

# DOOR SCHEDULE | DOOR NOTES | ROOM FINISH SCHEDULE

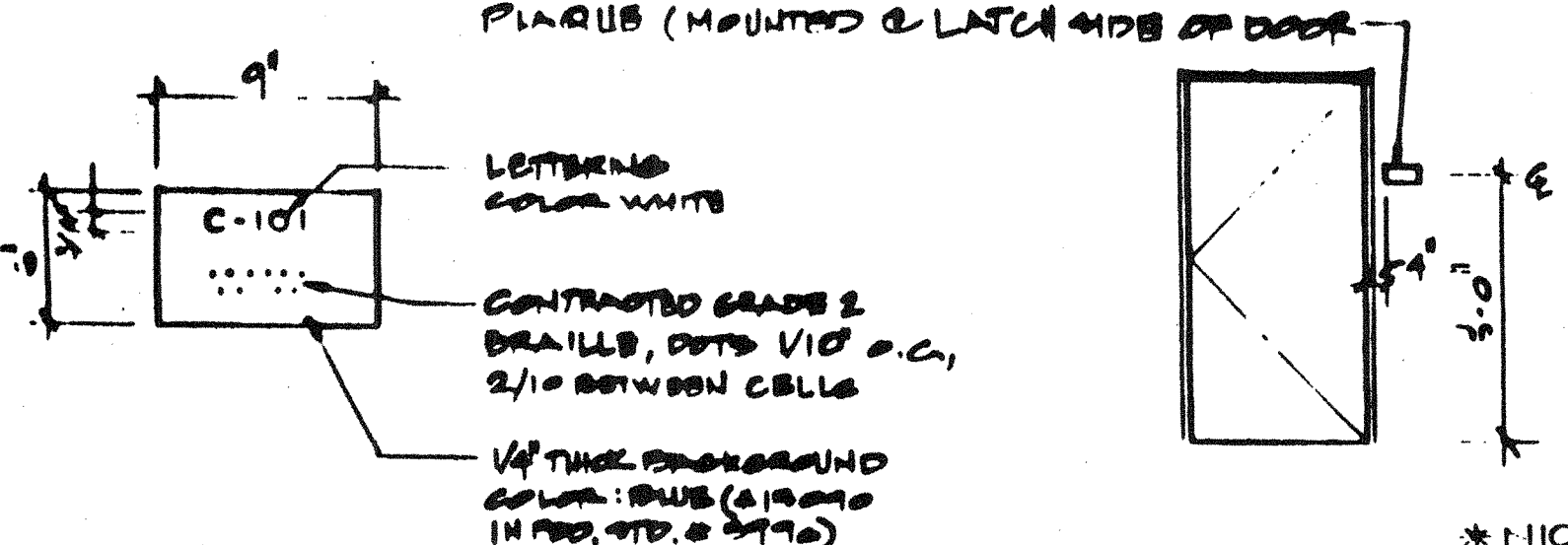
DOORS				FRAMES				NOTE NO.
DOOR NO.	FRAME OPENING SIZE	MATERIAL	TYPE	FIRE PROTECTION RATING	HARDWARE SET NO.	MATERIAL	HEAD DETAIL	
1	5'-0" X 6'-8"	H	A		1	H	10/A6.0/11/A6.0/1/A6.0	

**NOTES:**

- DOOR HANDLES FOR LOCKSETS TO BE CENTERED @ 56" AFF. & DEADBOLTS @ 44" AFF.
- HARDWARE TO BE OPENABLE FROM THE INSIDE WITHOUT ANY SPECIAL KNOWLEDGE OR EFFORT. LEVERS TO RETURN TO WITHIN 1/2" OF DOOR.
- ALL DOORS SHALL BE 1-3/4" THICK, UNO.
- DOUBLE LETTERS IN SCHEDULE, INDICATES A PAIR OF DOORS.
- SAFETY GLASS, CLEAR-
- HIRE GLASS-
- UNDERCUT DOOR-
- FIXED LOWER-
- PUSHPULL LOWER-
- VISION PANEL-
- CLOSURE SHALL BE SET FOR MAX. OPENING PRESSURE OF 0.5 LBS. EXTR. DR. & 5.0 LBS. INT. DR.

ROOM NO.	ROOM NAME OF AREA	FINISHES						REMARKS
		FLOOR	BASE	WALLS				
1	CLASSROOM	A	D	F	F	F	F	

MATERIAL & FINISH KEY	NOTES
Ⓐ - CARPET PER STATE OF CALIFORNIA SPEC. COMPLYING WITH GROUP 1, TYPE A OR TYPE B, CLASS 2, DENSITY 4600, DIRECT GLUE DOWN.	DOOR SPECS. EXTERIOR FRAME SPECS. SEE OTHER
Ⓑ - RESILIENT - SPECIFY OR EQUAL	
Ⓒ - VCT - ARMSTRONG STANDARD OR EXCELON	
Ⓓ - 4" BURKE TOPSET PADE	
Ⓔ - 6" BRISANTINE OR SANDOVAL	
Ⓕ - 1/2" VINYL TACKBOARD CLASS I OVER 1/2" GYP. BOARD BACKING	
Ⓖ - 1/2" H.R. GYP. BOARD TAPE TEXTURE WITH PAINTED FINISH	
Ⓗ - 5/8" H.R. GYP. BOARD TAPE TEXTURE WITH PAINTED FINISH	
Ⓘ - 1/2" GYP. BOARD TAPE TEXTURE WITH PAINTED FINISH	
Ⓚ - 5/8" GYP. BOARD TAPE TEXTURE WITH PAINTED FINISH	
Ⓛ - 1/8" MARLITE OVER 1/2" H.R. GYP. BOARD	
Ⓜ - ACCOUTICAL LAY IN GRID CEILING PANELS (SEE SPECIFICATIONS)	



**ABBREVIATIONS**

- HM - HOLLOW METAL
- AL - ALUMINUM
- SS - STAINLESS STEEL
- STL - STEEL
- WMF - WINDOW WALL FRAME
- SC - SOLID CORE WOOD
- HC - HOLLOW CORE WOOD
- SCL - SOLID CORE WOOD (LEGACY)

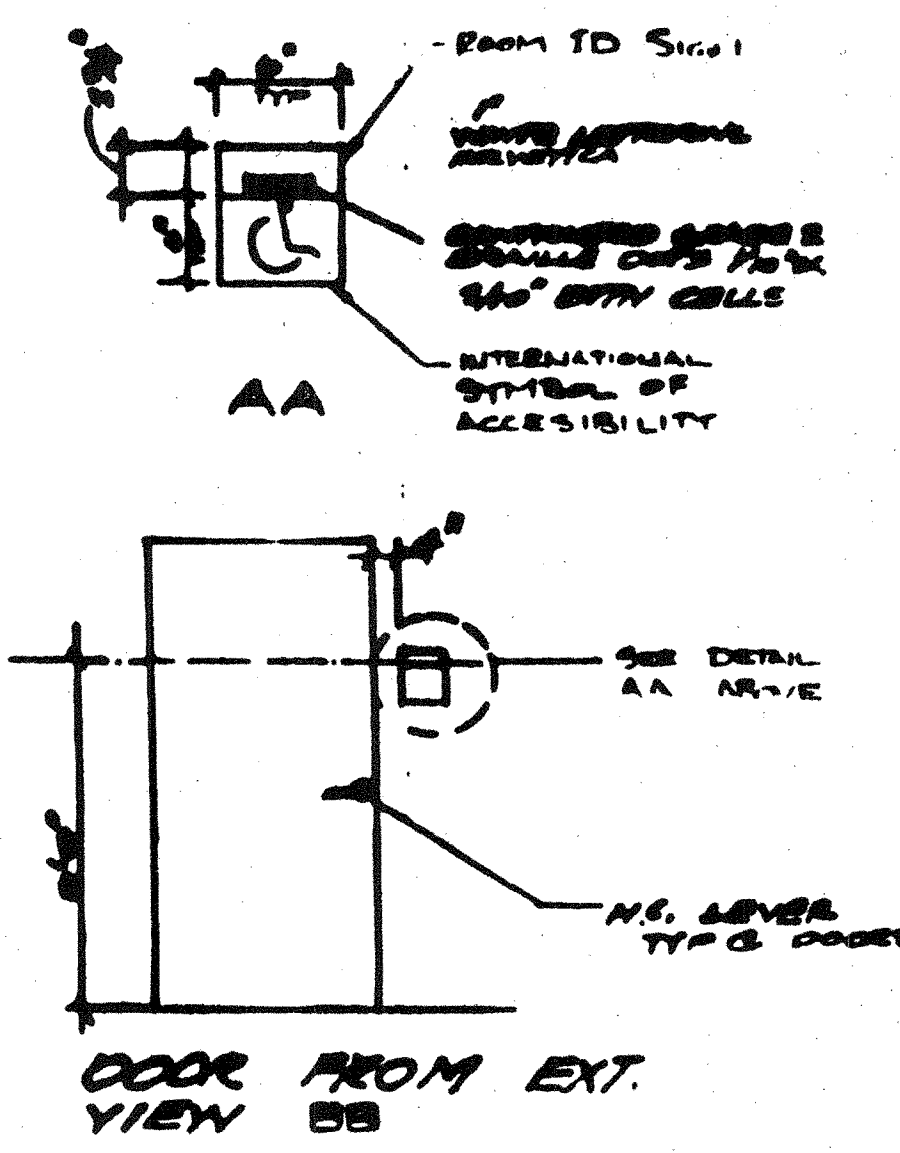
## DOOR IDENTIFICATION @ ALL MAIN ENTRY DOORS (CLASSROOMS INCLUDED)

WINDOW SCHEDULE					
QTY.	WIDTH	HEIGHT	TYPE	FINISH	GLASS TYPE
2	6'-0"	4'-0"	1	ANODIZED	1/32" MIN SOLAR GRAY 46%

**NOTE FOR ALL EXIT DOORS**

ALL EXIT DOORS SHALL BE OPENABLE FROM THE INSIDE WITHOUT THE USE OF A KEY OR ANY SPECIAL KNOWLEDGE OR EFFORT

**NOTE**  
SIGNAGE IS N.I.C.



## NOTES

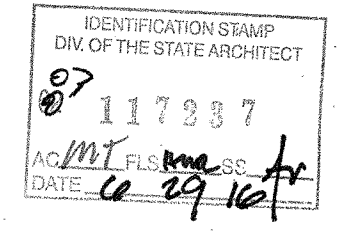
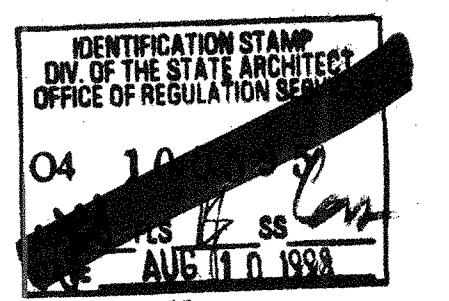
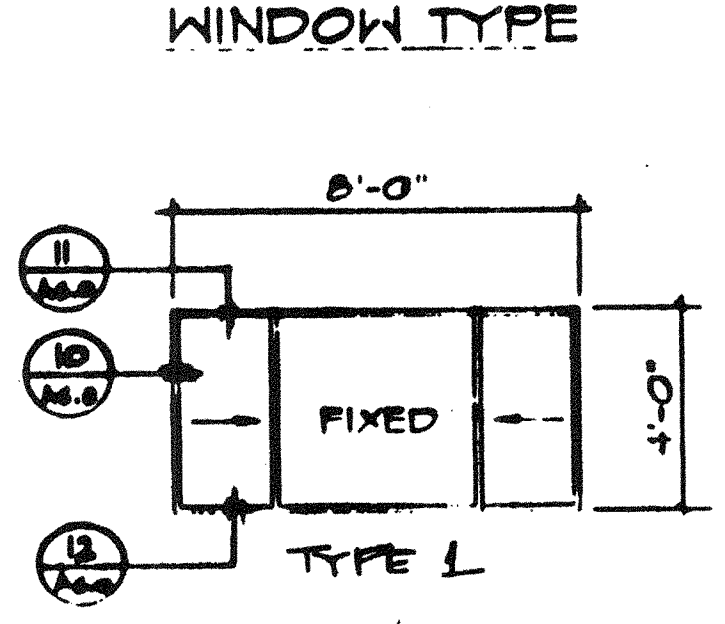
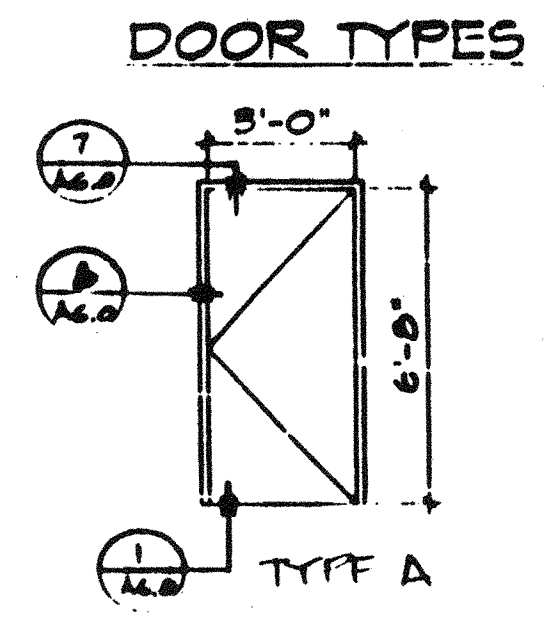
**PREP. FOR SUB-FLOOR FINISH:**

PREPARATION FOR SUB FLOOR TO ACCEPT FINISH FLOORING IS BY FLOORING CONTRACTOR. PLYWOOD SUB FLOOR IS 2" PLYWOOD. OUTER PLY IS PLUGGED AND TOUCH Sanded, ANY DEFORMITIES DUE TO STANDARD CONSTRUCTION PRACTICES SHALL BE FILLED AND Sanded BY FLOORING CONTRACTOR. THE JOINT AT THE MODULE JOINING SHALL NOT BE LARGER THAN 1/8" AND SHALL BE FILLED AND Sanded BY FLOORING CONTRACTOR.

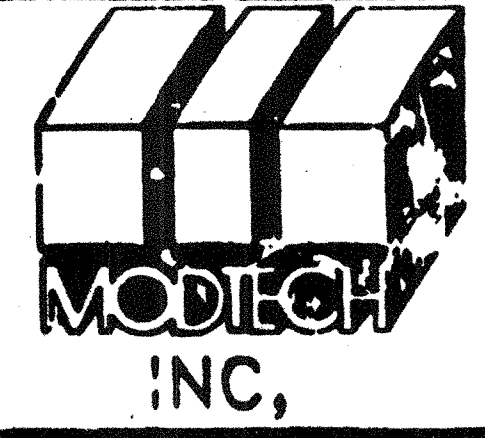
**EXTERIOR FINISH:** EXTERIOR PLYWOOD SIDING APA COMPARABLE, RATED B-C GRADE EXTERIOR TYPE SIDING. PANEL THICKNESS SHALL BE A MINIMUM OF 1/2". SHEATHING NAIL W/ GALV. BOX NAILS. Ad @ 6" O.C. STAPLES. Bd @ 12" O.C. IN FIELD.

STYLE: PLAIN, V-GRAINED, OR REVERSE FINISH (SEE SPECIFICATIONS)

HARDWARE SCHEDULE	
<b>HARDWARE PACKAGE #1</b>	
LOCKSET - TRIMMED DEAD W/ FINISH LEVER OR FINIAL	
BUTTS - 1-1/2 PR HAGER 1274 4-1/2 X 4-1/2 26D OR EQUAL	
CLOSER - NORTON 8501 BT, CAL ROYAL 900B OR EQUAL	
THRESHOLD - FEMKO 271A OR EQUAL. @ 1/4" @ 1/4"	
DOOR BOTTOM - FEMKO 216AV OR EQUAL	
WEATHERSTRIP - FEMKO 244AV OR EQUAL	
<b>HARDWARE PACKAGE #2 (INTERIOR)</b>	
LOCKSET - (PASSAGE) CAL ROYAL LX-00 GRADE 1 OR EQUAL WITH PUSH LEVER	
BUTTS - 1-1/2 PR HAGER 1274 4-1/2 X 4-1/2 26D	
<b>HARDWARE PACKAGE #3 (INTERIOR-OFFICE LOCKABLE)</b>	
LOCKSET - CAL ROYAL LX-00 GRADE 1	
BUTTS - 1-1/2 PR HAGER 1274 4-1/2 X 4-1/2 26D	
<b>HARDWARE PACKAGE #4 (INTERIOR-BATH/PRIVATE)</b>	
LOCKSET - CAL ROYAL LX-00 GRADE 1	
BUTTS - 1-1/2 PR HAGER 1274 4-1/2 X 4-1/2 26D	
<b>HARDWARE PACKAGE #5 (INTERIOR-STORAGE)</b>	
LOCKSET - CAL ROYAL LX-04 GRADE 1	
BUTTS - 1-1/2 PR HAGER 1274 4-1/2 X 4-1/2 26D	
FINISH HARDWARE: CAL ROYAL 8000 OR EQUAL	



ARCHITECT	ELECTRICAL	STRUCTURAL	MECHANICAL	FIRE MARSHAL	ACCESS COMPLIANCE	STRUCTURAL SAFETY



STKP-39	4012-084	2926	2867	2926	A5.0
FINISH SCHEDULE					