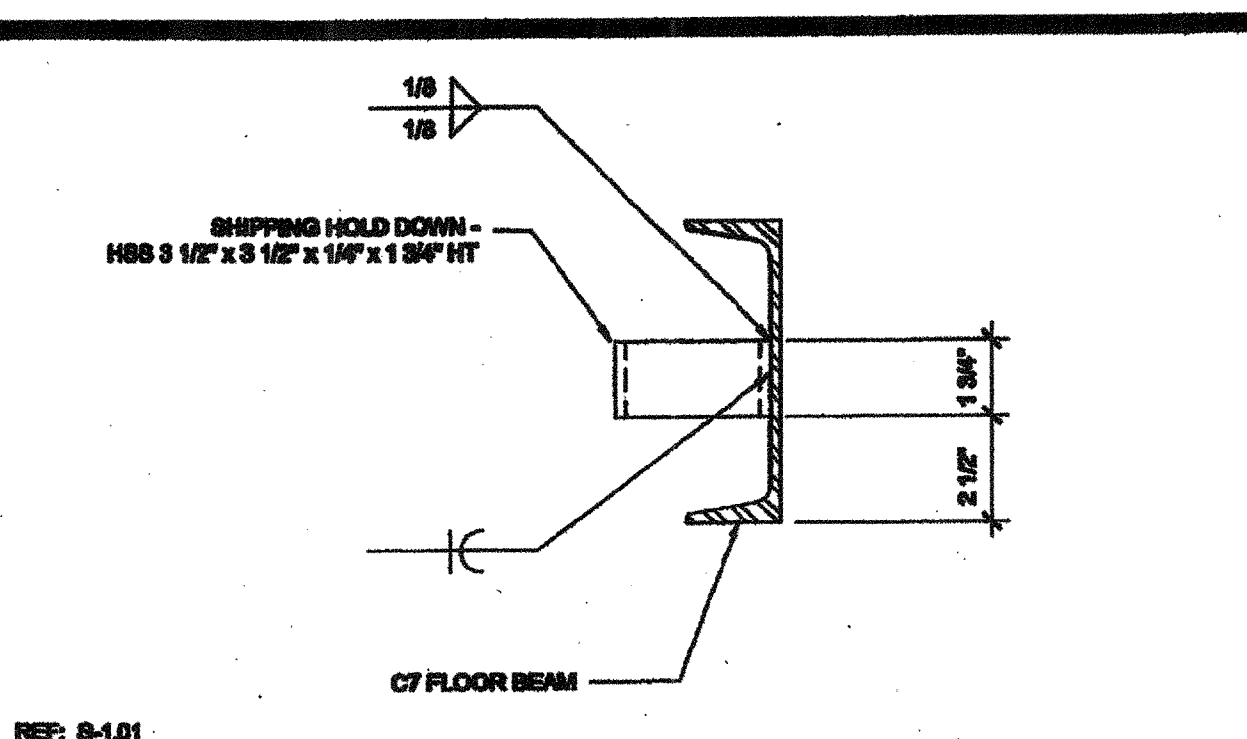
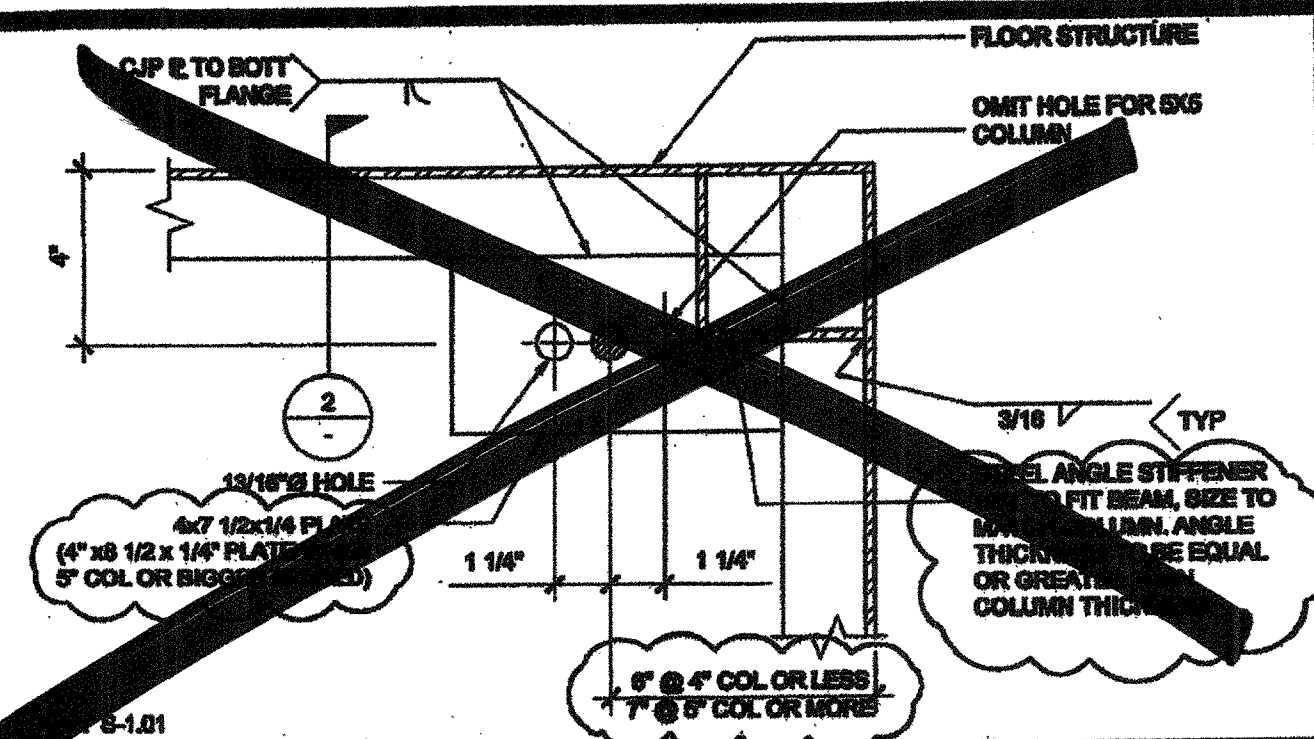


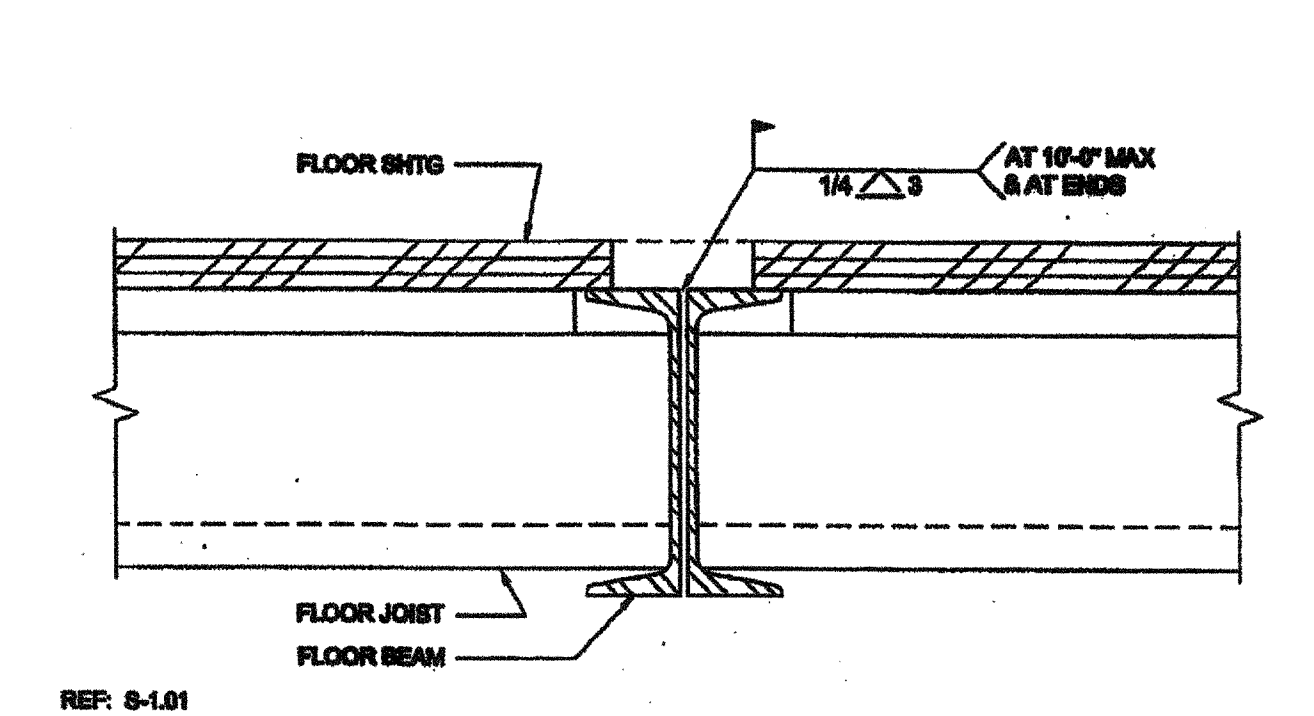
16 MODULE LINE - BOLTED CONNECTION SCALE: 3" = 1'-0"



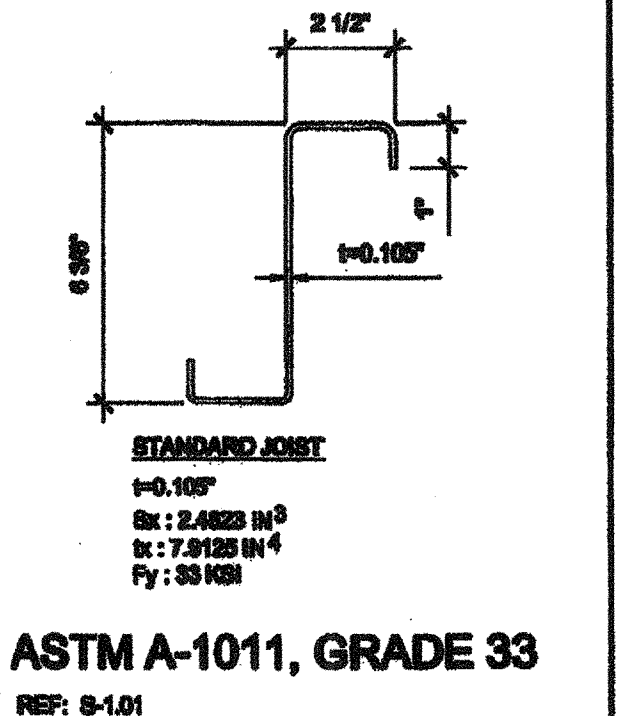
11 SHIPPING HOLD DOWN DETAIL SCALE: 3" = 1'-0"



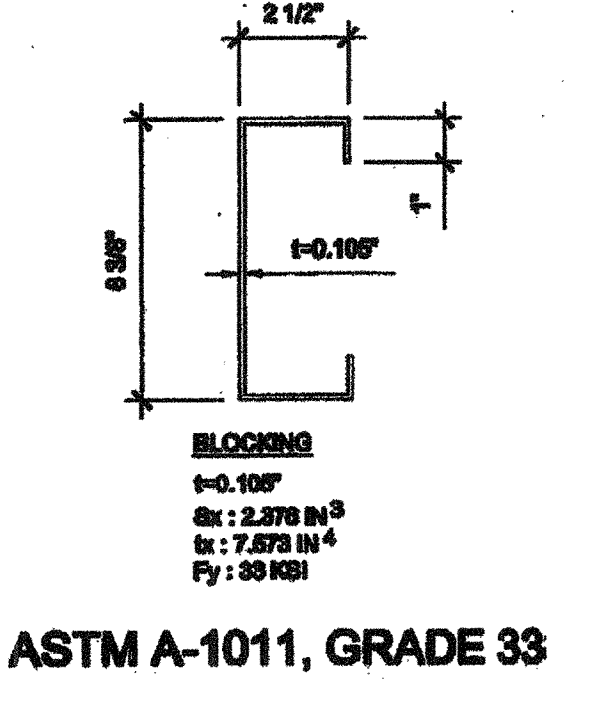
6 CORNER ANCHOR PLATE SCALE: 3" = 1'-0"



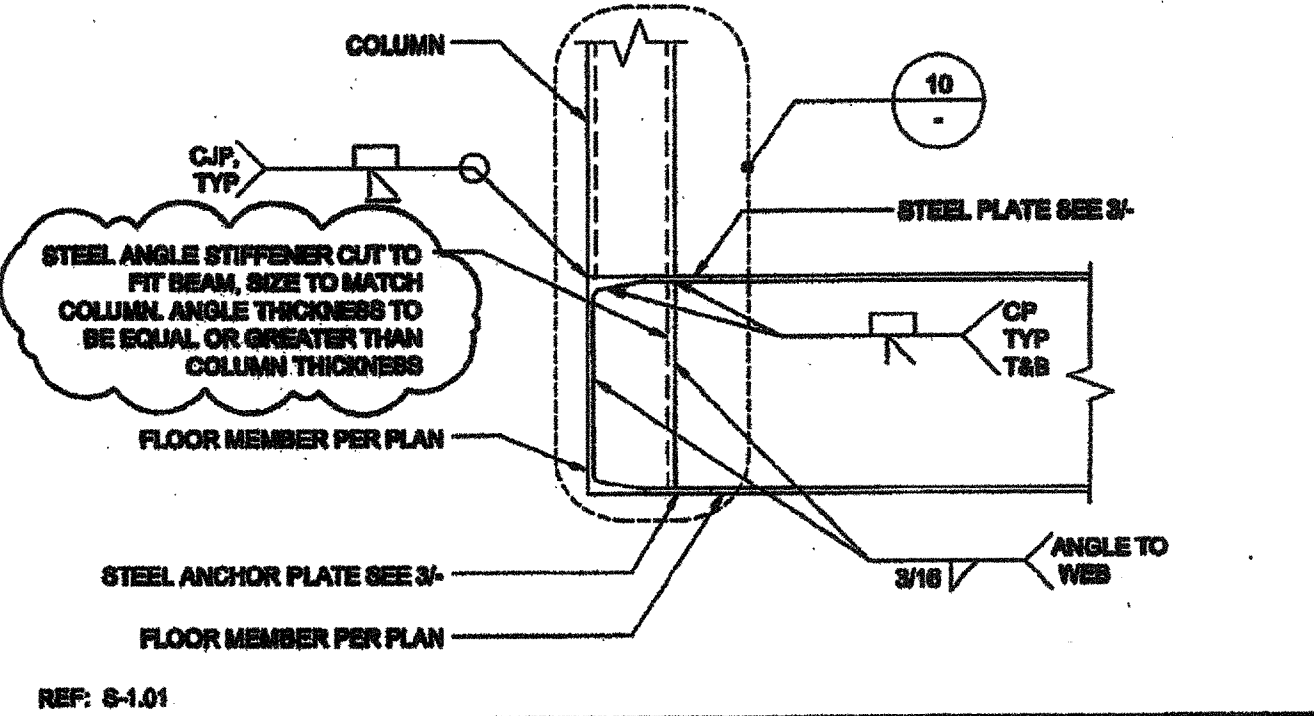
17 MODULE LINE CONNECTION (OPTION 1) SCALE: 3" = 1'-0"



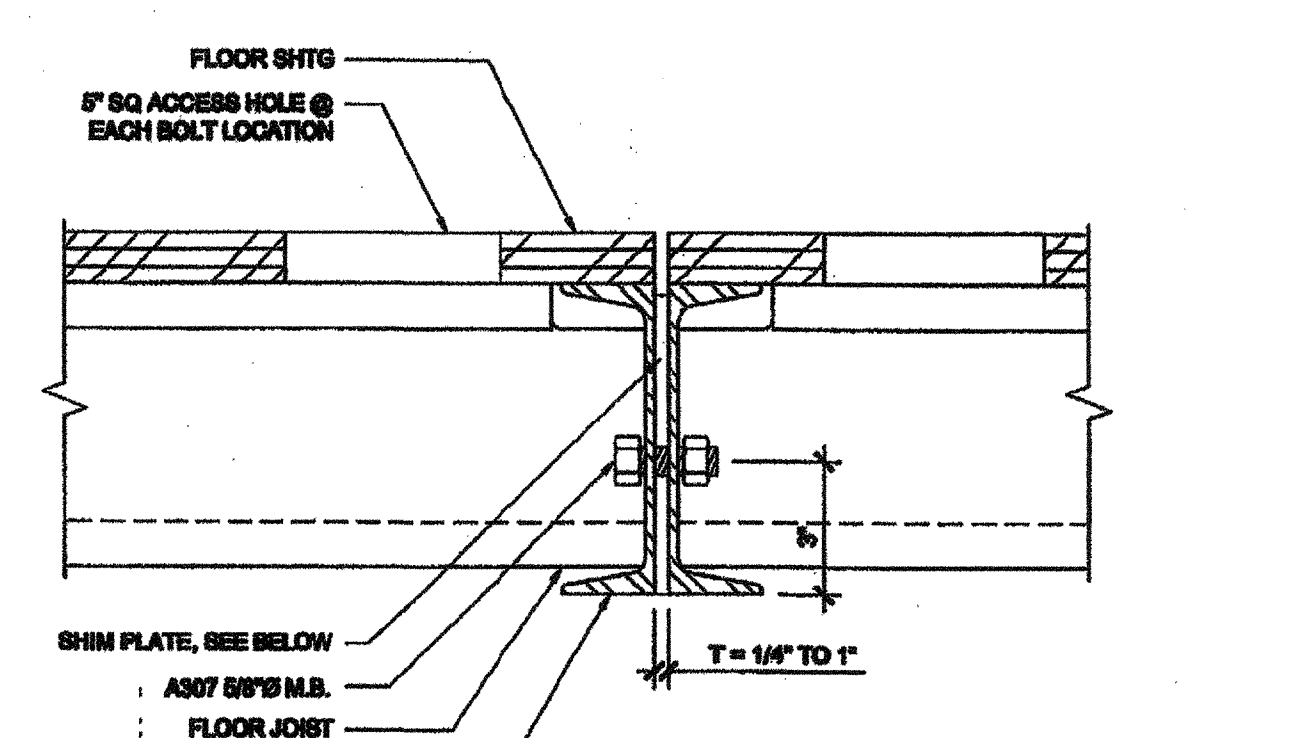
12 FLOOR JOIST SCALE: 3" = 1'-0"



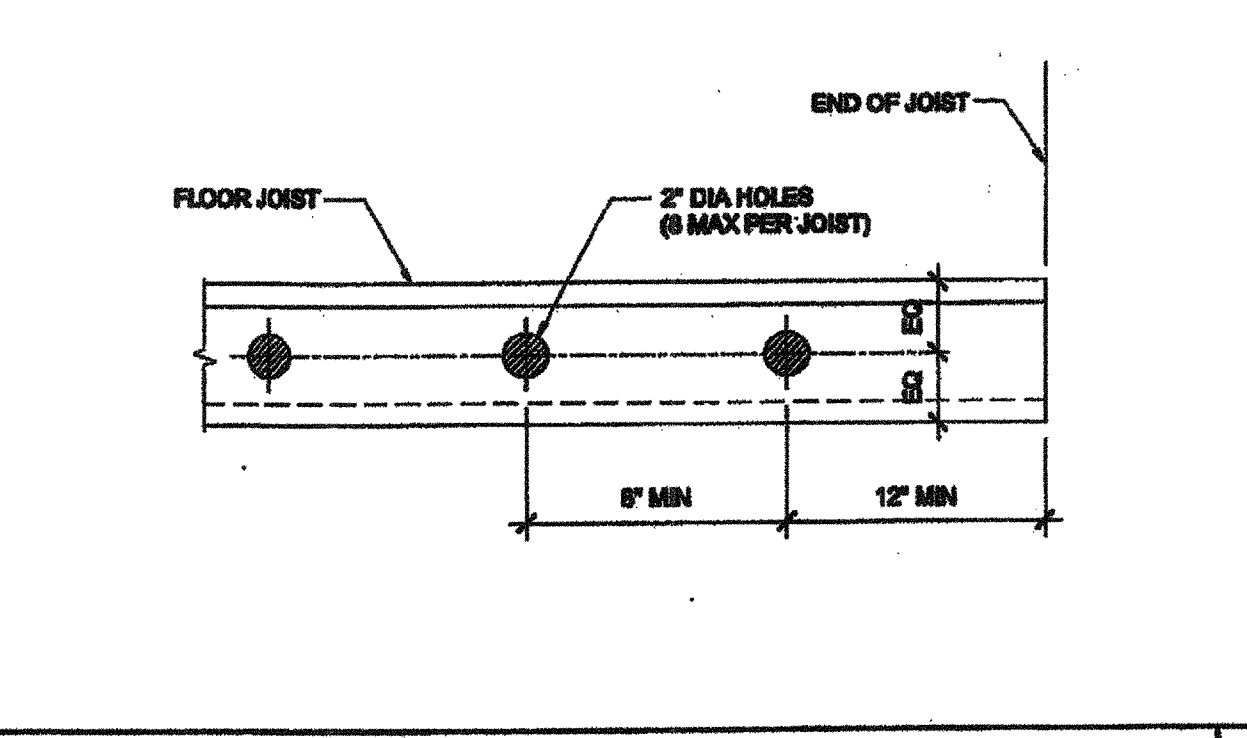
7A BLOCKING SCALE: 3" = 1'-0"



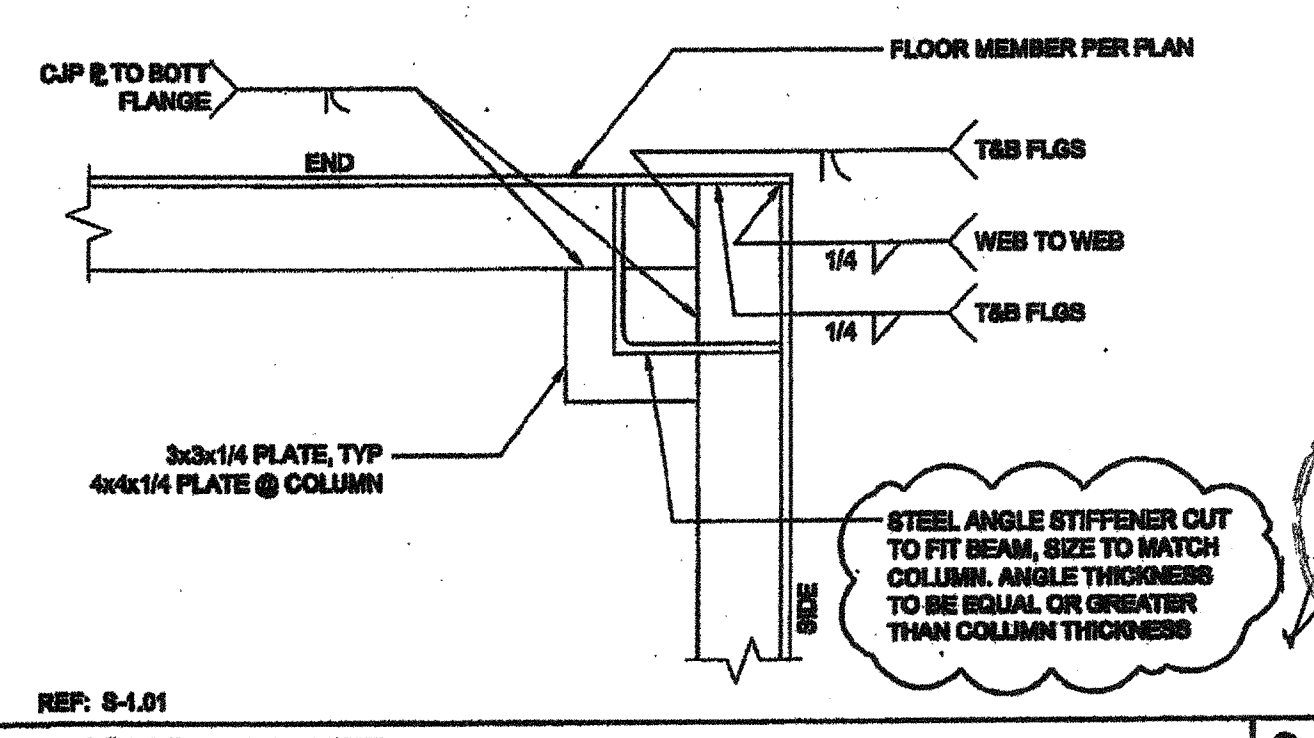
7A FLOOR BEAM TO COLUMN CONNECTION SCALE: 1 1/2" = 1'-0"



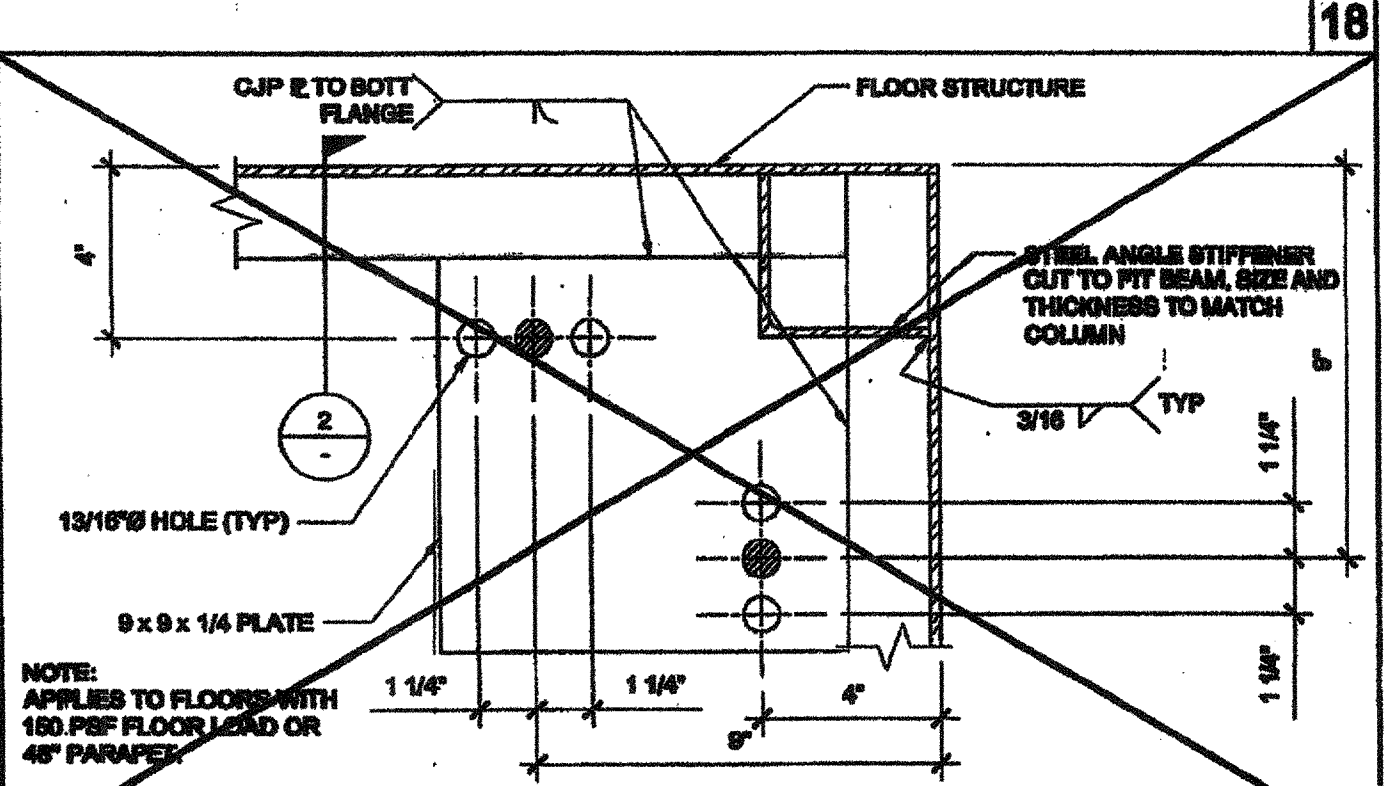
18 MODULE LINE CONNECTION (OPTION 2) SCALE: 3" = 1'-0"



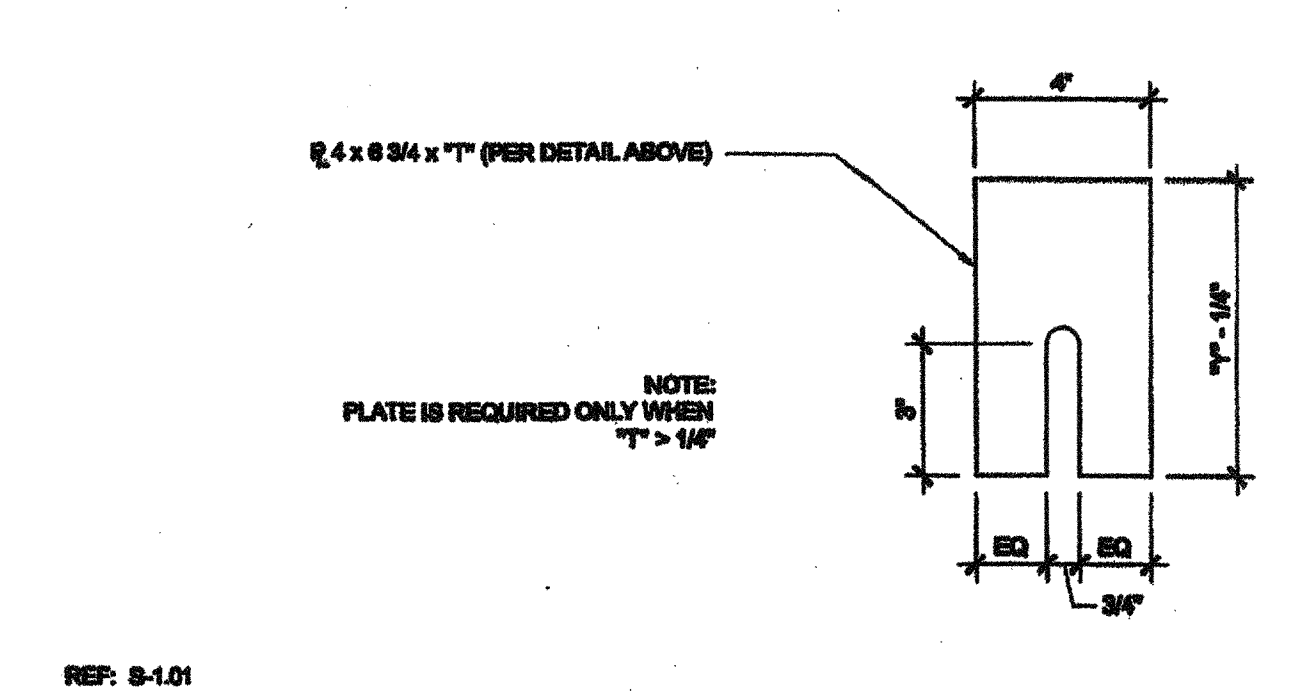
8 FLOOR JOIST HOLES (OPTIONAL) SCALE: 1/8" = 1'-0"



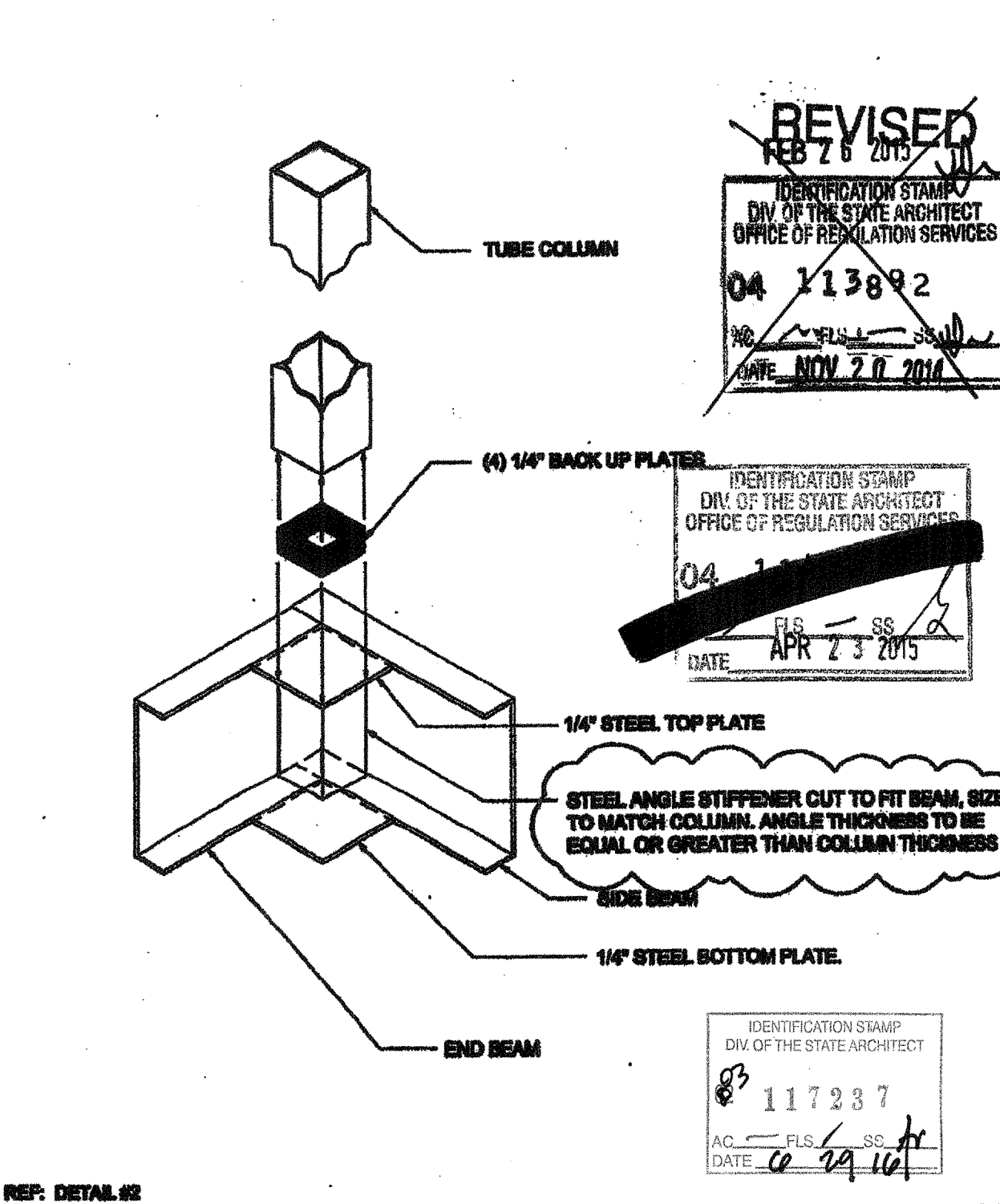
3 ANCHOR PLATE SCALE: 3" = 1'-0"



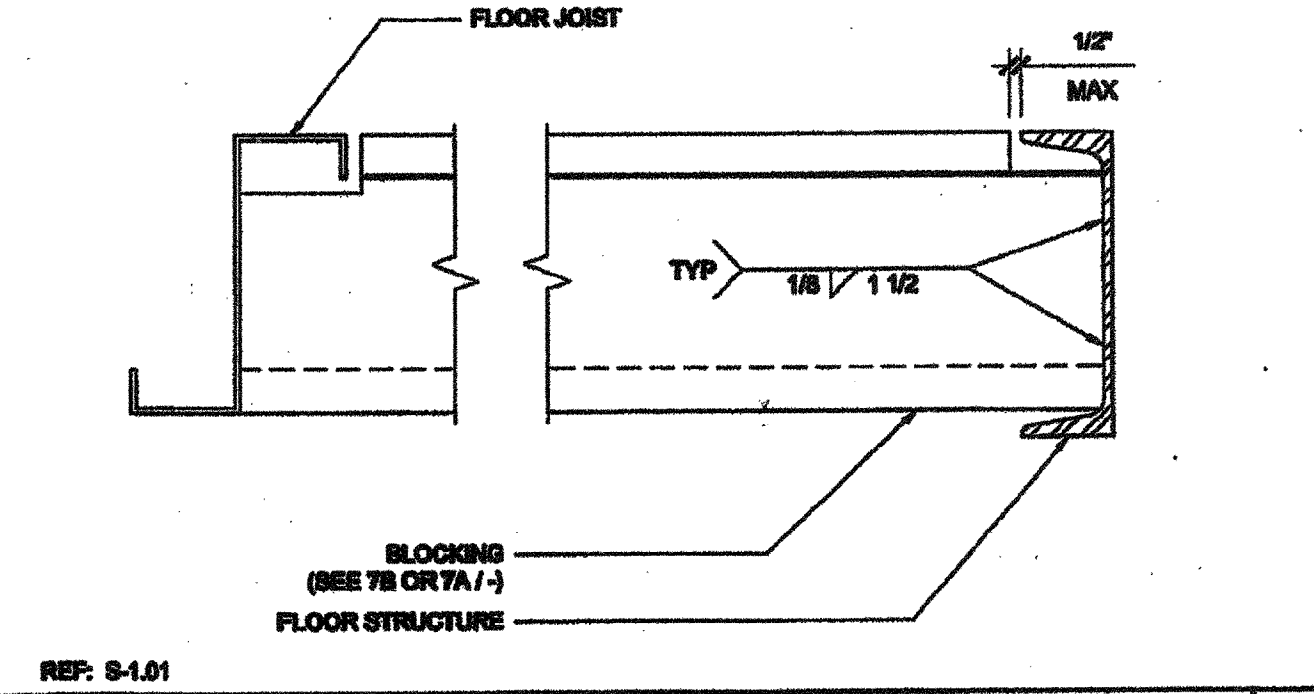
19 CORNER ANCHOR PLATE SCALE: 3" = 1'-0"



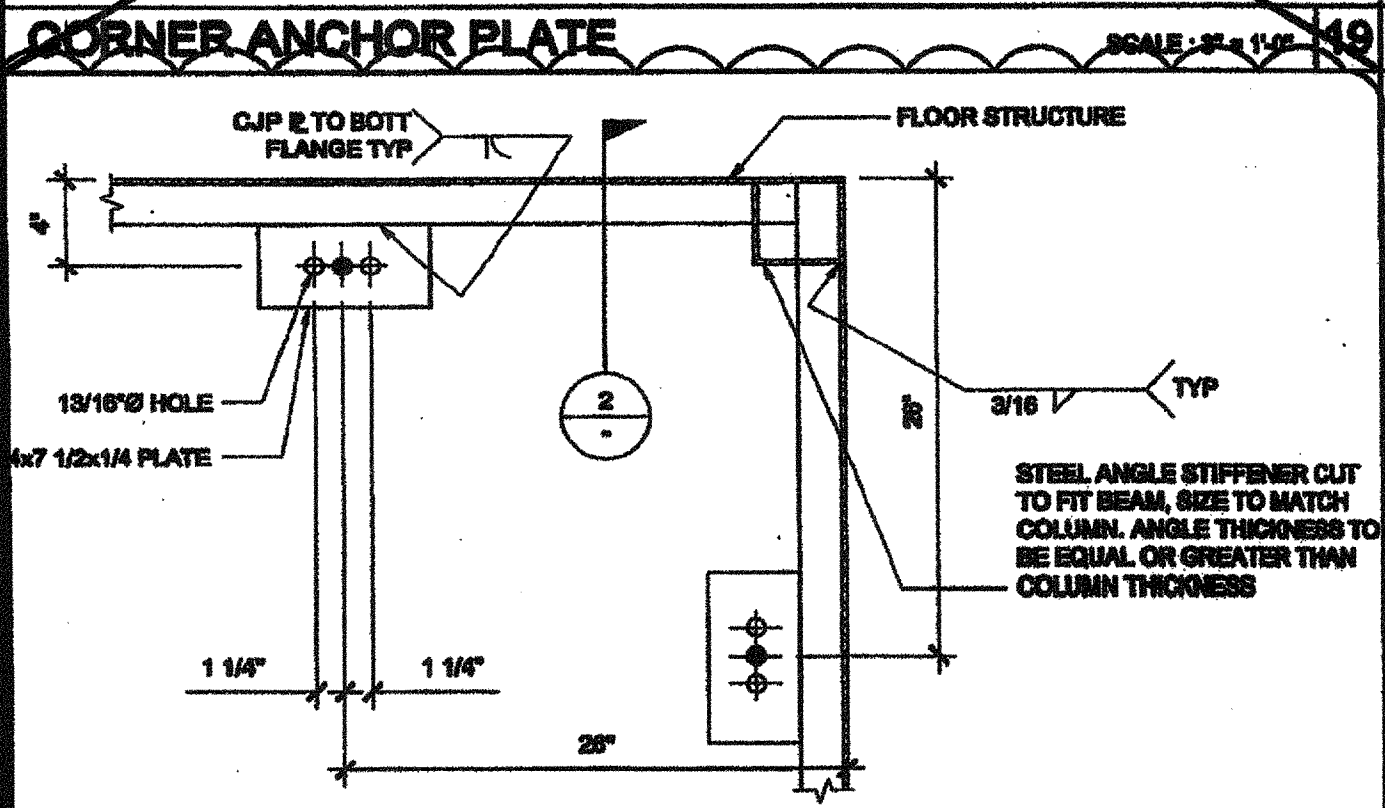
14 MODULE LINE CONNECTION (OPTION 2) SCALE: 3" = 1'-0"



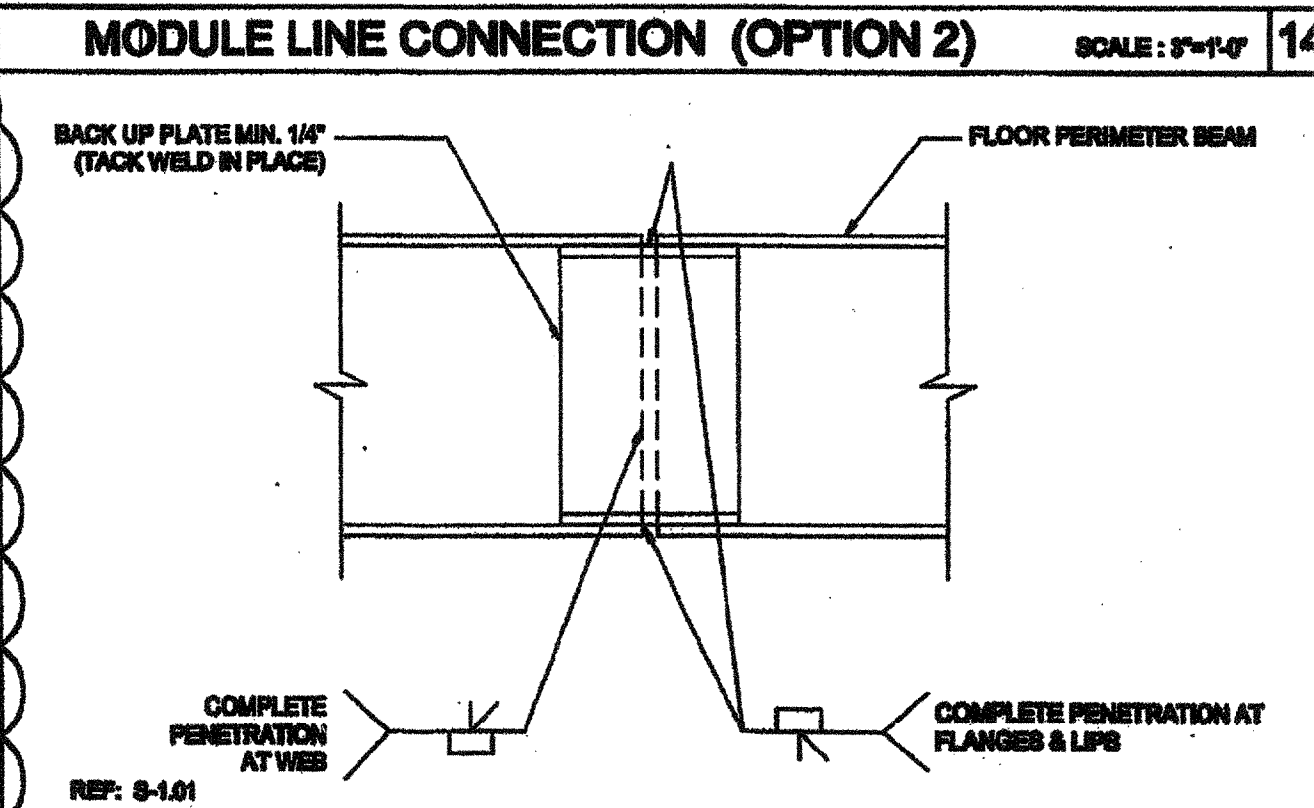
15 COLUMN CONNECTION AT FLOOR SCALE: NTD



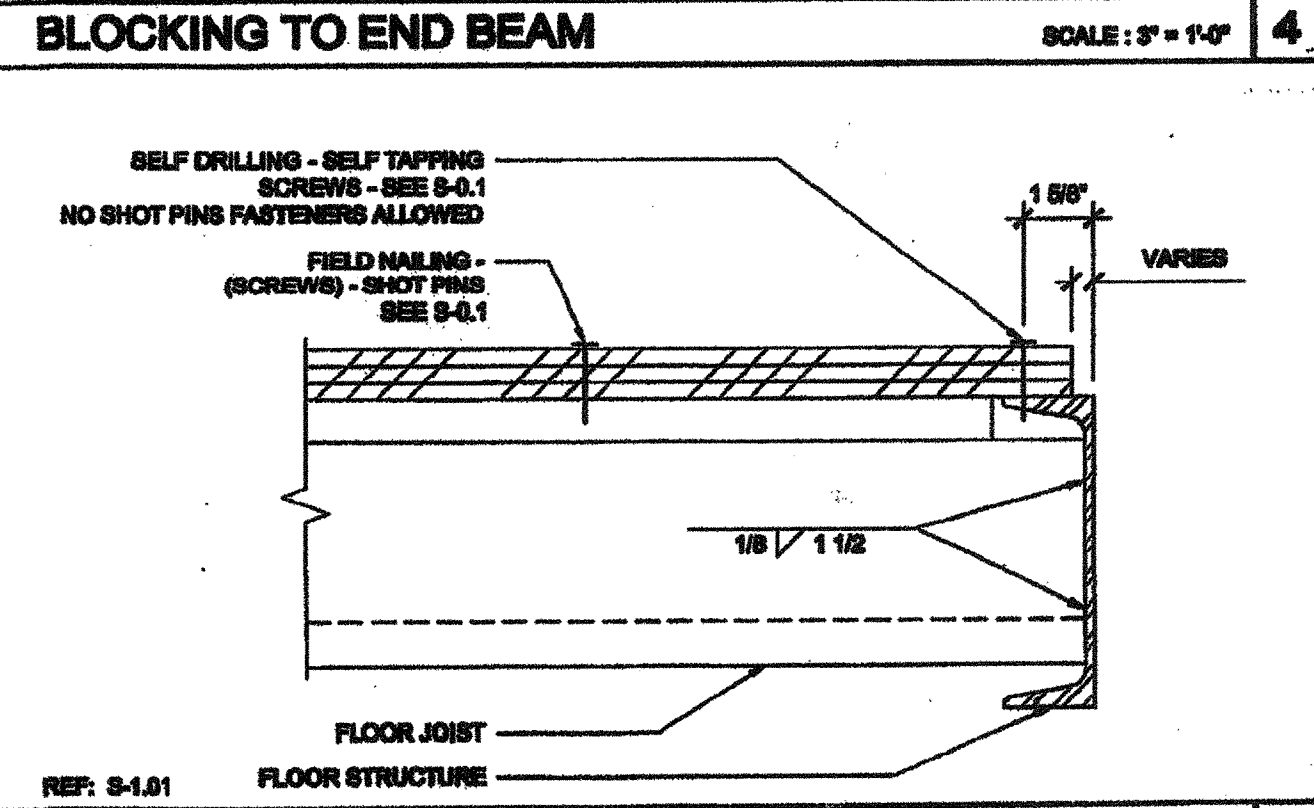
4 BLOCKING TO END BEAM SCALE: 3" = 1'-0"



20 CORNER ANCHOR PLATE SCALE: 3" = 1'-0"



15 FLOOR BEAM SPLICE SCALE: 3" = 1'-0"



5 JOIST TO SIDE BEAM SCALE: 3" = 1'-0"

THESE DRAWINGS AND ALL MATERIAL CONTAINED HEREIN ARE THE PROPERTY OF SILVERCREEK INDUSTRIES, INC. (SCI) AND SHALL NOT BE REPRODUCED, COPIED OR OTHERWISE DISPOSED OF DIRECTLY OR INDIRECTLY AND SHALL NOT BE USED IN WHOLE OR IN PART TO ASSIST IN THE MAKING OF OR FOR THE PURPOSE OF FURNISHING ANY INFORMATION FOR THE MAKING OF DRAWINGS, PRINTS, APPARATUS OR PARTS THEREOF WITHOUT THE FULL KNOWLEDGE AND WRITTEN CONSENT OF SCI INC. ALL PATENTABLE MATERIAL CONTAINED HEREIN AND ORIGINATING WITH SCI INC. SHALL BE THE PROPERTY OF SCI INC.

**SILVER CREEK INDUSTRIES, INC.**

**SILVER CREEK**

BUILDING FOR THE NEXT GENERATION

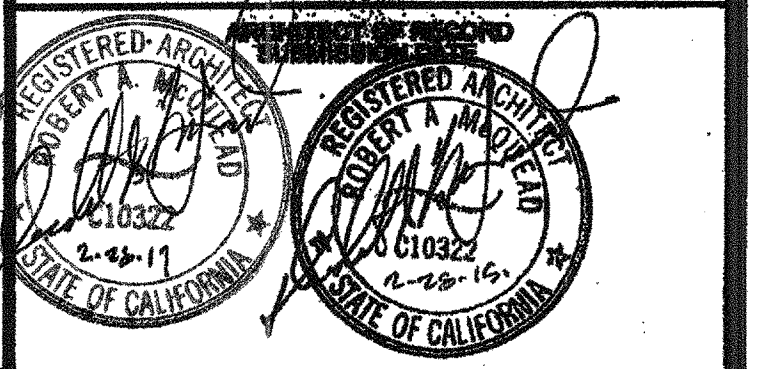
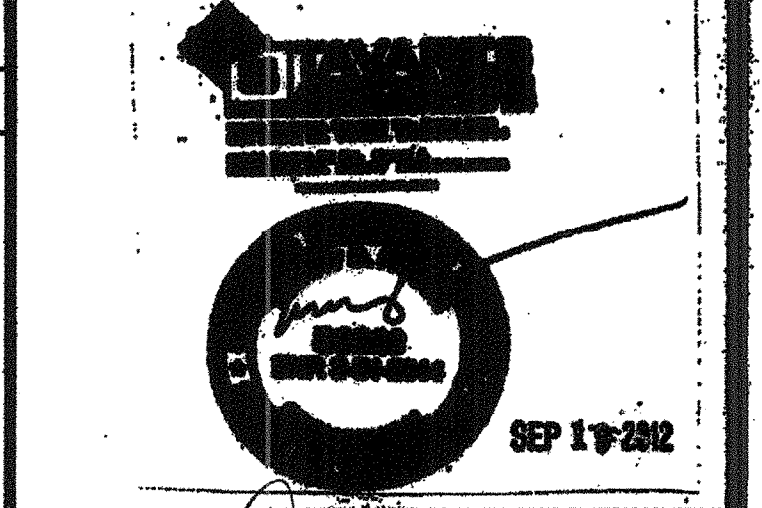
175 EAST MORRIS AVENUE, CALIFORNIA 92571  
PHONE: 951-943-8888 FAX: 951-943-2211

PROJECT NAME:

**CLASS LEASING CLASSROOM BLDG'S**

SHEET TITLE:

**FLOOR FRAMING DETAILS WOOD FLOOR**



PROJECT SPECIFIC STATE AGENCY APPROVAL

IDENTIFICATION STAMP  
DIV. OF THE STATE ARCHITECT  
OFFICE OF REGULATION SERVICES  
04 113892  
DATE: NOV 20 2014

ORIGINAL PC STATE AGENCY APPROVAL

PC 112072  
DATE: APR 23 2015

REVISED

SILVER CREEK INDUSTRIES  
24' x 40' PC

PROJECT NO:

DRAWN BY:

SCALE: AS NOTED

DATE: 12-12-12

P.C. SHEET NUMBER:

**S-1.50** STKP 140