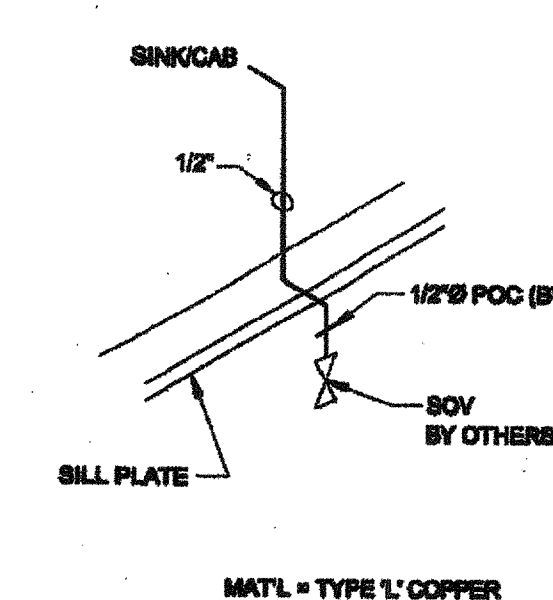
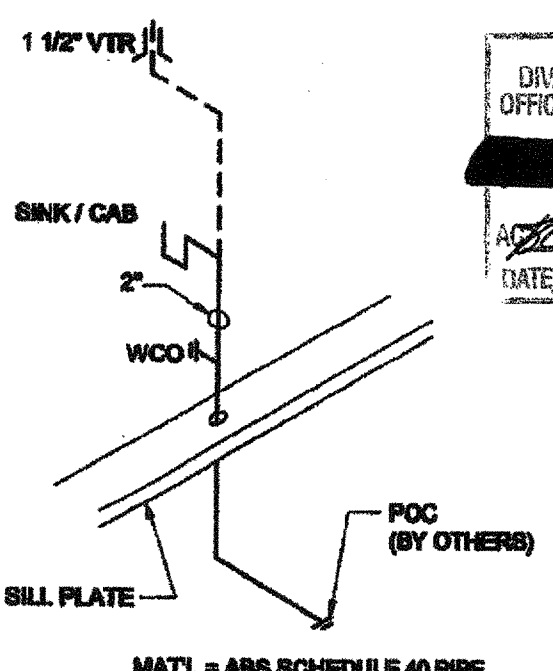


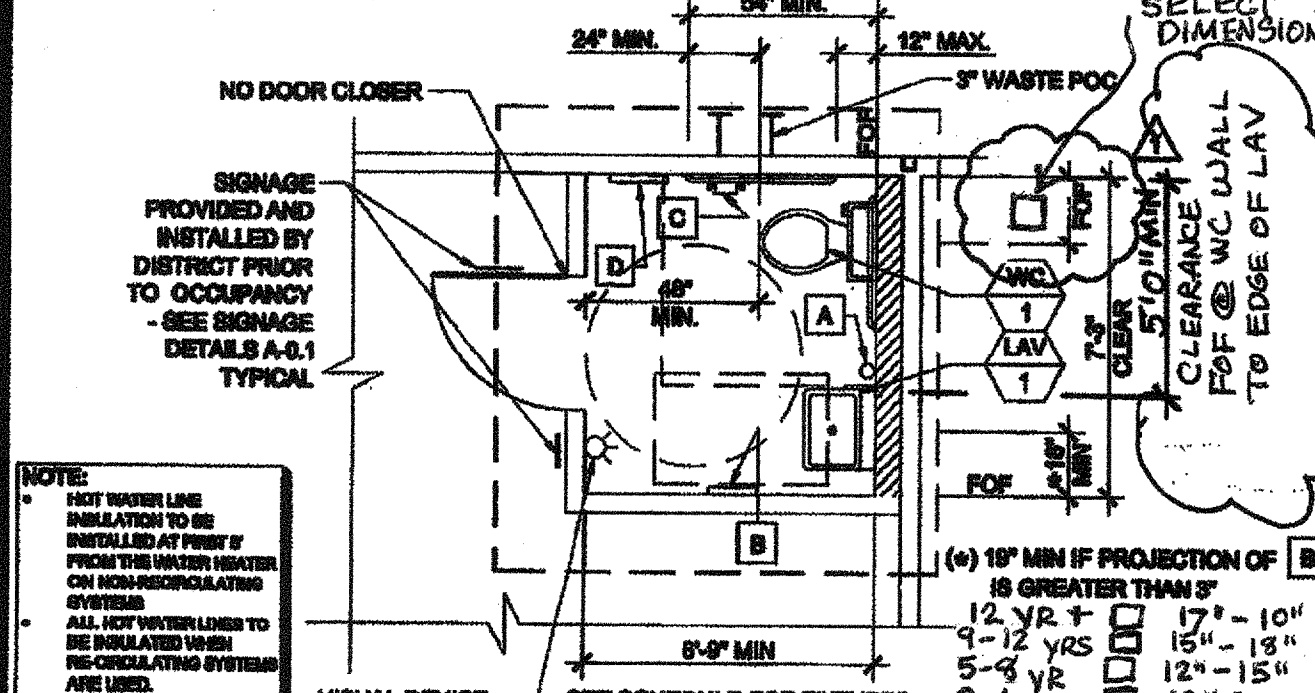
TYPICAL SINK CABINET SEE NOTE 'A' ON FLOOR PLANS



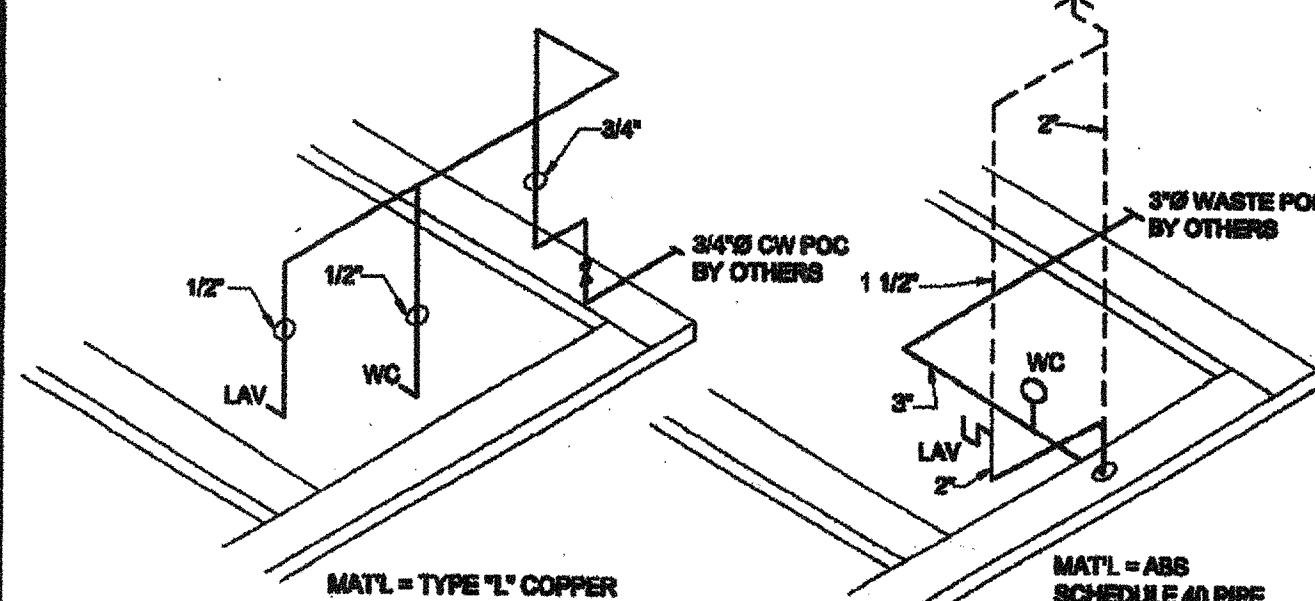
SINK CABINET COLD WATER SUPPLY



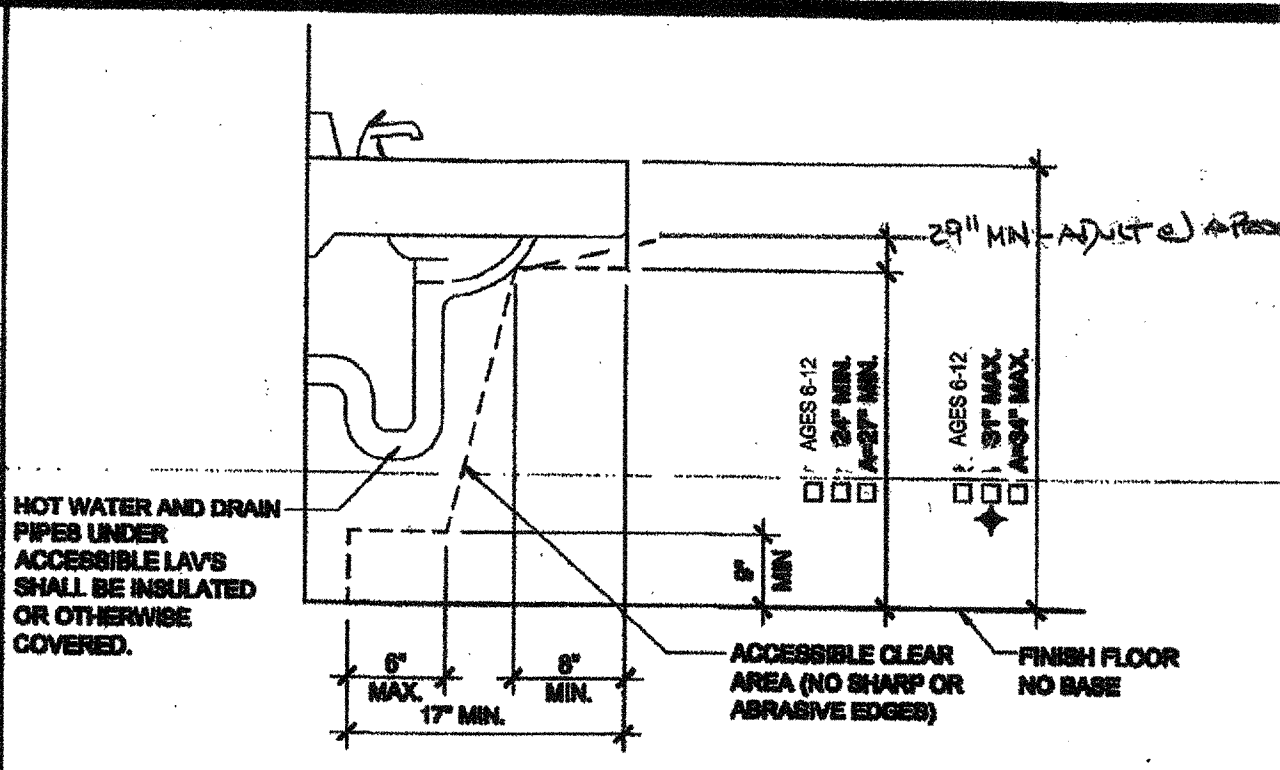
SINK CABINET WASTE



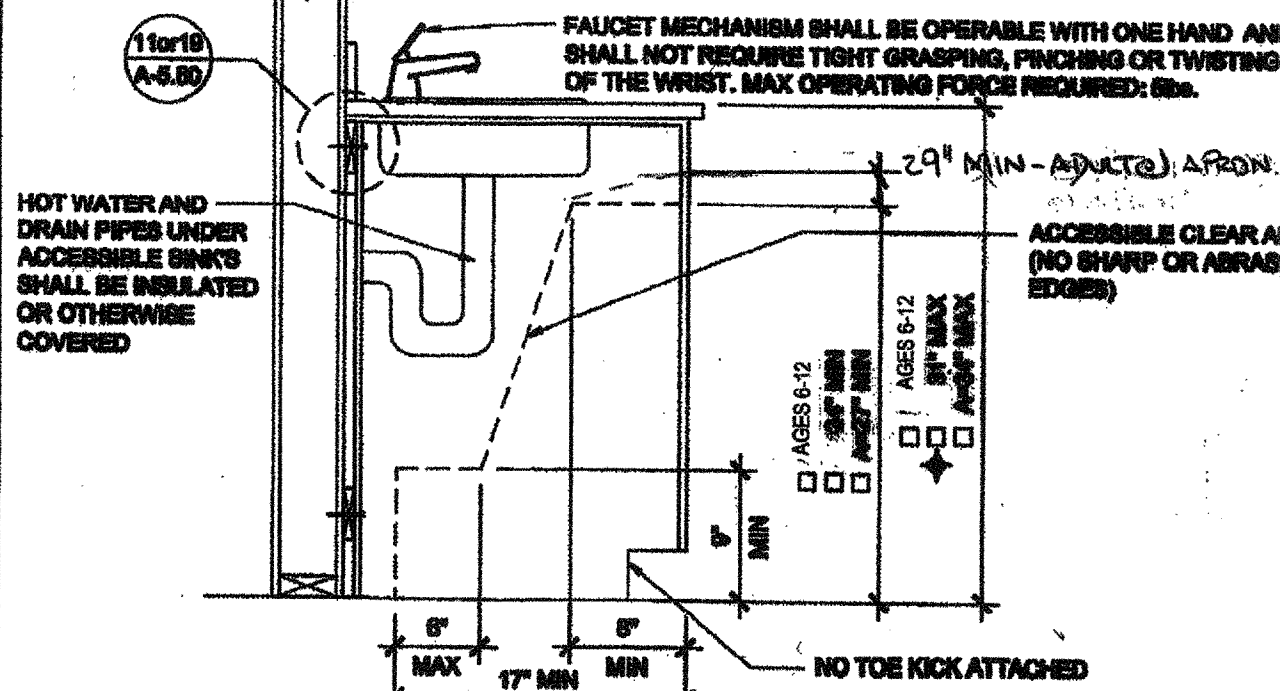
TYPICAL TOILET ROOM PLAN



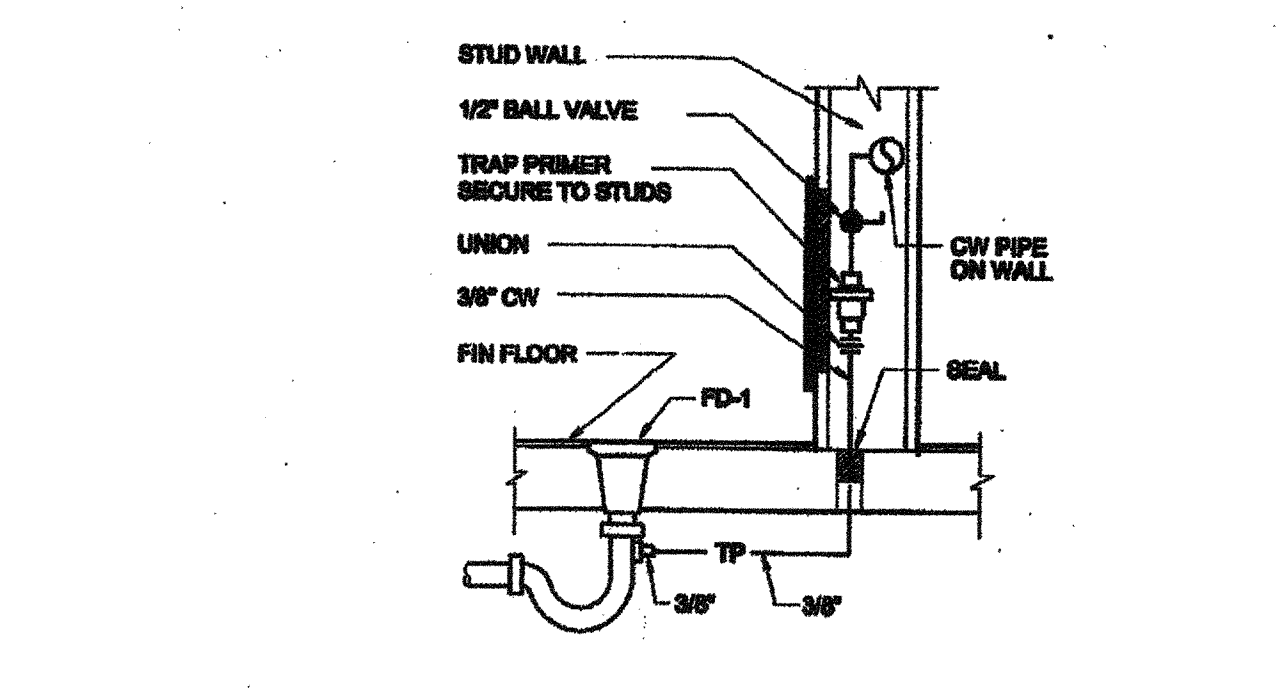
TOILET ROOM COLD WATER SUPPLY AND WASTE



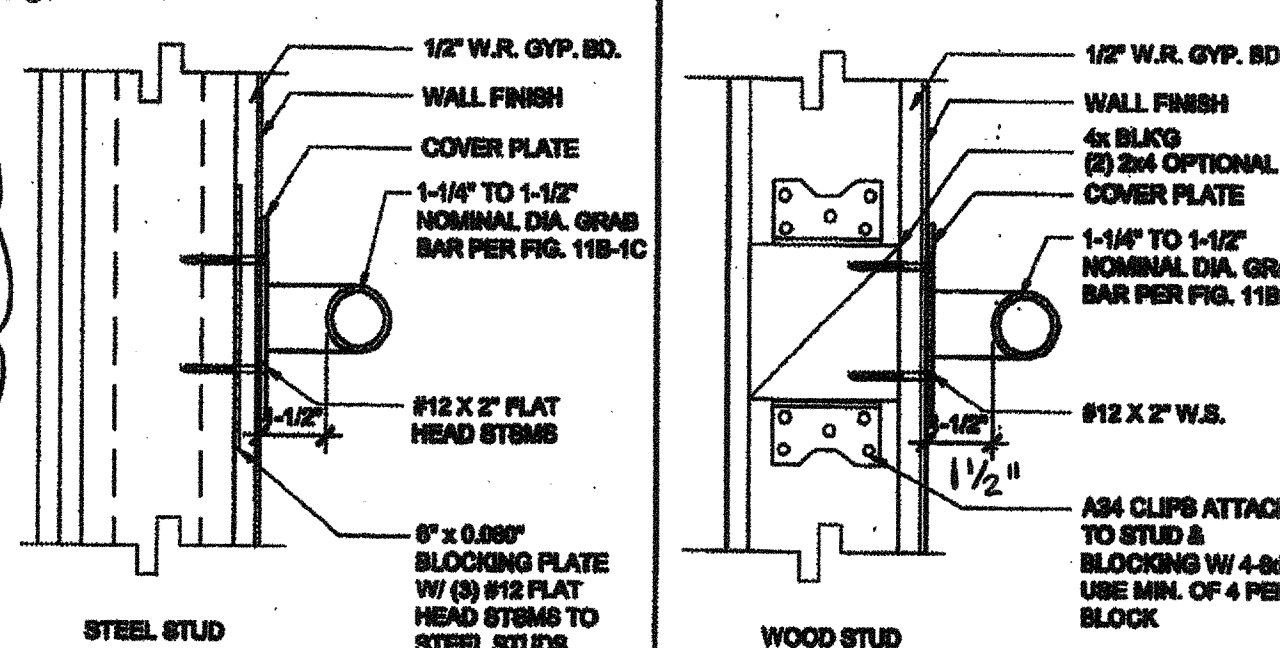
ACCESSIBLE LAV CLEARANCE



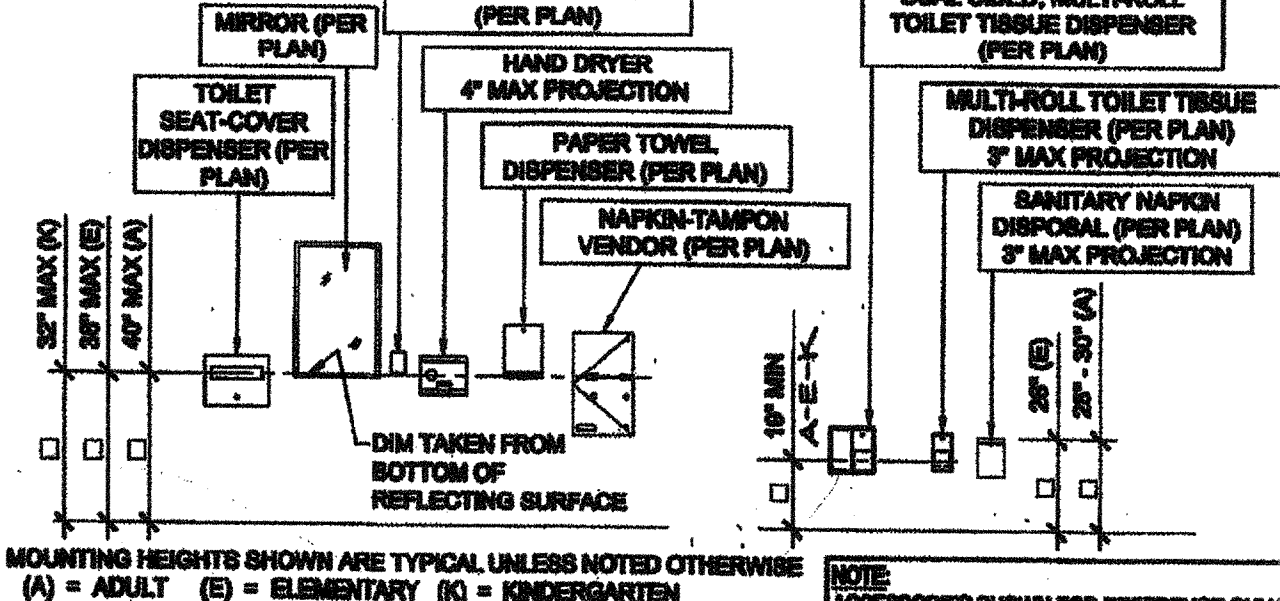
ACCESSIBLE SINK CABINET (OPTION)



TRAP PRIMER TO FLOOR DRAIN



GRAB BAR CONNECTION DETAIL



TOILET ACCESSORIES MOUNTING HEIGHTS

* 34"-38" (Barriers) Lower Hand Rail May Be Added.

THE DIVISION OF THE STATE ARCHITECT, OFFICE OF REGULATION SERVICES RECOMMENDS THE FOLLOWING DIMENSIONS AS ADEQUATELY SERVING THE NEEDS OF CHILDREN IN PROJECTS UNDER THEIR JURISDICTION. THESE RECOMMENDATIONS ARE BASED ON TABLE 11B-804.9 SUGGESTED DIMENSIONS FOR WATER CLOSETS SERVING CHILDREN AGES 3 TO 12.

ACCESSIBILITY DIMENSIONS	ADULT	11B-804.9 SUGGESTED DIMS			
		AGES 3 THROUGH 5	AGES 6 THROUGH 8	AGES 9 THROUGH 11	AGES 12 AND 4
TOILET CENTERING FROM WALL	17" - 18"	17"	17"	17"	17"
TOILET SEAT HEIGHT (DIM TO TOP OF SEAT)	17" - 19"	17"	17"	17"	17"
GRAB BAR HEIGHT (TO TOP)	33" - 36"	33"	33"	33"	33"
TOILET PAPER IN FRONT OF TOILET	7" - 9"	7"	7"	7"	7"
NAPKIN DISPOSAL IN FRONT OF TOILET	12" MAX.	12"	12"	12"	12"
MIRROR HEIGHT (TO BOTTOM OF GLASS)	40" MAX.	40"	40"	40"	40"
DISPENSER HEIGHT	19" MIN.	19"	19"	19"	19"
LAVATORY/SINK TOP HEIGHT	34" MAX.	34"	34"	34"	34"
LAVATORY/SINK KNEE CLEARANCE	27" MIN.	27"	27"	27"	27"
LAVATORY LIP HEIGHT	17" MAX.	17"	17"	17"	17"
URINAL FLUSH HANDLE HEIGHT	44" MAX.	44"	44"	44"	44"
DRINKING FOUNTAIN BUBBLER HEIGHT	38" MAX.	38"	38"	38"	38"
DRINKING FOUNTAIN KNEE CLEARANCE	27" MIN.	27"	27"	27"	27"
RAMP/STAIR HANDRAIL HEIGHT (TO TOP)	34" - 38"	34"	34"	34"	34"

STANDARD DIMENSIONS	ADULT	ALT. HEIGHT (DIMS)		
		AGES 9 THROUGH 12	AGES 5 THROUGH 8	AGES 3 AND 4
TOILET CENTERING FROM WALL/PARTITION	15" MIN	15" MIN	15" MIN	15" MIN
TOILET SEAT HEIGHT/DIM TO TOP OF SEAT	15"	15"	15"	15"
TOILET CLEARANCE/FRONT	24"	24"	24"	24"
URINAL LIP HEIGHT	24"	24"	18"	18"
URINAL CENTER FROM WALL/PARTITION	12"	12"	12"	12"

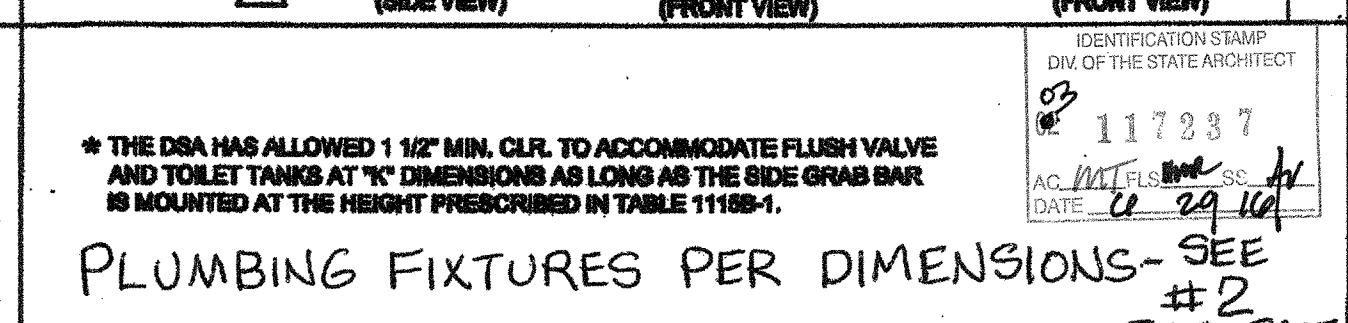
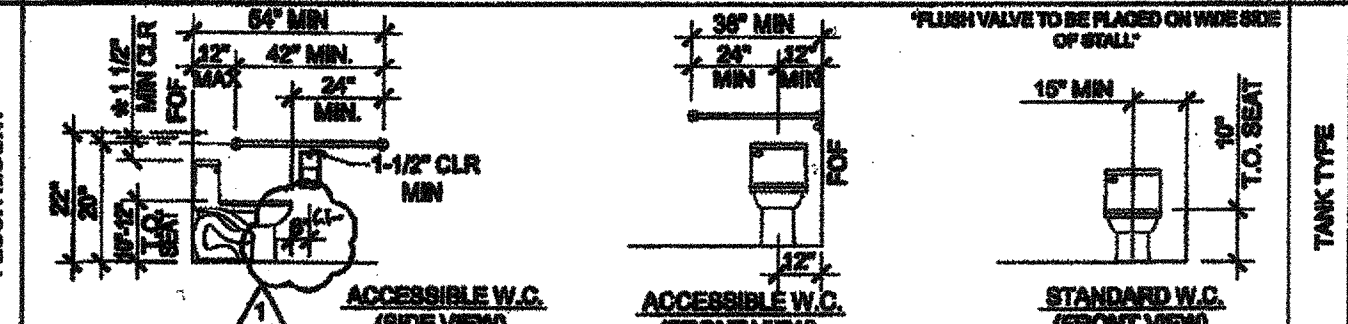
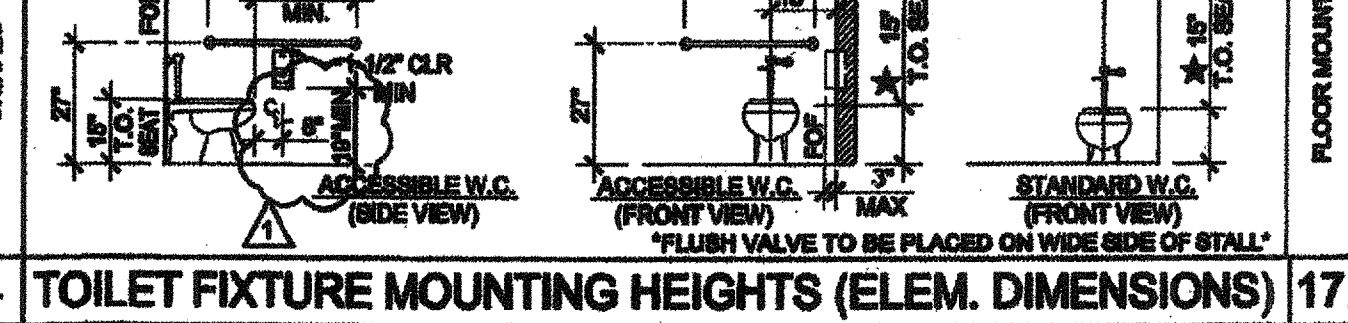
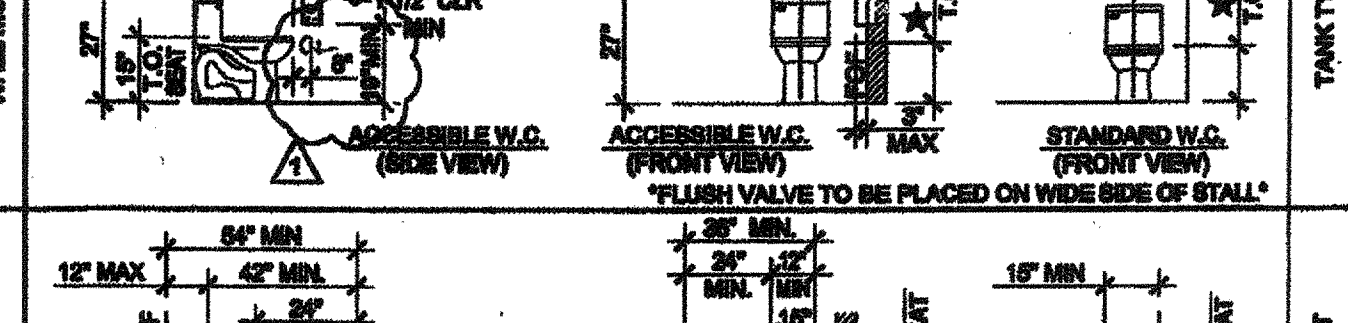
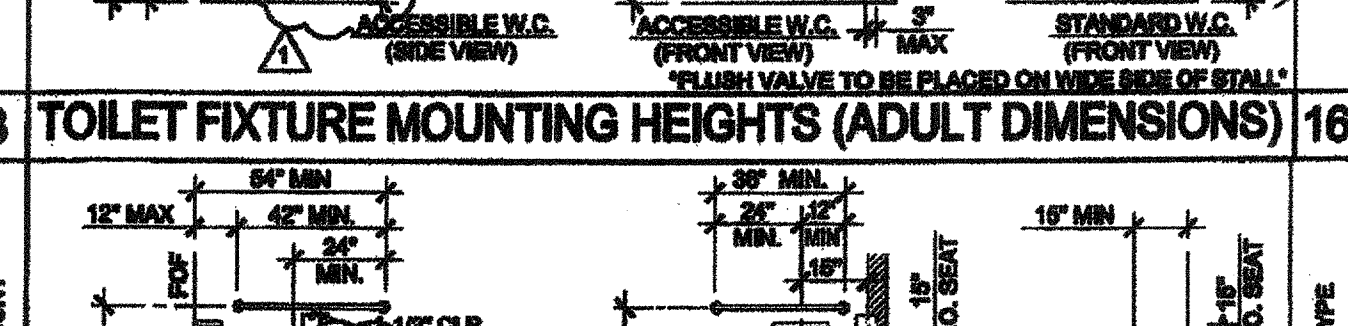
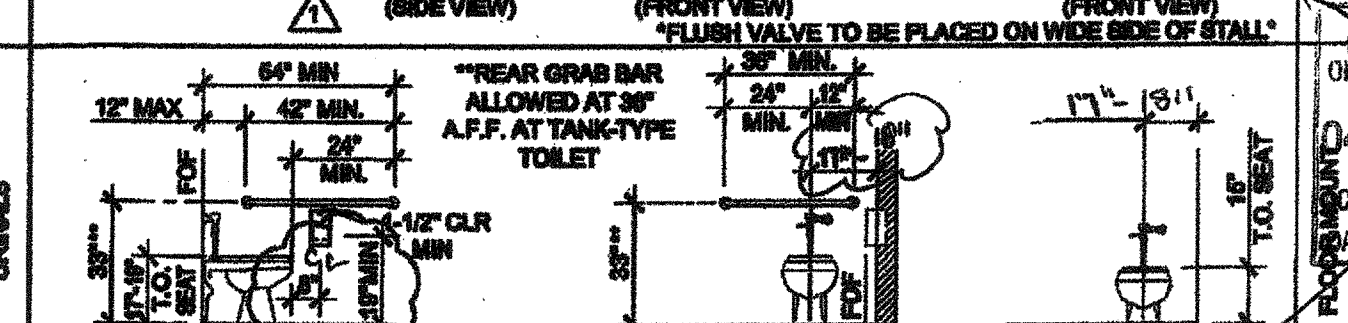
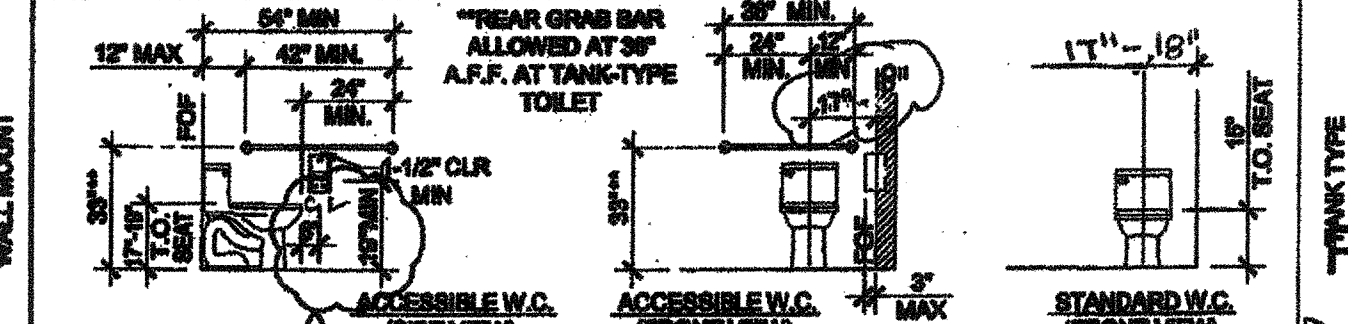
PLUMBING ACCESSORIES (PER. ONLY - MODELS FURNISHED AND INSTALLED BY DISTRICT (U.A.G.))

- A SOAP DISPENSER LIQUID SOAP DISPENSER 4" MAX. PROJECTION
- B PAPER TOWEL DISPENSER/TRASH BIN COMBO: SURFACE MOUNTED 4" MAX. PROJECTION CANNOT ENCRUSH INTO 32" CLEAR SPACE OF FIXTURE
- C TOILET PAPER HOLDER: SINGLE ROLL BEAM-RECESSED OR 3" MAX. PROJECTION
- D TOILET SEAT DISPENSER: SURFACE MOUNTED

PLUMBING FIXTURE SCHEDULE

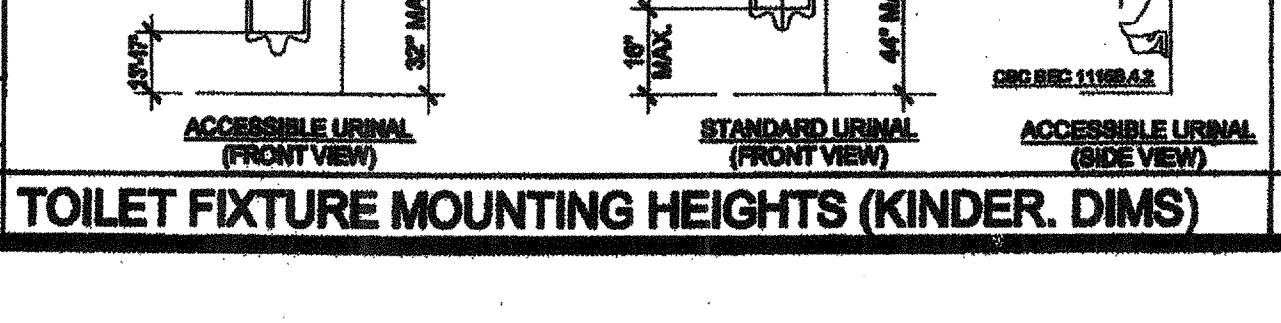
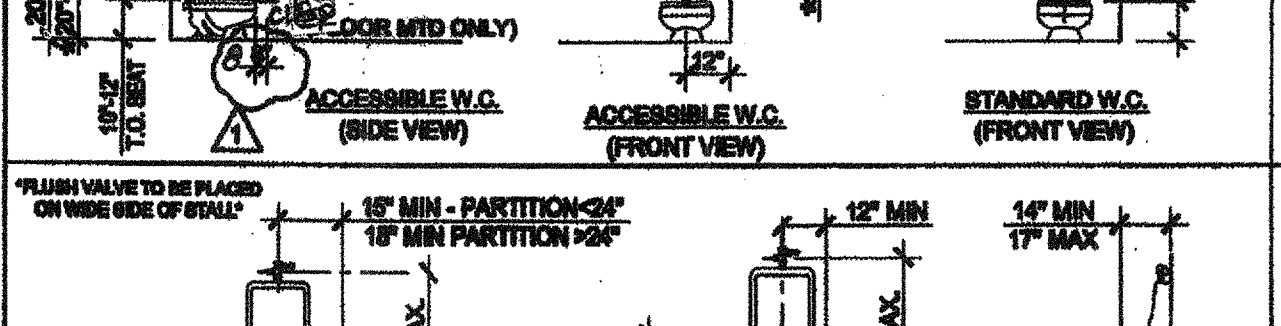
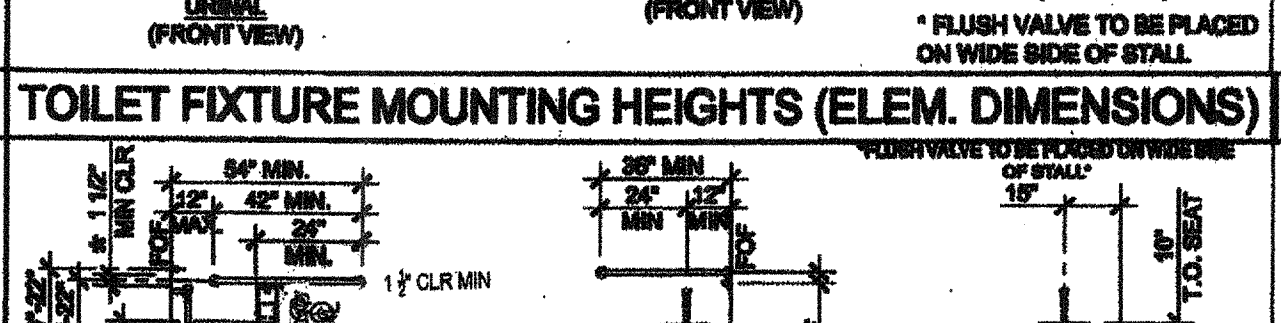
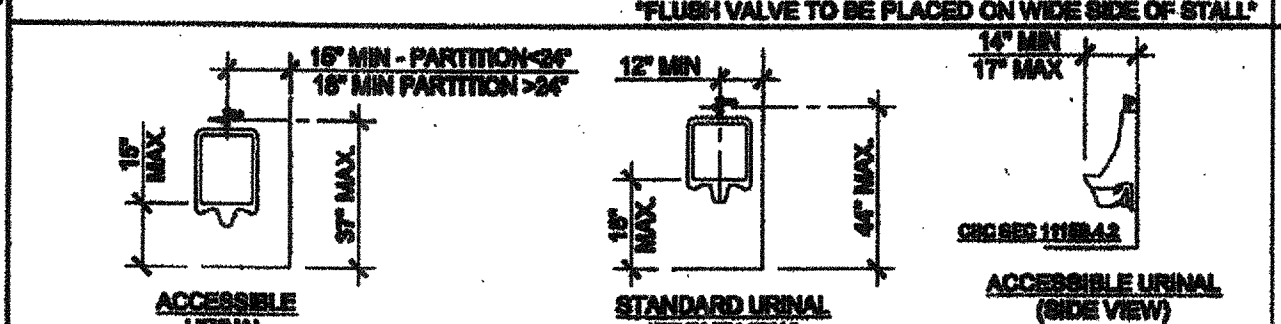
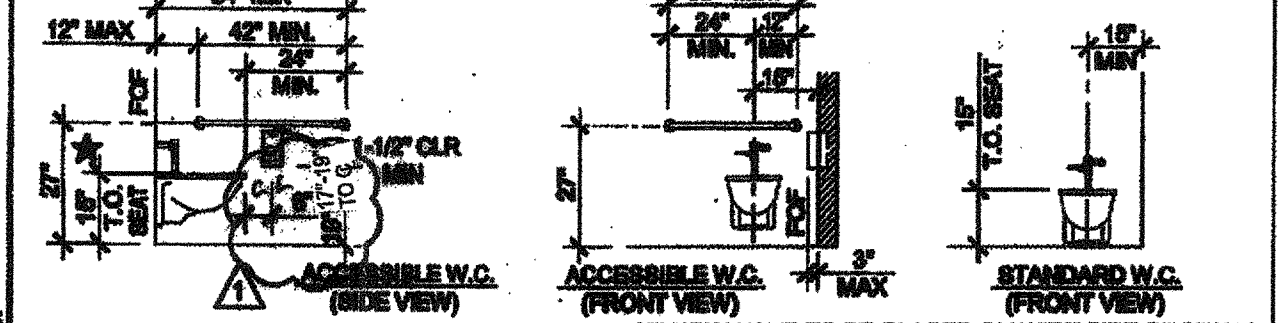
SYMBOL	FIXTURE	COLD WATER	HOT WATER	WASTE	VENT	FIXTURE DESCRIPTION (AS CALLED OUT OR APPROVED EQUAL)
WC 1	(A) WATER CLOSET TANK TYPE (ACCESSIBLE)	1/2"	-	3"	2"	STD. PROFLO ADA PFR000 ALT. AMERICAN STANDARD ADA 2700.120 1.28 GPF, 17" HIGH, VITREOUS CHINA ELONGATED RIM, TANK TYPE: 12" ROUGH-IN; OLSONITE 1000 SOLID OPEN WHITE ELONGATED PLASTIC SEAT
WC 2	(E) WATER CLOSET TANK TYPE (ACCESSIBLE)	1/2"	-	3"	2"	STD. PROFLO STANDARD PFR000 ALT. AMERICAN STANDARD 2800.120, 16" HIGH, VITREOUS CHINA ELONGATED RIM, TANK TYPE: 12" ROUGH-IN; OLSONITE 1000 SOLID OPEN WHITE ELONGATED PLASTIC SEAT
WC 3	(K) WATER CLOSET TANK TYPE (ACCESSIBLE & NON-ACCESSIBLE)	1/2"	-	3"	2"	STD. PROFLO PFR000S ALT. AMERICAN STANDARD 2018.010 BANY DENIRO 16" HIGH, 16" ROUGH-IN, VITREOUS CHINA ELONGATED RIM, TANK TYPE: OLSONITE 1000 SOLID OPEN WHITE ELONGATED PLASTIC SEAT
LAV 1	LAVATORY (ACCESSIBLE)	1/2"	-	2"	1 1/2"	STD. AMERICAN STANDARD 0806.012 LUCERNE ALT. ORANGE 1412-20 "HARWICH" 20K1P VITREOUS CHINA; JAY R SMITH #722 CONCEALED HANDBR; VALLEY #1800SIN SINGLE HANDLE FAUCET (AMERICAN STANDARD #141.011 TO BE USED @ KINDER & ELEMENTARY APPLICATIONS ONLY)
FD 1	FLOOR DRAIN	-	-	2"	1 1/2"	JAY R SMITH #2005VA-02-000-000. FLOOR DRAIN TAPPED FOR PRIMER. 1" NICKEL BRONZE STRAINER
TP 1	TRAP PRIMER	1/2"	-	-	-	PR-500 WITH 8"X12" LOCKABLE BOX, 1/2" BALL SHUT-OFF VALVE, AND PFP 104-U WASH WATER DISTRIBUTION SYSTEM
GB 1	GRAB BAR	-	-	-	-	McKINNEY 9704-1-1/2 OC STAINLESS STEEL GRAB BAR - BATIN FINISH; 36" LONG ON BACK AND 42" ON SIDE
MIR 1	MIRROR	-	-	-	-	SERIES 600 RETURNED MIRRORS STAINLESS STEEL - 180A 1702P - 1" SHEET METAL MANUFACTURED OR APPROVED EQUAL
CS 1	CLASSROOM SINK	1/2"	1/2"	2"	1 1/2"	JUST ORA-1725-A-GR 17"X28" W/ 4 1/2" BOWL DEPTH WITH CHICAGO FAUCET #500 AND BUBBLER JIB-10
WH 1	WATER HEATER	3/4"	3/4"	-	-	A.O. SMITH #DEL-6 (6 GALLON) A.O. SMITH #DEL-10 (10 GALLON)
WH 2	INSTANT WATER HEATER	1/2"	1/2"	-	-	EMAX #6P012, 120V, 3.0KW, 28A
DF 1	DRINKING FOUNTAIN	1/2"	-	2"	1 1/2"	HALSEY-TAYLOR / B/LEVEL HACEFBL-Q / COOLING TYPE

(A) = ADULT (E) = ELEMENTARY (K) = KINDERGARTEN



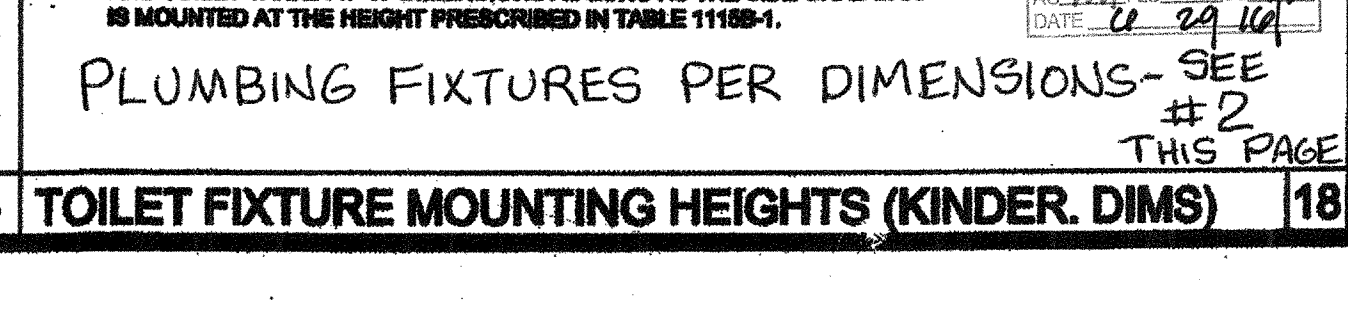
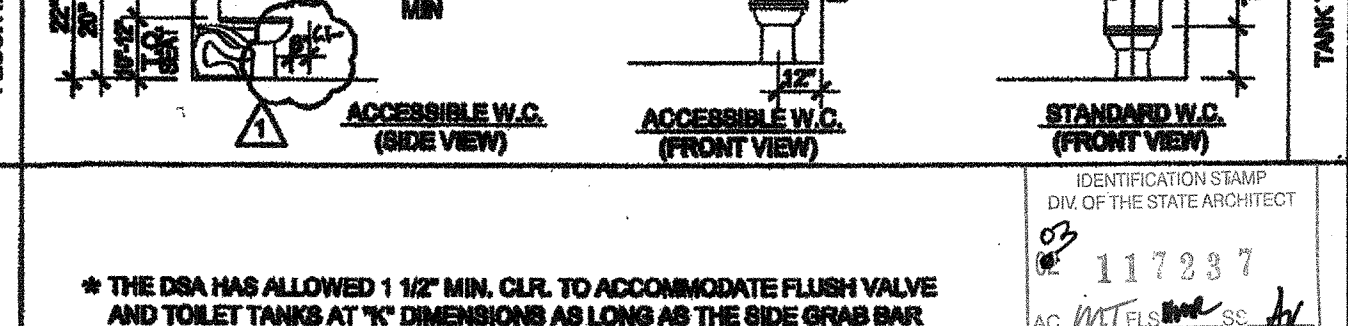
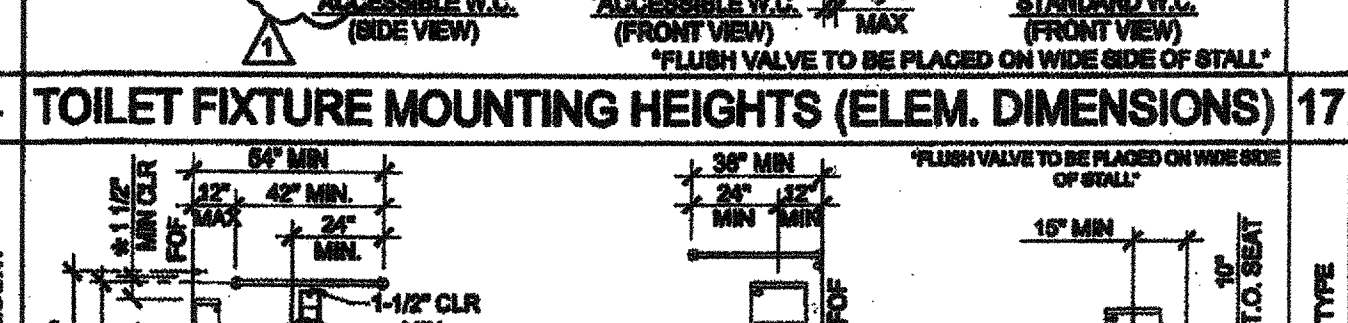
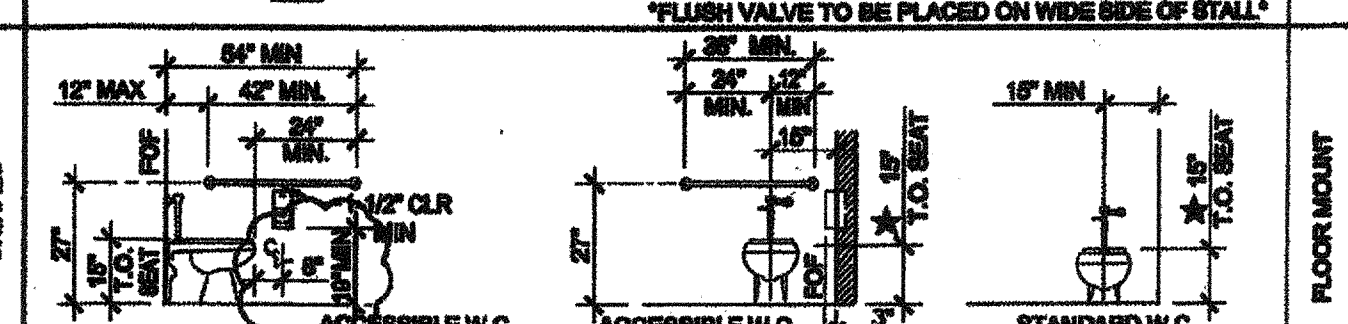
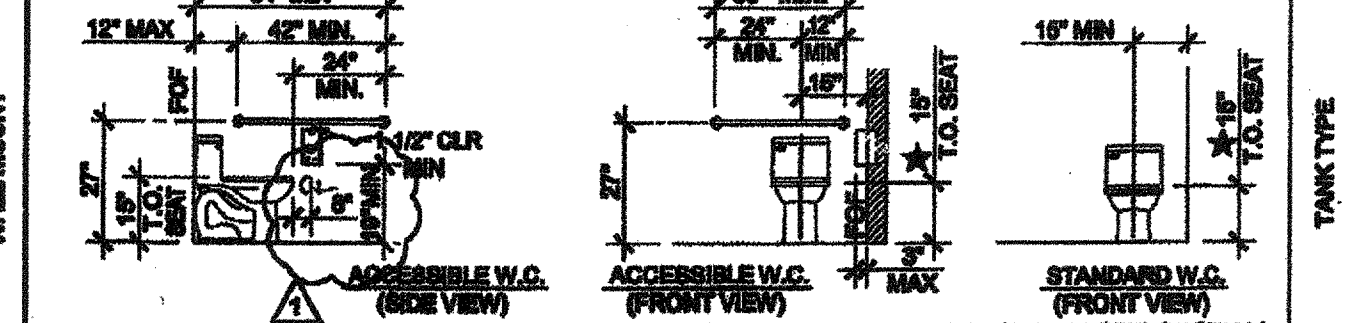
PLUMBING FIXTURES PER DIMENSIONS - SEE #2 THIS PAGE

TOILET FIXTURE MOUNTING HEIGHTS (ADULT DIMENSIONS)



TOILET FIXTURE MOUNTING HEIGHTS (KINDER. DIMS)

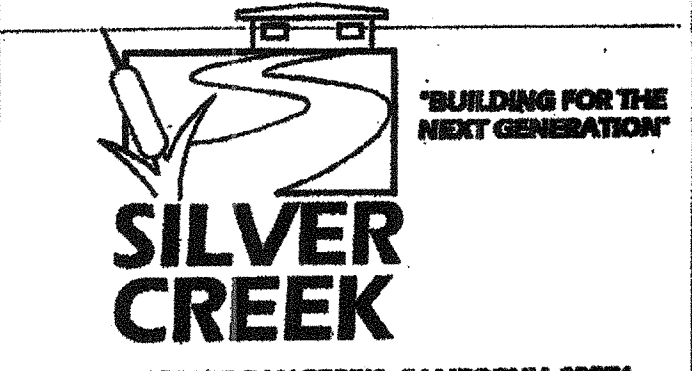
TOILET FIXTURE MOUNTING HEIGHTS (ADULT DIMENSIONS)



TOILET FIXTURE MOUNTING HEIGHTS (KINDER. DIMS)

THESE DRAWINGS AND ALL MATERIAL CONTAINED HEREIN ARE THE PROPERTY OF SILVER CREEK INDUSTRIES, INC. (SCI) AND SHALL NOT BE REPRODUCED, COPIED OR OTHERWISE DISPOSED OF DIRECTLY OR INDIRECTLY AND SHALL NOT BE USED IN WHOLE OR IN PART TO ASSIST IN THE MAKING OF OR FOR THE PURPOSE OF FURNISHING ANY INFORMATION FOR THE MAKING OF DRAWINGS, PRINTS, APPARATUS OR PARTS THEREOF WITHOUT THE FULL KNOWLEDGE AND WRITTEN CONSENT OF SCI Inc. ALL PATENTABLE MATERIAL CONTAINED HEREIN AND ORIGINATING WITH SCI Inc SHALL BE THE PROPERTY OF SCI Inc

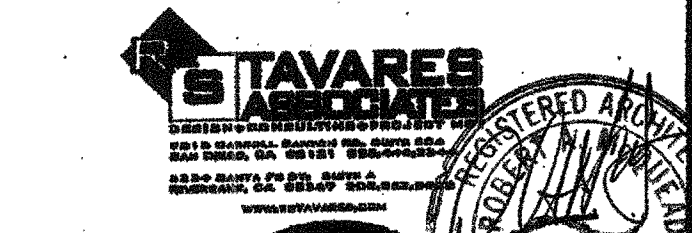
SILVER CREEK INDUSTRIES, INC.



191 EAST MORGAN AVENUE, CALIFORNIA 92571
PHONE: 951-943-6993 FAX: 951-948-2211

CLASS LEASING CLASSROOMS BLDGS

PLUMBING DETAILS AND SCHEDULE



REVISIONS
NO. 1
DATE: APR 23 2015

REVISIONS
NO. 2
DATE: FEB 28 2015

PROJECT SPECIFIC STATE AGENCY APPROVAL
IDENTIFICATION STAMP
DIV. OF THE STATE ARCHITECT
OFFICE OF REGULATION SERVICES
DATE: AUG 28 2014

ORIGINAL PC STATE AGENCY APPROVAL
IDENTIFICATION STAMP
DIV. OF THE STATE ARCHITECT
OFFICE OF REGULATION SERVICES
DATE: JAN 6 2015

REVISIONS
NO. 1
DATE: 12-12-12

SILVER CREEK INDUSTRIES
24" x 40" PC
PROJECT NO:
DRAWN BY:
SCALE: AS NOTED
DATE: 12-12-12
F.C. SHEET NUMBER

P-1.01 STKP 140