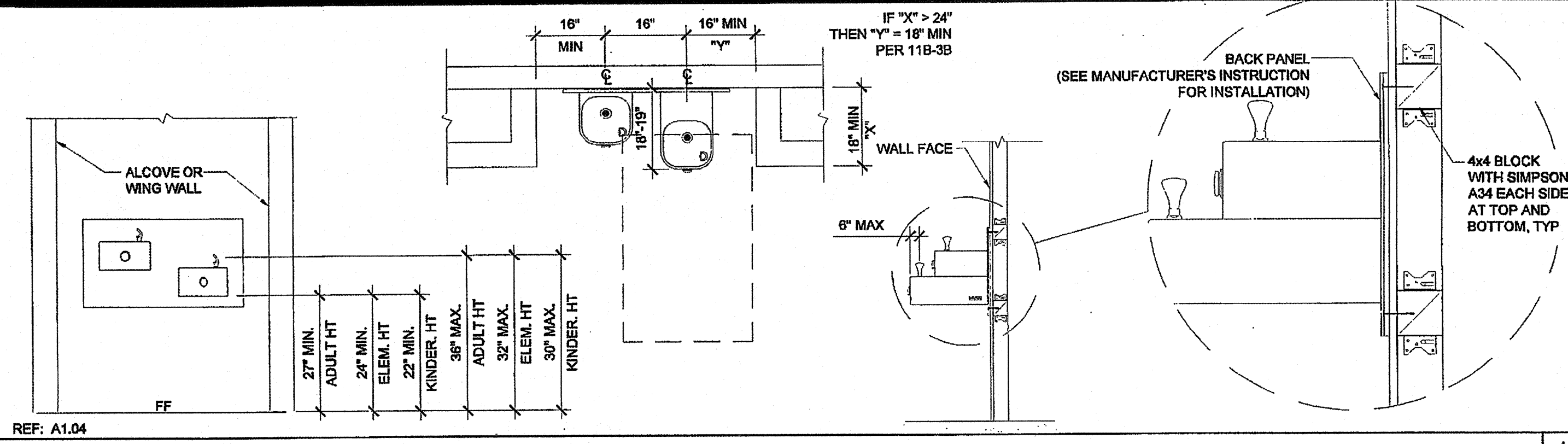
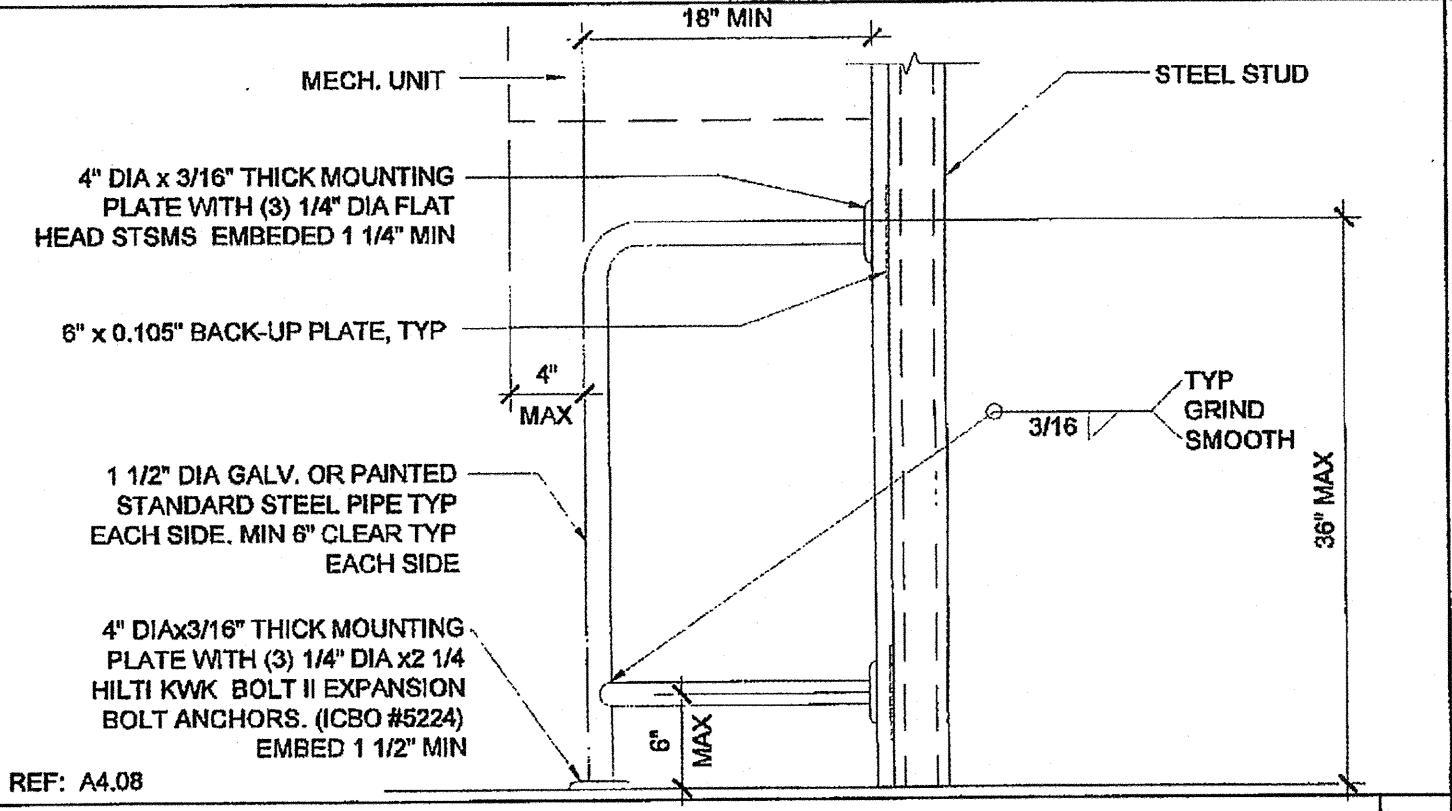


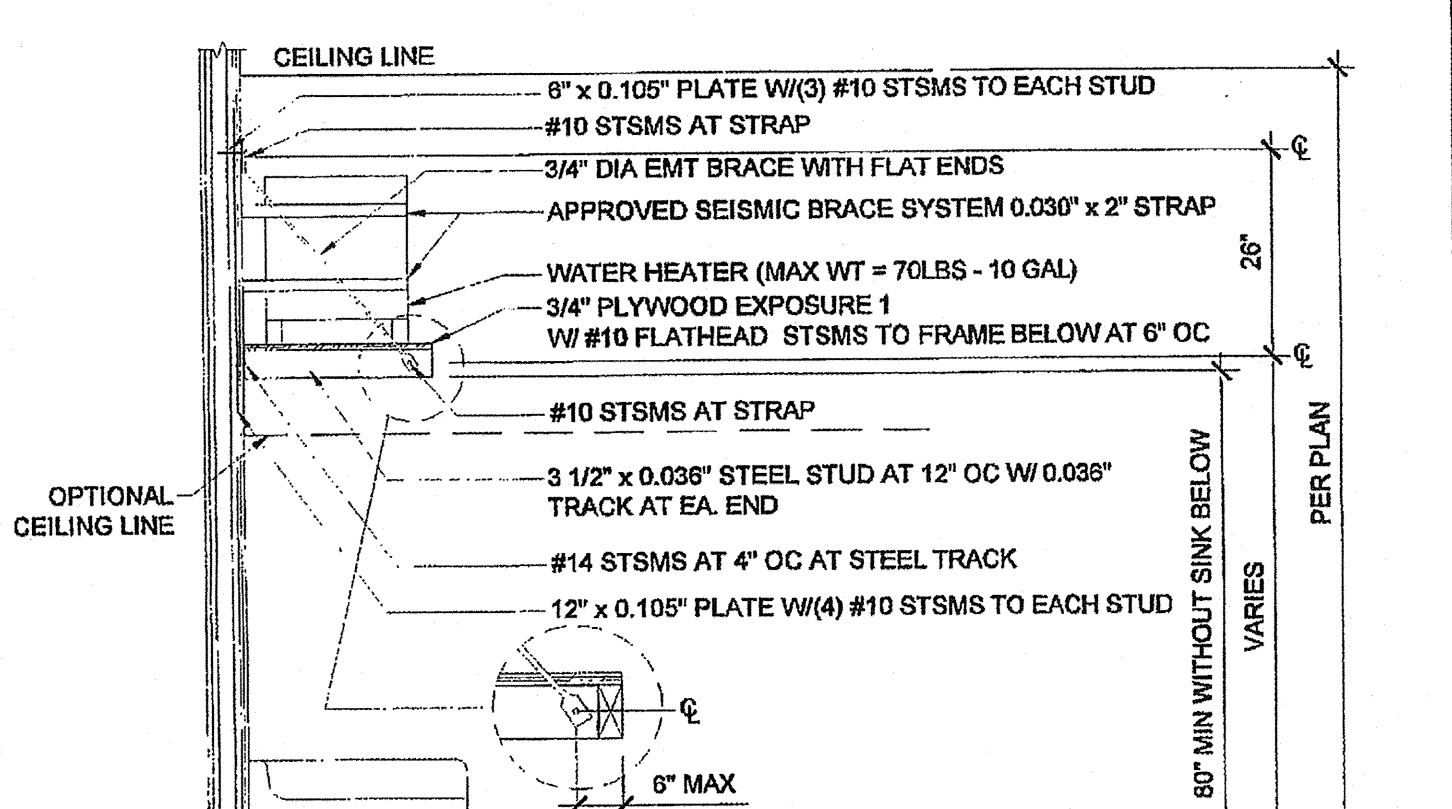
REF: A1.04 DRINKING FOUNTAIN BLOCKING DETAIL AT STEEL STUD SCALE: 1/2" = 1'-0" 11



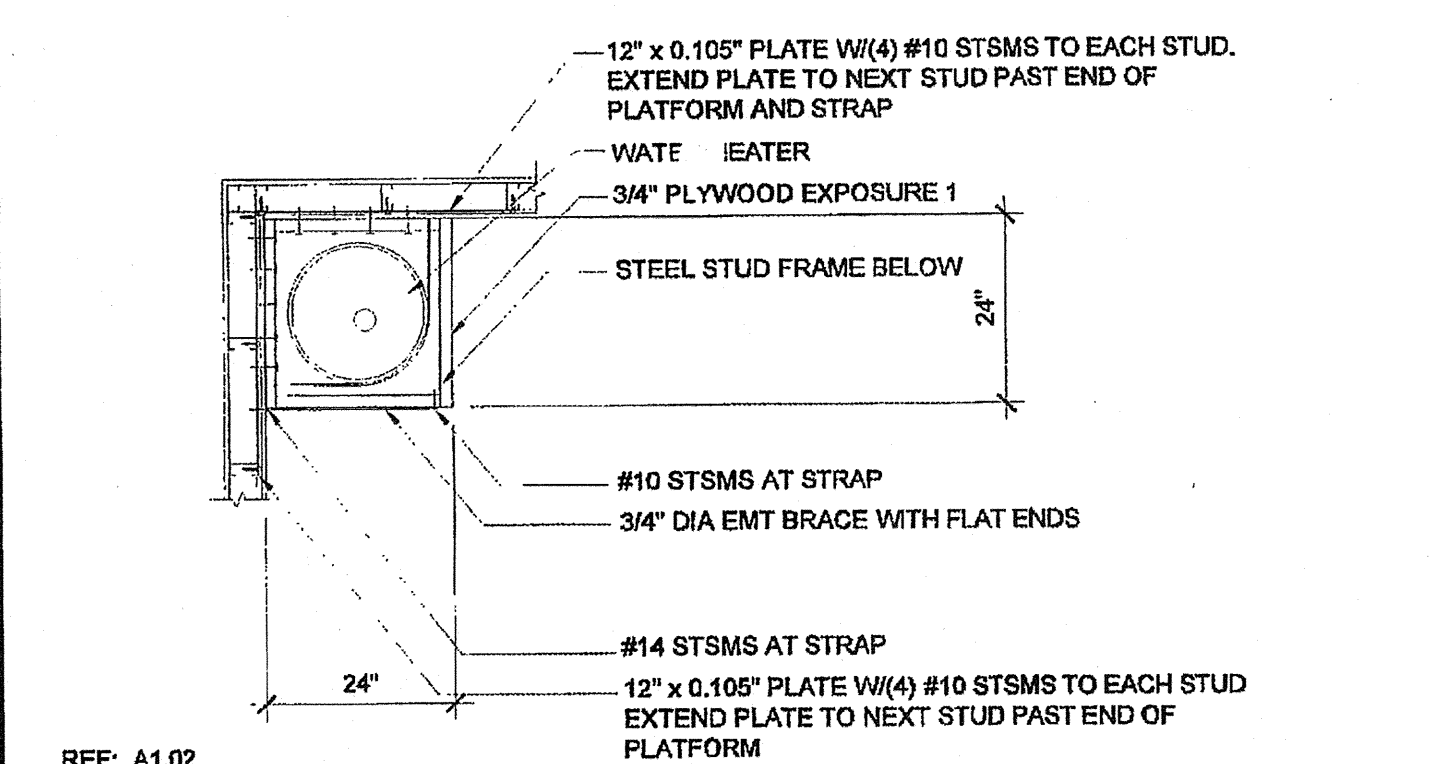
REF: A1.04 DRINKING FOUNTAIN BLOCKING DETAIL AT WOOD STUD SCALE: 1/2" = 1'-0" 1



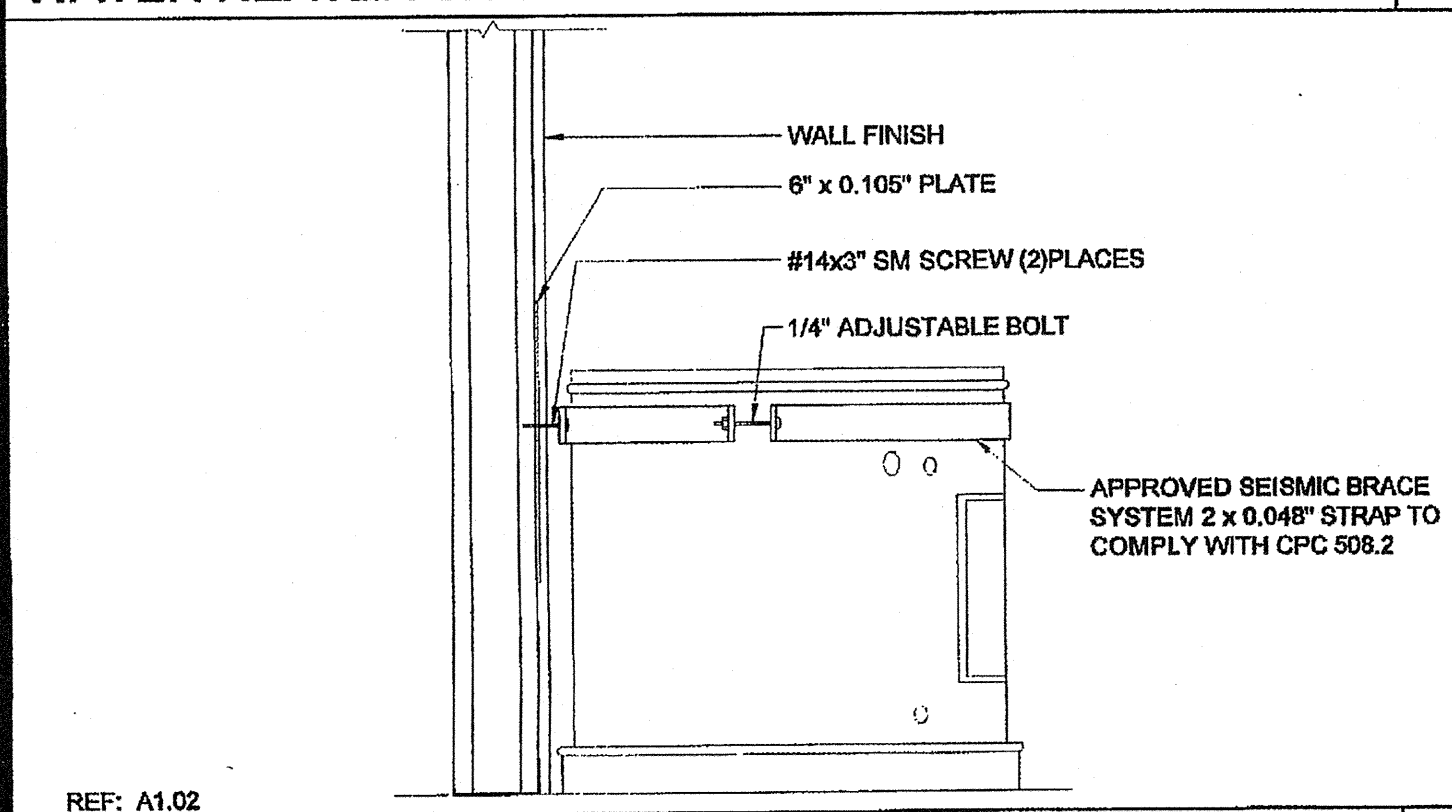
REF: A4.08 HVAC BARRIER AT STEEL STUD SCALE: 1" = 1'-0" 17



REF: A4.08 HVAC BARRIER AT WOOD STUD SCALE: 1" = 1'-0" 2



REF: A1.02 WATER HEATER SHELF AT STEEL STUD SCALE: 1/2" = 1'-0" 19

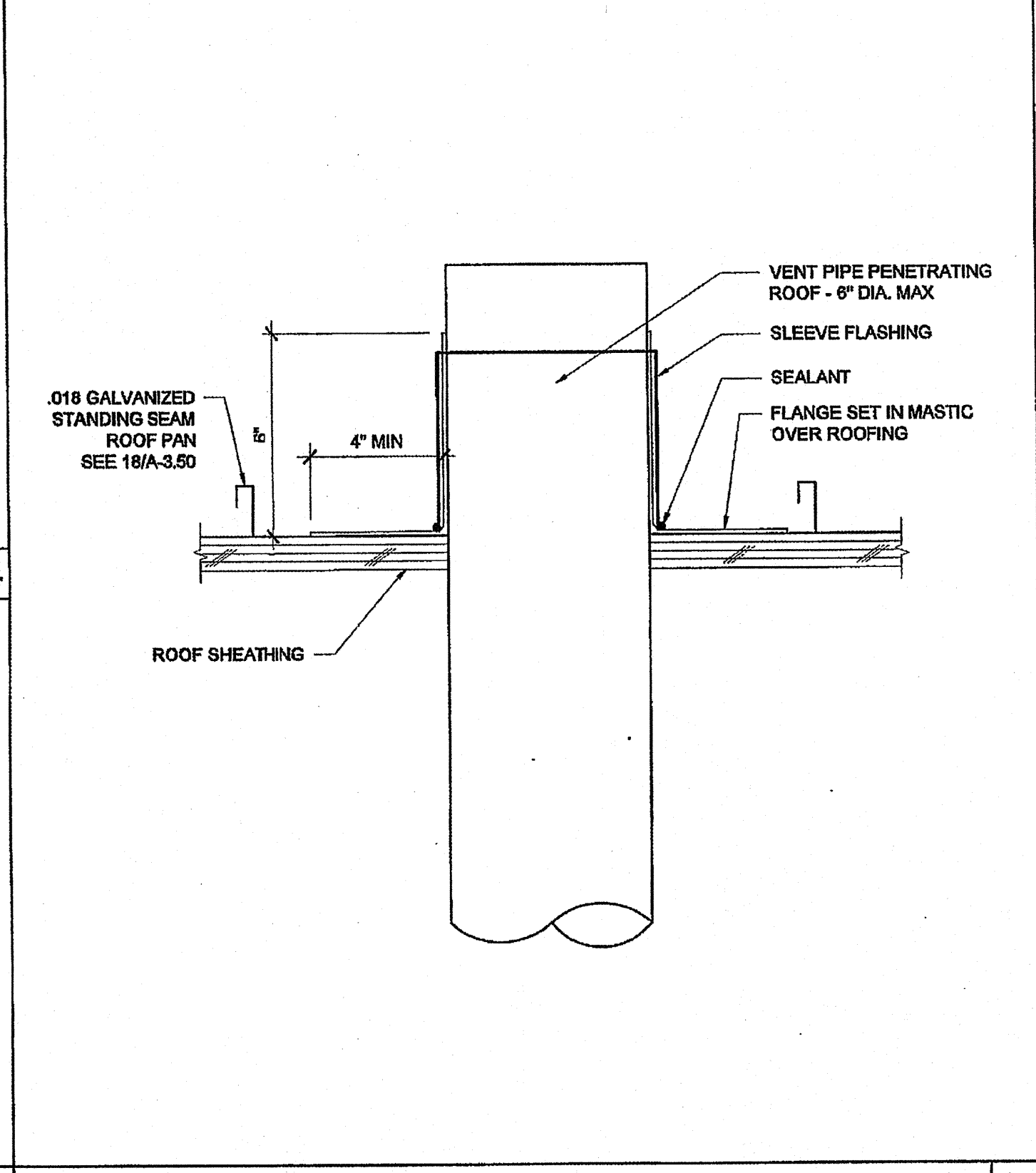


REF: A1.02 WATER HEATER BRACING AT STEEL STUD SCALE: 1 1/2" = 1'-0" 20

NOT USED 13

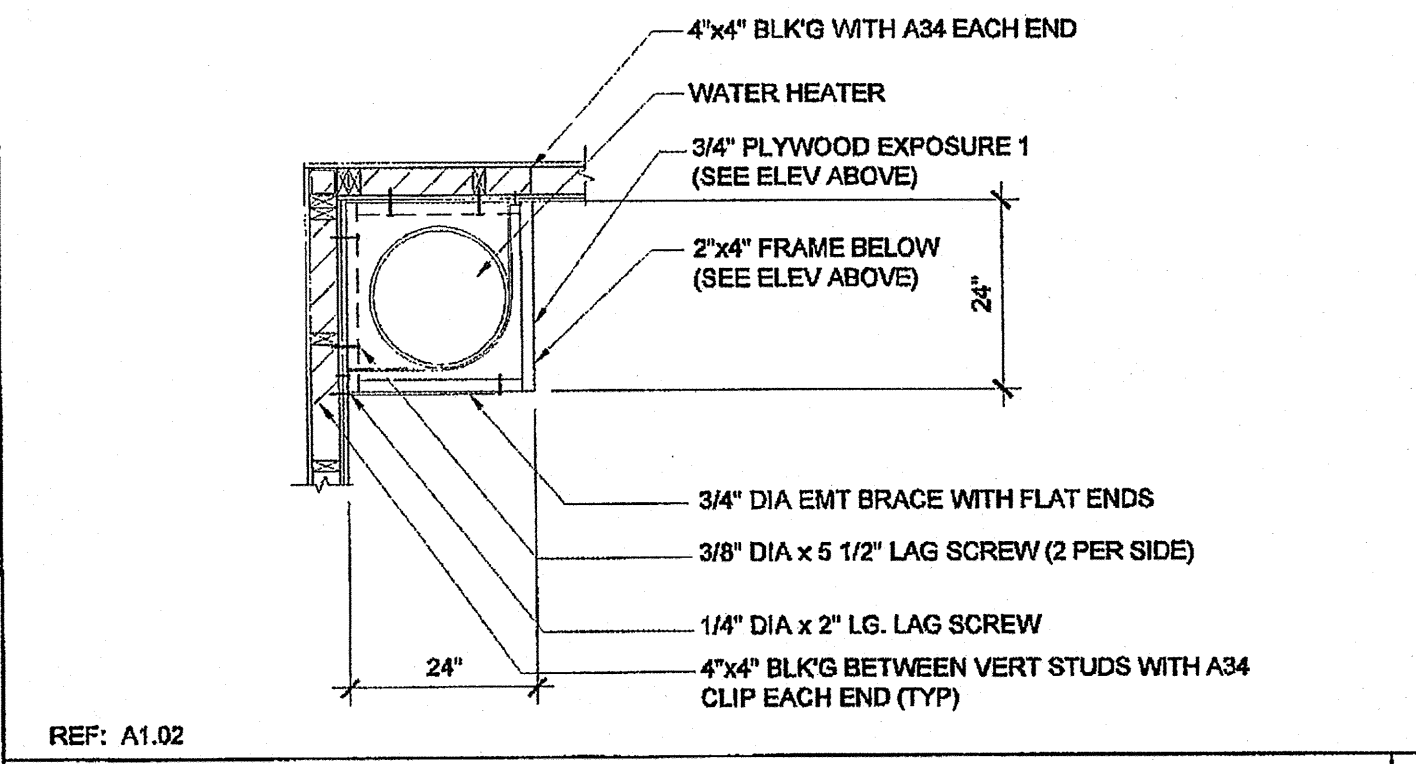
NOT USED 14

NOT USED 8

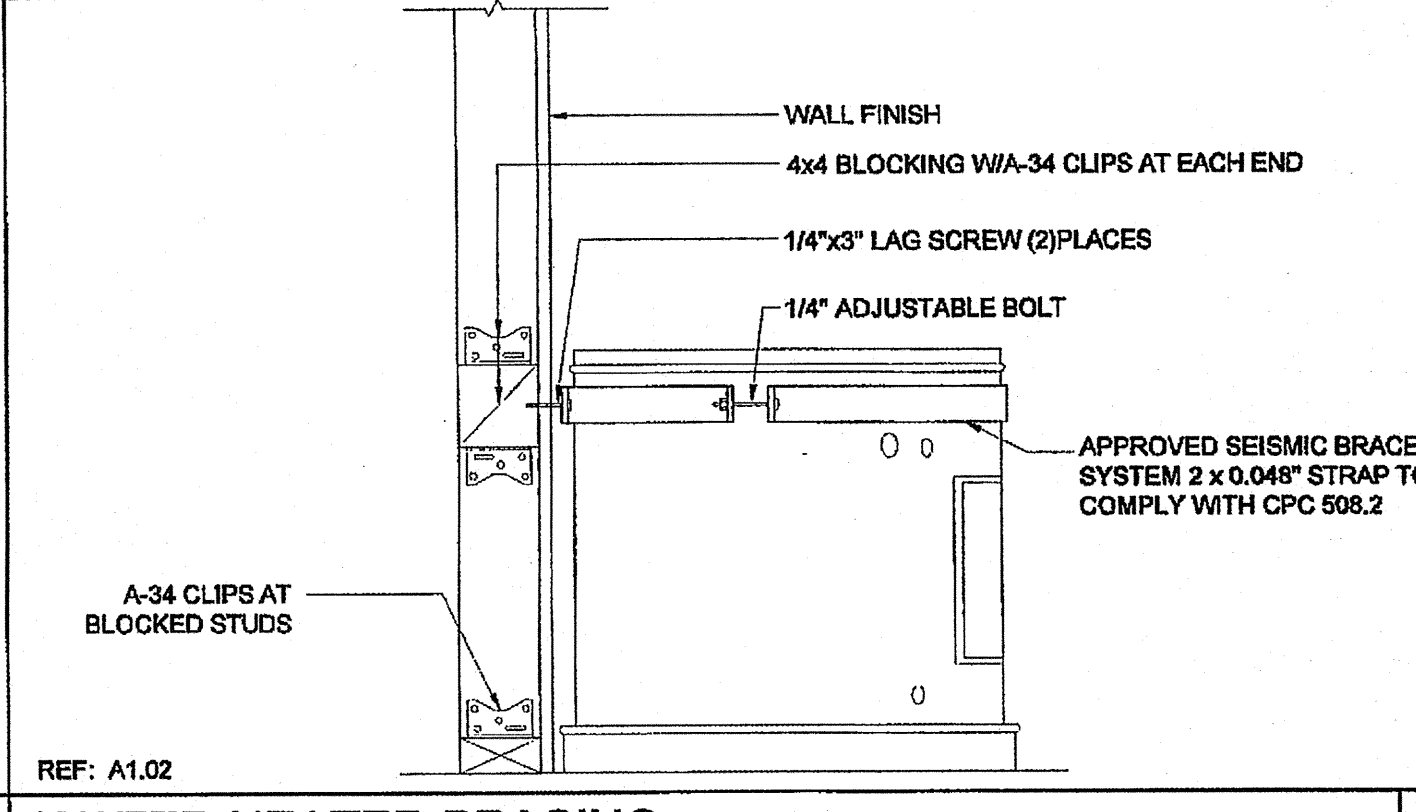


SCALE: 3" = 1'-0" 10

NOT USED 8



REF: A1.02 WATER HEATER SHELF AT WOOD STUD SCALE: 1/2" = 1'-0" 4



REF: A1.02 WATER HEATER BRACING AT WOOD STUD SCALE: 1 1/2" = 1'-0" 5

THESE DRAWINGS AND ALL MATERIAL CONTAINED HEREIN ARE THE PROPERTY OF SILVERCREEK INDUSTRIES, INC. (SCI INC) AND SHALL NOT BE REPRODUCED, COPIED OR OTHERWISE DISPOSED OF DIRECTLY OR INDIRECTLY AND SHALL NOT BE USED IN WHOLE OR IN PART TO ASSIST IN THE MAKING OF OR FOR THE PURPOSE OF FURNISHING ANY INFORMATION FOR THE MAKING OF DRAWINGS, PRINTS, APPARATUS OR PARTS THEREOF WITHOUT THE FULL KNOWLEDGE AND WRITTEN CONSENT OF SCI INC. ALL PATENTABLE MATERIAL CONTAINED HEREIN AND ORIGINATING WITH SCI INC SHALL BE THE PROPERTY OF SCI INC.

SILVER CREEK INDUSTRIES, INC.

SILVER CREEK

"BUILDING FOR THE NEXT GENERATION"

195 EAST MORGAN PERRIS, CALIFORNIA 92571
PHONE: 951-943-5393 FAX: 951-943-2211

PROJECT NAME:

Class Leasing

SHEET TITLE:

ARCHITECTURAL DETAILS MISCELLANEOUS

STAVARES ASSOCIATES

ARCHITECT OF RECORD SUBMISSION

IDENTIFICATION STAMP
DIV. OF THE STATE ARCHITECT
APPROX 115891
AC 11 FLS SS TB
DATE 12/14

PROJECT SPECIFIC STATE AGENCY APPROVAL

IDENTIFICATION STAMP
DIV. OF THE STATE ARCHITECT
OFFICE OF REGULATION SERVICES
04 113309
AC 11 FLS SS TB
DATE DEC 19 2011

ORIGINAL PC STATE AGENCY APPROVAL

PRE-CHECK (PRO DOCUMENT) A SEPARATE PROJECT APPLICATION FOR CONSTRUCTION IS REQUIRED

IDENTIFICATION STAMP
DIV. OF THE STATE ARCHITECT
OFFICE OF REGULATION SERVICES
PC 04-112137
AC 11 FLS SS TB
DATE DEC 9 2011

REVISIONS

ARCHITECT OF RECORD SUBMISSION

IDENTIFICATION STAMP
DIV. OF THE STATE ARCHITECT
OFFICE OF REGULATION SERVICES
PC 04-112137
AC 11 FLS SS TB
DATE DEC 9 2011

REVISIONS

SILVER CREEK INDUSTRIES
12 x 40' PC

PROJECT NO:

DRAWN BY:

SCALE: AS NOTED

DATE: 6-17-11

P.C. SHEET NUMBER

A-5.81