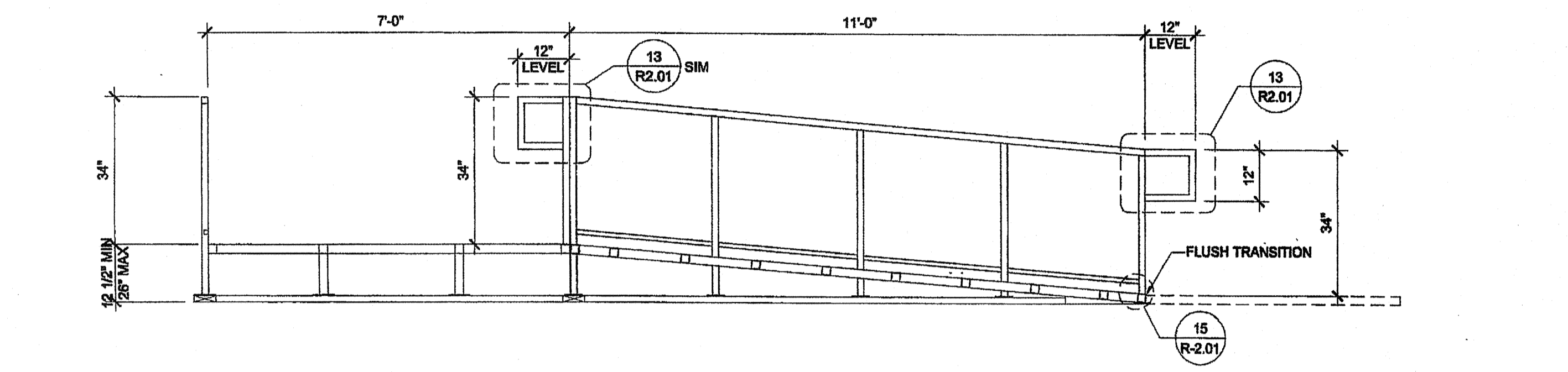
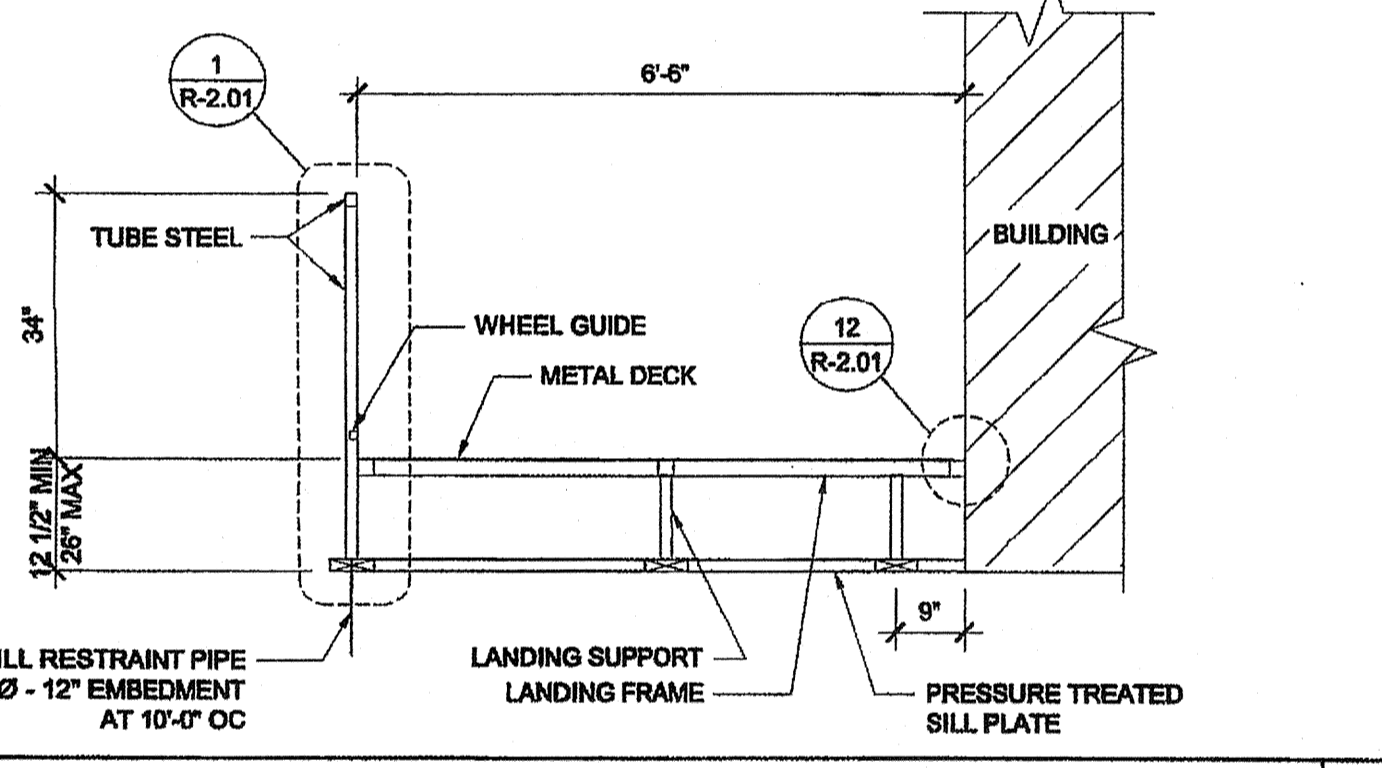


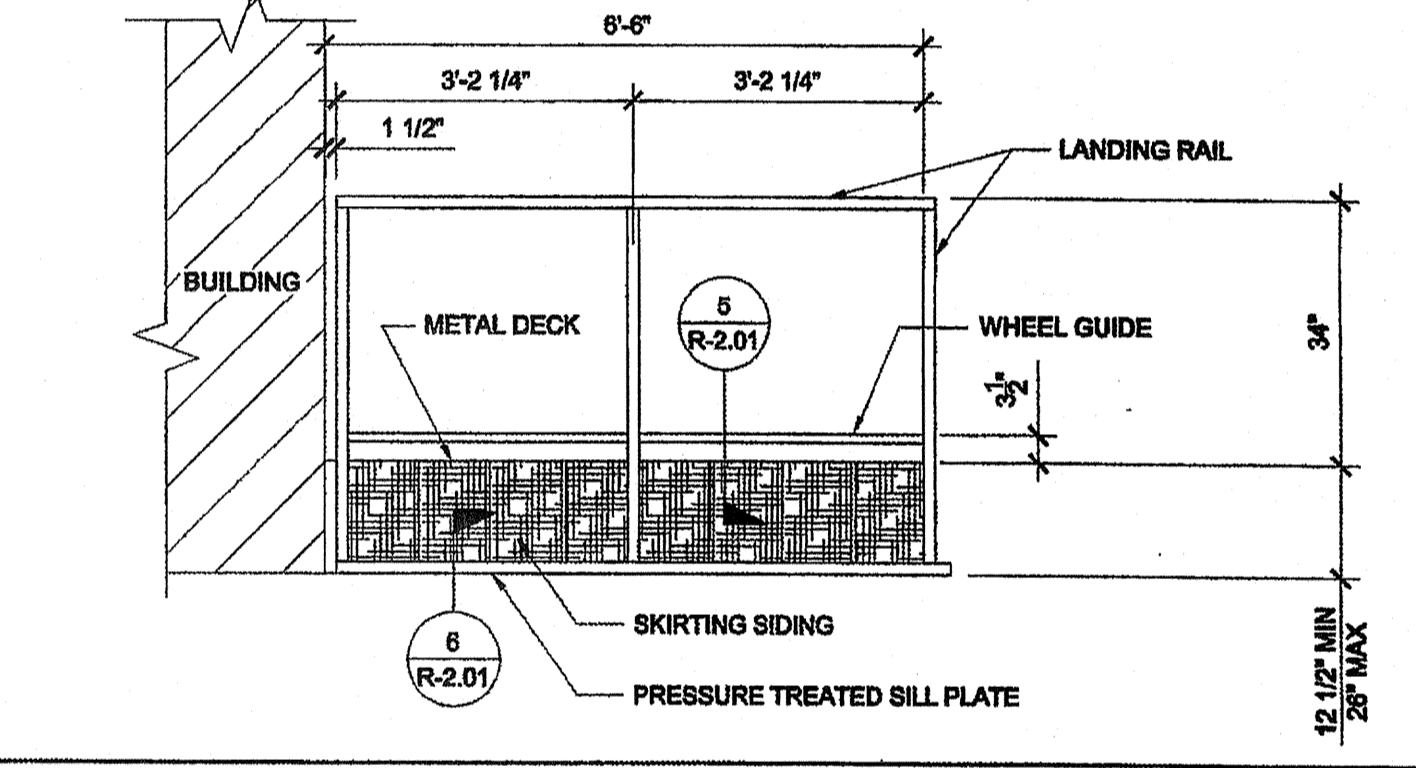
RAMP AND LANDING ELEVATION SCALE: 1/2" = 1'-0" 4



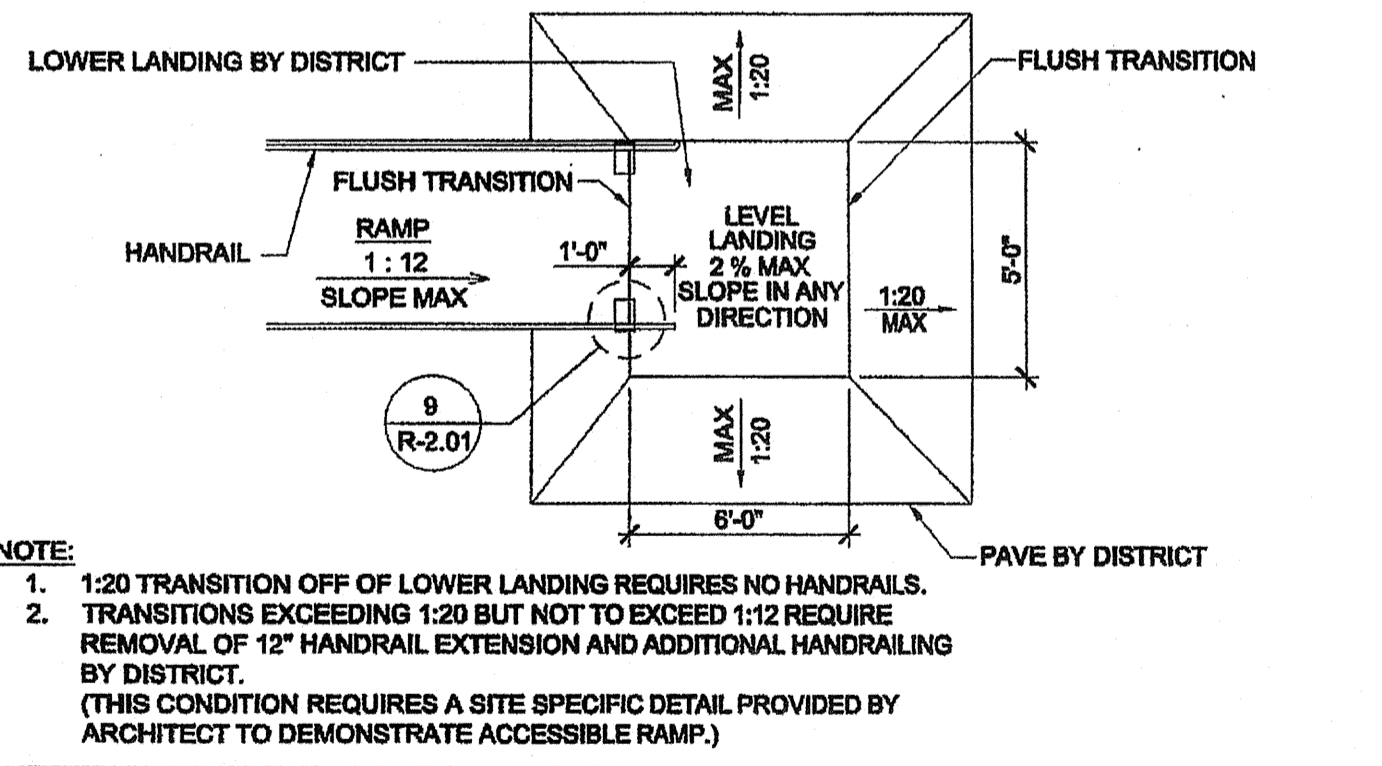
SECTION AT RAMP AND LANDING SCALE: 1/2" = 1'-0" 5



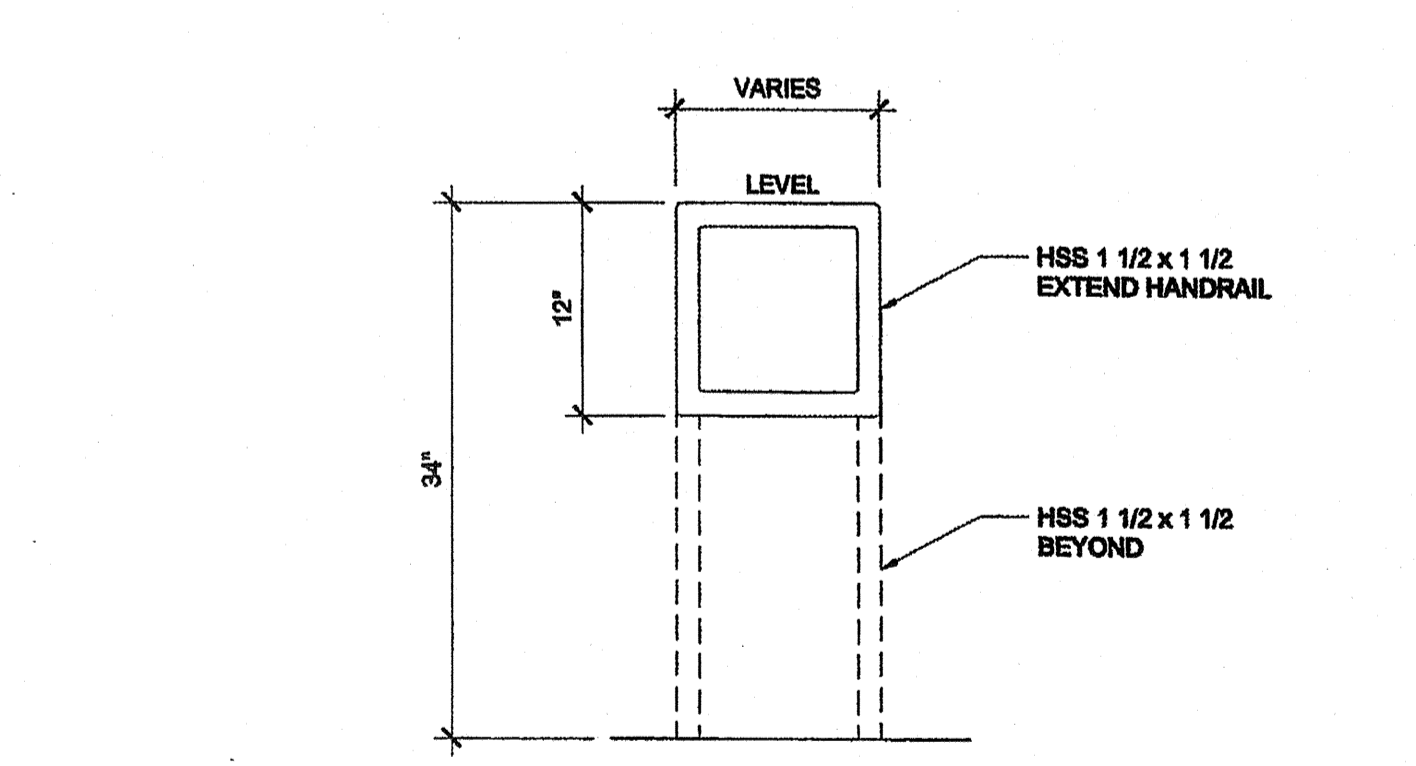
SECTION AT LANDING SCALE: 1/2" = 1'-0" 9



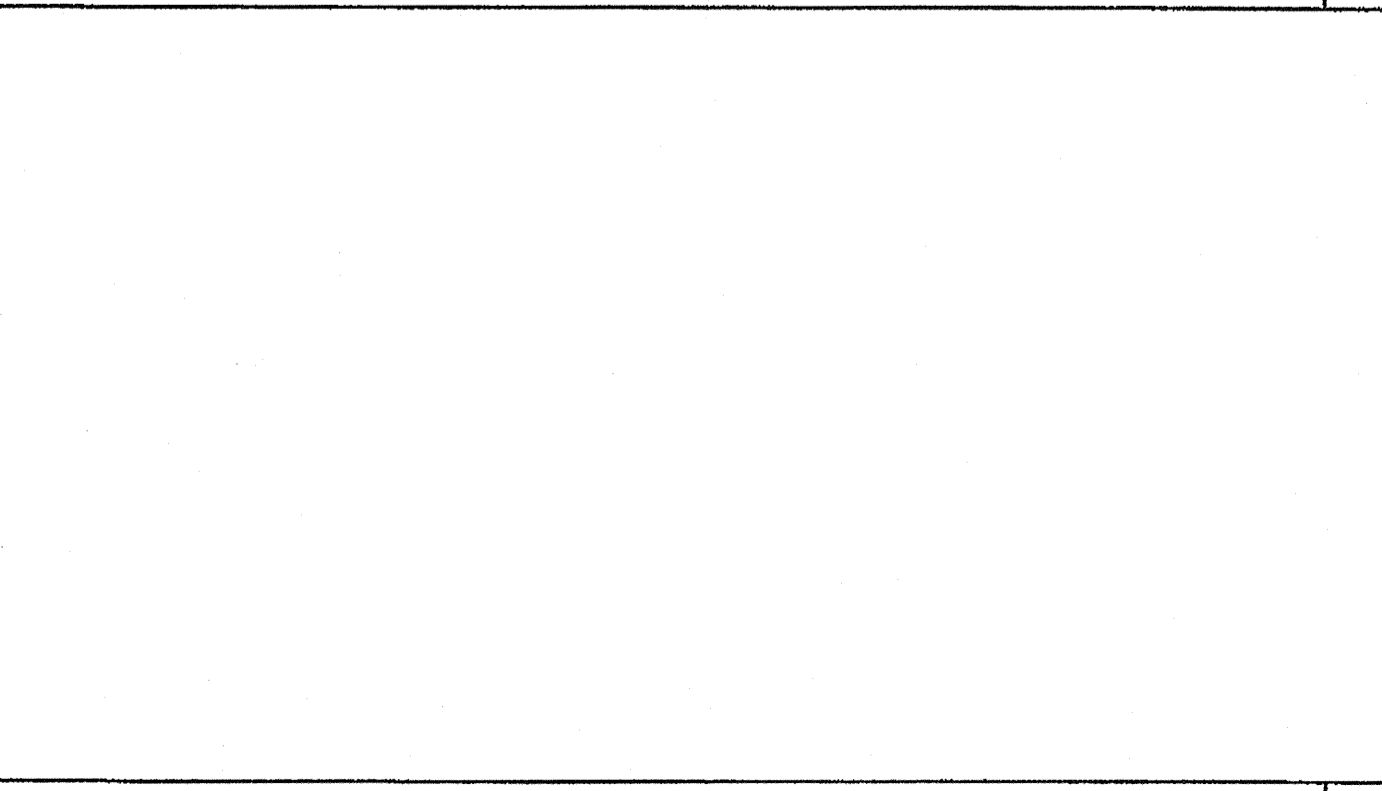
LANDING ELEVATION SCALE: 1/2" = 1'-0" 6



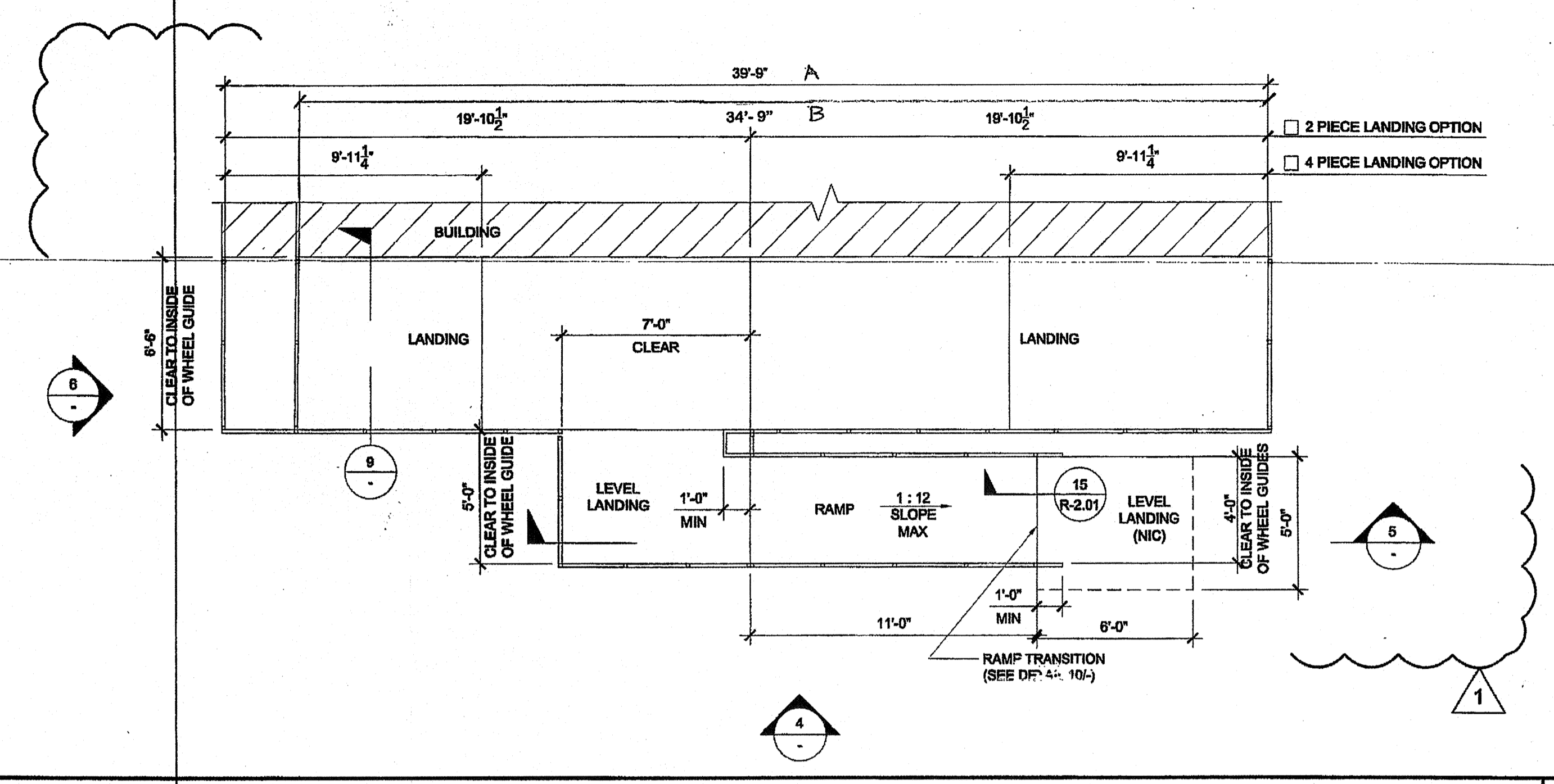
RAMP TRANSITION SCALE: NTS 10



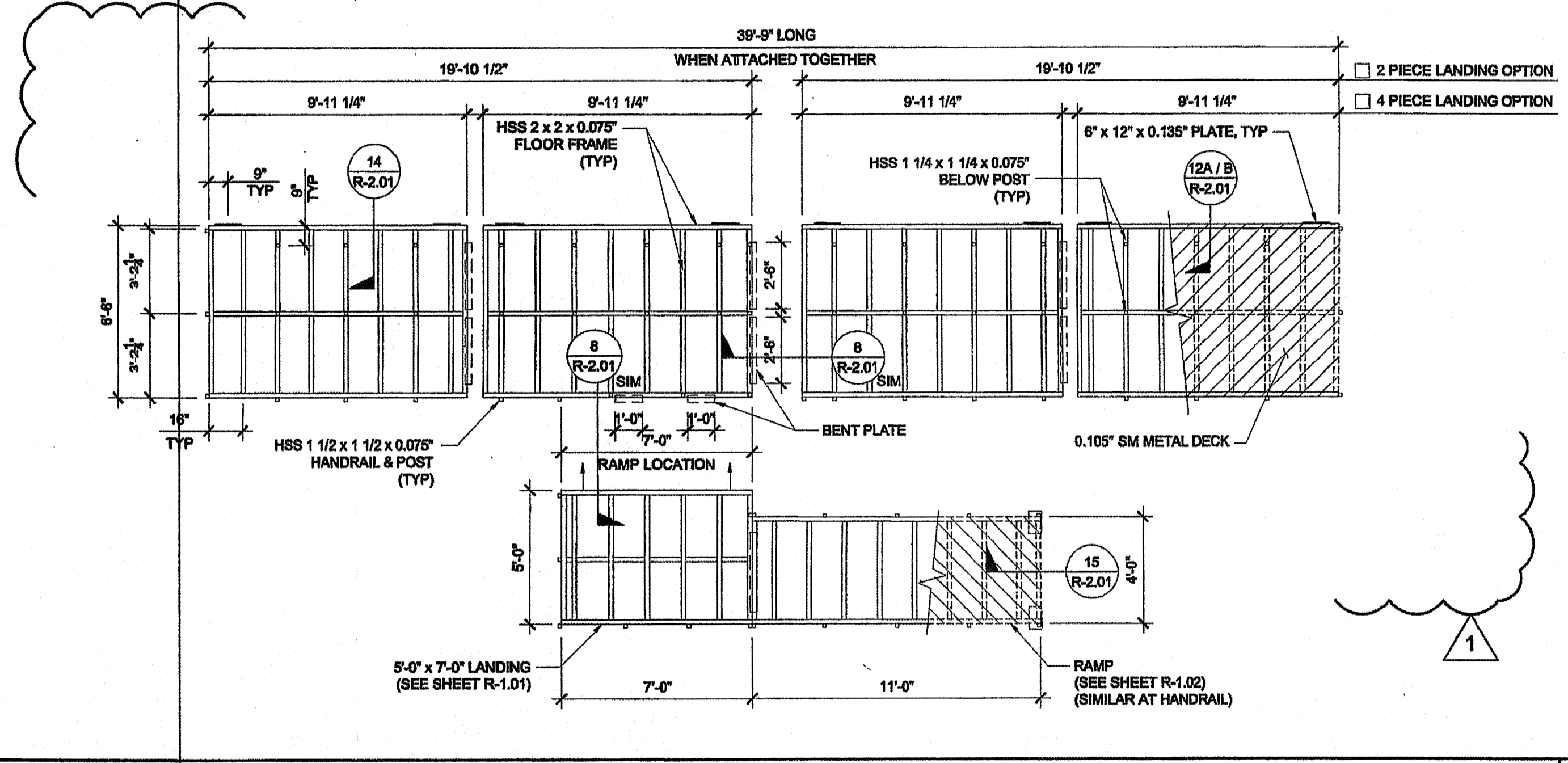
RETURN EXTEND HANDRAIL ELEVATION SCALE: 1" = 1'-0" 7



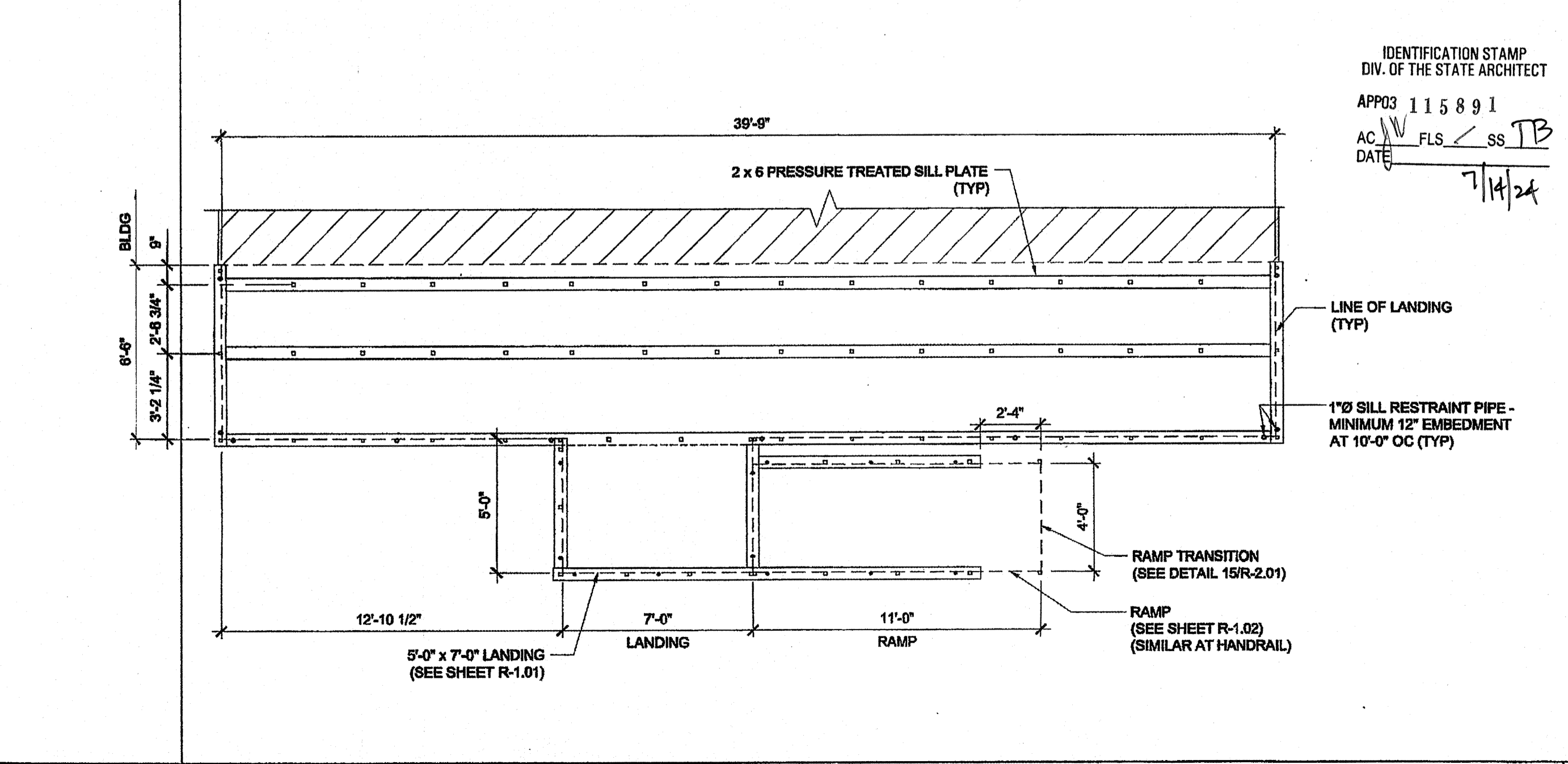
RETURN EXTEND HANDRAIL ISOMETRIC SCALE: NTS 11



LANDING PLAN SCALE: 1/4" = 1'-0" 1



LANDING FRAME SCALE: 1/4" = 1'-0" 2



SILL PLAN FOR RAMP AND LANDING SCALE: 1/4" = 1'-0" 3

THESE DRAWINGS AND ALL MATERIAL CONTAINED HEREIN ARE THE PROPERTY OF SILVERCREEK INDUSTRIES, INC (SCI INC) AND SHALL NOT BE REPRODUCED, COPIED OR OTHERWISE DISPOSED OF DIRECTLY OR INDIRECTLY AND SHALL NOT BE USED IN WHOLE OR IN PART TO ASSIST IN THE MAKING OF OR FOR THE PURPOSE OF FURNISHING ANY INFORMATION FOR THE MAKING OF DRAWINGS, PRINTS, APPARATUS OR PARTS THEREOF WITHOUT THE FULL KNOWLEDGE AND WRITTEN CONSENT OF SCI INC. ALL PATENTABLE MATERIAL CONTAINED HEREIN AND ORIGINATING WITH SCI INC SHALL BE THE PROPERTY OF SCI INC.

SILVER CREEK INDUSTRIES, INC.



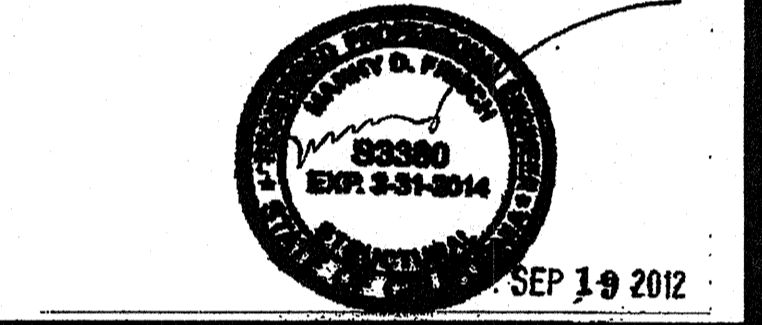
195 EAST MORGAN PERRIS, CALIFORNIA 92571
 PHONE: 951-943-5393 FAX: 951-943-2211

PROJECT NAME:

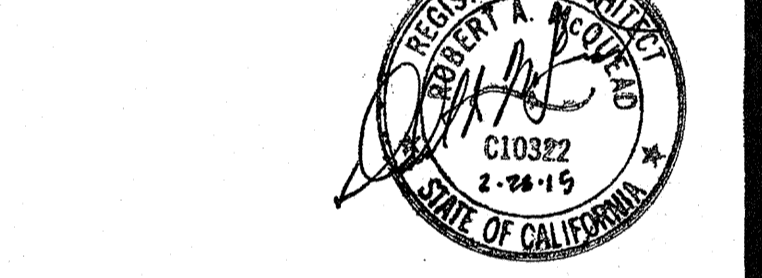
Class Leasing

SHEET TITLE:

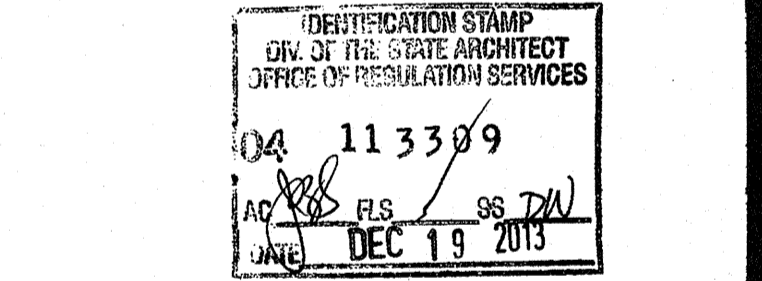
RAMP LANDING



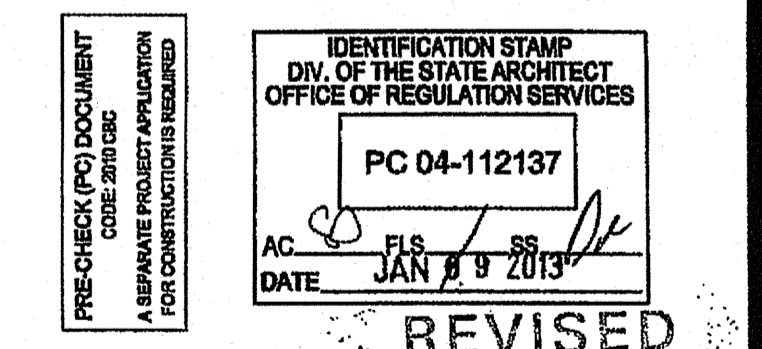
ARCHITECT OF RECORD
 SUBMISSION DATE: SEP 19 2012



PROJECT SPECIFIC STATE AGENCY APPROVAL



ORIGINAL PC STATE AGENCY APPROVAL



REVISIONS

REVISIONS	
REVISED LANDING TO SHOW 4 PIECES	12/12/2012

SILVER CREEK INDUSTRIES
 12' x 40' PC

PROJECT NO:
 DRAWN BY: ZARAGOZA
 SCALE: AS NOTED
 DATE: 12-12-12

P.C. SHEET NUMBER

R-1.03