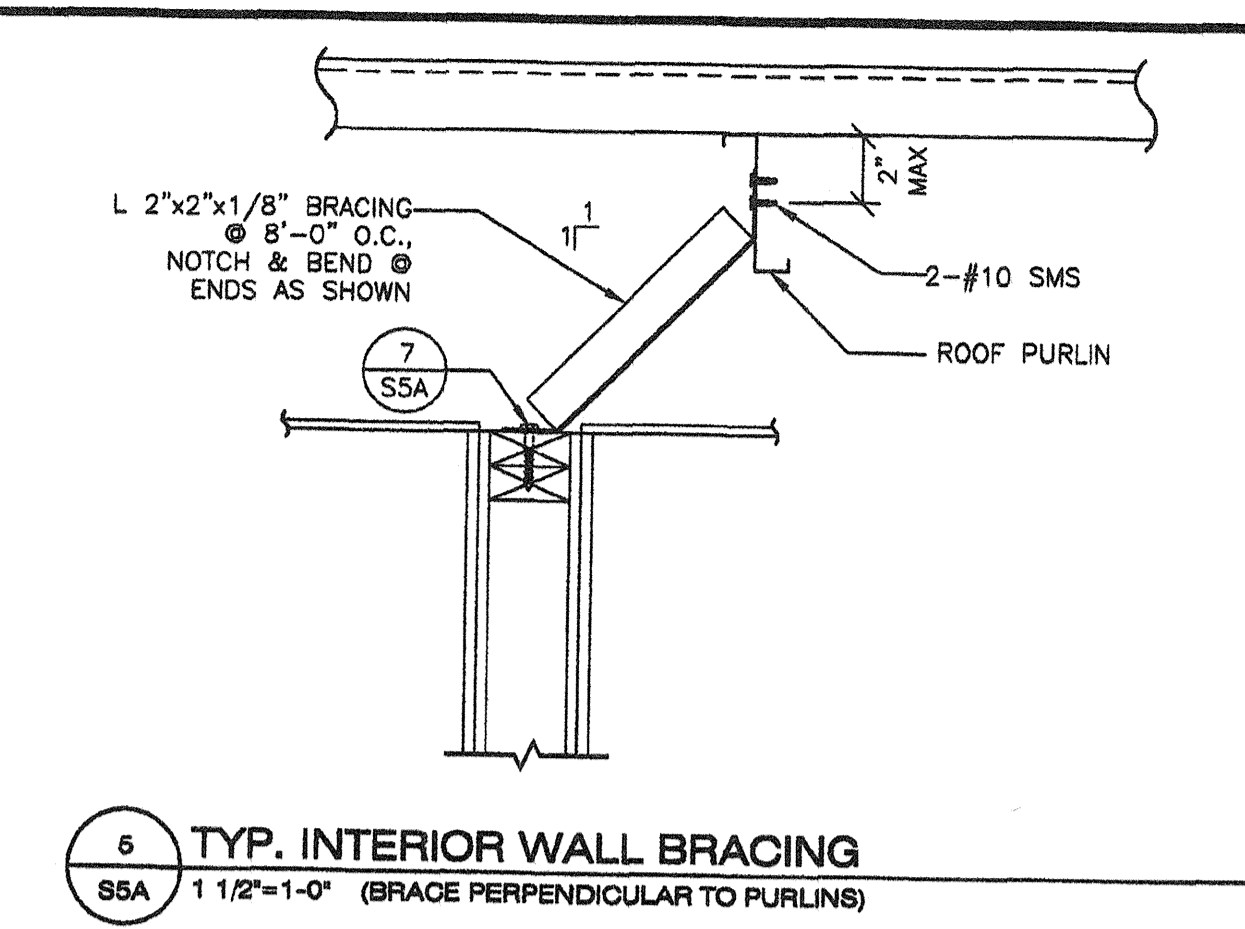
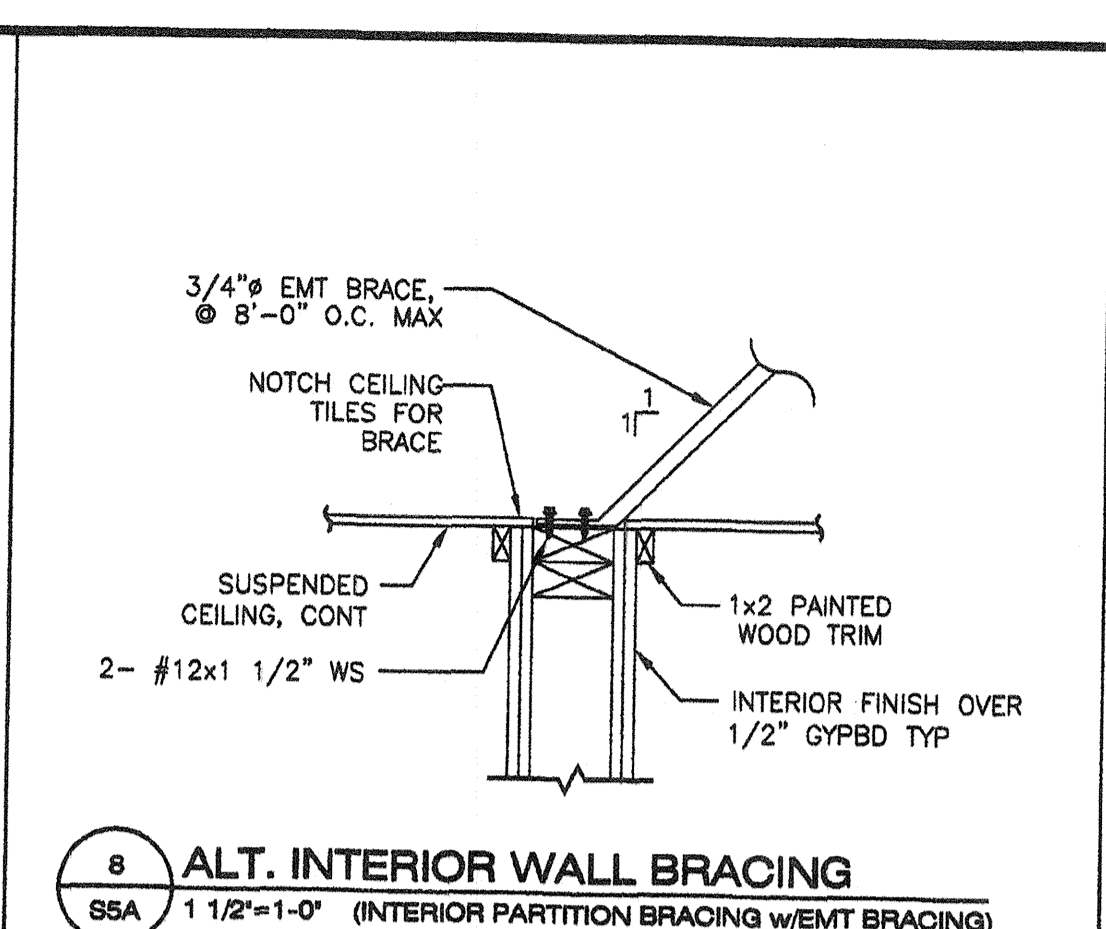


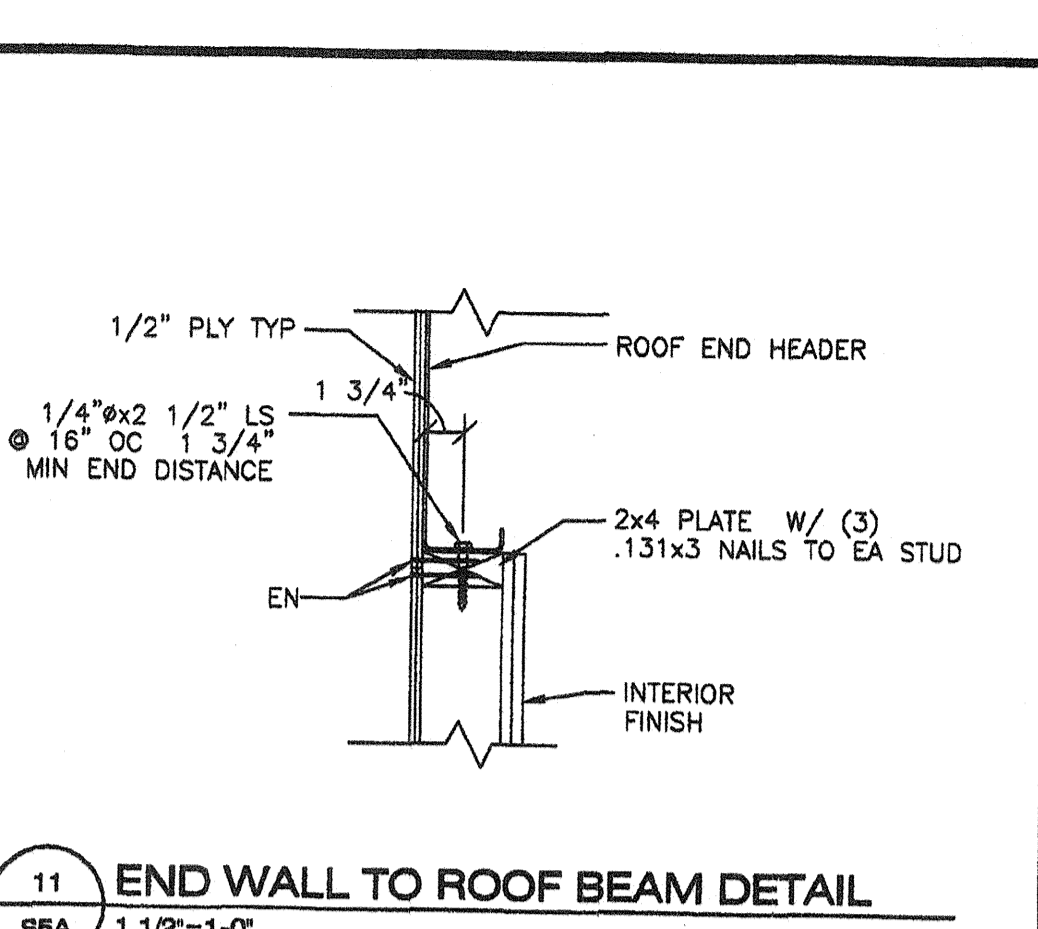
1 WALL TO COLUMN TYP DETAIL @ CORNER
SSA 1 1/2"-1-0"
FOR COLUMN LOCATION REFER TO ARCHITECTURAL DETAILS



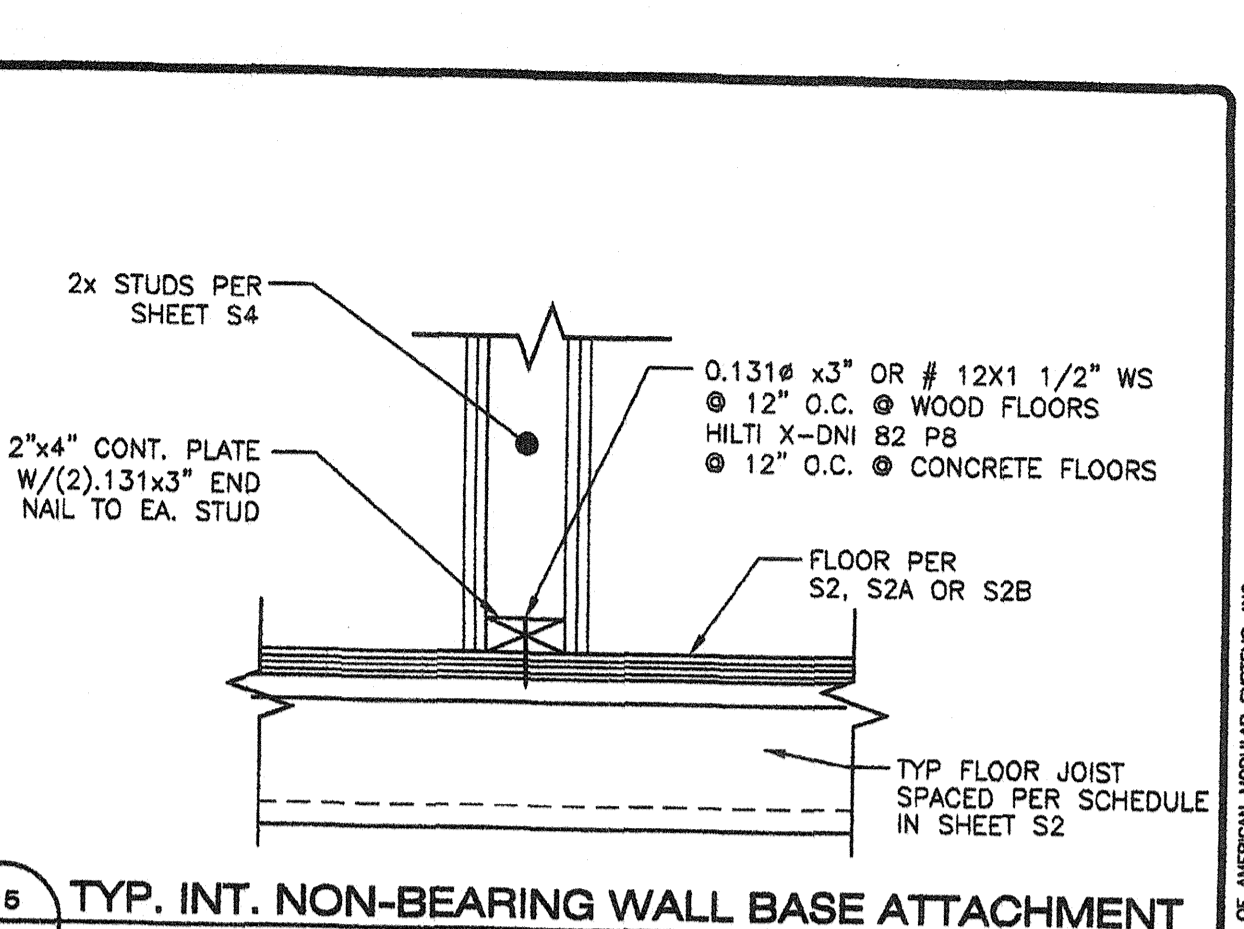
5 TYP. INTERIOR WALL BRACING
SSA 1 1/2"-1-0" (BRACE PERPENDICULAR TO PURLINS)



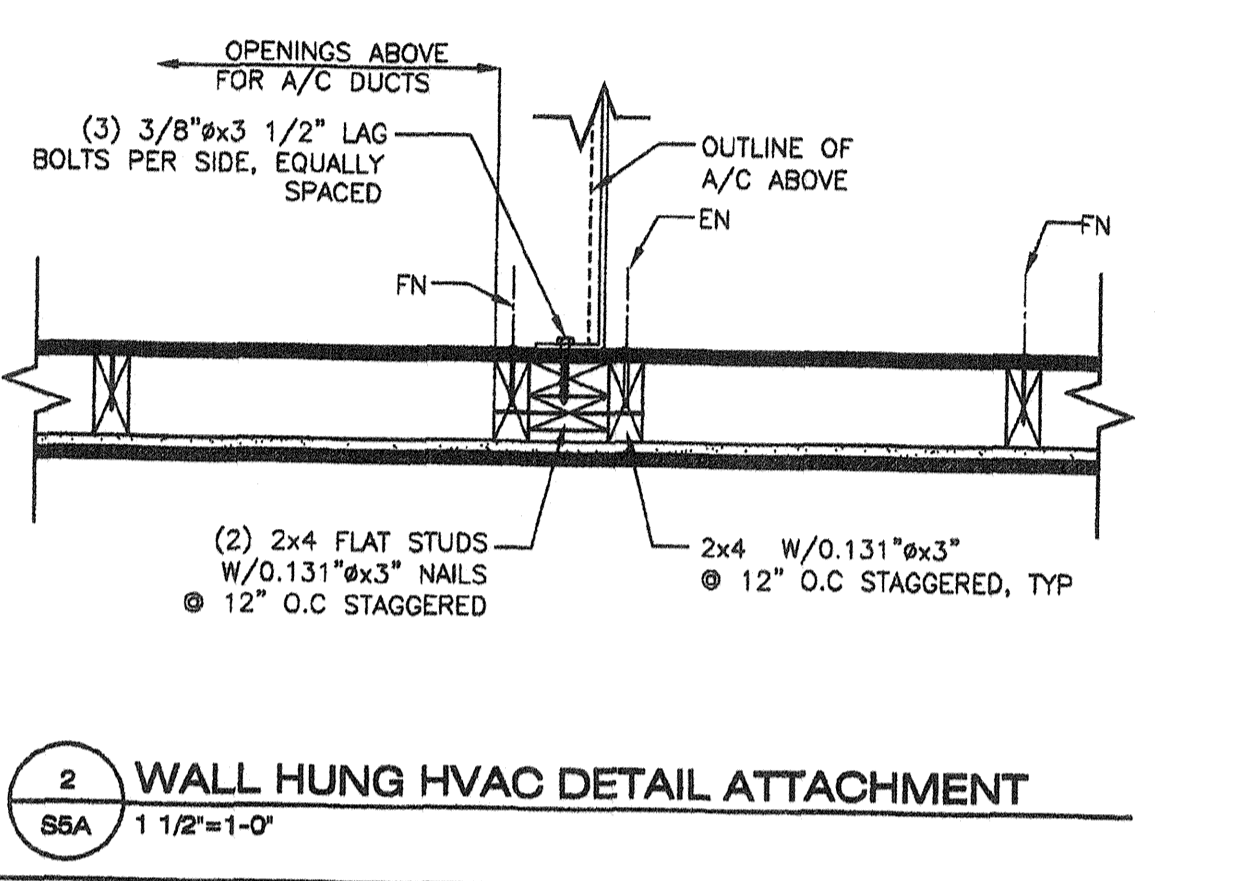
8 ALT. INTERIOR WALL BRACING
SSA 1 1/2"-1-0" (INTERIOR PARTITION BRACING w/EMT BRACING)



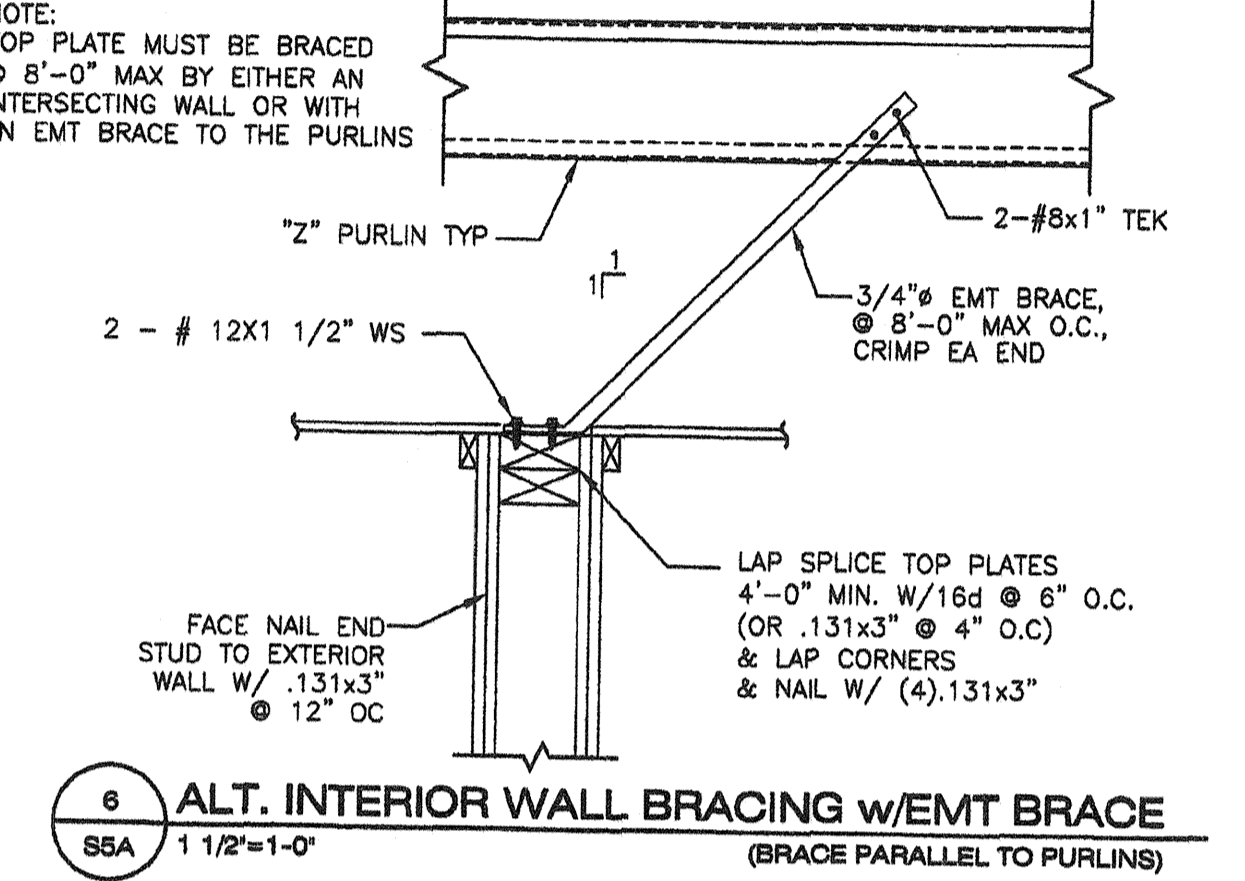
11 END WALL TO ROOF BEAM DETAIL
SSA 1 1/2"-1-0"



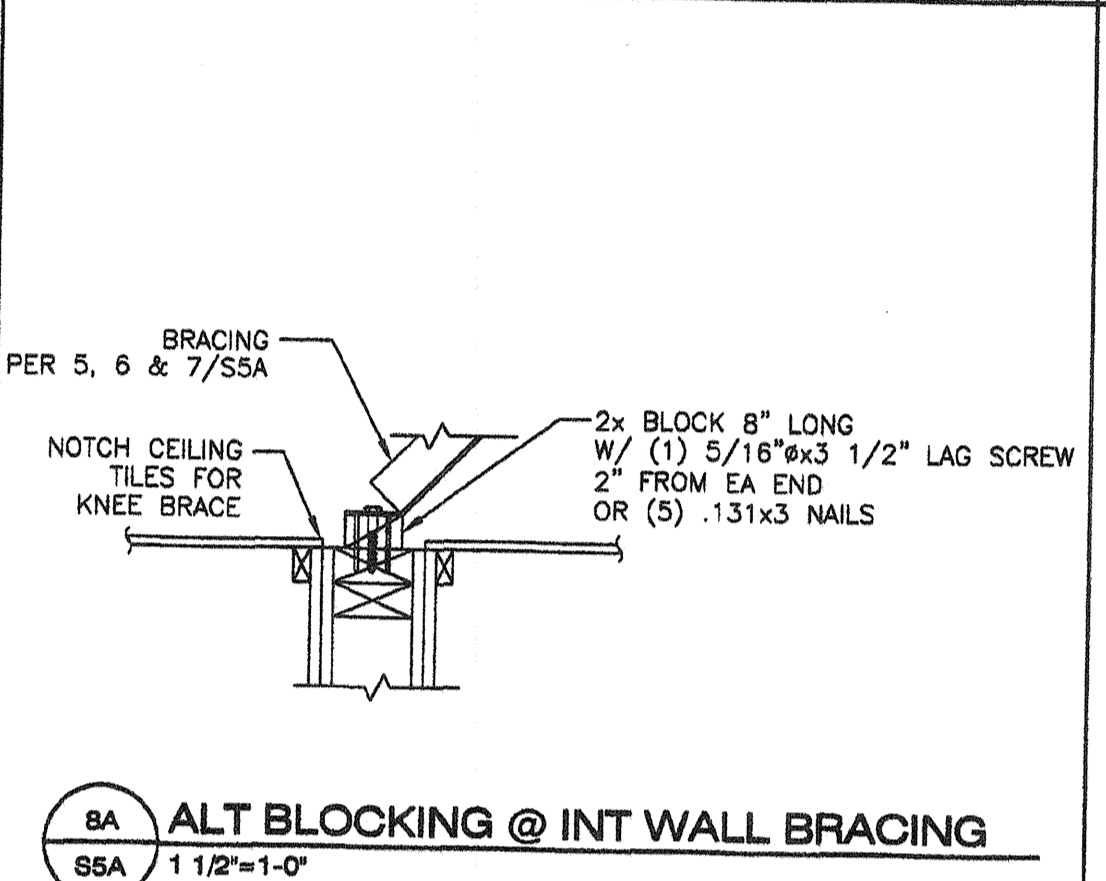
15 TYP. INT. NON-BEARING WALL BASE ATTACHMENT
SSA 1 1/2"-1-0" (WALL PERPENDICULAR TO FLOOR JOISTS)



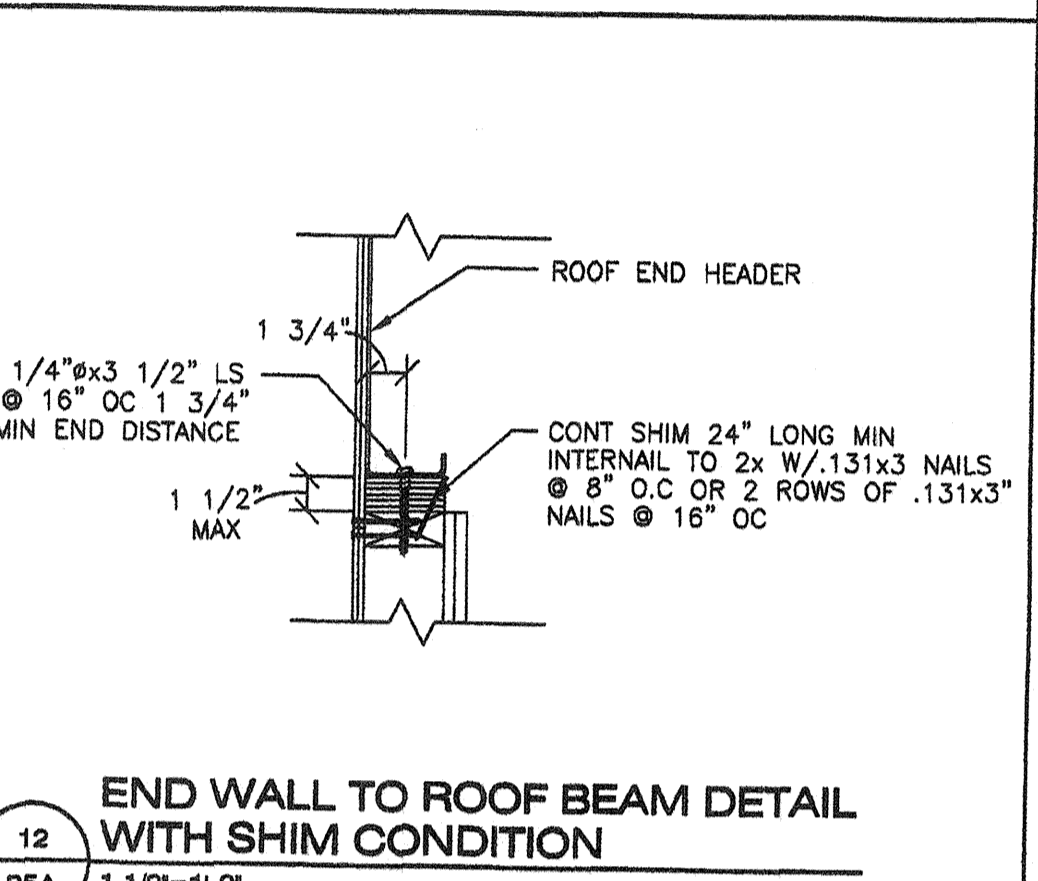
2 WALL HUNG HVAC DETAIL ATTACHMENT
SSA 1 1/2"-1-0"



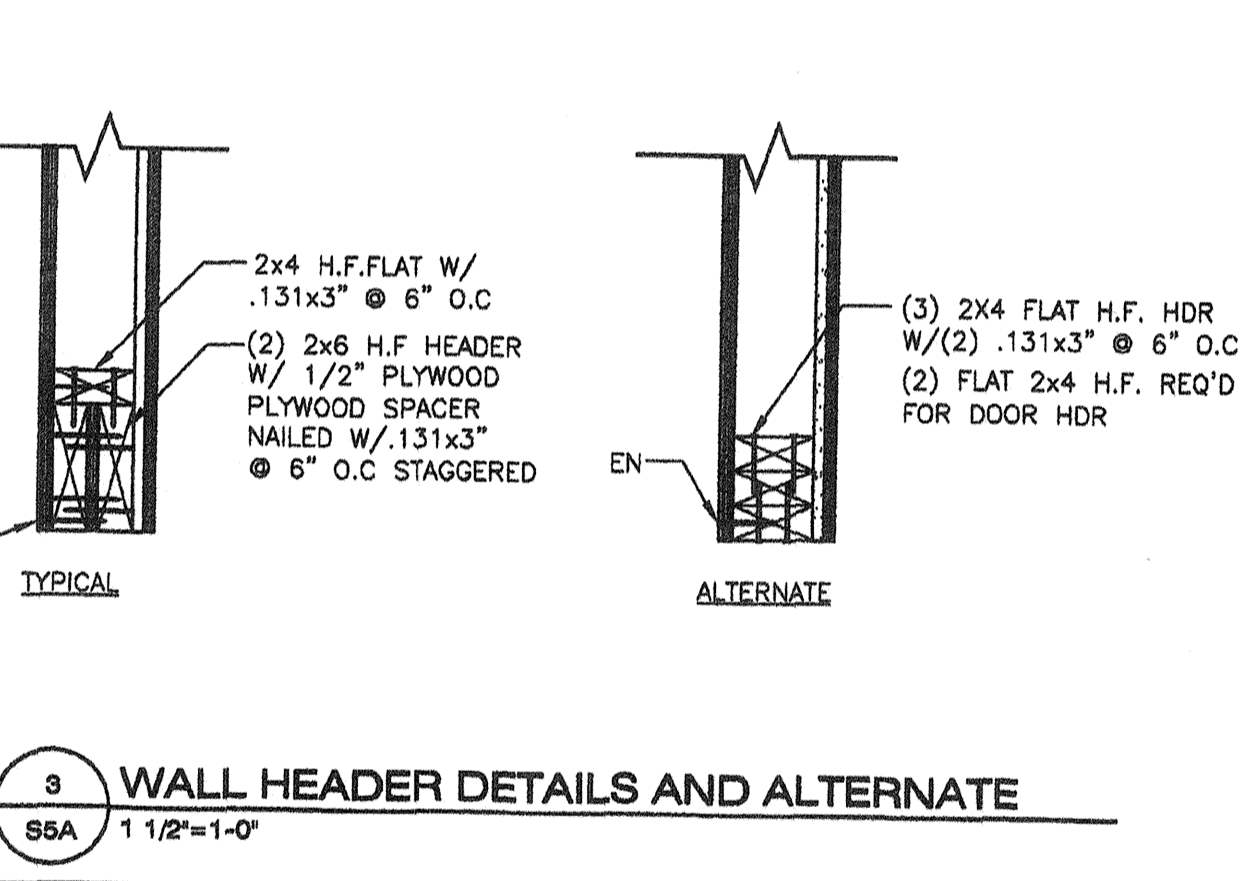
6 ALT. INTERIOR WALL BRACING w/EMT BRACE
SSA 1 1/2"-1-0" (BRACE PARALLEL TO PURLINS)



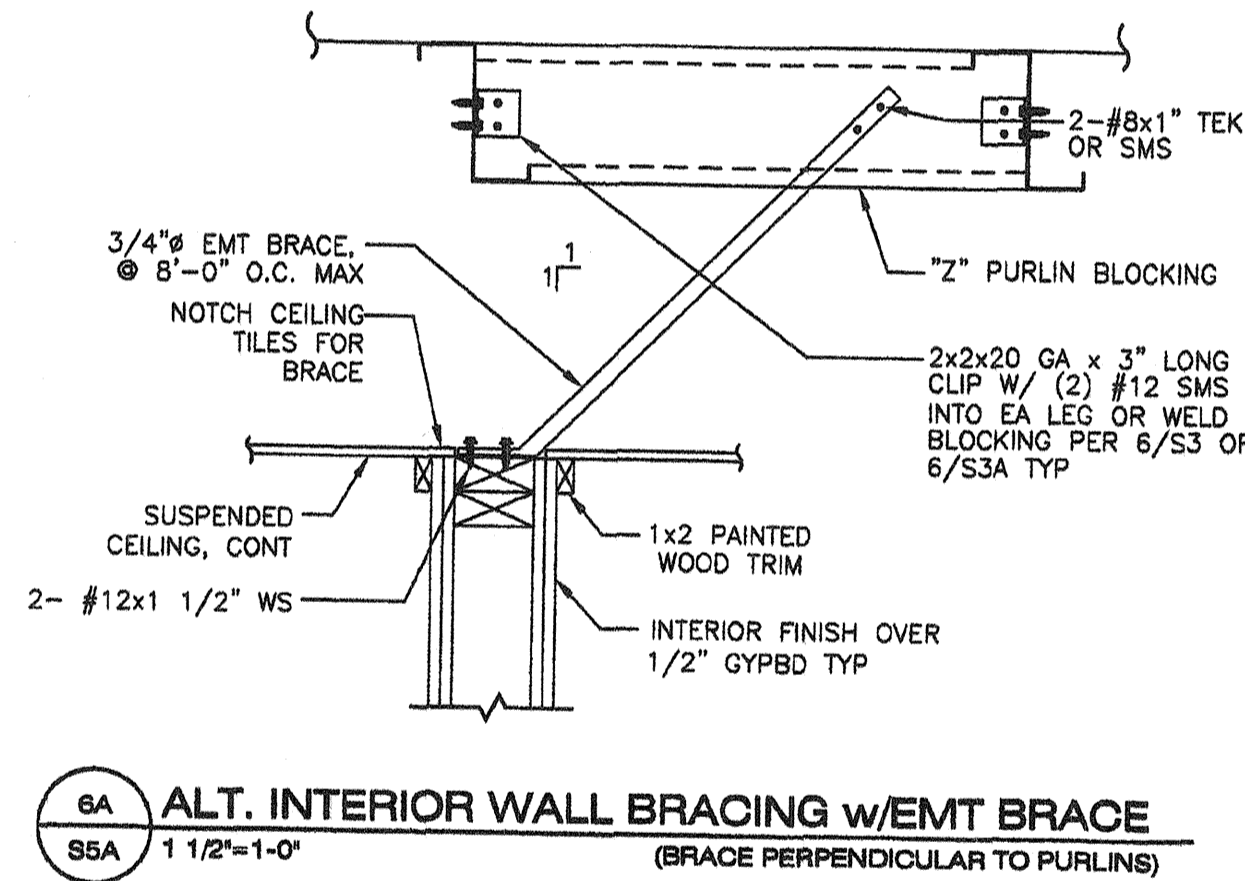
8A ALT BLOCKING @ INT WALL BRACING
SSA 1 1/2"-1-0"



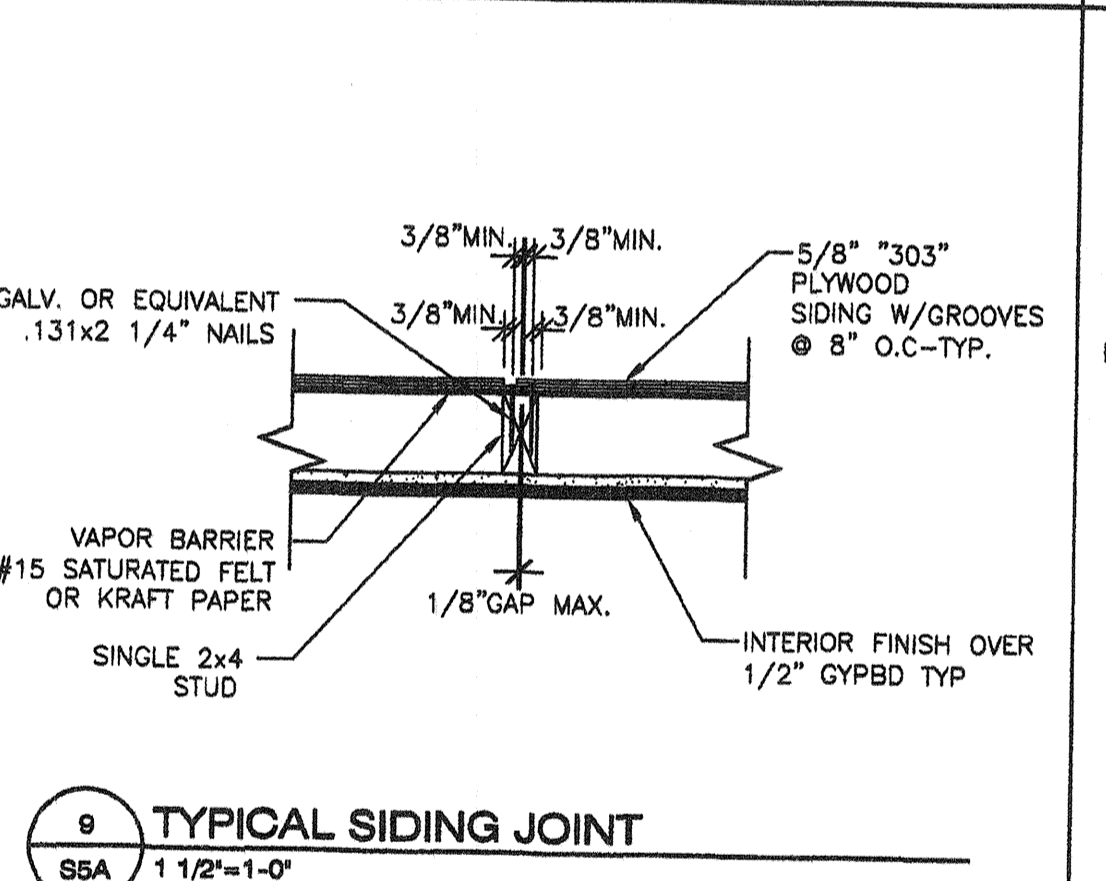
12 END WALL TO ROOF BEAM DETAIL WITH SHIM CONDITION
SSA 1 1/2"-1-0"



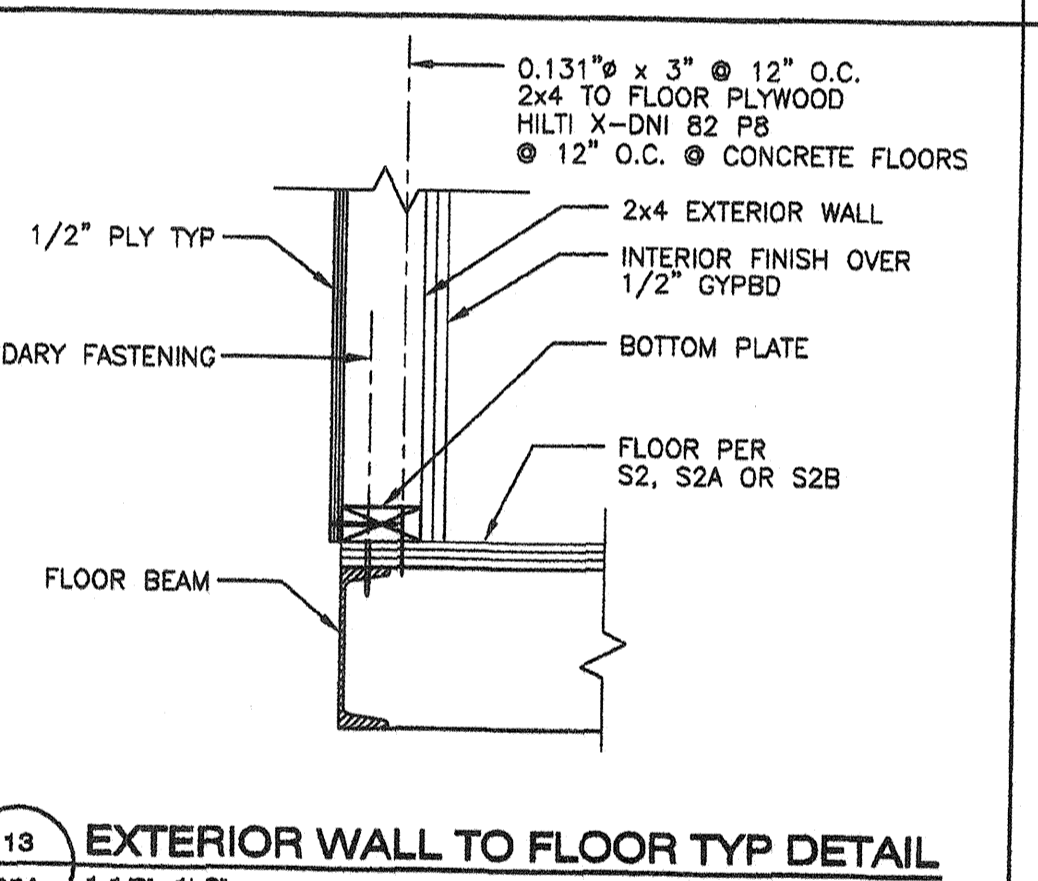
3 WALL HEADER DETAILS AND ALTERNATE
SSA 1 1/2"-1-0"



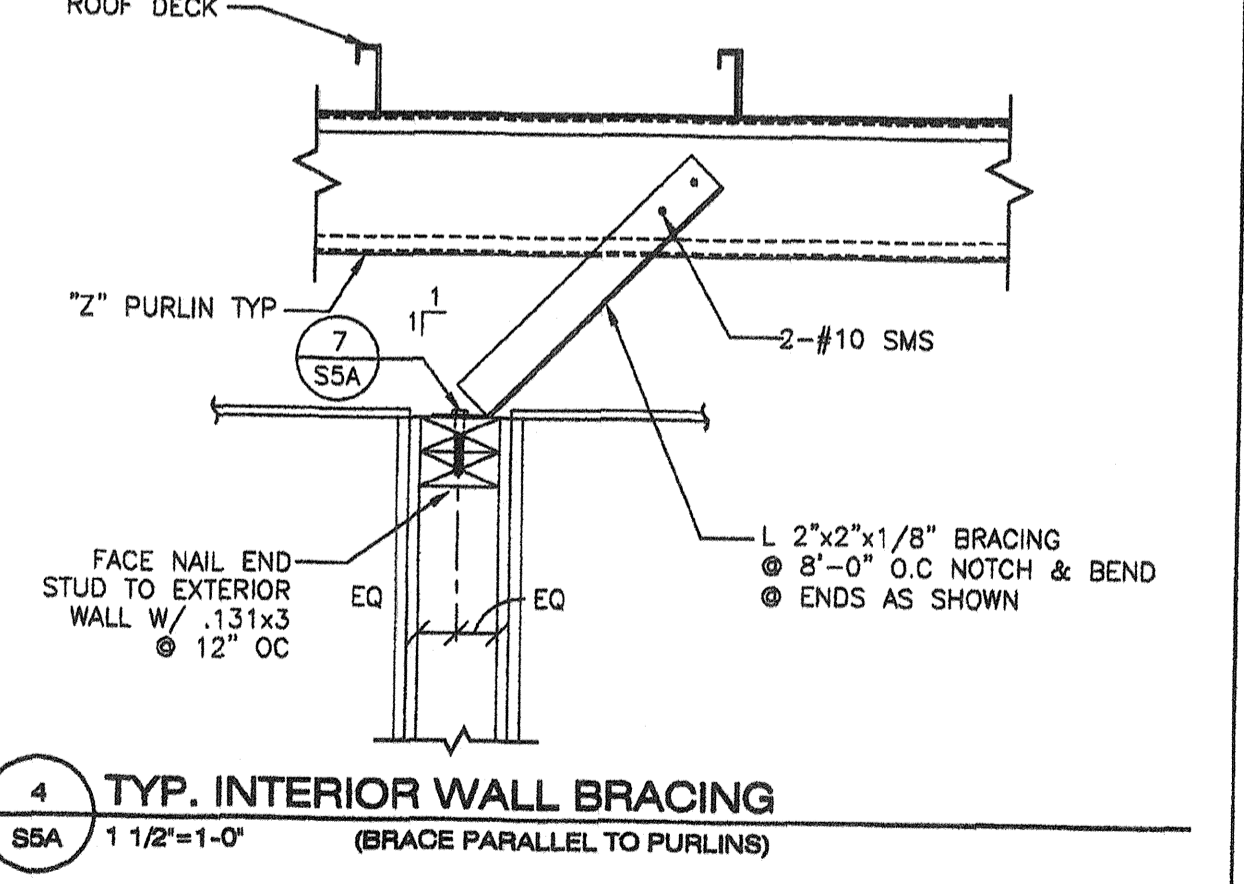
6A ALT. INTERIOR WALL BRACING w/EMT BRACE
SSA 1 1/2"-1-0" (BRACE PERPENDICULAR TO PURLINS)



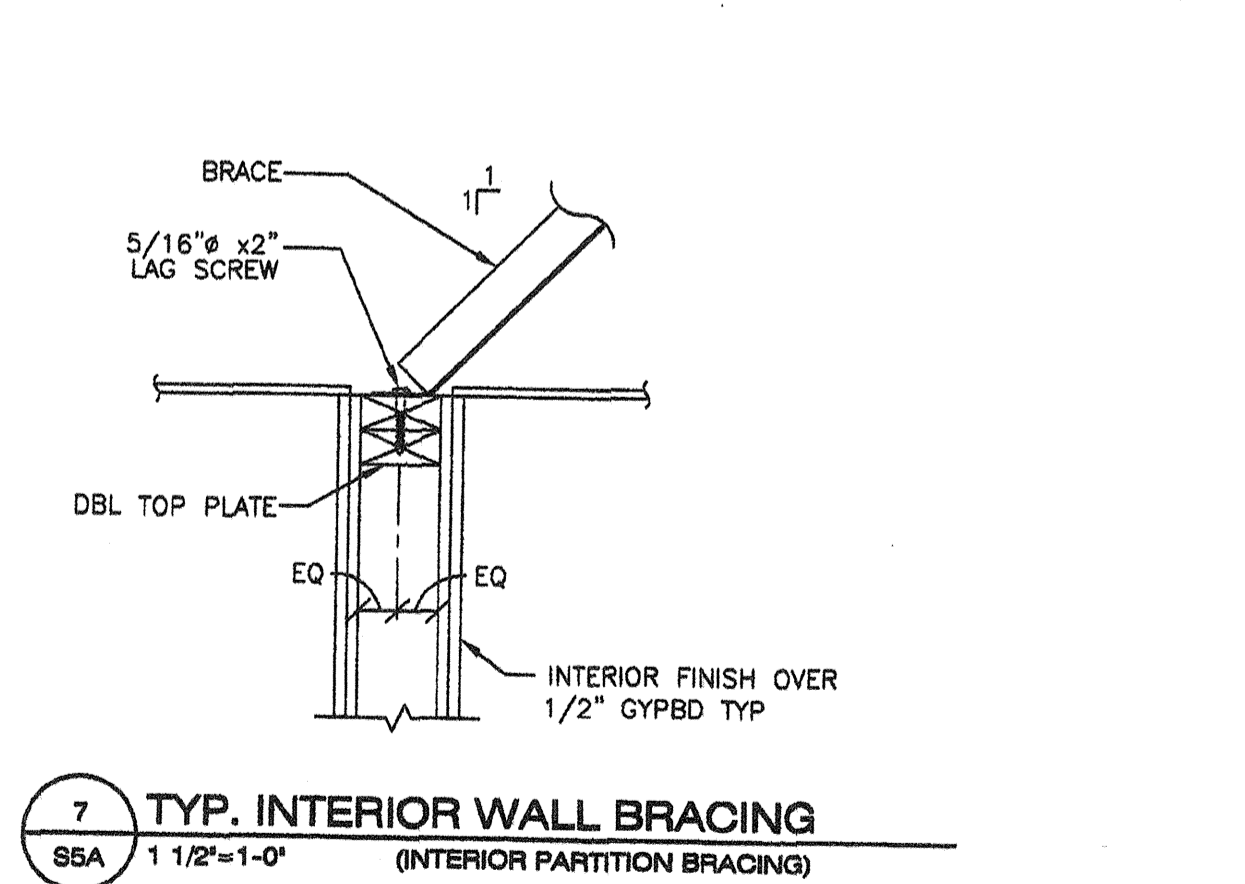
9 TYPICAL SIDING JOINT
SSA 1 1/2"-1-0"



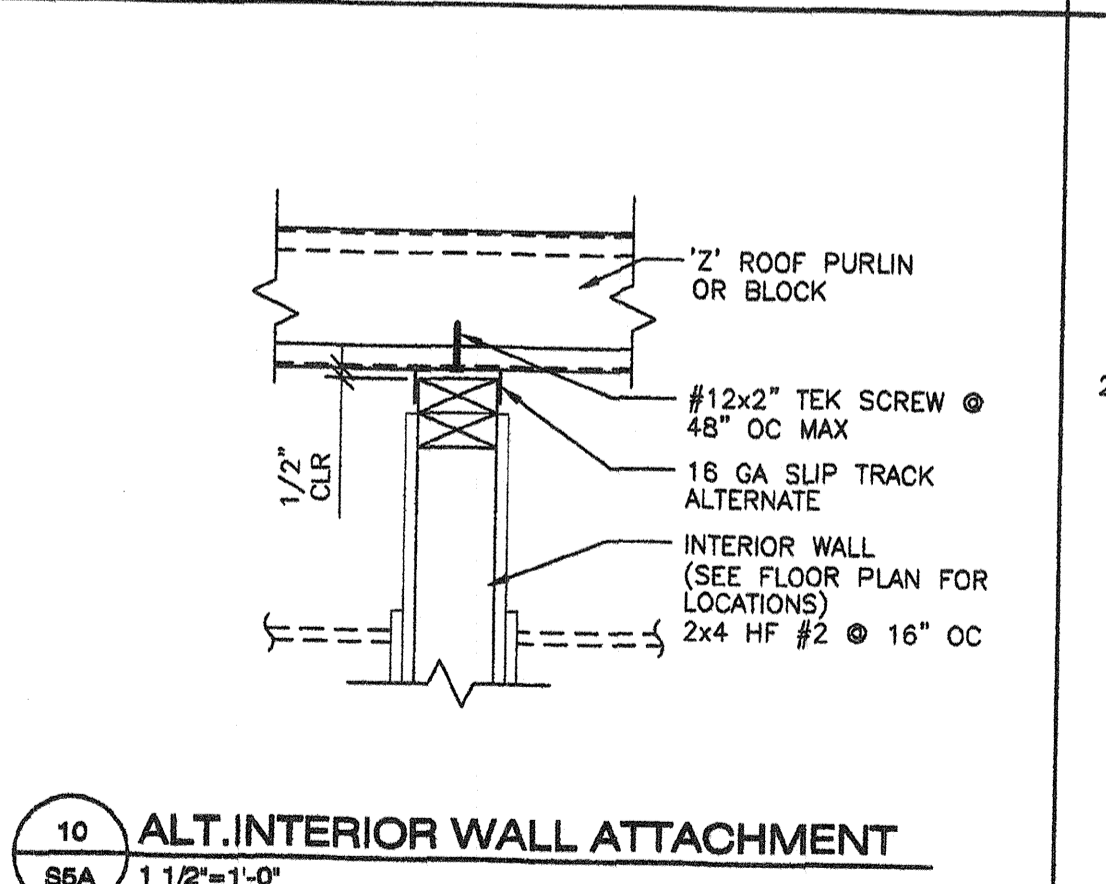
13 EXTERIOR WALL TO FLOOR TYP DETAIL
SSA 1 1/2"-1-0"



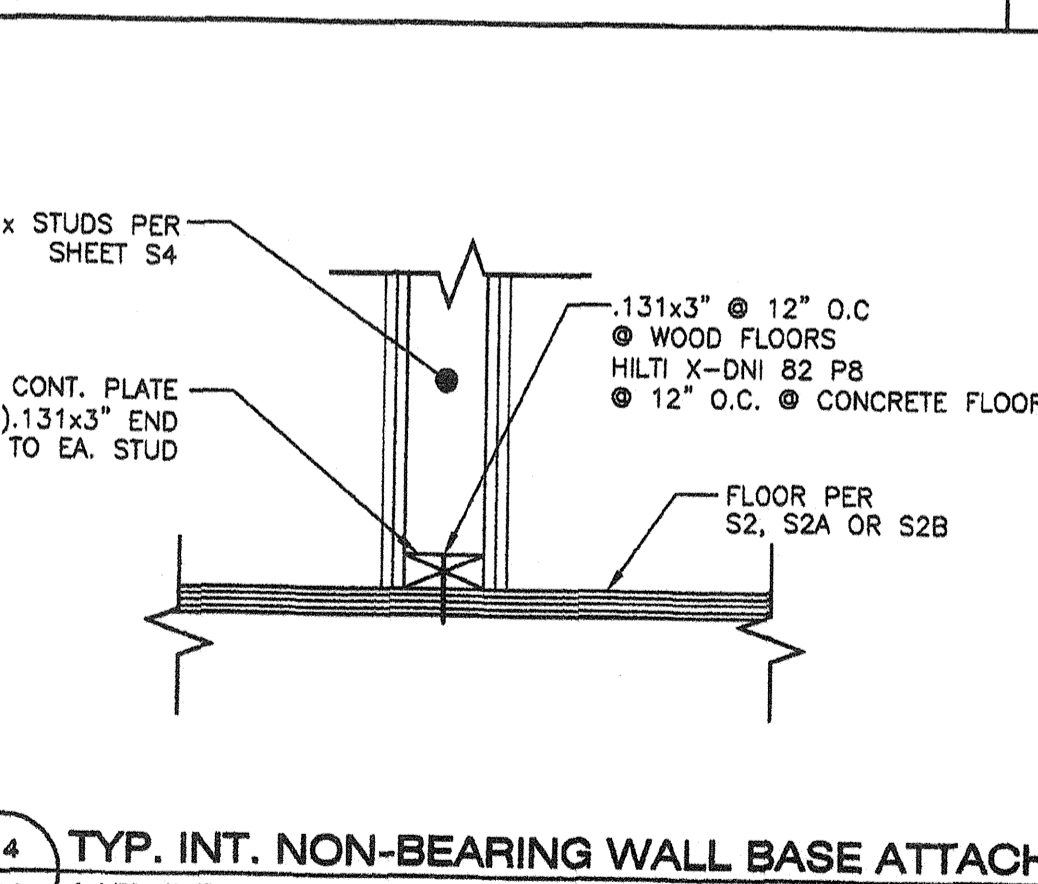
4 TYP. INTERIOR WALL BRACING
SSA 1 1/2"-1-0" (BRACE PARALLEL TO PURLINS)



7 TYP. INTERIOR WALL BRACING
SSA 1 1/2"-1-0" (INTERIOR PARTITION BRACING)



10 ALT. INTERIOR WALL ATTACHMENT
SSA 1 1/2"-1-0"



14 TYP. INT. NON-BEARING WALL BASE ATTACHMENT
SSA 1 1/2"-1-0" (WALL PARALLEL TO FLOOR JOISTS)

REVISIONS		
NO.	DATE	DESCRIPTION

DATE: 02/25/08
SCALE: NOTED
DRAWN BY: DM
SERIAL NO.:

CUSTOMER:
**12' x 40' RELOCATABLE BUILDINGS
WALL FRAMING DETAILS**

AMS
American Modular Systems Inc.
787 Sorekels Ave, Manteca, CA 95336
(209)825-1921 Fax: (209)825-7018
americanmodular.com

APPROVALS:
THESE DRAWINGS ARE PRELIMINARY AND NOT FOR CONSTRUCTION UNLESS STAMPED & SIGNED BY THE ENGINEER OF RECORD.

REGISTERED PROFESSIONAL ENGINEER
Kenneth A. Latham
No. 1418
EXP. 3-31-11
Structural Engineer
STATE OF CALIFORNIA

IDENTIFICATION STAMP
DIV. OF THE STATE ARCHITECT
OFFICE OF REGULATION SERVICES
PC 02-109808
AC. FLS. SE
DATE: 4/1/09

PROJECT NO.
S5A-R

THESE DRAWINGS AND SPECIFICATIONS ARE THE PROPERTY OF AMERICAN MODULAR SYSTEMS, INC. AND ARE NOT TO BE REPRODUCED, CHANGED OR COPIED IN ANY FORM OR MANNER, NOR ARE THEY TO BE ASSIGNED TO ANY THIRD PARTY WITHOUT THE WRITTEN AUTHORIZATION OF AMERICAN MODULAR SYSTEMS, INC.