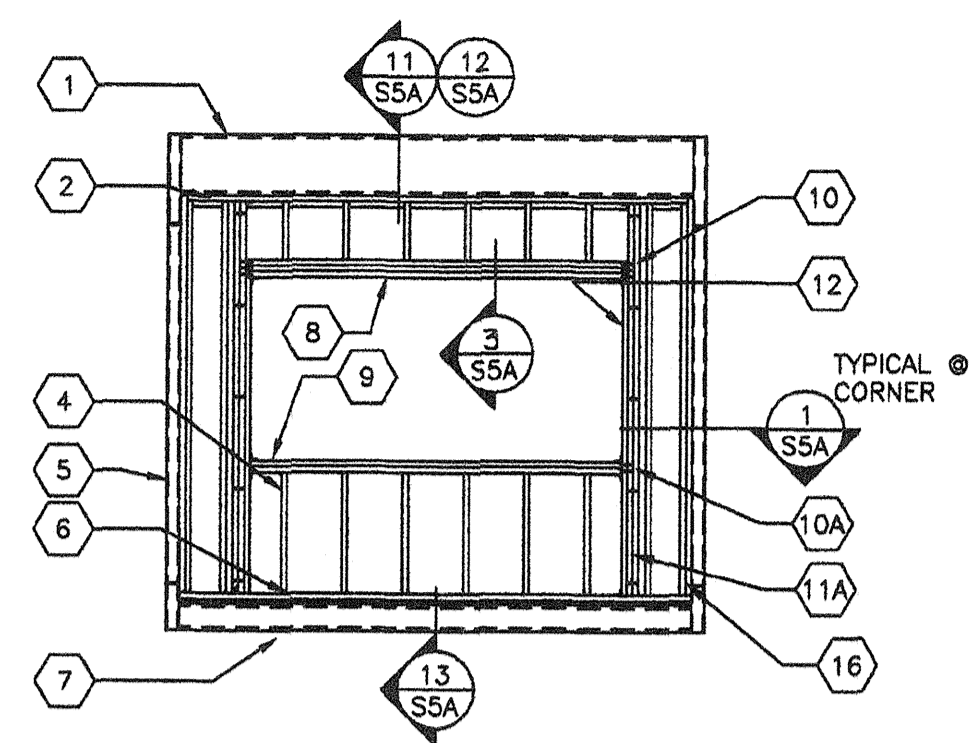
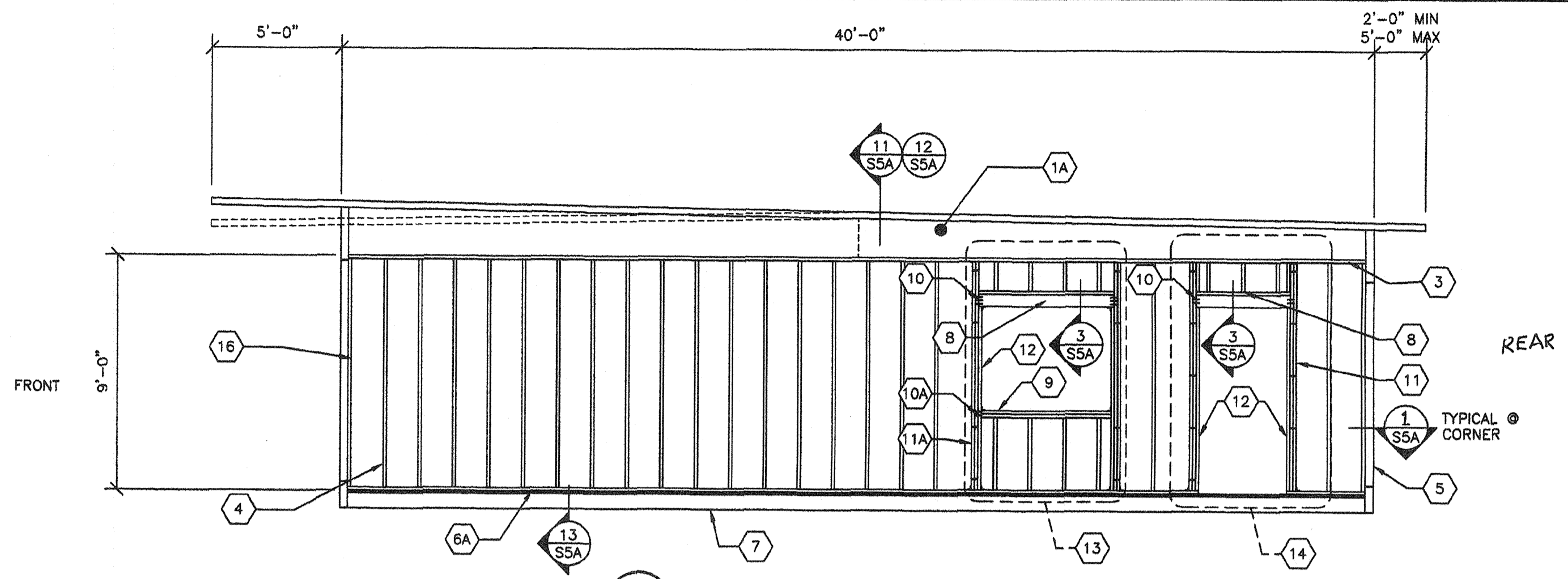


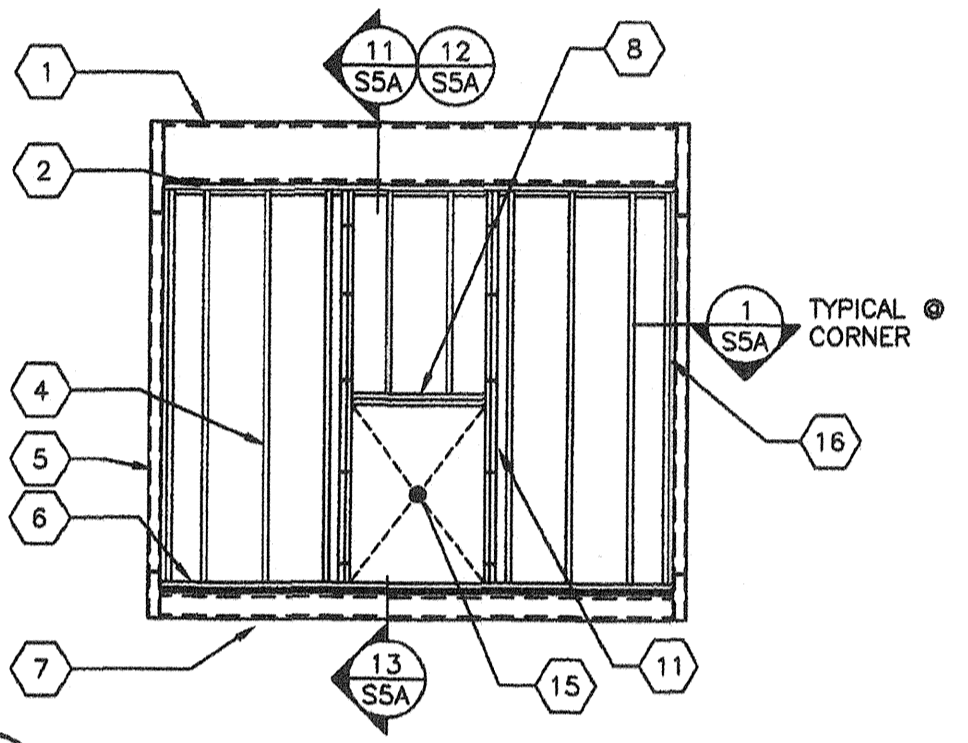
1 TYP END WALL FRAMING W/NO OPENINGS
S5 1/4"=1'-0"



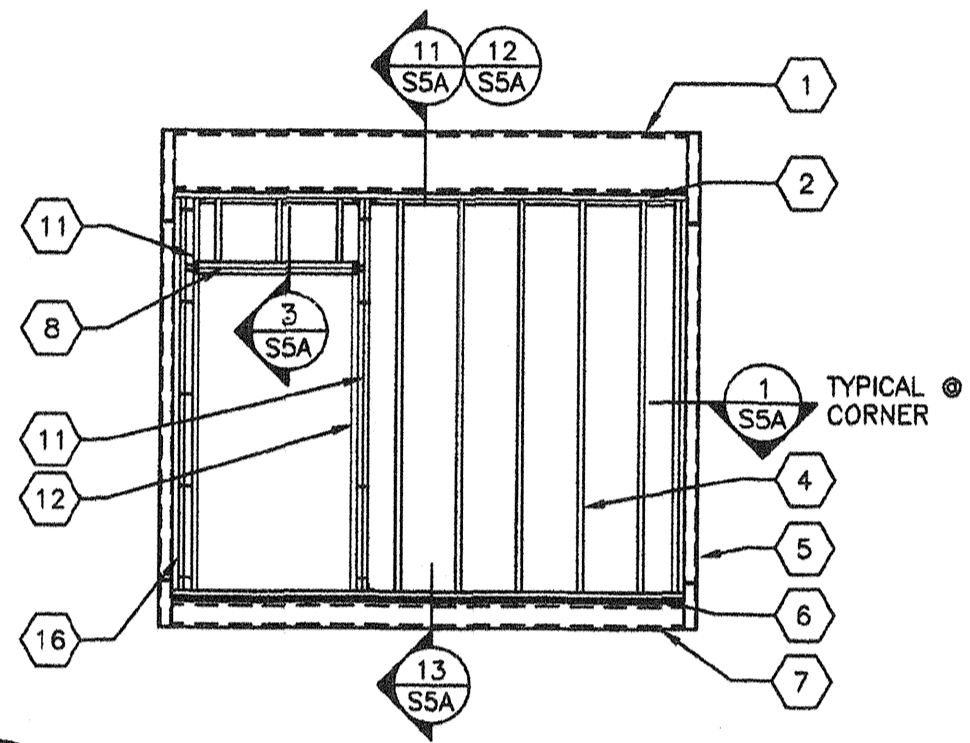
4 TYP END WALL FRAMING W/WINDOW
S5 1/4"=1'-0"



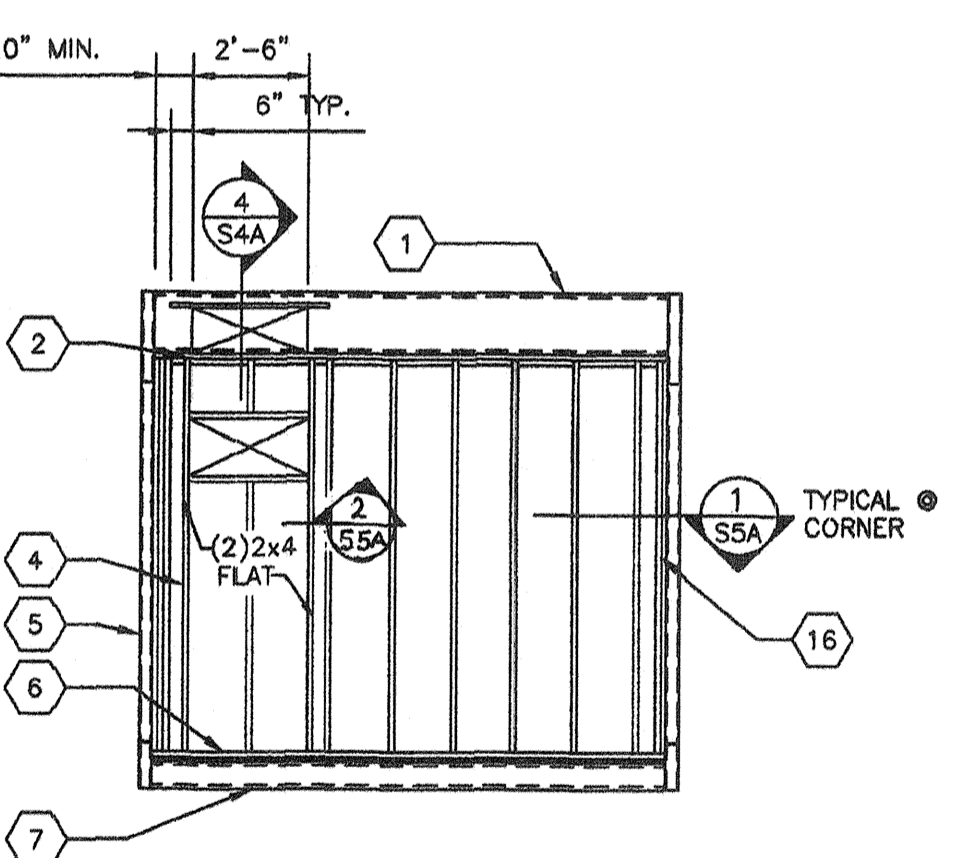
6 TYP SIDE WALL FRAMING
S5 1/4"=1'-0" (MONODUAL PITCH)



2 TYP END WALL FRAMING W/DOOR HVAC UNIT
S5 1/4"=1'-0" OPTIONAL



5 TYP END WALL FRAMING W/DOOR
S5 1/4"=1'-0"



3 TYP END WALL FRAMING W/WALL HUNG HVAC UNIT
S5 1/4"=1'-0" OPTIONAL

NOTE:
HVAC DUCT OPENING LOCATIONS MAY VARY
ANYWHERE ALONG 12 GA. CEE MEMBER.
(EXCEPT AS SHOWN ABOVE)
SEE SHEET 1 FOR OPENING LOCATION

EXTERIOR WALL FINISH/WALL STUD SCHEDULE

FINISH TYPE	FOUNDATION TYPE	WALL FINISH COMMENTS	STUD TYPE	STUD SPACING TYPICAL	STUD SPACING @ CORNERS
5/8" PLYWOOD SHEATHING 303 CONFORMING TO PS1-95. VERTICAL GROOVES @ 8" OC	WOOD OR CONCRETE	JOINT DETAIL SEE 9/SSA NAILING PER BLDG SECTIONS	HEM FIR #2 DOUG FIR #2	@ 16" OC @ 16" OC	@ 16" OC @ 16" OC
3/8" HARDIBOARD WITH SYNTHETIC STUCCO 3/8" HARDI-LAP SIDING	WOOD OR CONCRETE	PER SHEETS A5, A5A, A6 & A6A	HEM FIR #2 DOUG FIR #2	@ 16" OC @ 16" OC	@ 16" OC @ 16" OC
1/2" PLYWOOD SHEATHING CONFORMING TO PS1-95, APA RATED, 5 PLY 32/16, EXPOSURE 1 WITH 3/8" STUCCO	CONCRETE ONLY	NAILING PER BLDG SECTIONS	HEM FIR #2 DOUG FIR #2	@ 16" OC @ 16" OC	@ 12" OC @ 16" OC

- ALL NAILS IN EXTERIOR APPLICATIONS TO BE GALVANIZED.
- WALL CORNERS ARE DEFINED AS A DISTANCE OF 8 FEET IN BOTH DIRECTIONS FROM EACH CORNER OF BUILDINGS WITH 2160 SQ. FT. OR GREATER AND A DISTANCE OF 3 FEET IN BOTH DIRECTIONS FROM EACH CORNER OF BUILDINGS WITH LESS THAN 2160 SQ. FT.
- TYPICAL PLYWOOD NAILING WHERE OCCURS .131x2 1/4" GALV @ 6" O.C E.N. & 12" O.C F.N.

- KEY NOTES -
- 1 ROOF HEADER
 - 1A ROOF BEAM
 - 2 2x4 PLATE NO SPLICE
 - 3 2x4 PLATE
 - 4 2x4 STUDS SPACED PER SCHEDULE TYP. W/ (3) .131x3" NAILS @ EA END
 - 5 HSS COLUMN
 - 6 2x4 BOTTOM PLATE NO SPLICES
 - 6A 2x4 BOTTOM PLATE
 - 7 PERIMETER FLOOR BEAM
 - 8 (2) 2x6 W/ 2x4 FLAT HEADER ALT. (3) FLAT 2x4 HEM FIR. PER DETAIL 3/SSA
 - 9 (2) 2x4 HEM FIR #2 WINDOW SILL PLATE (3) 2x4 HEM FIR #2 OR (2) 2x4 DOUG FIR #2 @ 8" WIDE WINDOW SILL PLATE WITH STUCCO FINISH ONLY
 - 10 (5).131x3" END NAILS THROUGH KING STUD TYP
 - 10A (3) .131x3" END NAILS THROUGH KING STUD, TYP.
 - 11 (2) 2x4 KING STUDS W/ (2) A34 T&B TO PLATE (INTERNAL W/O .131 NAILS @ 14" OC TYP MAX.)
 - 11A (3) 2x4 KING STUDS W/ (2) A34 T&B TO PLATE (INTERNAL W/O .131 NAILS @ 14" OC TYP MAX.)
 - 12 2x4 TRIMMER
 - 13 OPTIONAL WINDOW OPENING MAX 8'-0" WIDE (REFER TO 4/S5 FOR DETAILS AND FLOOR PLANS FOR LOCATIONS)
 - 14 OPTIONAL DOOR OPENING (REFER TO 5/S5 FOR DETAILS AND FLOOR PLANS FOR LOCATIONS)
 - 15 HVAC OPENINGS @ INDOOR UNIT
 - 16 2x NAILER

REVISIONS

NO	DATE	DESCRIPTION

DATE: 02/26/08
SCALE: NOTED
DRAWN BY: DIM
SERIAL NO.:

CUSTOMER:
12' x 40' RELOCATABLE BUILDINGS
WALL FRAMING ELEVATIONS

AMS
American Modular Systems Inc.
787 Sprucecove Ave. Marietta, GA 30066
(800)925-1021 Fax (800)925-7018
americanmodular.com

APPROVALS:
THESE DRAWINGS ARE PRELIMINARY AND NOT FOR CONSTRUCTION UNLESS STAMPED & SIGNED BY THE ENGINEER OF RECORD.
Kenneth A. Lillard
No. 1418
Exp. 9-31-11
Structural Engineer
STATE OF CALIFORNIA

REGISTRATION STAMP
DIV. OF THE STATE ARCHITECT
OFFICE OF REGULATION SERVICES
C3 118569
AC 4/15
DATE 9-2-2010

IDENTIFICATION STAMP
DIV. OF THE STATE ARCHITECT
OFFICE OF REGULATION SERVICES
PC 02-109808
AC FL 5/17
DATE 4/1/09

PROJECT No.
S5-R

THESE DRAWINGS AND SPECIFICATIONS ARE THE PROPERTY OF AMERICAN MODULAR SYSTEMS, INC. AND ARE NOT TO BE REPRODUCED, CHANGED OR COPIED IN ANY FORM OR MANNER, NOR ARE THEY TO BE ASSIGNED TO ANY THIRD PARTY WITHOUT THE WRITTEN AUTHORIZATION OF AMERICAN MODULAR SYSTEMS, INC.