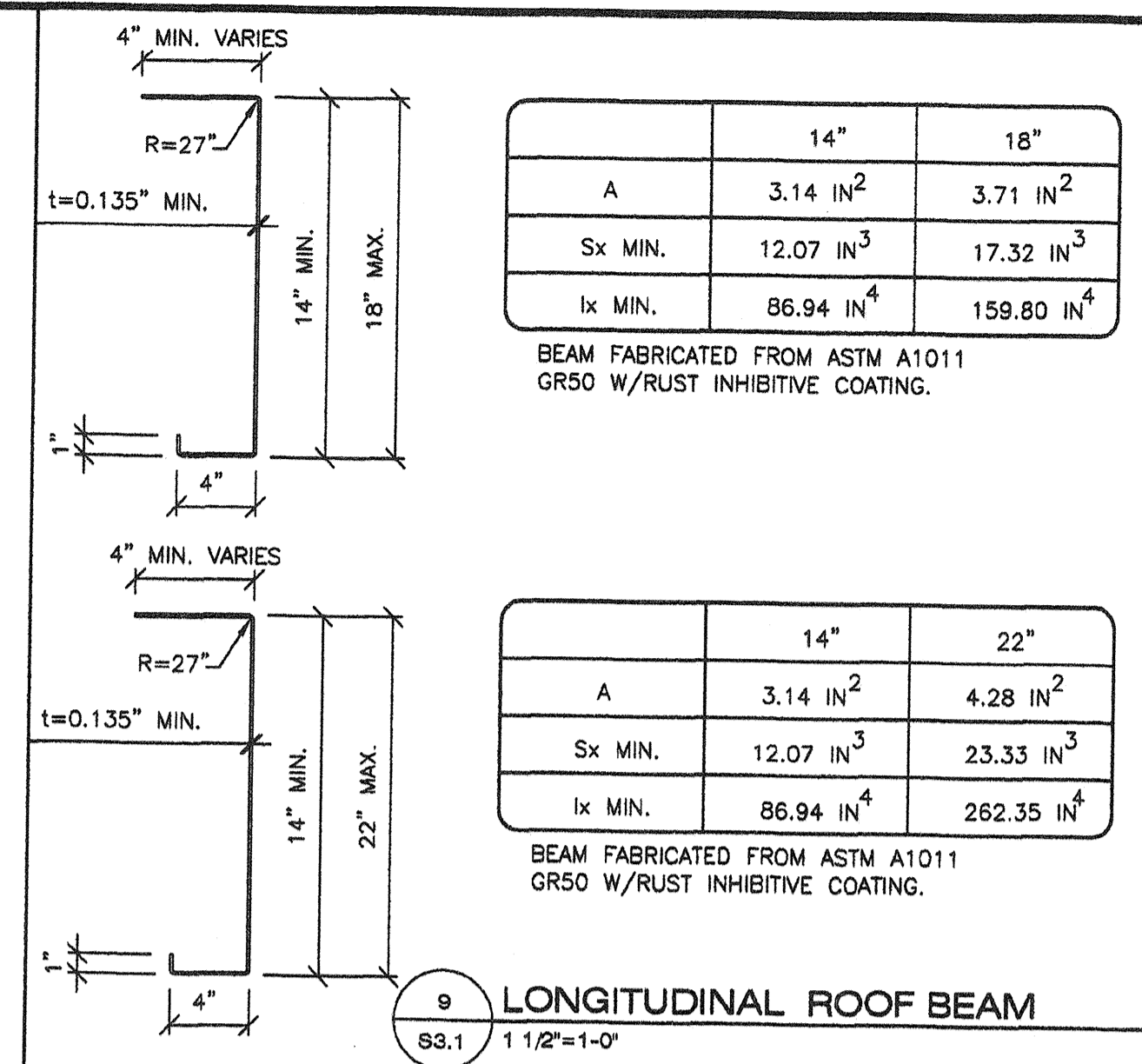
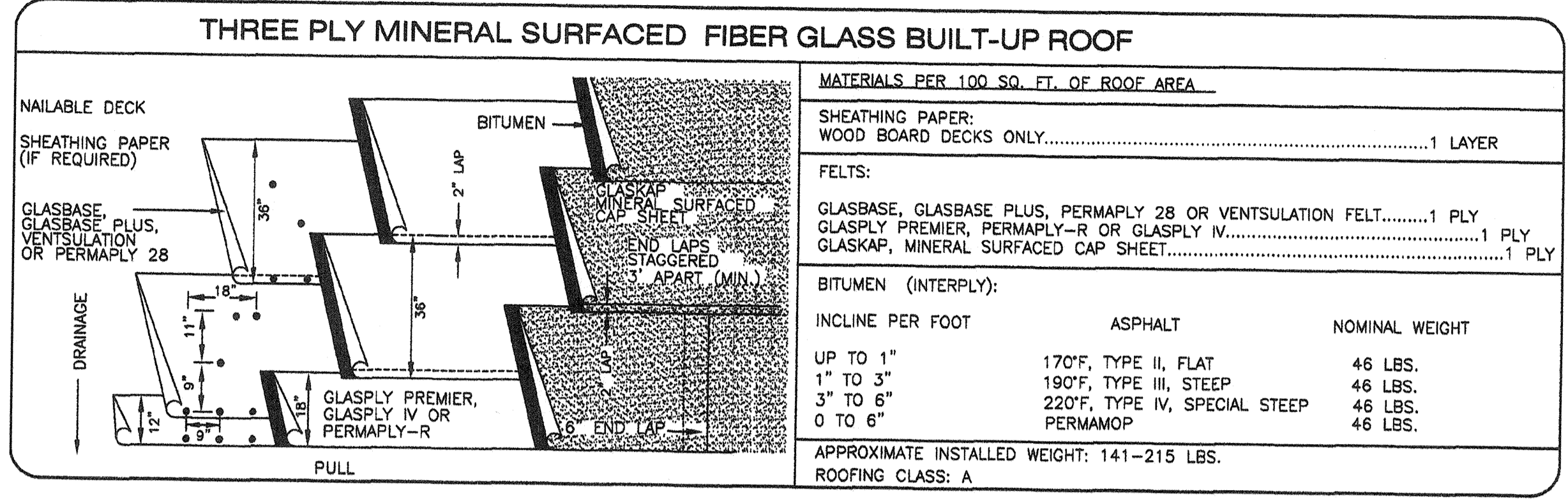


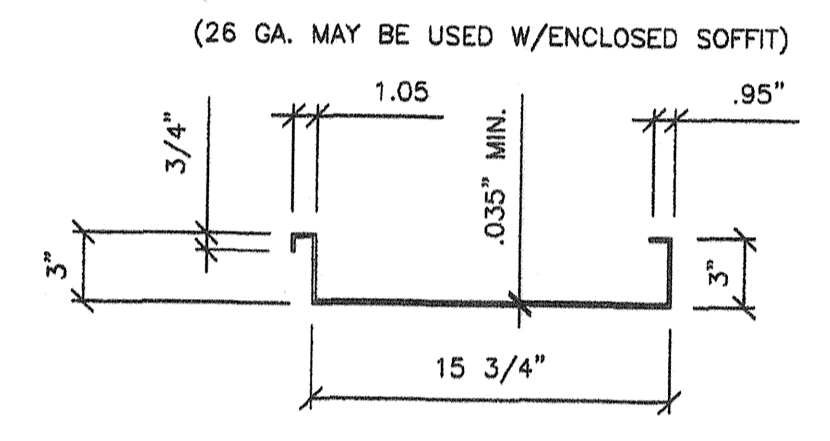
**6 BLOCKING DETAIL**  
S3.1 1 1/2"=1'-0"



**9 LONGITUDINAL ROOF BEAM**  
S3.1 1 1/2"=1'-0"



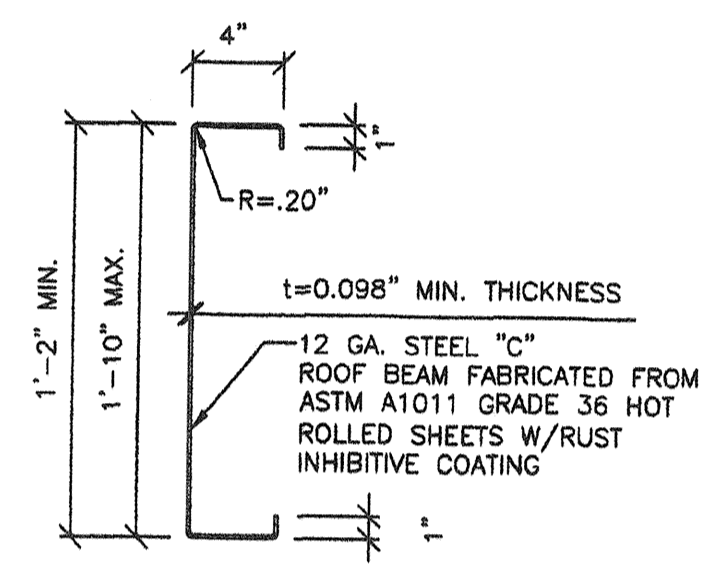
**12 THREE PLY MINERAL BUILT-UP ROOF**  
S3.1 1 1/2"=1'-0"



$S_x(t) = 0.418 \text{ IN}^3$   
 $S_x(b) = 1.412 \text{ IN}^3$   
 $I_x = 0.968 \text{ IN}^4$

PAN FABRICATED FROM ASTM A1011 GRADE 36, HOT ROLLED SHEETS. PAN TO BE GIVEN A RUST INHIBITIVE COATING.

**7 20 GA. ROOF PAN**  
S3.1 1 1/2"=1'-0"



TYPICAL SECTION

C SECTION PROPERTIES

D=1'-2"

A=2.36 IN<sup>2</sup>

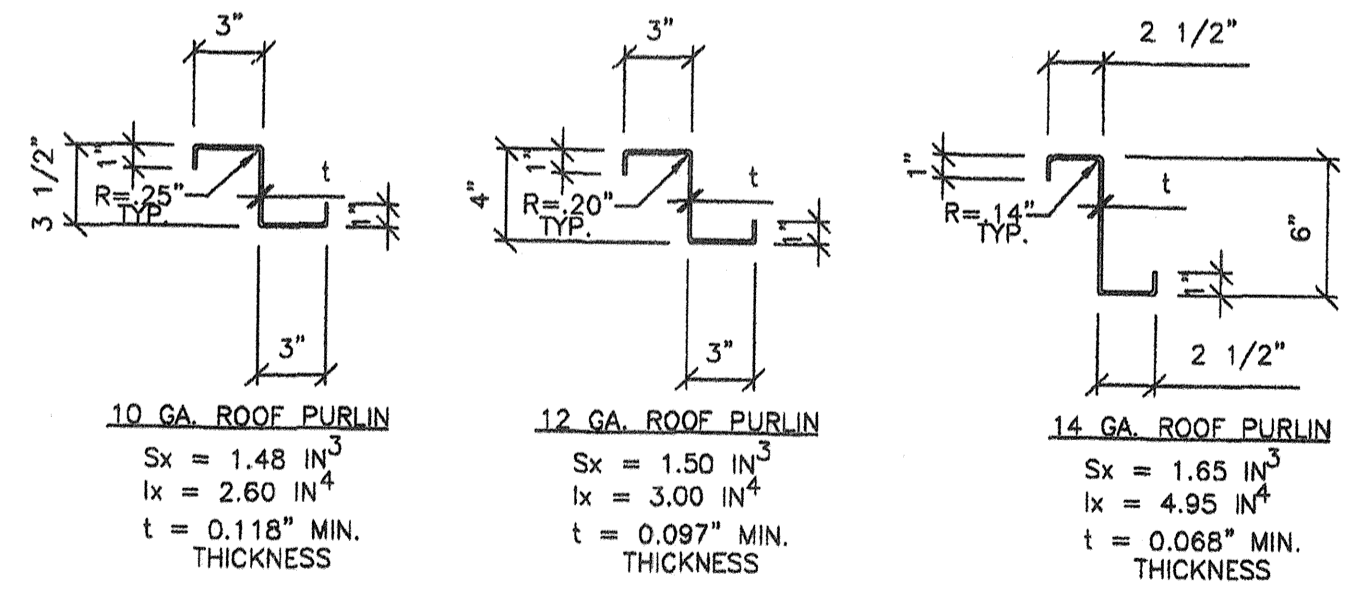
Sx=9.57 IN<sup>3</sup>

Ix=67.02 IN<sup>4</sup>

**10 12 GA. ROOF CHANNEL**  
S3.1 1 1/2"=1'-0"

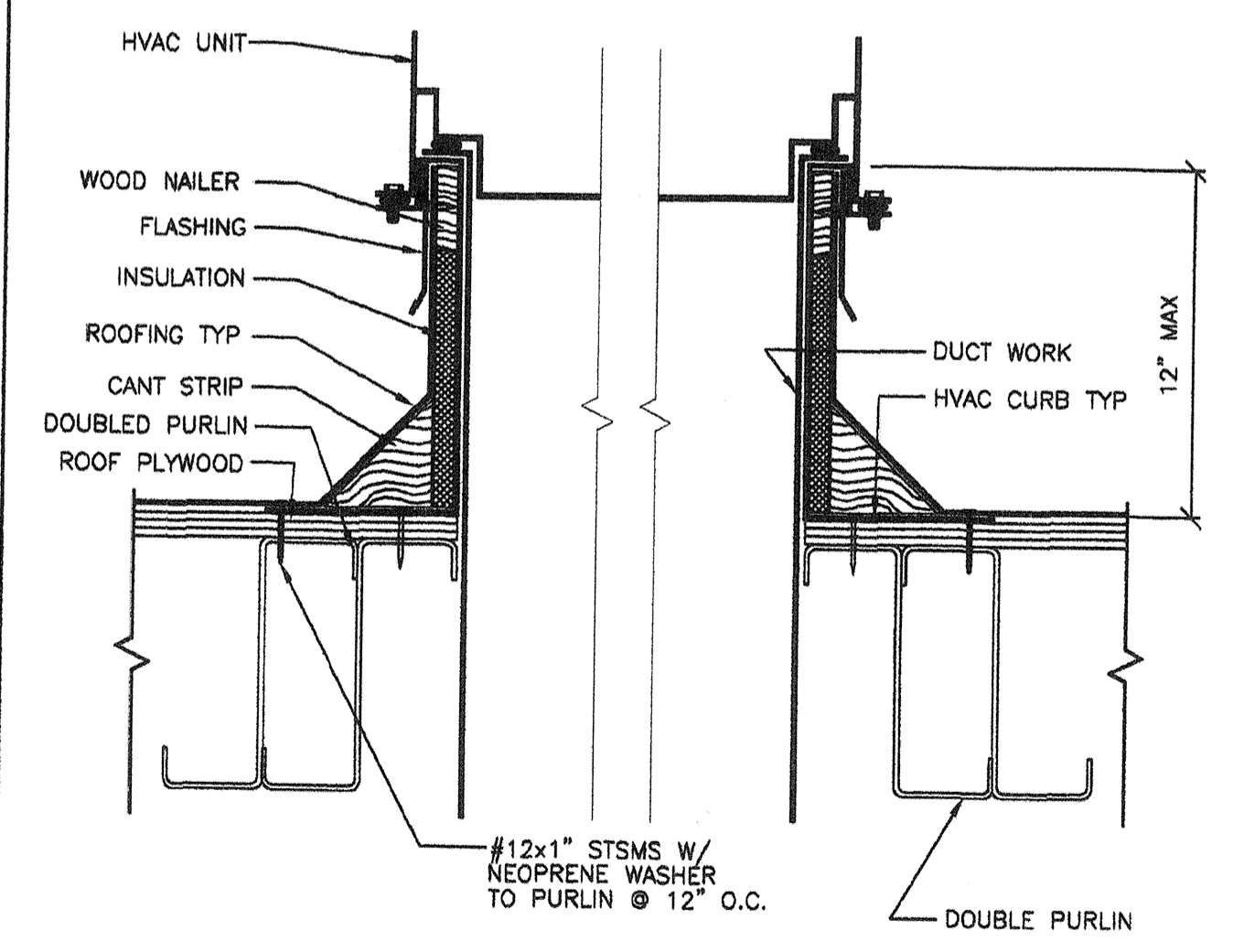
**- GENERAL NOTES -**

1. THE MATERIAL THICKNESS OF STRUCTURAL MEMBER, IN THEIR END-USE, SHALL MEET OR EXCEED THE MINIMUM BASE METAL THICKNESS SPECIFIED IN THE TABLE OR IN THE PLAN. THE MATERIAL GAGE DESIGNATION IN THE PLAN SHALL BE USED AS REFERENCE ONLY.



JOIST FABRICATED FROM ASTM A1011 GRADE 36, HOT ROLLED SHEETS, JOISTS TO BE GIVEN A RUST INHIBITIVE COATING.

**8 Z PURLINS DETAILS AND PROPERTIES**  
S3.1 1 1/2"=1'-0"



**11 HVAC CURB DETAIL ANCHORAGE**  
S3.1 3"=1'-0"

NO	DATE	DESCRIPTION

DATE: 02/26/08

SCALE: NOTED

DRAWN BY: DM

SERIAL NO.:

CUSTOMER:

12' x 40' RELOCATABLE BUILDINGS  
ROOF FRAMING DETAILS



APPROVALS:

REGISTERED PROFESSIONAL ENGINEER

Kenneth A. Lutzke  
No. 4418  
Exp. 3-31-11  
Structural Engineer

DATE: 9-2-2010

REGISTRATION STAMP  
DIV. OF THE STATE ARCHITECT  
OFFICE OF REGULATION SERVICES

18549

AC-FLS-SS

DATE: 9-2-2010

IDENTIFICATION STAMP  
DIV. OF THE STATE ARCHITECT  
OFFICE OF REGULATION SERVICES

PC 02-109808

AC-FLS-SS

DATE: 9/1/09

PROJECT No.

S3.1-R

THESE DRAWINGS AND SPECIFICATIONS ARE THE PROPERTY OF AMERICAN MODULAR SYSTEMS, INC. AND ARE NOT TO BE REPRODUCED, CHANGED OR COPIED IN ANY FORM OR MANNER, NOR ARE THEY TO BE ASSIGNED TO ANY THIRD PARTY WITHOUT THE WRITTEN AUTHORIZATION OF AMERICAN MODULAR SYSTEMS, INC.