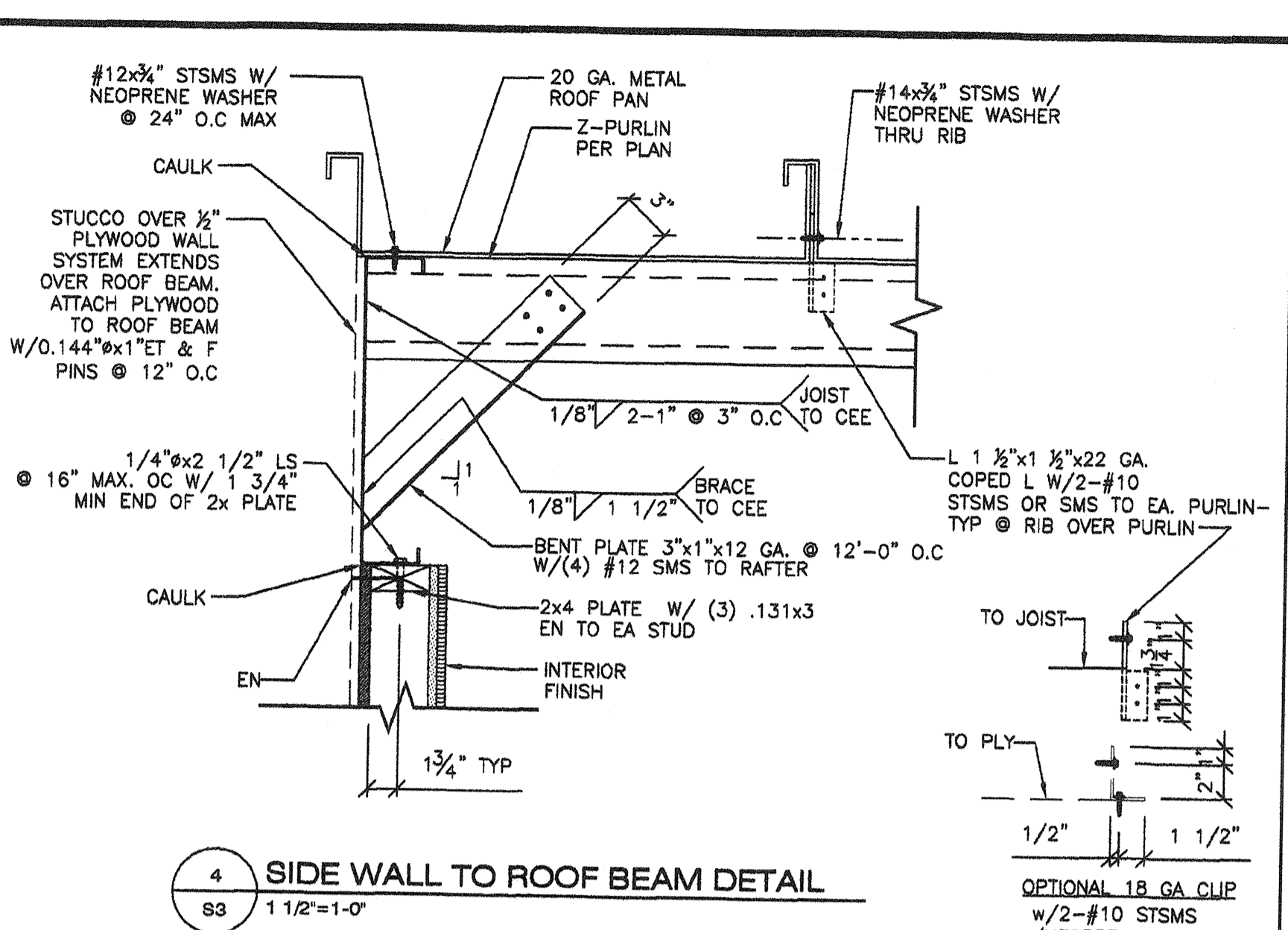
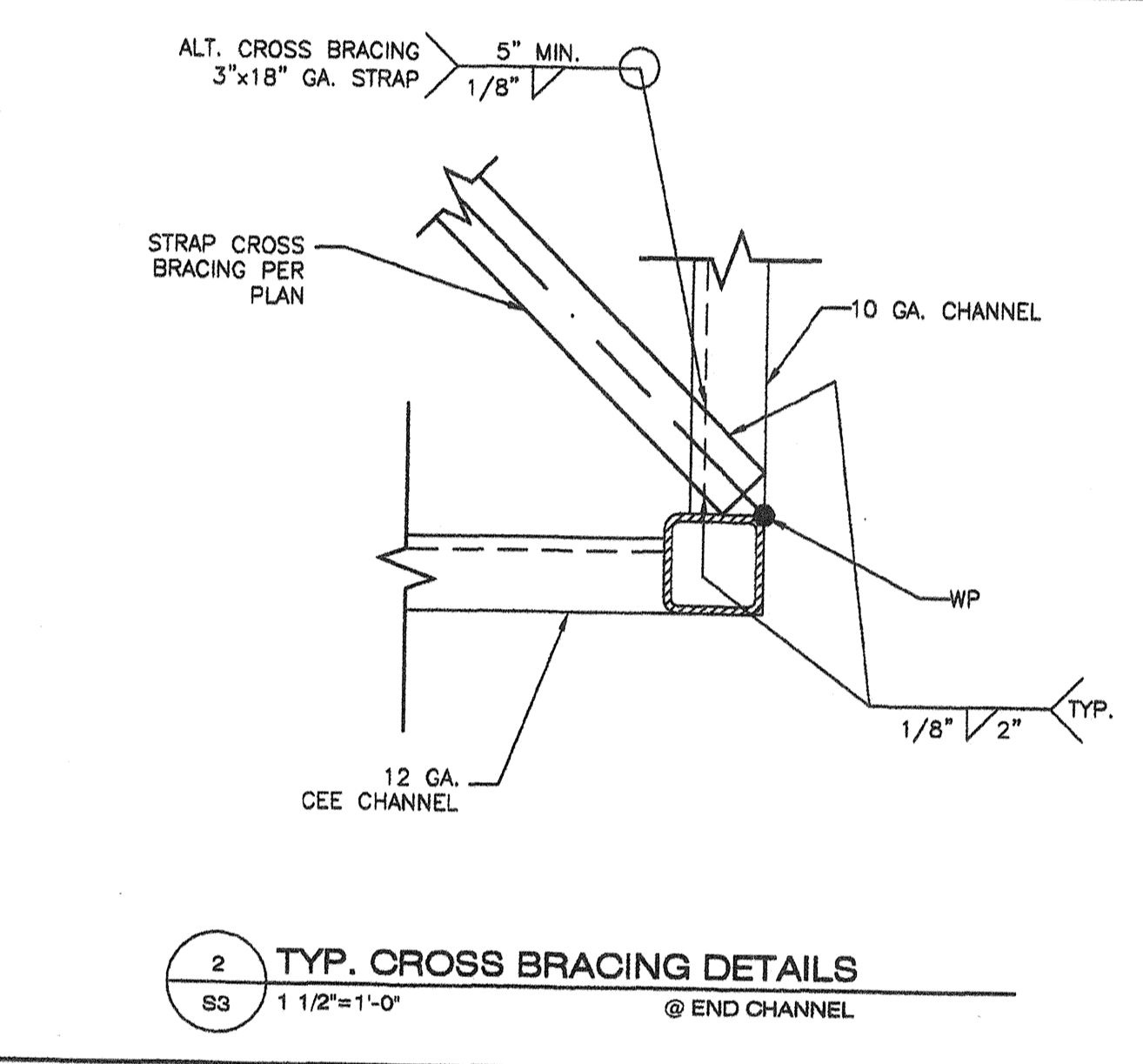


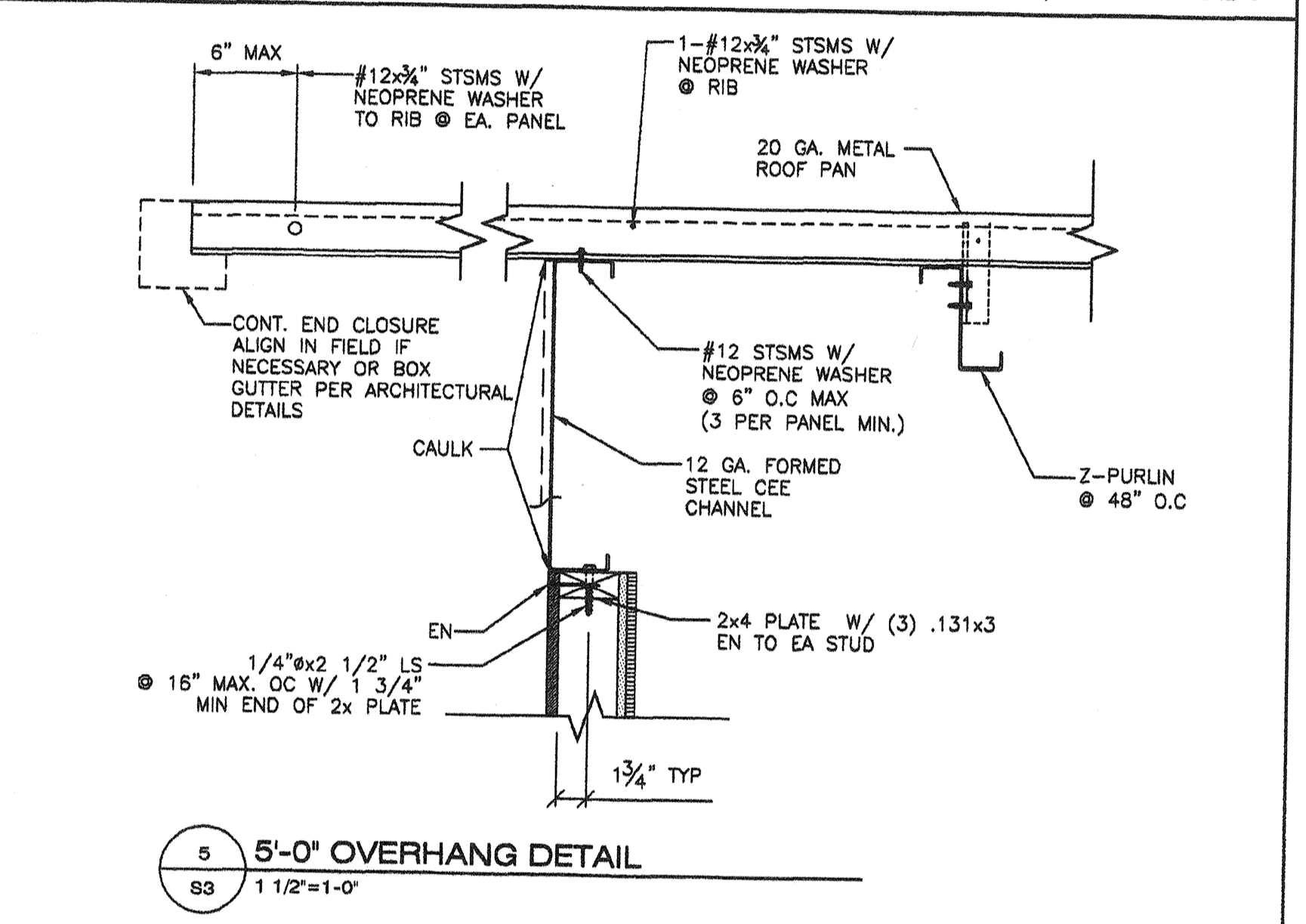
1 TYP. CROSS BRACING DETAILS
S3 1 1/2"=1'-0" @ ROOF CHANNEL



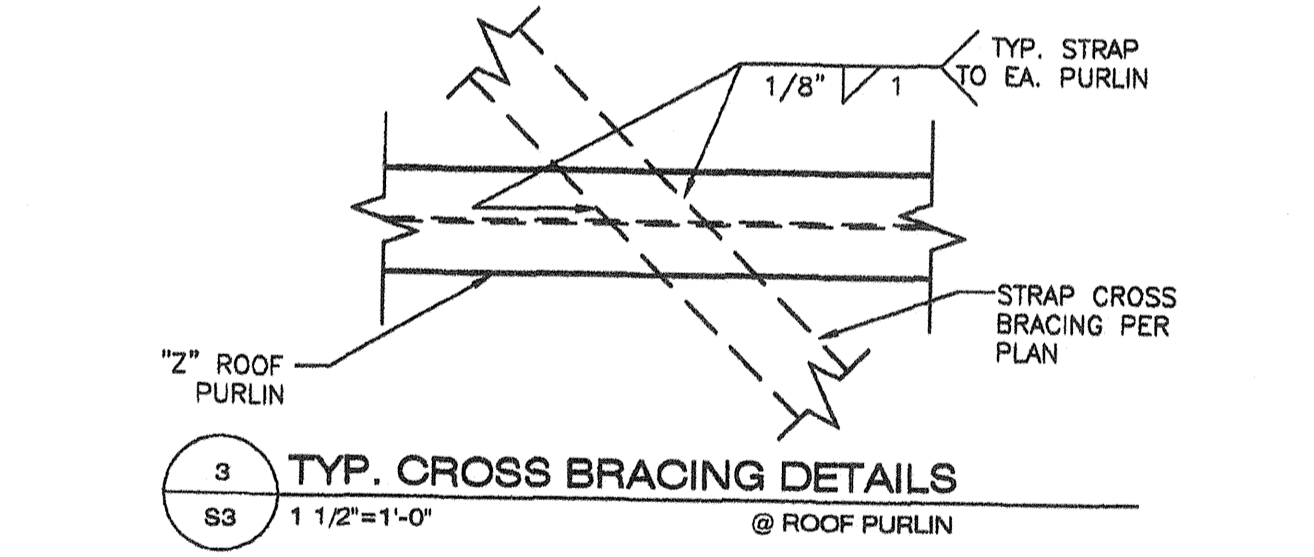
4 SIDE WALL TO ROOF BEAM DETAIL
S3 1 1/2"=1'-0"



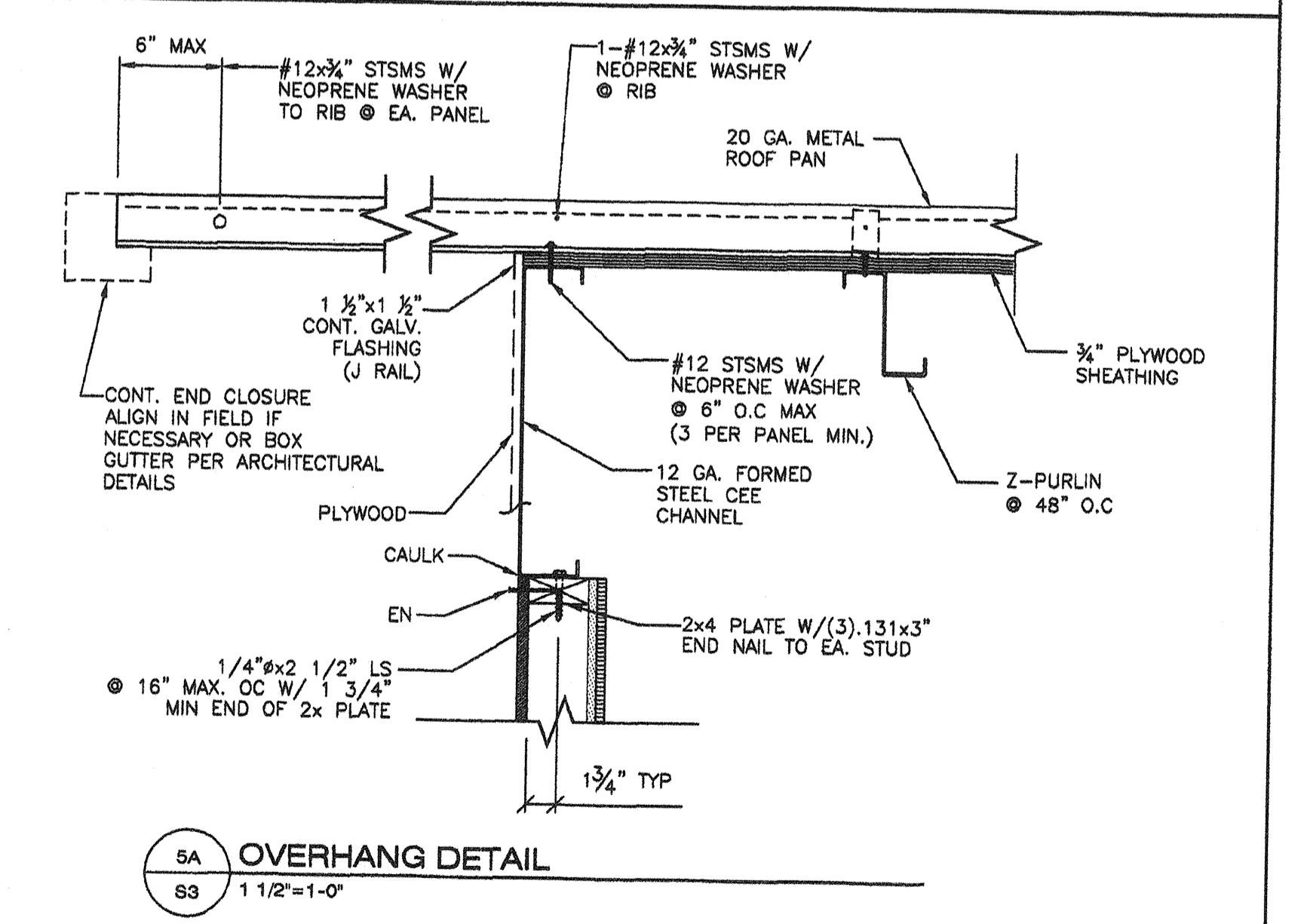
2 TYP. CROSS BRACING DETAILS
S3 1 1/2"=1'-0" @ END CHANNEL



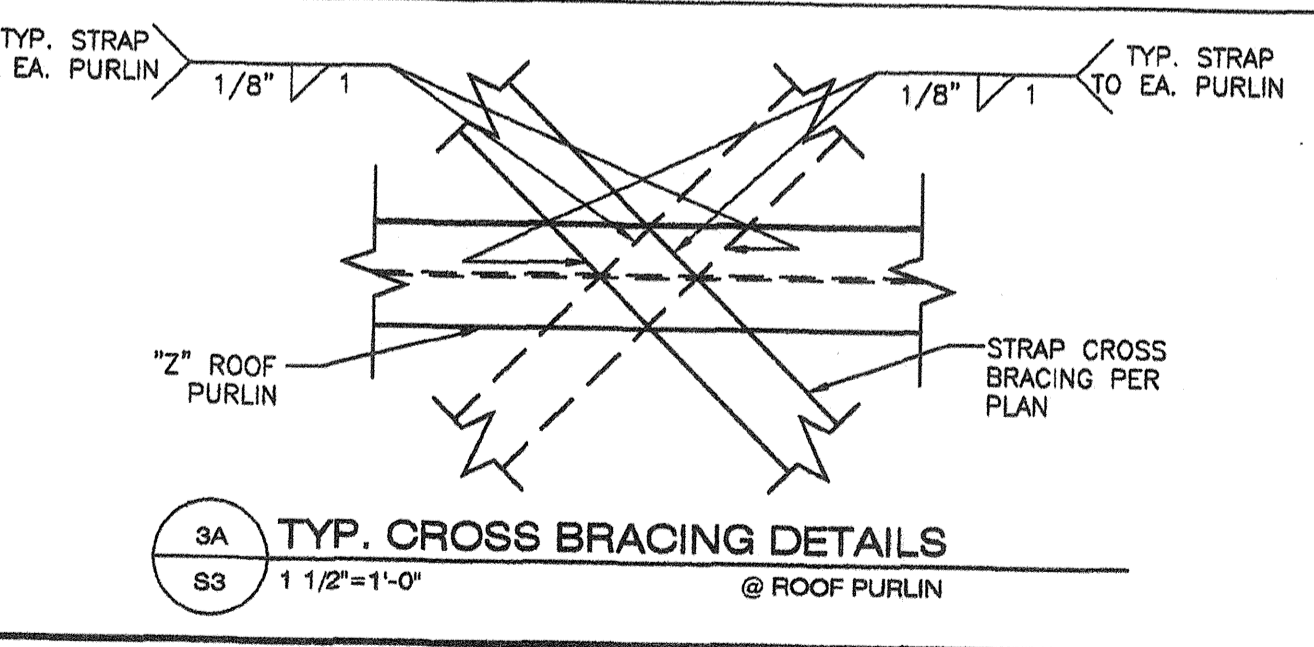
5 5'-0" OVERHANG DETAIL
S3 1 1/2"=1'-0"



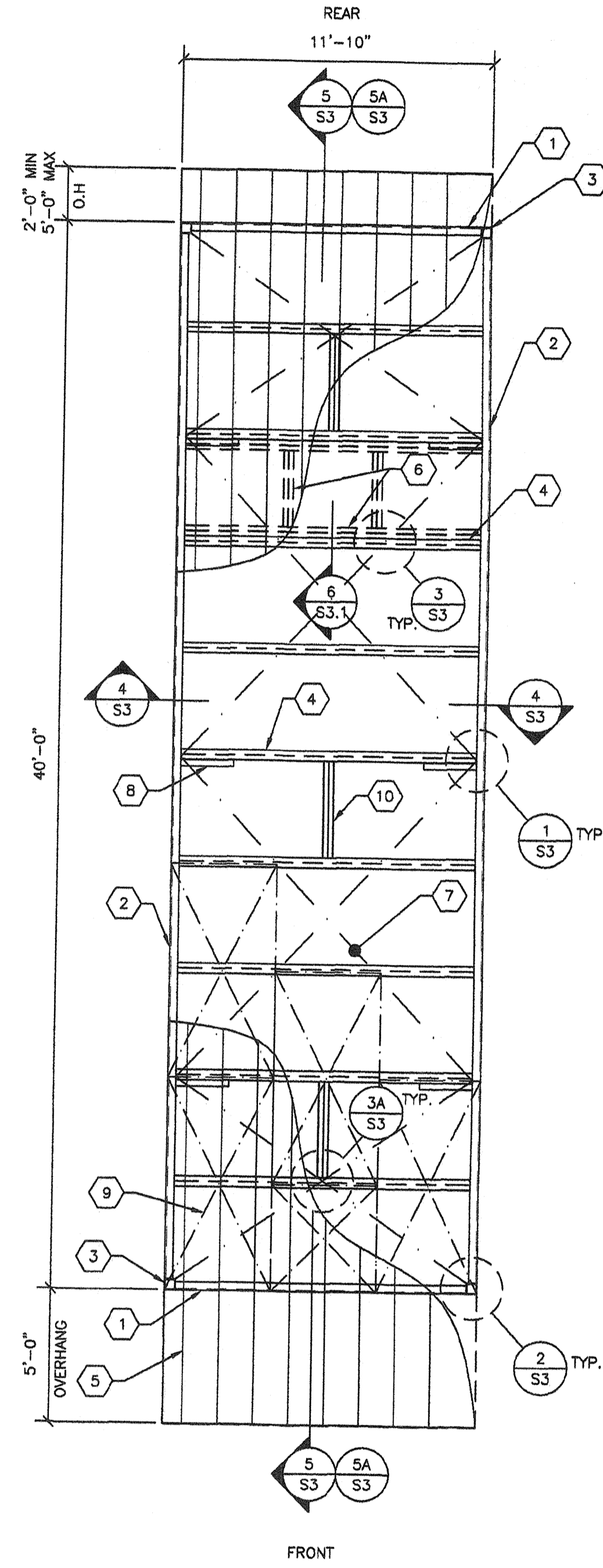
3 TYP. CROSS BRACING DETAILS
S3 1 1/2"=1'-0" @ ROOF PURLIN



5A OVERHANG DETAIL
S3 1 1/2"=1'-0"



3A TYP. CROSS BRACING DETAILS
S3 1 1/2"=1'-0" @ ROOF PURLIN



A TYPICAL ROOF FRAMING LAYOUT
S3 1/4"=1'-0" (MONODUAL PITCH-OPEN SOFFIT)

- KEY NOTES -**
- 12 GA. TRANSVERSE BEAM PER 10/S3.1
 - LONGITUDINAL ROOF CHANNEL TYP. PER 9/S3.1
 - HSS COLUMN PER SHEET S4
 - Z\"/>

FASTENING SCHEDULE

NAILING	0.144 PINS SPACING		# 10 SMS SPACING	
	TYPICAL	WITHIN 3' OF BUILDING CORNERS	TYPICAL	WITHIN 3' OF BUILDING CORNERS
BOUNDARY	6" O.C.	6" O.C.	6" O.C.	6" O.C.
EDGE	6" O.C.	6" O.C.	6" O.C.	6" O.C.
FIELD	12" O.C.	6" O.C.	12" O.C.	12" O.C.

ET & F 0.144 PINS PER ICC ESR #4144

- GENERAL NOTES -**
- THE MATERIAL THICKNESS OF STRUCTURAL MEMBER, IN THEIR END-USE, SHALL MEET OR EXCEED THE MINIMUM BASE METAL THICKNESS SPECIFIED IN THE TABLE OR IN THE PLAN. THE MATERIAL GAGE DESIGNATION IN THE PLAN SHALL BE USED AS REFERENCE ONLY.
 - SEE SHEET S5 FOR TYP. SIDE WALL FRAMING.
 - SEE SHEET S5 FOR TYP. END WALL FRAMING.
 - ALL FASTENERS THRU METAL ROOF PANEL SHALL BE INSTALLED W/NEOPRENE WASHERS.

REVISIONS

NO	DATE	DESCRIPTION

DATE: 02/25/08
SCALE: NOTED
DRAWN BY: DM
SERIAL NO.:

CUSTOMER:
12' x 40' RELOCATABLE BUILDINGS
ROOF FRAMING PLAN & DETAILS (OPEN SOFFIT OPTION)



APPROVALS:
Kerem A. Litalon
No. 1418
Exp. 5-31-11
Structural Engineer
STATE OF CALIFORNIA

IDENTIFICATION STAMP
DIV. OF THE STATE ARCHITECT
OFFICE OF REGULATION SERVICES
PC 02-109808
DATE: 2/25/08

PROJECT No.
S3-R

THESE DRAWINGS AND SPECIFICATIONS ARE THE PROPERTY OF AMERICAN MODULAR SYSTEMS, INC. AND ARE NOT TO BE REPRODUCED, OWNED OR COPIED IN ANY FORM OR MANNER, NOR ARE THEY TO BE ASSIGNED TO ANY THIRD PARTY WITHOUT THE WRITTEN AUTHORIZATION OF AMERICAN MODULAR SYSTEMS, INC.