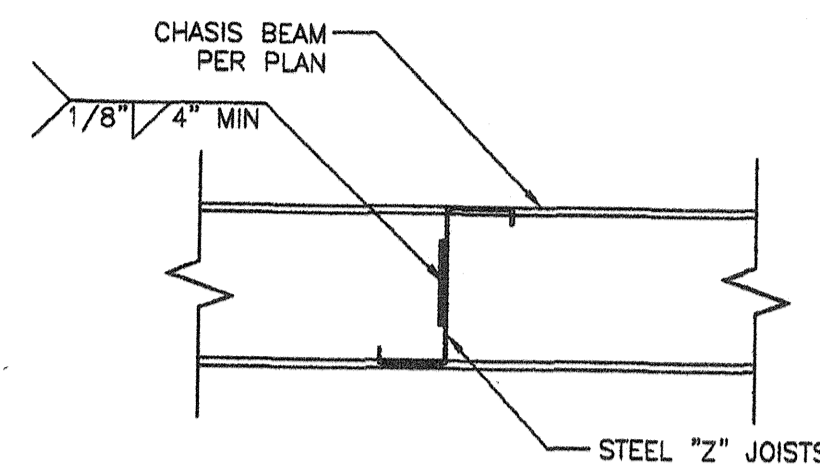
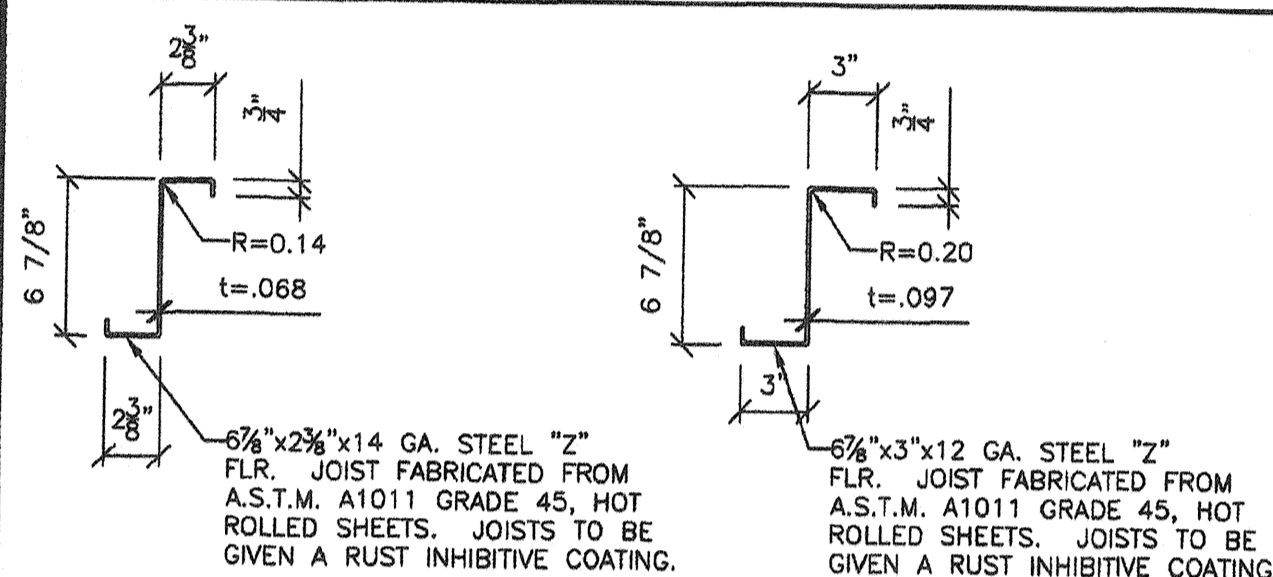


TYP FLOOR JOIST COPING



1 TYP. Z-JOIST ATTACHMENT TO BEAM
S2 1 1/2"=1'-0"



14 GA. JOIST

12 GA. JOIST

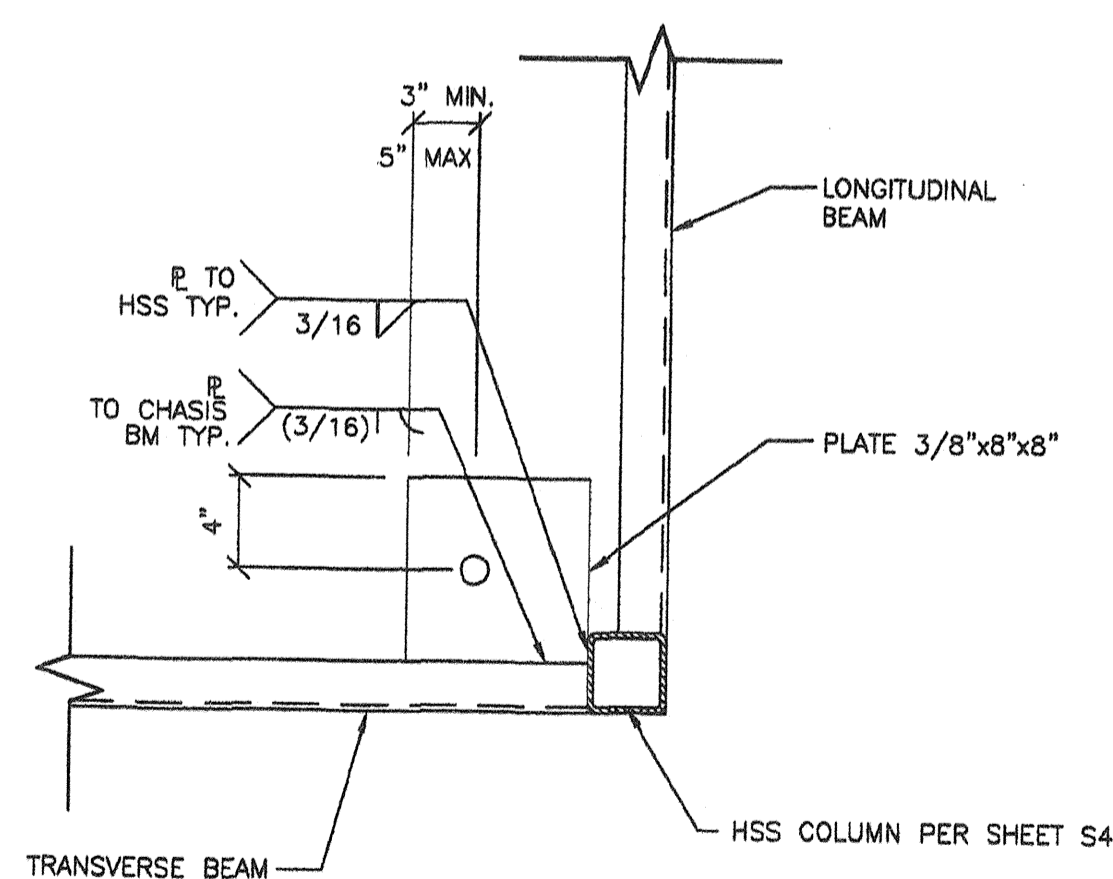
Z SECTION PROPERTIES

A=0.89 IN.²
Sx=1.85 IN.³
Ix=6.37 IN.⁴

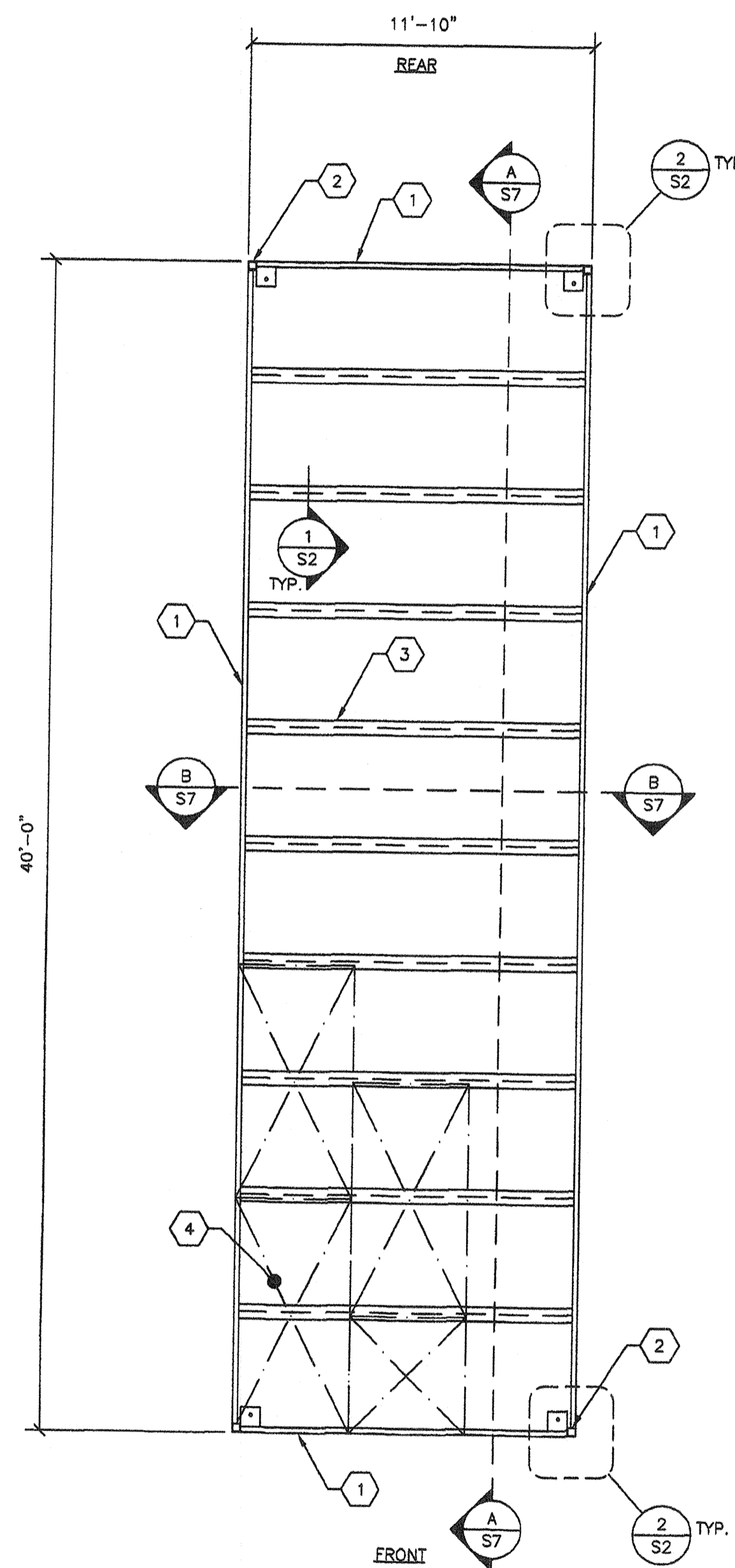
Z SECTION PROPERTIES

A=1.38 IN.²
Sx=2.97 IN.³
Ix=10.20 IN.⁴

1A TYP. Z-JOISTS
S2 1 1/2"=1'-0"



2 TYP. FL. BEAM CONNECTION
S2 1 1/2"=1'-0"



A TYPICAL FLOOR FRAMING PLAN
S2 1/4"=1'-0" PLYWOOD FLOOR

- KEY NOTES -

- 1 C 7x9.8 FLOOR BEAM FOR 50 PSF + 15 PSF ALTERNATE C10x15.3 C9x13.4 FOR 125 PSF
- 2 HSS COLUMN PER SHEET S4
- 3 FLOOR JOIST PER SCHEDULE (SEE 1A/S2)

LIVE LOAD PSF	FLOOR JOIST SCHEDULE	
	14 GA. JOIST	12 GA. JOIST
50 + 15	24" O.C.	48" O.C.
125	24" O.C.	24" O.C.

- 4 1 1/8" T&G PLYWOOD FLOOR SHEETING STURDI-FLOOR 48" O.C. SPAN RATING EXP. 1 CONFORMING TO PS 1-95 OPTION: UNI-FLOOR BY PITTSBURGH TESTING LAB CONFORMING TO PS 1-95. STAGGER SHEETS 48" O.C. AS SHOWN W/ FACE GRAIN NORMAL TO FLOOR JOISTS. FASTENING: BOUNDARY OF EA. MODULE: #12x2 1/4" WOOD TEK CHANNEL @ 6" O.C. PANEL EDGES: ET&F 0.144"x2" MIN. POWER DRIVEN PINS @ 6" O.C. FIELD: ET&F 0.144"x2" MIN. POWER DRIVEN PINS @ 10" O.C.
- NOTE: SEE ICG ER-4144 FOR ET&F BRAND PNEUMATIC PINS.

- GENERAL NOTES -

1. THE MATERIAL THICKNESS OF STRUCTURAL MEMBER, IN THEIR END-USE, SHALL MEET OR EXCEED THE MINIMUM BASE METAL THICKNESS SPECIFIED IN THE TABLE OR IN THE PLAN, THE MATERIAL GAGE DESIGNATION IN THE PLAN SHALL BE USED AS REFERENCE ONLY.

NO.	DATE	DESCRIPTION

DATE: 02/21/08

SCALE: NOTED

DRAWN BY: DM

SERIAL NO.:

CUSTOMER:
12' x 40' RELOCATABLE BUILDINGS
FLOOR FRAMING PLAN & DETAILS (PLYWOOD OPTION)

AMS
American Modular Systems Inc.
787 Spreckels Ave. Manteca, CA 95336
(209)825-1921 Fax (209)825-7018
americanmodular.com

APPROVALS:

REGISTERED PROFESSIONAL ENGINEER
Kenneth A. Lerner
No. 4418
Exp. 9-31-11
Structural Engineer
DATE OF CALIFORNIA

IDENTIFICATION STAMP
DIV. OF THE STATE ARCHITECT
OFFICE OF REGULATION SERVICES
03 118549
AC FL S3
DATE 9-2-2010

IDENTIFICATION STAMP
DIV. OF THE STATE ARCHITECT
OFFICE OF REGULATION SERVICES
PC 02-109808
AC FL S3
DATE 9/1/09

PROJECT No.

S2-R