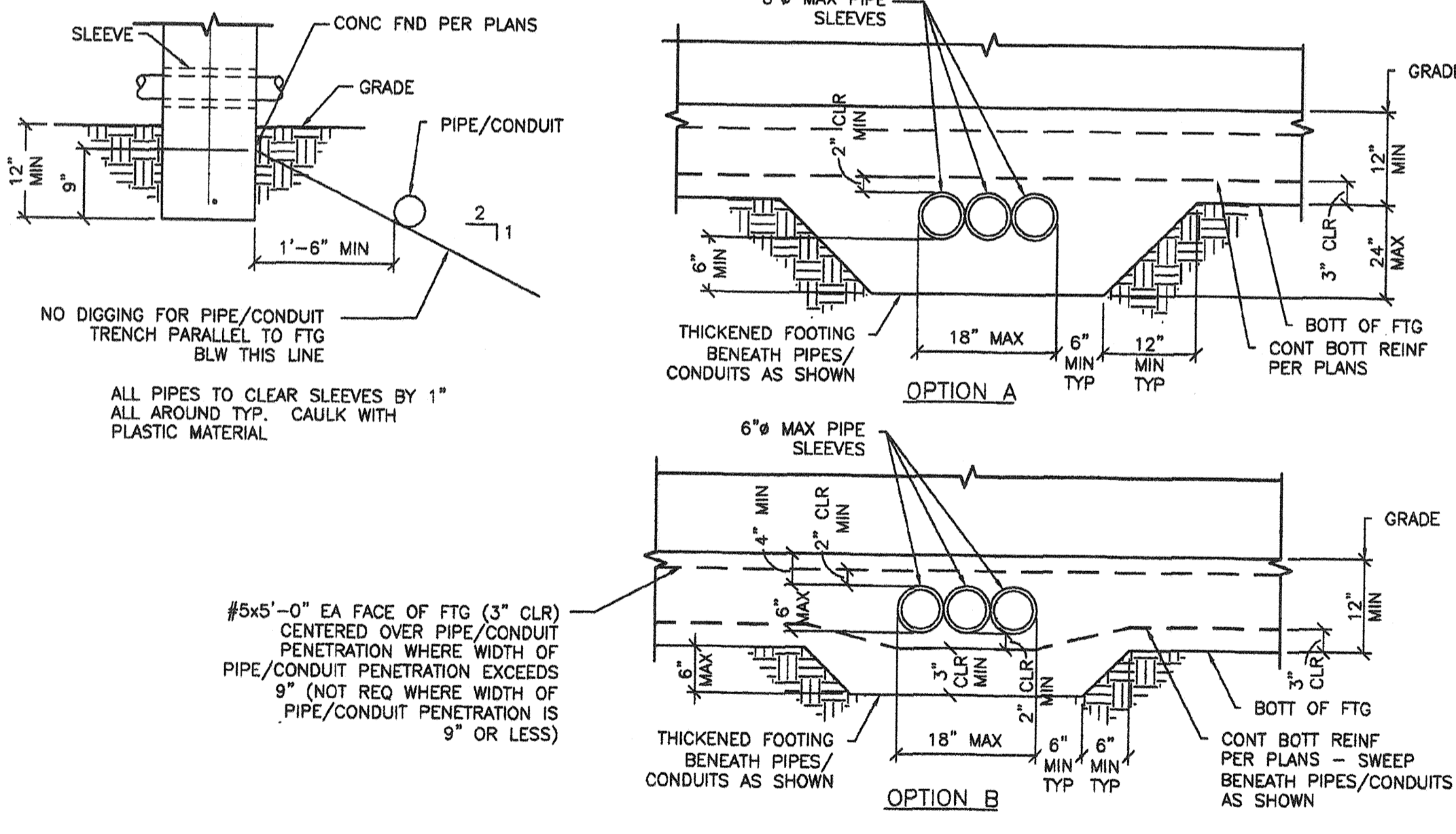
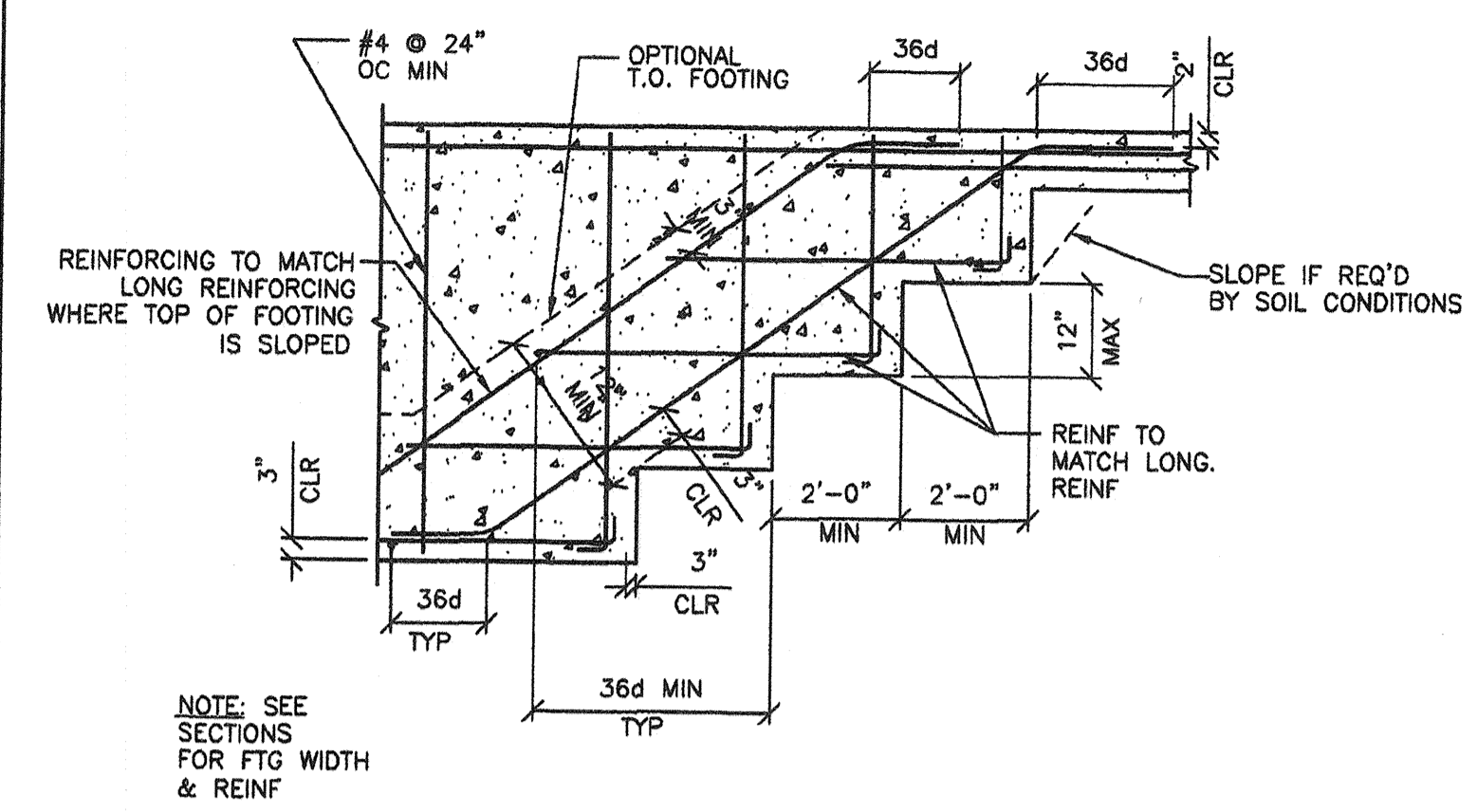


1 OPTIONAL FOUNDATION ACCESS/VENT WELL
S1C 1 1/2"=1'-0"

- NOTES:
- AS AN OPTION TO INDIVIDUAL PIPE SLEEVES THE FOOTING MAY BE BLOCKED OUT FOR MULTIPLE PIPES (8" HIGH x 18" WIDE MAX @ OPTION "A", 6" HIGH x 18" WIDE MAX @ OPTION "B") PROVIDE 1" MIN CLEARANCE ALL AROUND BTWN PIPES/CONDUITS & BLOCKOUT/SLEEVES & FILL W/ CAULK.
 - CONCRETE SHALL BE WELL CONSOLIDATED AROUND & UNDER PIPES, CONDUITS, SLEEVES, BLOCKOUTS TO PREVENT CONCRETE VOIDS.
 - PROVIDE 2" CLEAR MIN BETWEEN BLOCKOUT/SLEEVES AND REINFORCEMENT.
 - WHERE TOP OF PIPES/CONDUITS ARE 12" OR MORE BELOW THE BOTTOM OF THE FOOTING, THICKENED FOOTING AROUND PIPES/CONDUITS IS NOT REQUIRED. BACKFILL & COMPACT TO 95% OVER PIPES/CONDUITS PRIOR TO PLACING FOOTING.



2 PIPE SLEEVE DETAIL
S1C 1 1/2"=1'-0"

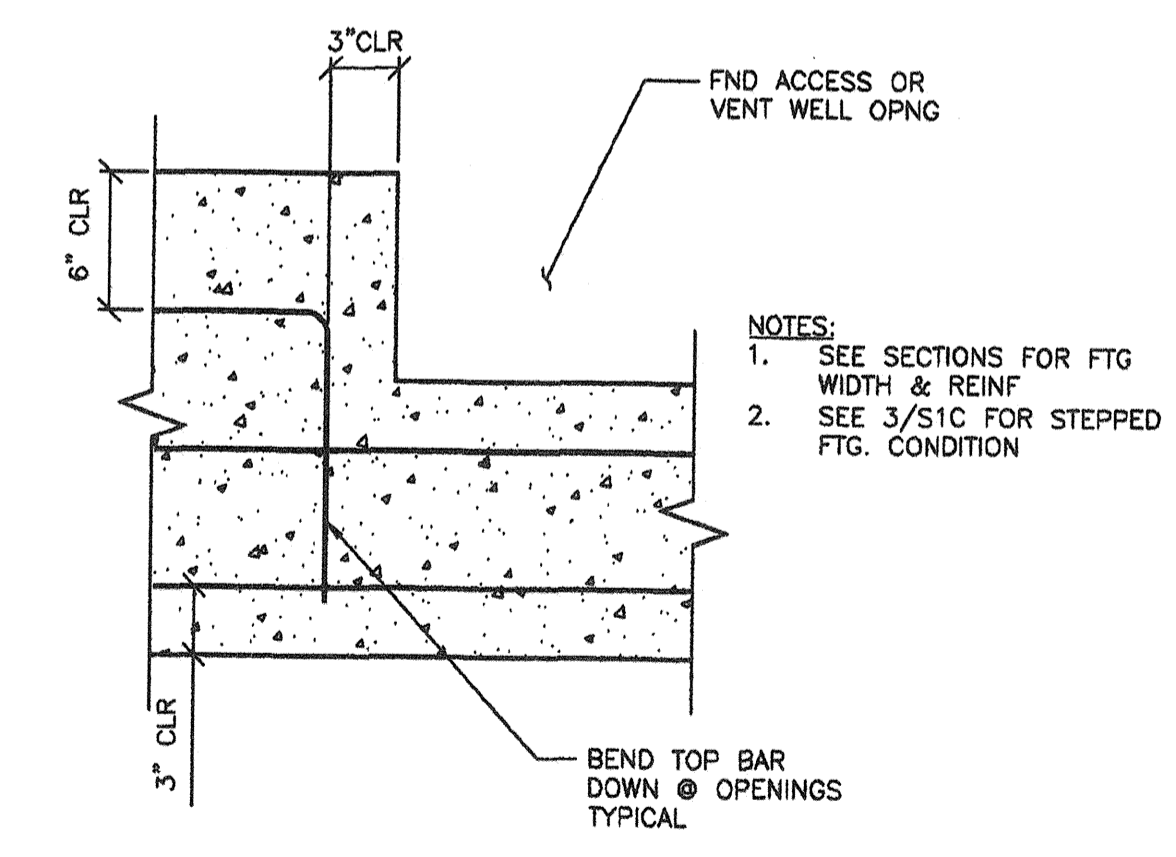


3 TYPICAL STEPPED FOOTING
S1C N.T.S.

ANCHOR TYPE	HILTI KWIK KB-TZ ICC ESR-1917			SIMPSON STRONG-BOLT ICC ESR-1771		
	1/2"Ø	5/8"Ø	3/4"Ø	1/2"Ø	5/8"Ø	3/4"Ø
ANCHOR SIZE (IN)	1/2"	5/8"	3/4"	1/2"	5/8"	3/4"
MIN EMBED (IN)	4"	4 3/4"	5 3/4"	3 7/8"	5 1/8"	5 3/4"
TENSION TEST LBS (SINGLE BOLT)	5121#	8040#	7917#	3826#	6732#	5454#
TENSION TEST LBS (DOUBLE BOLT)	5121#	6174#	5889#	3826#	5102#	4122#
INSTALLATION TORQUE (FT-LB)	40	60	110	50	85	180

- TENSION TEST - 2 x ALLOWABLE TENSION LOAD PER DSA IR 19-1.
- NORMAL WEIGHT CONCRETE WITH $f'_c = 2500$ PSI TO COMPLY WITH 1916A.4 FOR MATERIAL TEST WAIVER.
- MINIMUM EDGE DISTANCE REQUIRED 6"

4 ANCHOR BOLT SCHEDULE
S1C N.T.S.



5 VENT/ACCESS VENT OPENING DETAIL
S1C 1 1/2"=1'-0"

REVISIONS		
NO	DATE	DESCRIPTION

DATE: 02/21/08
SCALE: NOTED
DRAWN BY: DM
SERIAL NO.:

CUSTOMER:
**12' x 40' RELOCATABLE BUILDINGS
CONCRETE FOUNDATION DETAILS**



APPROVALS:
Kenneth A. Luttrell
No. 1418
EXP. 3-31-11
Structural Engineer
State of California

IDENTIFICATION STAMP
DIV. OF THE STATE ARCHITECT
OFFICE OF REGULATION SERVICES
CS 113549
AC FLS SS
DATE 9-2-2010

IDENTIFICATION STAMP
DIV. OF THE STATE ARCHITECT
OFFICE OF REGULATION SERVICES
PC 02-109808
AC FLS SS
DATE 4/1/09

PROJECT NO.
S1C

THESE DRAWINGS AND SPECIFICATIONS ARE THE PROPERTY OF AMERICAN MODULAR SYSTEMS, INC. AND ARE NOT TO BE REPRODUCED, CHANGED OR COPIED IN ANY FORM OR MANNER, NOR ARE THEY TO BE ASSIGNED TO ANY THIRD PARTY WITHOUT THE WRITTEN APPROVAL OF AMERICAN MODULAR SYSTEMS, INC.