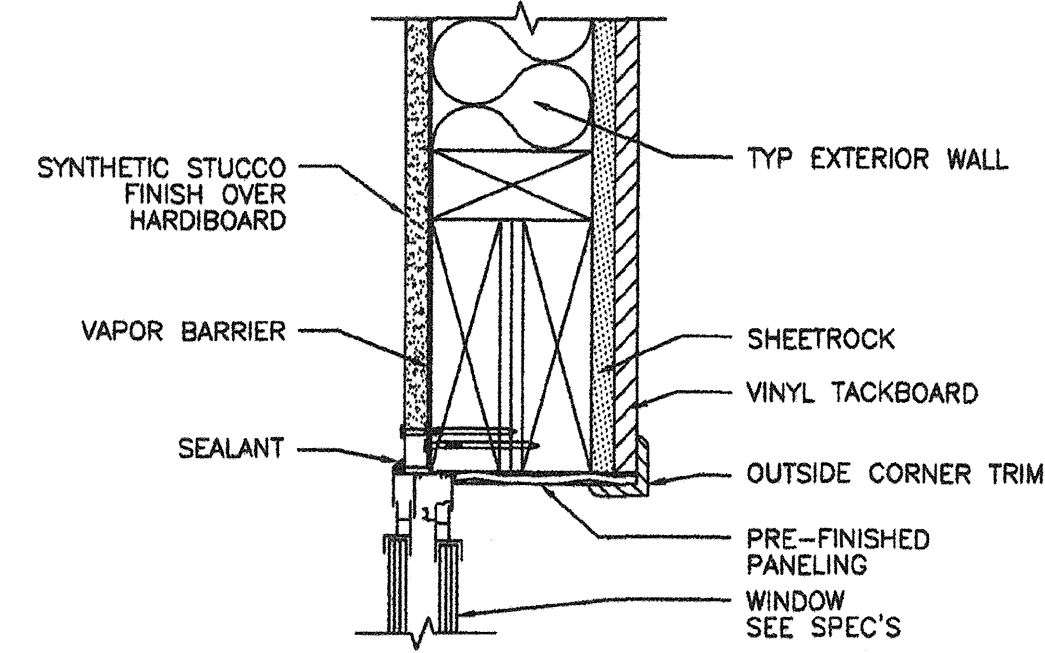
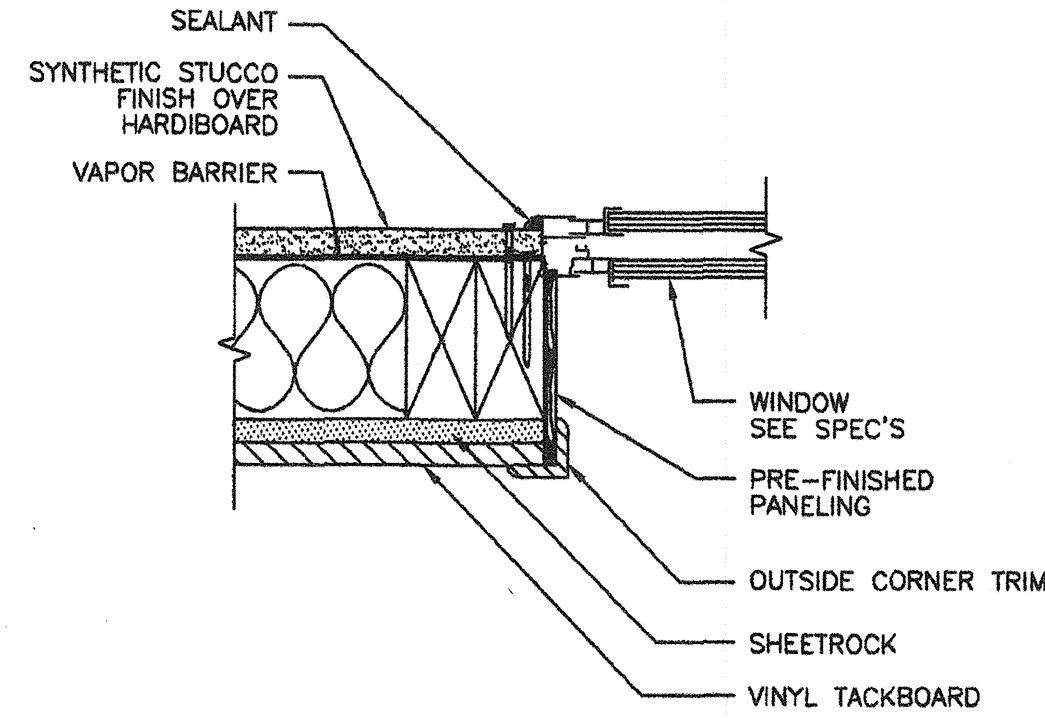


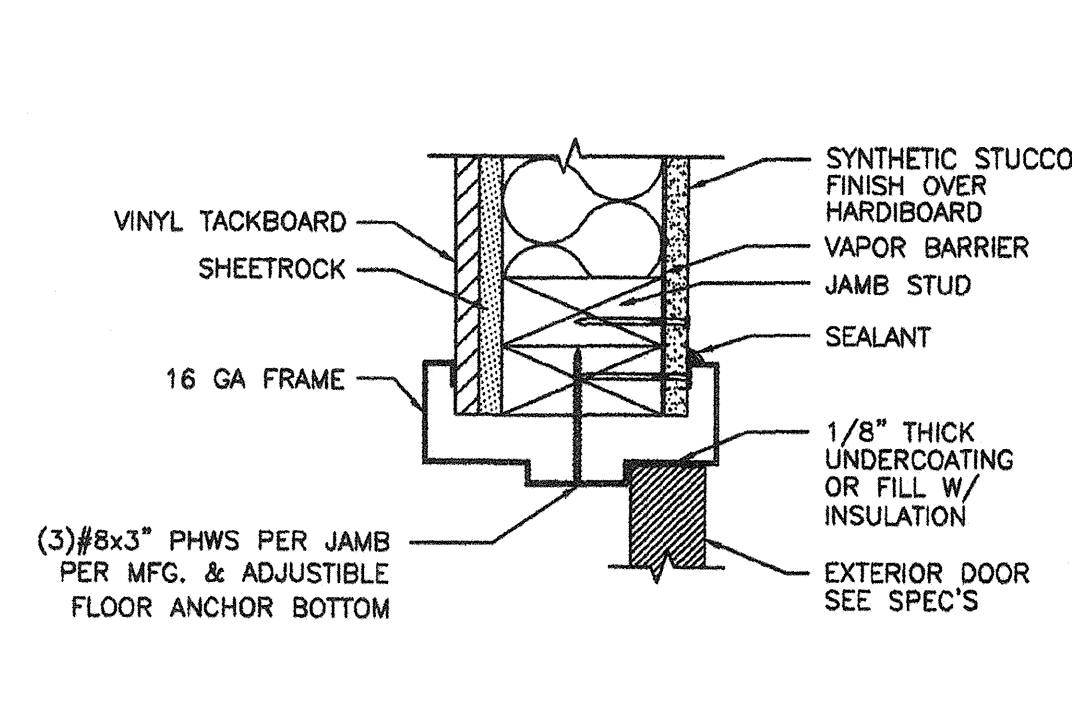
1 TYP WINDOW SILL DETAIL
ASA 3'-1'-0"



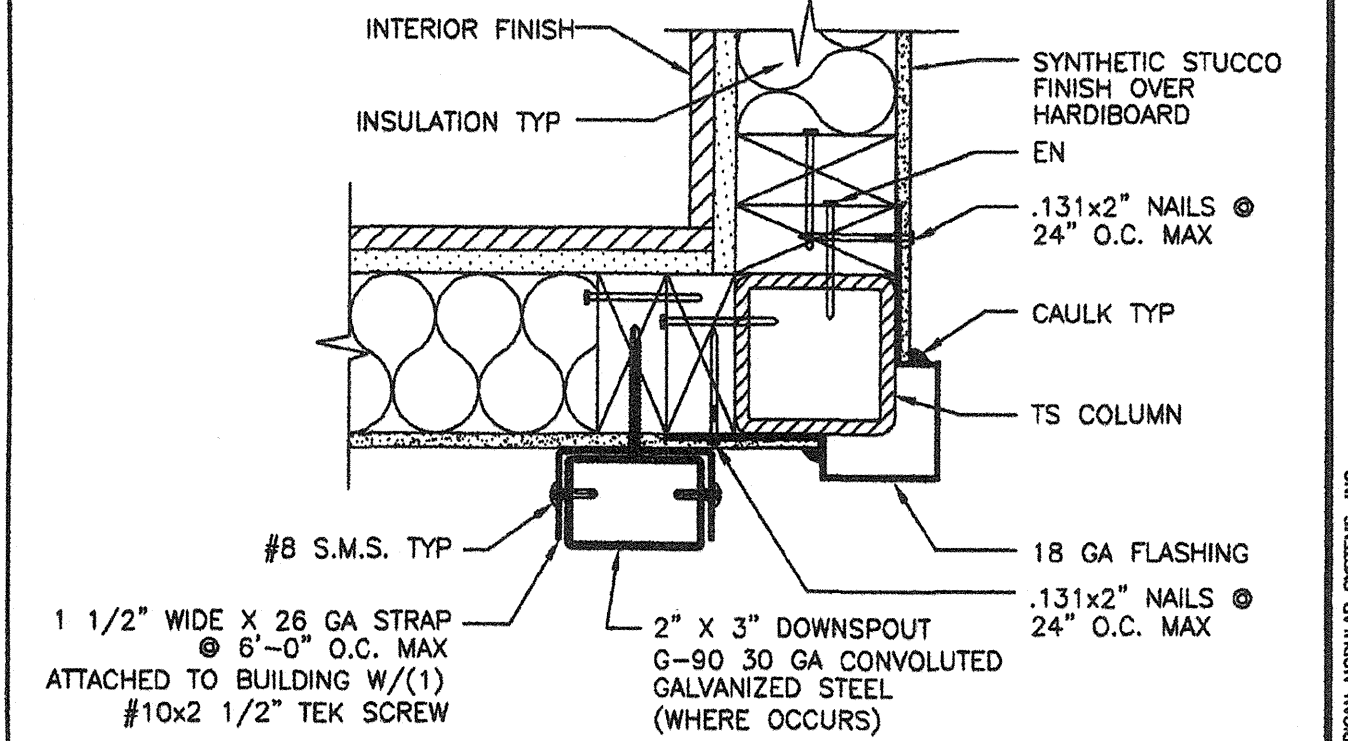
2 TYP WINDOW HEADER DETAIL
ASA 3'-1'-0"



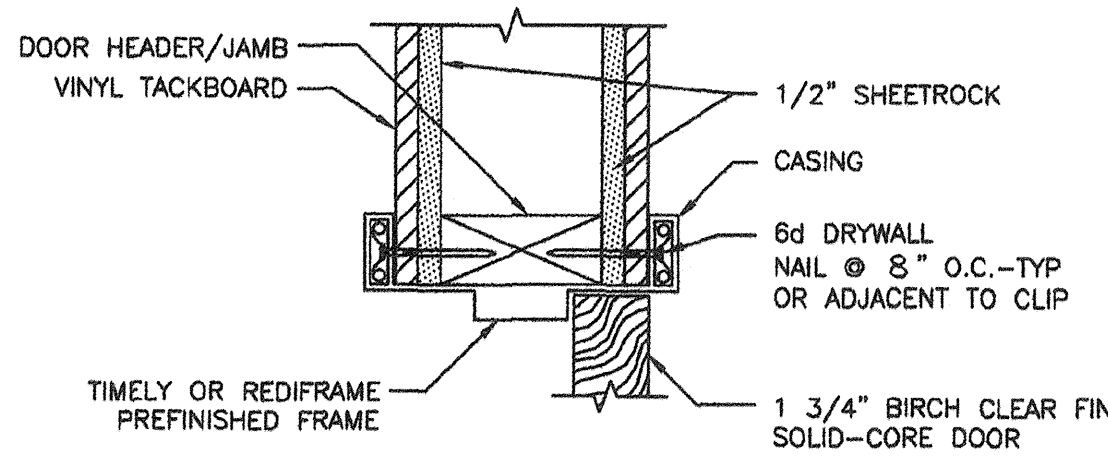
3 TYP WINDOW JAMB DETAIL
ASA 3'-1'-0"



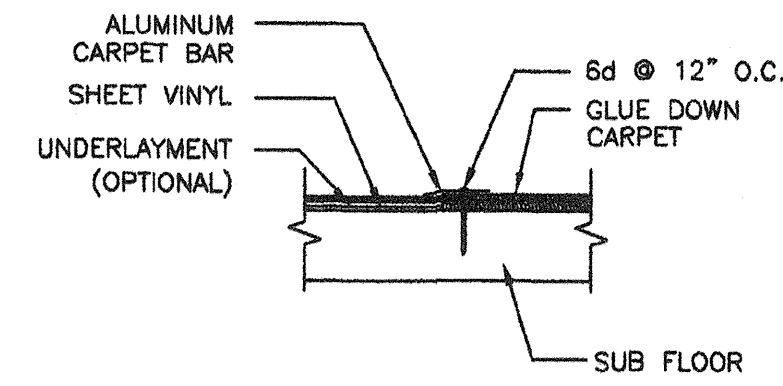
4 TYP DOOR JAMB DETAIL
ASA 3'-1'-0"



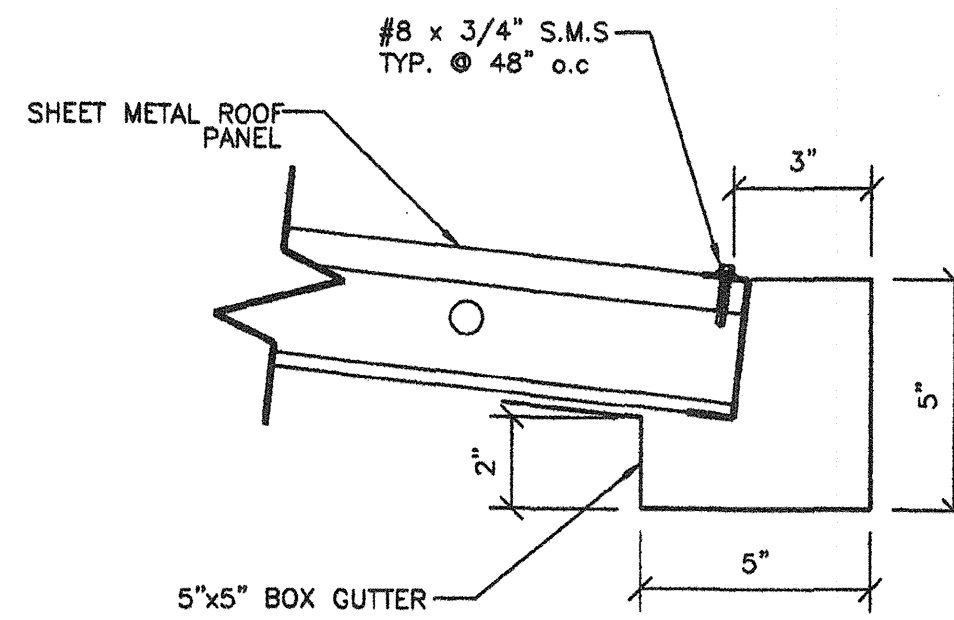
5 DOWNSPOUT ATTACHMENT DETAIL
ASA 3'-1'-0"



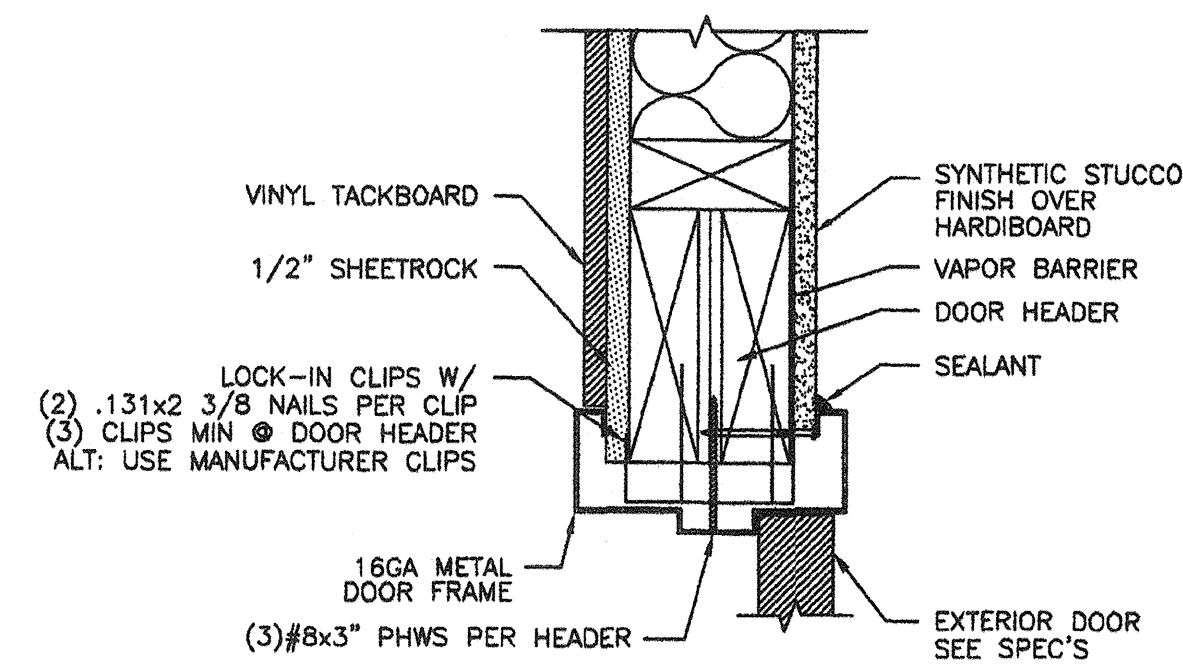
6 TYP INTERIOR DOOR HEADER DETAIL
ASA 3'-1'-0"



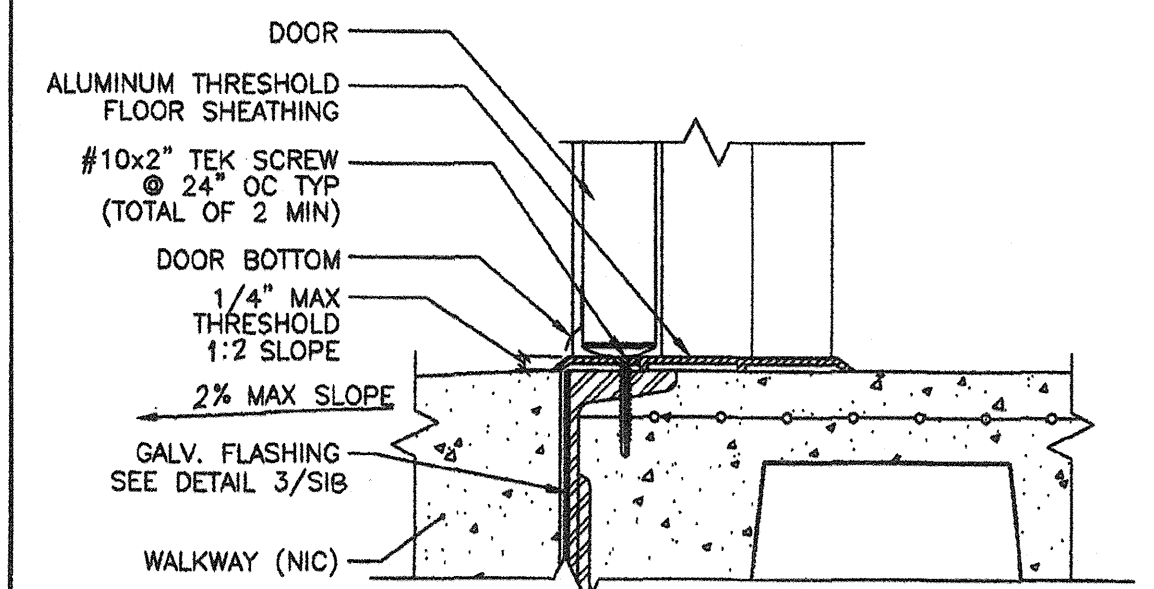
7 FLOORING DETAIL
ASA 3'-1'-0"



8 TYP GUTTER ATTACHMENT DETAIL
ASA 3'-1'-0"



9 TYP DOOR HEADER DETAIL
ASA 3'-1'-0"



10 THRESHOLD DETAIL
ASA 1 1/2'-1'-0"

REVISIONS		
NO	DATE	DESCRIPTION

DATE: 2/24/09
SCALE: NOTED
DRAWN BY: DM
SERIAL NO.:

CUSTOMER:
12'X40' RELOCATABLE BUILDING
ARCHITECTURAL DETAILS (SYNT. STUCCO OPTION)



APPROVALS:

Professional seals and stamps for the State Architect, including identification numbers and dates.

PROJECT No.
A5A-R

THESE DRAWINGS AND SPECIFICATIONS ARE THE PROPERTY OF AMERICAN MODULAR SYSTEMS, INC. AND ARE NOT TO BE REPRODUCED, COPIED, OR USED IN ANY FORM OR MANNER, NOR ARE THEY TO BE ASSIGNED TO ANY THIRD PARTY WITHOUT THE WRITTEN AUTHORIZATION OF AMERICAN MODULAR SYSTEMS, INC.