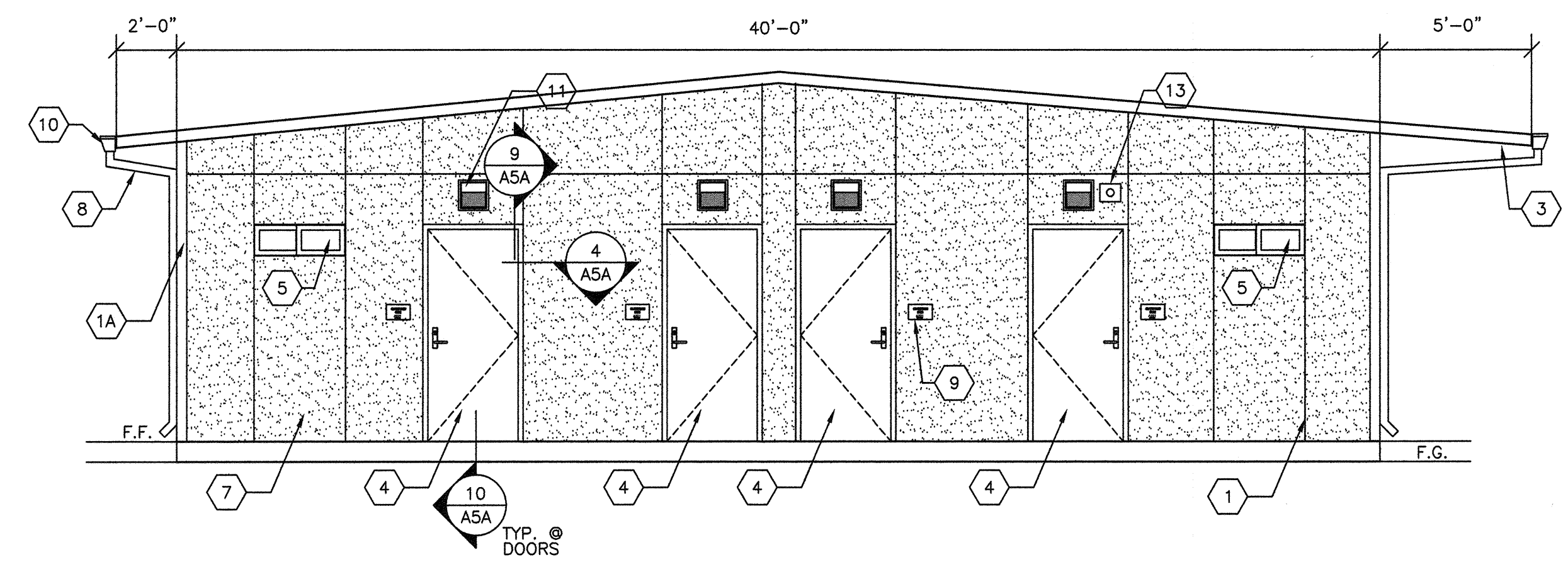
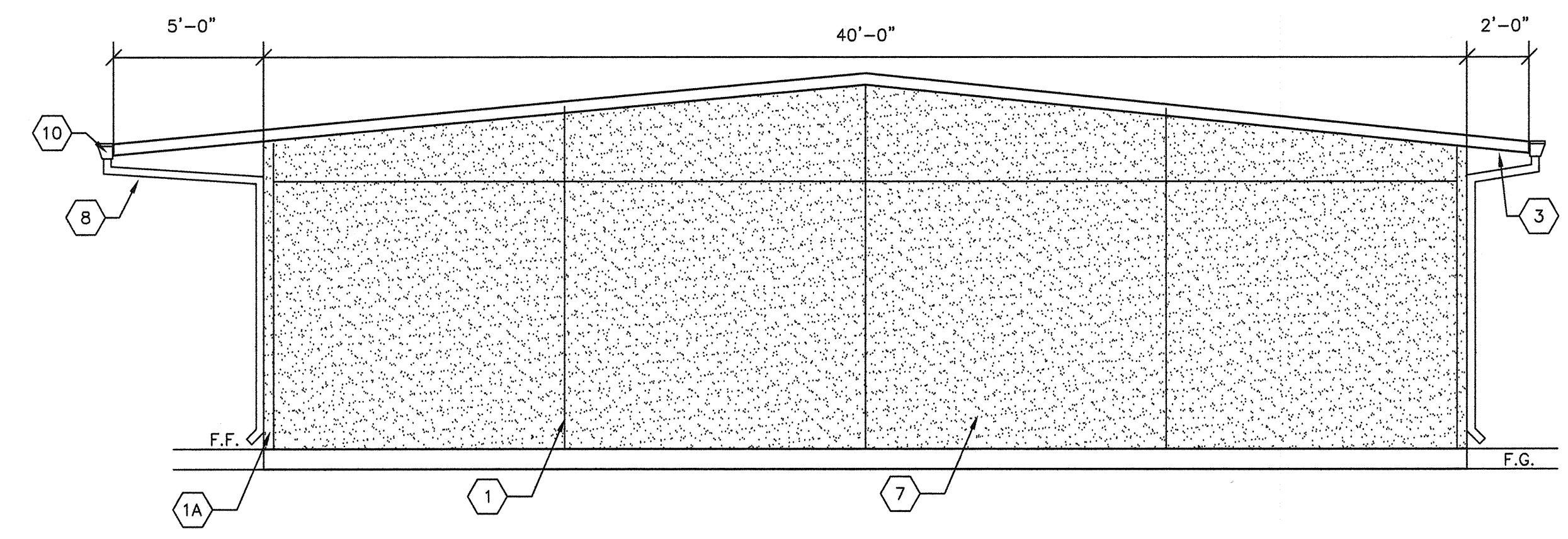


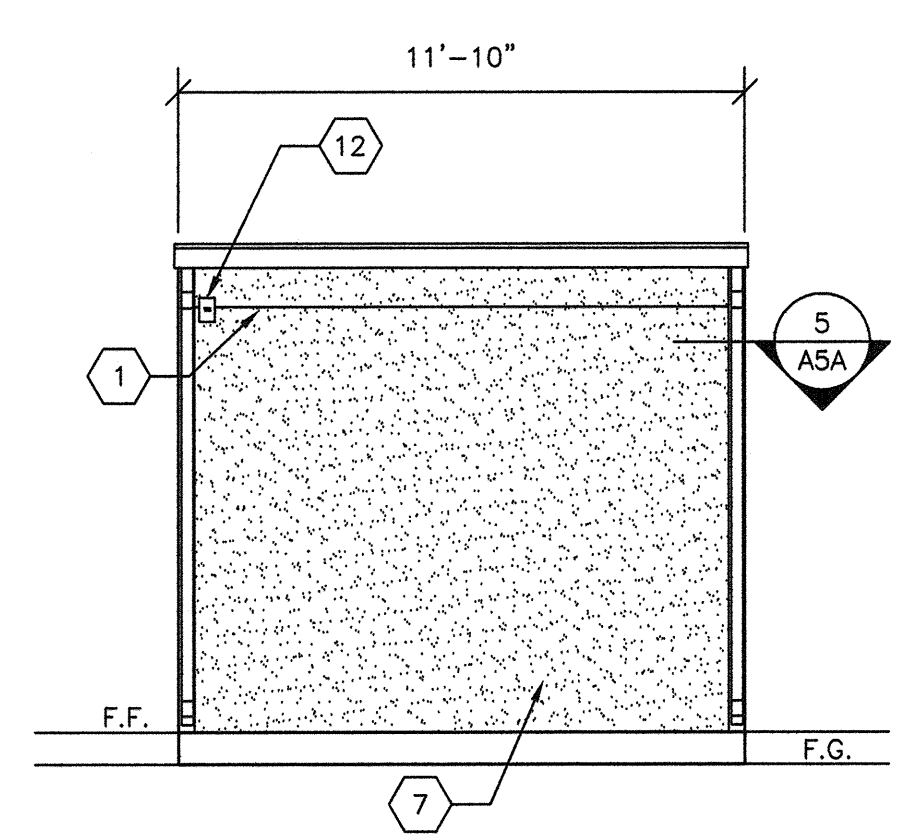
- SHEET NOTES -**
- 1 CONTROL JOINT (LOCATIONS MAY VARY)
 - 1A 16 GA. FLASHING TRIM @ MODLINES TYP.
 - 2 STANDING SEAM METAL ROOFING
 - 3 OVERHANG
 - 4 TYPICAL EXTERIOR DOOR
 - 5 WINDOW SEE SPEC'S
 - 6 HVAC UNIT TYP.
 - 7 ACRYLIC TEXTURED FINISH OVER HARDI-BOARD
 - 8 DOWNSPOUT (QUANTITY & LOCATION MAY VARY)
 - 9 ROOM ID SIGNAGE (NIC) TYP REFER TO DETAIL S/AD
 - 10 GUTTER
 - 11 EXTERIOR LIGHT FIXTURE TYP
 - 12 MODULAR IDENTIFICATION TAG, +90" ABOVE F.F.
 - 13 FIRE ALARM HORN (REFER TO E1)
 - 14 WP/G.F.C.I TYP. @ HVAC UNITS SEE ELECTRICAL SHEETS.
- R RAMP NOT SHOWN FOR RAMP DETAILS REFER TO SHEET S6R



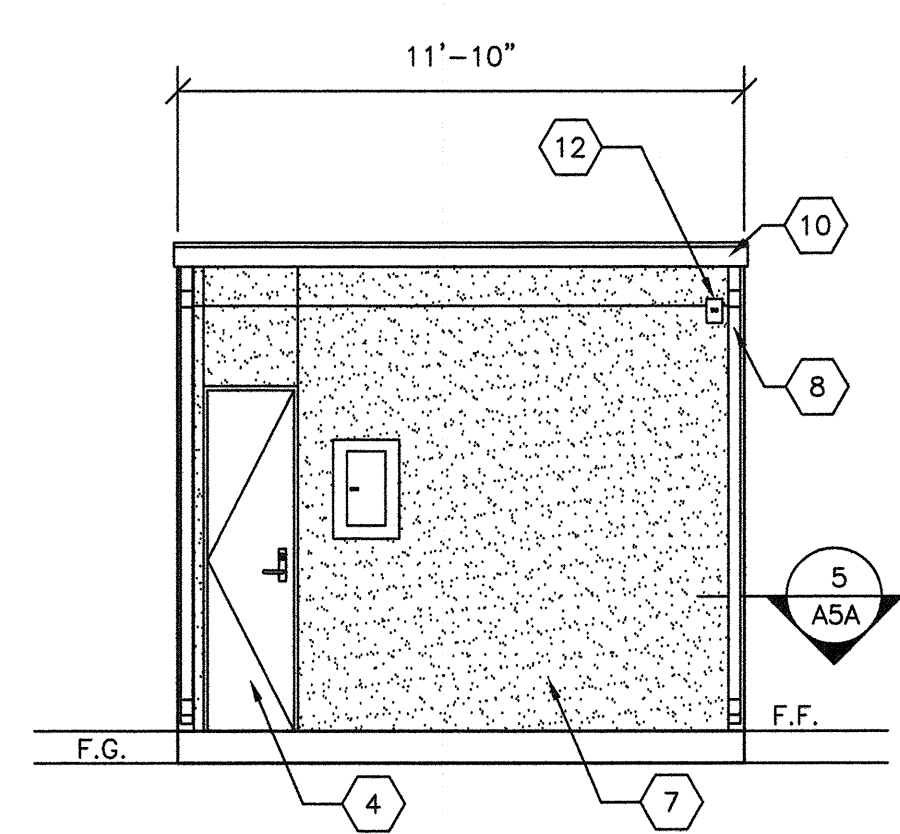
A FRONT EXTERIOR ELEVATION
A5 1/4"=1'-0"



D REAR EXTERIOR ELEVATION
A5 1/4"=1'-0"



G SIDE EXTERIOR ELEVATION
A5 1/4"=1'-0"



H SIDE EXTERIOR ELEVATION
A5 1/4"=1'-0"

REVISIONS		
NO	DATE	DESCRIPTION
1		
2		
3		

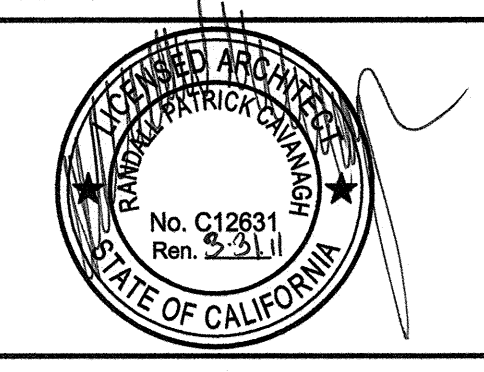
DATE: 08/12/10
SCALE: NOTED
DRAWN BY: RS
SERIAL NO.:

CUSTOMER:
BAKERSFIELD SCHOOL DISTRICT
PIONEER ELEMENTARY SCHOOL

**12'X40' RELOCATABLE BUILDING
TYPICAL EXTERIOR ELEVATIONS (SYNT. STUCCO OPTION)**

AMS
American Modular Systems Inc.
787 Spreckels Ave. Manteca, CA 95336
(209)825-1921 Fax (209)825-7018
americanmodular.com

APPROVALS:



IDENTIFICATION STAMP
DIV. OF THE STATE ARCHITECT
OFFICE OF REGULATION SERVICES
C3 118549
AC: [Signature]
DATE: 9-2-2010

IDENTIFICATION STAMP
DIV. OF THE STATE ARCHITECT
OFFICE OF REGULATION SERVICES
AC: _____ FLS. _____ SS _____
DATE _____

PROJECT No.
A5-R

BASED ON PC# 02-109808

THESE DRAWINGS AND SPECIFICATIONS ARE THE PROPERTY OF AMERICAN MODULAR SYSTEMS, INC. AND ARE NOT TO BE REPRODUCED, CHANGED OR COPIED IN ANY FORM OR MANNER, NOR ARE THEY TO BE ASSIGNED TO ANY THIRD PARTY WITHOUT THE WRITTEN AUTHORIZATION OF AMERICAN MODULAR SYSTEMS, INC.