

ROOM FINISHES SCHEDULE										DOOR SCHEDULE										
ROOM NUMBER	ROOM NAME	FINISHES						REMARKS	DOOR NO.	FRAME OPENING SIZE	DOORS					FRAMES				
		FLOOR	BASE	FRONT	REAR	RIGHT	LEFT				MATERIAL	FINISH	GLASS TYPE	U-FACTOR	SHGC	MATERIAL	FINISH	GLASS TYPE	U-FACTOR	SHGC
1	GIRLS RESTROOM	B	E	I	I	I	G	8'-6"	1	3'-0" x 7'-0"	HM	A	1	STL	5/AS	4/AS				
2	STAFF RESTROOM	B	E	I	I	I	G	8'-6"	2	3'-0" x 7'-0"	HM	A	1	STL	5/AS	4/AS				
3	STAFF RESTROOM	B	E	I	I	I	G	8'-6"	3	2'-0" x 7'-0"	HM	A	1	STL	5/AS	4/AS				
4	BOYS RESTROOM	B	E	I	I	I	G	8'-6"												

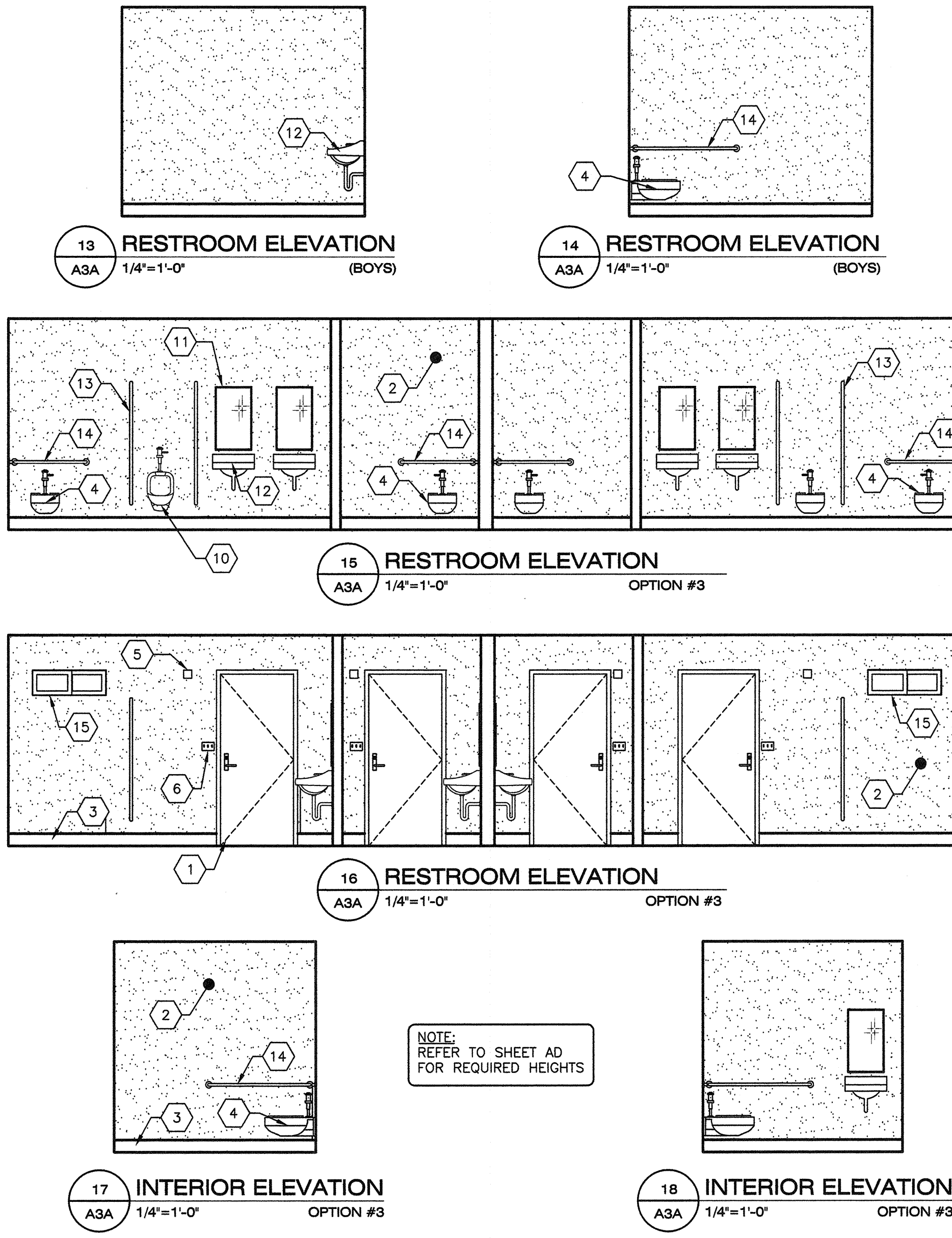
WINDOW SCHEDULE									
WINDOW NO.	AMT.	TYPE	WIDTH	HEIGHT	FINISH	GLASS TYPE	U-FACTOR	SHGC	REMARKS
1	2	SLIDER	3'-0"	1'-0"	BRONZE	OPACQUE	0.780	0.430	

HM - HOLLOW METAL
 AL - ALUMINUM
 SSET - STAINLESS STEEL
 STL - STEEL FRAME, 16 GA. FULLY WELDED
 WWF - WINDOW WALL FRAME
 SC - SOLID CORE WOOD
 HC - HOLLOW CORE WOOD

*CLASSROOMS > 1000 S.F. WILL REQ' PANIC HARDWARE PER CBC 1008.1.9

NOTE: REFER TO SHEETS ASA, A3A & A7A FOR HEAD & JAMB DOOR DETAILS W/ OPTIONAL EXTERIOR FINISHES

A - CARPET PER STATE OF CALIF SPEC COMPLYING WITH GROUP 1, TYPE A OR TYPE B, CLASS 2, DENSITY 4600, DIRECT GLUE DOWN.
 B - VINYL SHEET FLOORING
 C - VCT, ARMSTRONG STANDARD OR EXCELON
 D - TOP SET BASE, 4" BURNE
 E - TOP SET BASE, 6" BRINGANTINE OR SANDOVAL
 F - WALL FINISH, 1/2" VINYL TACKBOARD CLASS 1 OVER 1/2" GYP BOARD BACKING
 G - 1/2" W.R. GYP BOARD, TAPE, TEXTURE, PAINTED FINISH
 H - 1/2" GYP BOARD, TAPE, TEXTURE, PAINTED FINISH
 I - 3/32" F.R.P. OVER 1/2" W.R. GYP BOARD
 J - ACCUSTICAL LAY IN GRID CEILING PANELS (SEE SPECIFICATIONS)
 K - 1/2" VINYL TACKBOARD CLASS 1 OVER 5/8" TYPE "X" GYP BOARD BACKING
 L - 5/8" TYPE "X" GYP BOARD, TAPE, TEXTURE, PAINTED FINISH



- KEY NOTES -

1 TYP EXTERIOR DOOR	10 TYP. URINAL
2 F.R.P. FIBER REINFORCED PLASTIC	11 TYP. MIRROR
2A VINYL WRAPPED TACKABLE WALLS	12 TYP. LAVATORY
3 6" BASE	13 TOILET PARTITION
3A 4" BASE	14 GRAB BAR
4 TYP. TOILET	15 TYP. WINDOW
5 HORN/STROBE J-BOX SEE ELECTRICAL SHEETS	
6 LIGHT SWITCH SEE ELECTRICAL SHEETS	
7 NOT USED	
8 TYP GFCI OUTLET SEE ELECTRICAL SHEETS	
9 WATER HEATER FOR DETAILS REFER TO SHEET 9/M2	

NOTE: ALL INTERIOR SURFACE REQUIREMENTS PER CBC CHAPTER II

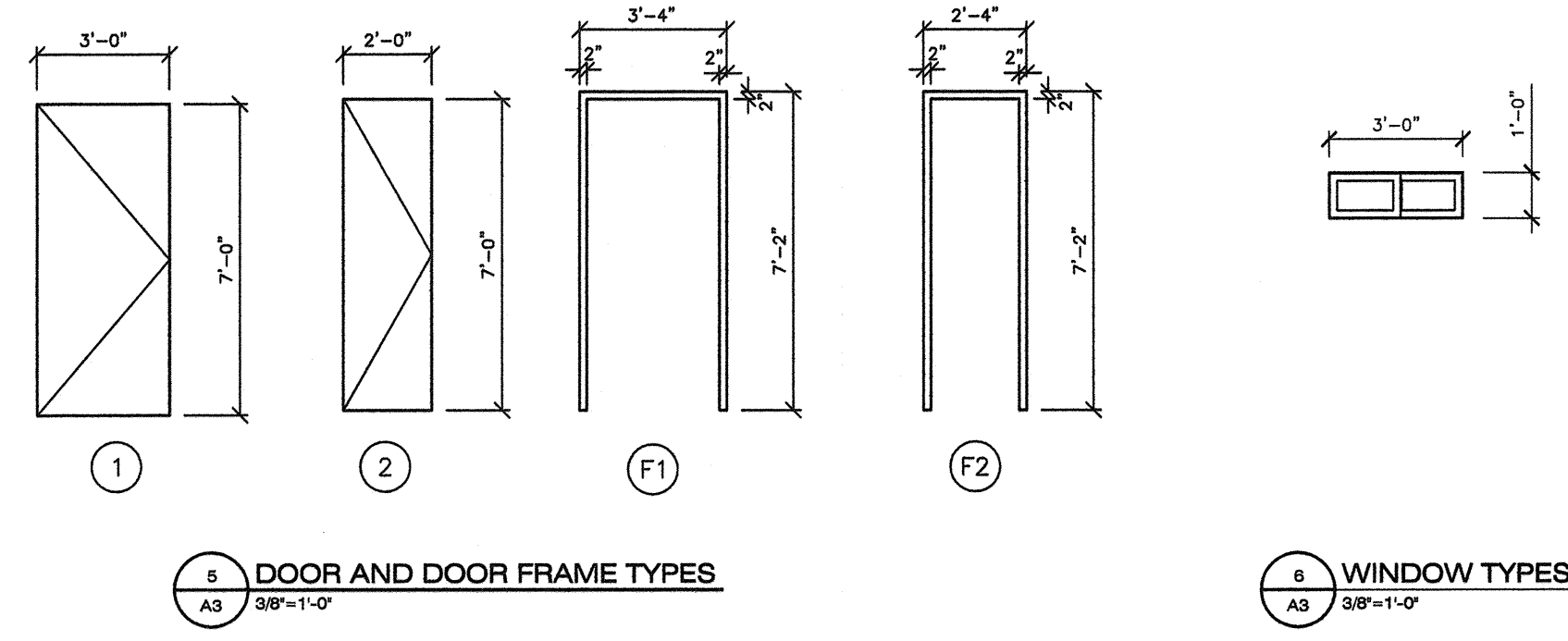
- BUILDING FIXTURE SCHEDULE -

MARK	FIXTURE	TYPE @ KINDERGARTEN	TYPE @ ELEMENTARY	TYPE @ ADULT	REMARKS
WC 1	WATER CLOSET	WALL MOUNT TYPE AMERICAN STANDARD MODEL AFWALL 2257.103 OR EQUAL	WALL MOUNT TYPE AMERICAN STANDARD MODEL AFWALL 2257.103 OR EQUAL	WALL MOUNT TYPE AMERICAN STANDARD MODEL AFWALL 2257.103 OR EQUAL	MOUNT AS SPECIFIED IN FLOOR PLANS
WC 2	WATER CLOSET	FLOOR MOUNT TANK TYPE AMERICAN STANDARD MODEL BABY DEVORO 2315.016 OR EQUAL	FLOOR MOUNT TANK TYPE AMERICAN STANDARD MODEL COLONY 2399.010 OR EQUAL	FLOOR MOUNT TANK TYPE AMERICAN STANDARD MODEL CADET 2998.012 OR EQUAL	MOUNT AS SPECIFIED IN FLOOR PLANS
WC 3	WATER CLOSET	FLOOR MOUNT FLUSH VALVE TYPE AMERICAN STANDARD MODEL BABY DEVORO 2282.010 OR EQUAL	FLOOR MOUNT FLUSH VALVE TYPE AMERICAN STANDARD MODEL MADERA 2234.015 OR EQUAL	FLOOR MOUNT FLUSH VALVE TYPE AMERICAN STANDARD MODEL MADERA 3043.102 OR EQUAL	FLUSH VALVE ZURN MODEL Z6000 OR EQUAL. MOUNT AS SPECIFIED IN FLOOR PLANS
L 1	LAVATORY	KOHLER MODEL HUDSON #K-2861 OR EQUAL			CHICAGO SINGLE CONTROL LAVATORY FAUCET 3300-CP STAFF OR 3400-CP STUDENT IN FLOOR PLANS
L 2	LAVATORY	AMERICAN STANDARD MODEL LUCERNE 0355.012 OR EQUAL			AS SPECIFIED IN FLOOR PLANS
UR 1	URINAL	WALL MOUNT TYPE AMERICAN STANDARD MODEL ALLBROOK 6541.132 OR EQUAL			FLUSH VALVE ZURN MODEL Z6003 OR EQUAL. MOUNT AS SPECIFIED IN FLOOR PLANS
M 1	MIRROR	WALL MOUNT TYPE BRADLEY MODEL 781-1830 OR EQUAL			MOUNT AS SPECIFIED IN FLOOR PLANS
GB 1	36" GRAB BARS	WALL MOUNT TYPE CREATIVE SPECIALTIES INTERNATIONAL MODEL R7436 (1 1/4" EXPOSED SCREW 36" & 42") OR EQUAL			18 GA. 304 STAINLESS STEEL SATIN FINISH. MOUNT AS SPECIFIED IN FLOOR PLANS (STRUCTURAL STRENGTH OF GRAB BARS 25# MIN.)
GB 2	42" GRAB BARS				
WH 1	WATER HEATER	RHEEMGLAS ENERGY MISER ELECTRIC WATER HEATER RHEEM POINT OF USE MODEL 81VP2S THRU 82VP30-1 OR EQUAL			AVAILABLE IN 2 1/2, 6, 10, 15, 20 AND 30 GALLON MODELS. MOUNT AS SPECIFIED IN FLOOR PLANS
FLS 1	FLOOR SINK	FLORESTONE FLOOR SINK MOLDED MOP RECEPTORS MODEL MSR-2424			AMERICAN STANDARD EXPOSED YOKE WALL MOUNT UTILITY FAUCET MODEL 8344.112
ULS 1	UTILITY SINK	WALL MOUNT TYPE ELJER RADFORD SINK MODEL 241-0354			AMERICAN STANDARD EXPOSED YOKE WALL MOUNT UTILITY FAUCET MODEL 8344.112
FV 1	FLUSH VALVE	SLOAN REGAL FLOSHOMETER MODEL #111			FLOW OPTIONS: 1.6 GAL. LOW CONSUMPTION FLUSH WATER CLOSET VALVE MOUNT AS SPECIFIED IN FLOOR PLANS. HANDLE AT WIDE SIDE
FV 2	FLUSH VALVE	ZURN FLUSH VALVE MODEL EXPOSED Z6003			FLOW OPTIONS: 1.0 GAL. LOW CONSUMPTION FLUSH 3/4" URINAL VALVE MOUNT AS SPECIFIED IN FLOOR PLANS. HANDLE AT WIDE SIDE
CS 1	CLASSROOM SINK	TEKA SINGLE BOWL SINK MODEL #256-413 OR EQUAL			AS SPECIFIED IN FLOOR PLANS
CS 1	KITCHEN SINK	TEKA DOUBLE BOWL SINK MODEL #336-413 OR EQUAL			AS SPECIFIED IN FLOOR PLANS

- STANDARD EQUIPMENT SCHEDULE -

A. SEWER AND WATER STUB OUTS - SHALL BE LOCATED WITHIN THE ALLOWABLE AREA AS SHOWN ON FLOOR PLAN AND CONNECTIONS SHOULD BE EASILY ACCESSIBLE FOR FUTURE RELOCATION. STUB OUT HEIGHT SHOULD BE COORDINATED WITH THE MANUFACTURER.
 B. PIPING - WATER, COPPER TYPE "L", 95/5 SOLDER, WASTE DRAIN AND VENT ABS.
 C. TOILET TISSUE DISPENSER - BRADLEY MODEL 508-32 OR EQUAL
 D. TOILET PARTITIONS - ACCURATE SOLID PLASTIC OR EQUAL
 E. TOILET SEAT COVER - BOBRICK B-221 OR EQUAL

- SHEET NOTES -
- RESTROOM CONFIGURATION MAY VARY PER BUILDING CONFIGURATION
 - INTERIOR WALLS MAY OCCUR THROUGHOUT BUILDING REFER TO SHEET SSA FOR ATTACHMENTS.
 - REFER TO SCHEDULE 15/AD FOR ACCESSIBLE HEIGHTS @ TOILETS
 - REFER TO DETAILS 16 & 17/AD FOR TOILET ANCHORAGE



REVISIONS

NO	DATE	DESCRIPTION

DATE: 08/12/10
 SCALE: NOTED
 DRAWN BY: RS
 SERIAL NO.:

CUSTOMER:
 BAKERSFIELD SCHOOL DISTRICT
 PIONEER DRIVE ELEMENTARY SCHOOL

12'X40' RELOCATABLE BUILDING
 TYPICAL RESTROOM INTERIOR ELEVATIONS

AMS
 American Modular Systems Inc.
 787 Spreckels Ave. Manteca, CA 95336
 (209)825-1921 Fax (209)825-7018
 americanmodular.com

APPROVALS:

IDENTIFICATION STAMP
 DIV. OF THE STATE ARCHITECT
 No. C12631
 Ren. 3/21/11
 DATE: 9-7-2010

IDENTIFICATION STAMP
 DIV. OF THE STATE ARCHITECT
 OFFICE OF REGULATION SERVICES
 AC: _____ FLS: _____ SS: _____
 DATE: _____

PROJECT No. **A3-2**

THESE DRAWINGS AND SPECIFICATIONS ARE THE PROPERTY OF AMERICAN MODULAR SYSTEMS, INC. AND ARE NOT TO BE REPRODUCED, CHANGED OR COPIED IN ANY FORM OR MANNER, NOR ARE THEY TO BE ASSIGNED TO ANY THIRD PARTY WITHOUT THE WRITTEN AUTHORIZATION OF AMERICAN MODULAR SYSTEMS, INC.

BASED ON PC# 02-109808