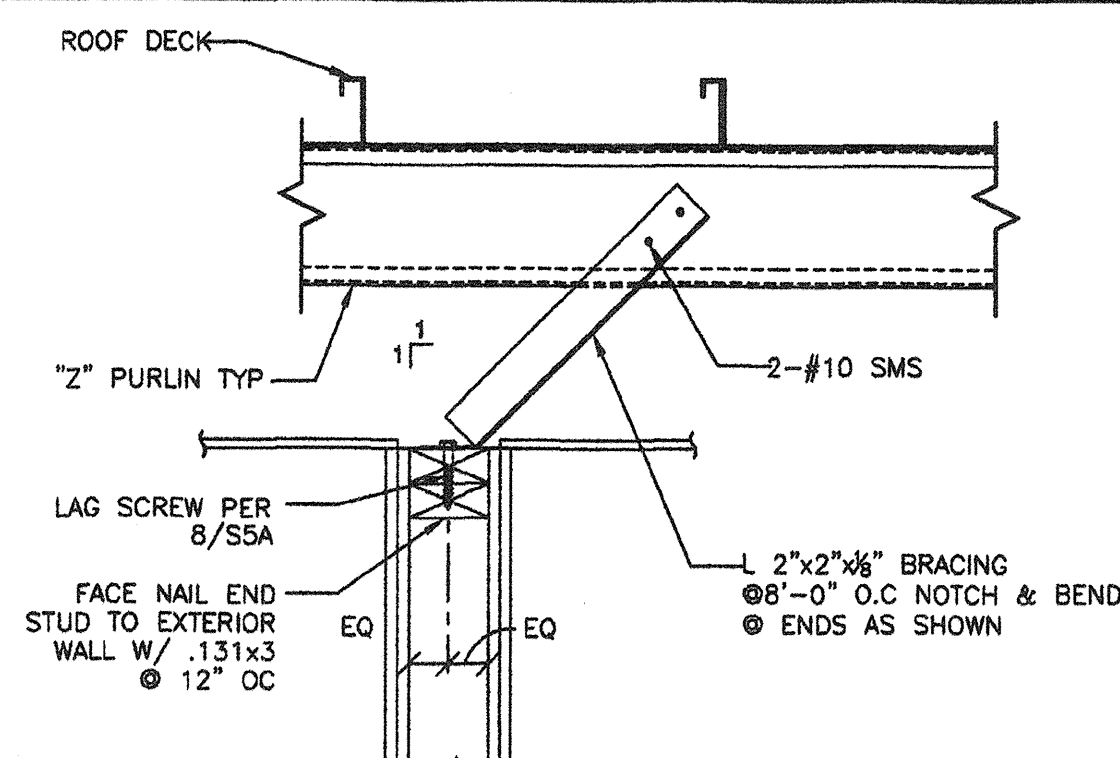
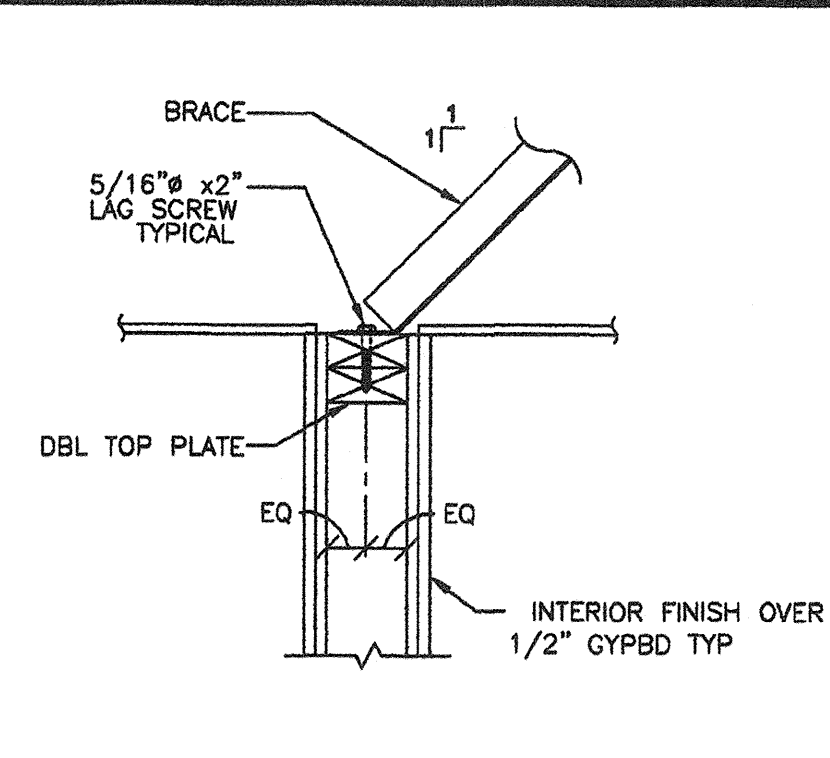


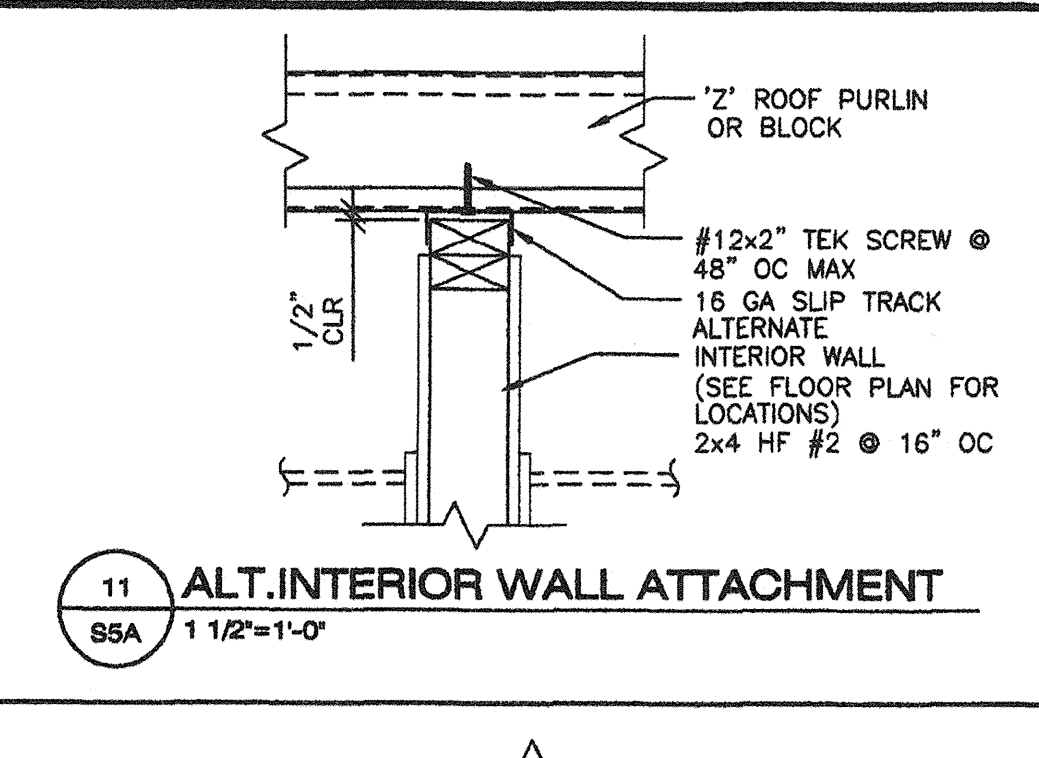
1 WALL TO COLUMN TYP DETAIL @ MODLINES
SSA 1 1/2"=1'-0"



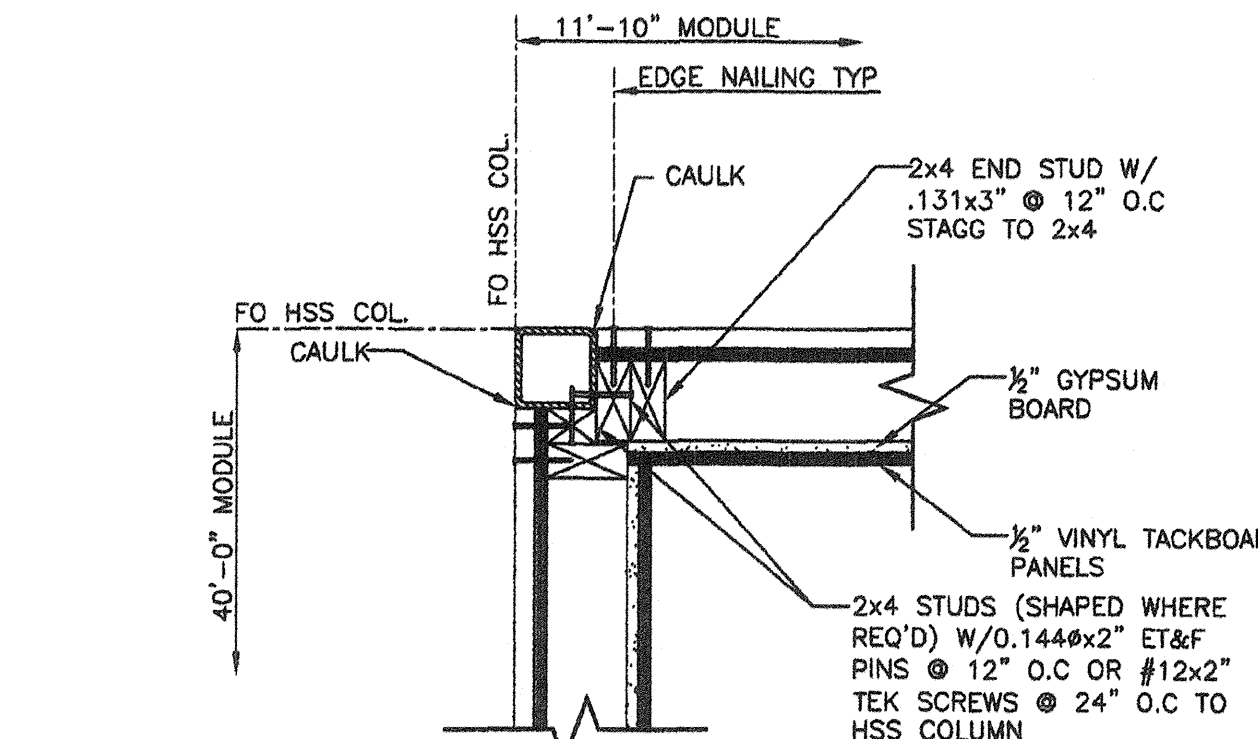
5 TYP. INTERIOR WALL BRACING
SSA 1 1/2"=1'-0" (BRACE PARALLEL TO PURLINS)



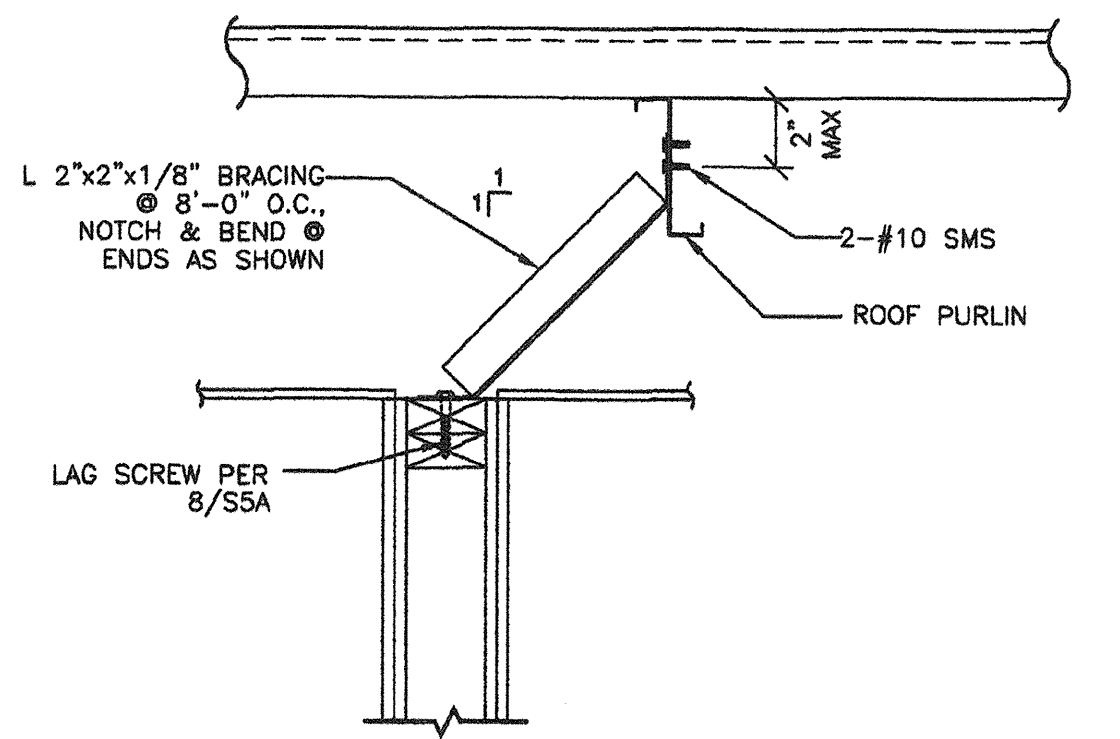
8 TYP. INTERIOR WALL BRACING
SSA 1 1/2"=1'-0" (INTERIOR PARTITION BRACING)



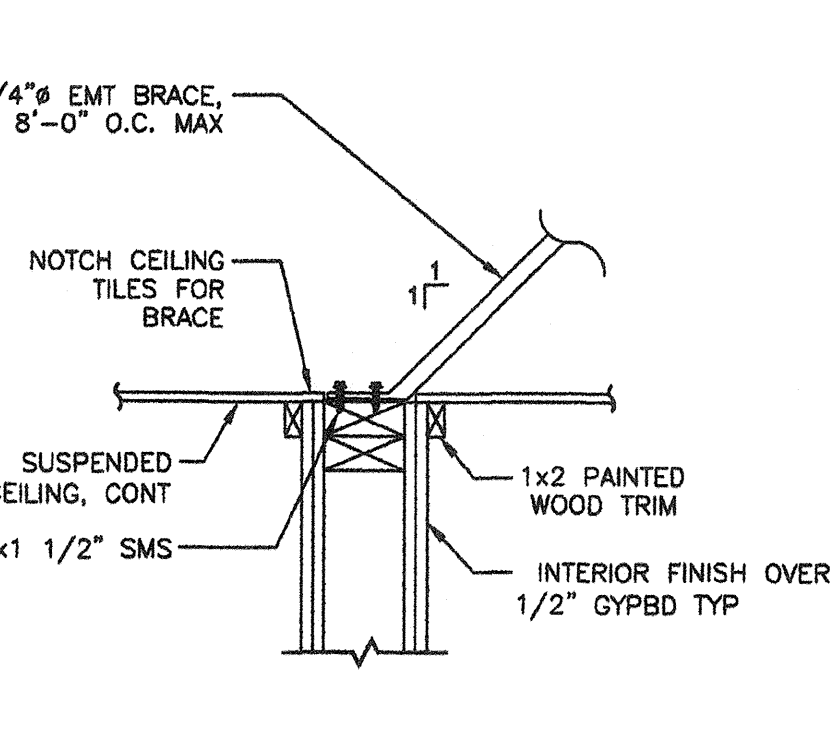
11 ALT. INTERIOR WALL ATTACHMENT
SSA 1 1/2"=1'-0"



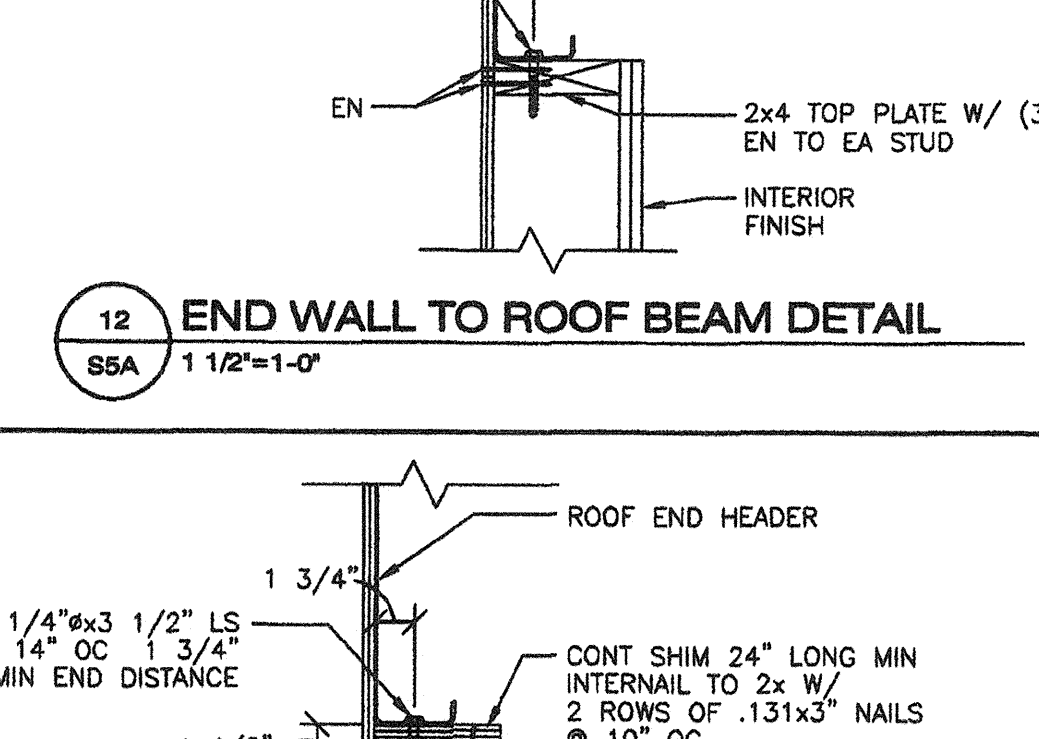
2 WALL TO COLUMN TYP DETAIL @ CORNER
SSA 1 1/2"=1'-0"



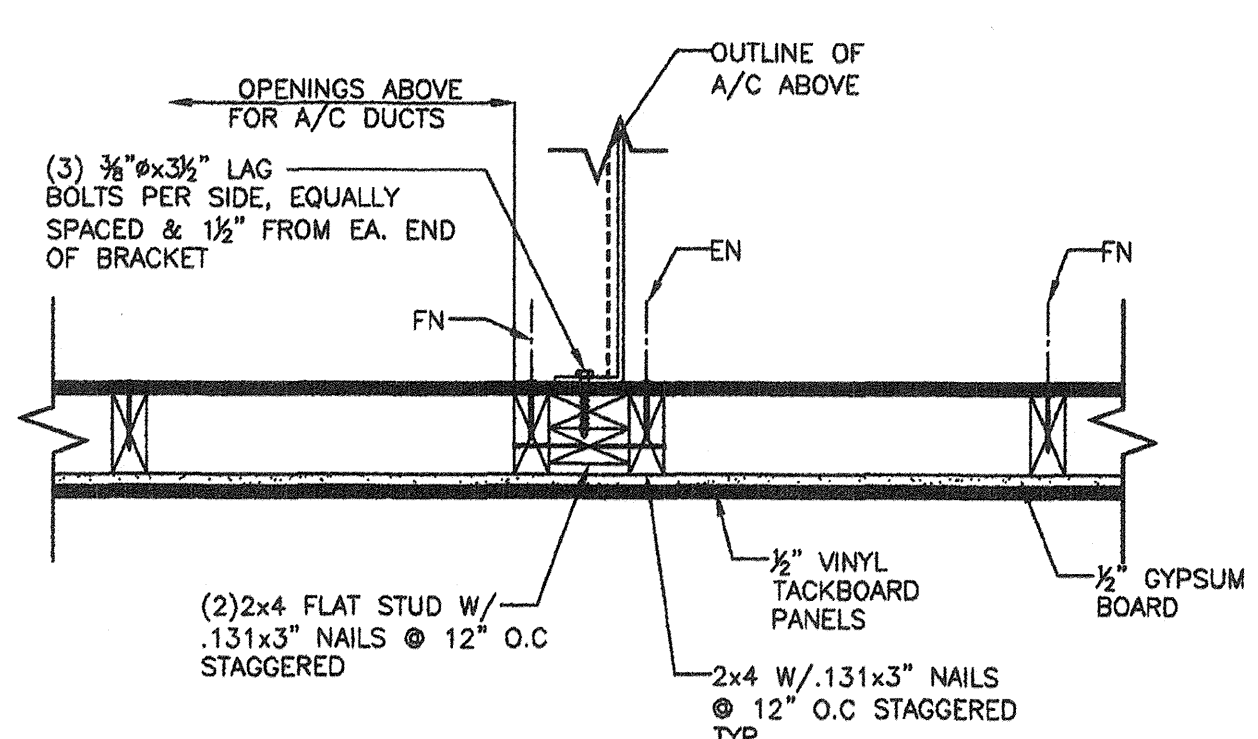
6 TYP. INTERIOR WALL BRACING
SSA 1 1/2"=1'-0" (BRACE PERPENDICULAR TO PURLINS)



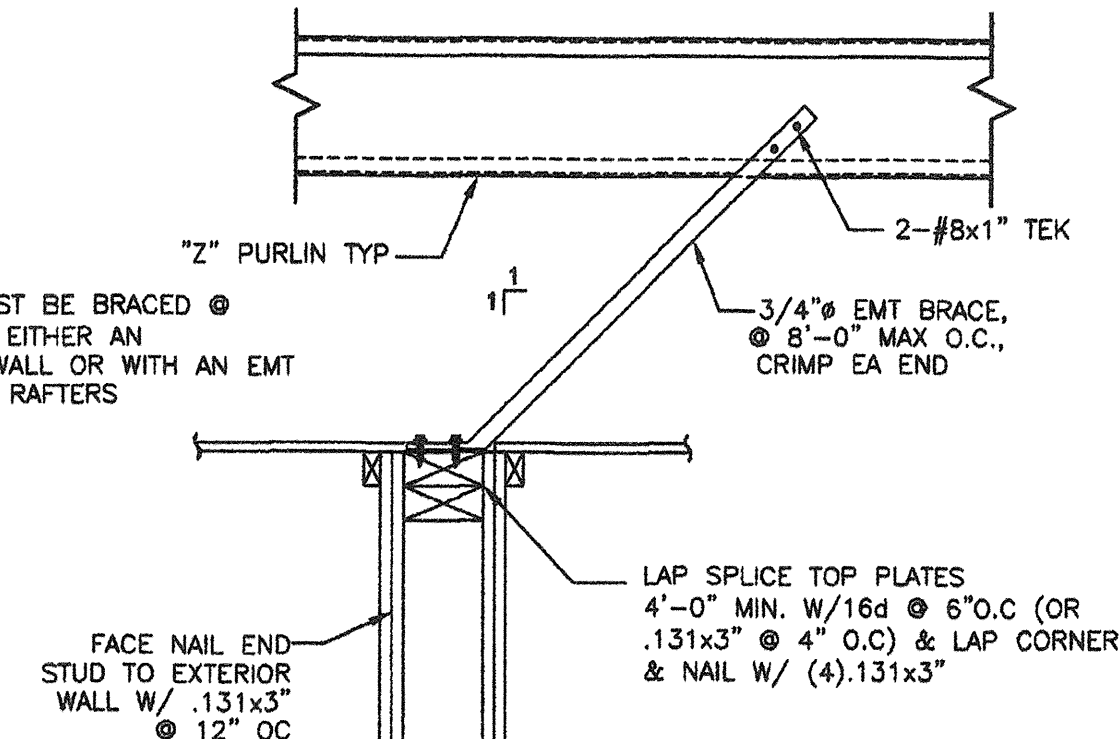
9 ALT. INTERIOR WALL BRACING
SSA 1 1/2"=1'-0" (INTERIOR PARTITION BRACING w/EMT BRACING)



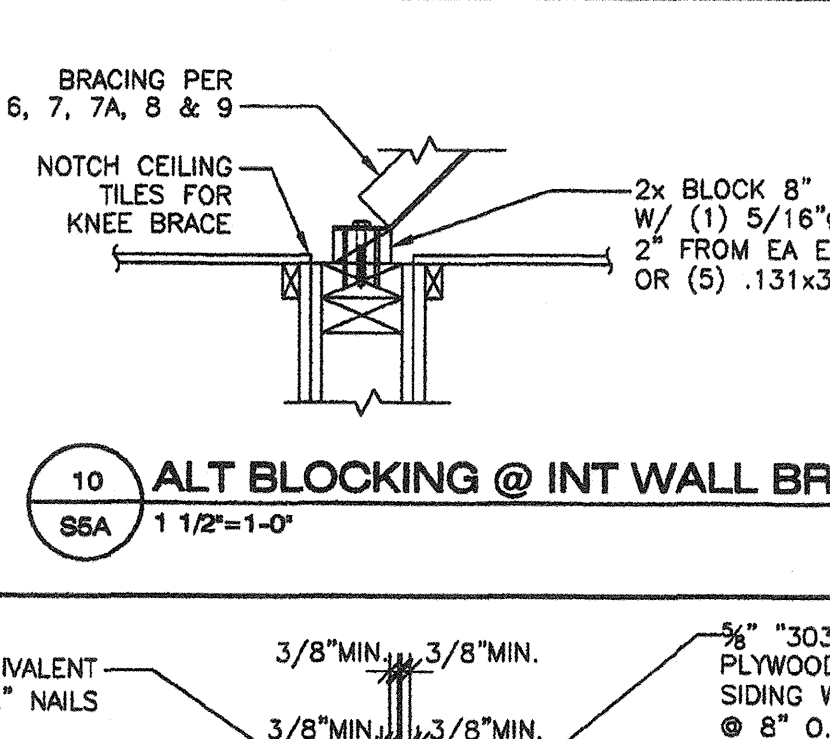
12 END WALL TO ROOF BEAM DETAIL
SSA 1 1/2"=1'-0"



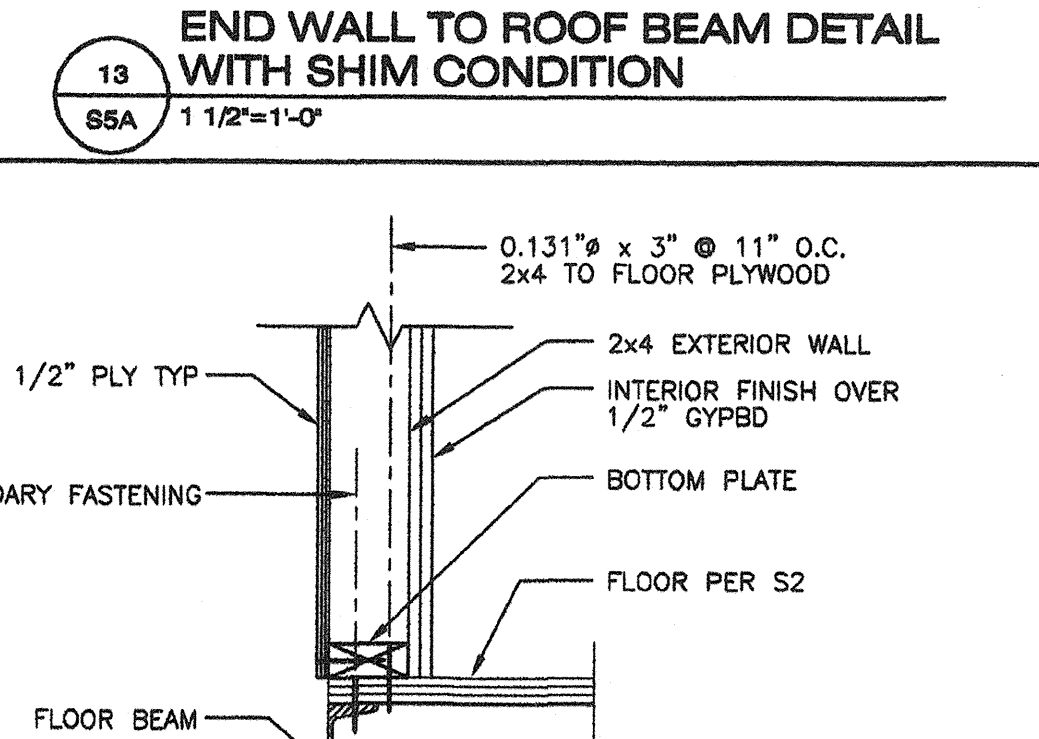
3 WALL HUNG HVAC DETAIL ATTACHMENT
SSA 1 1/2"=1'-0"



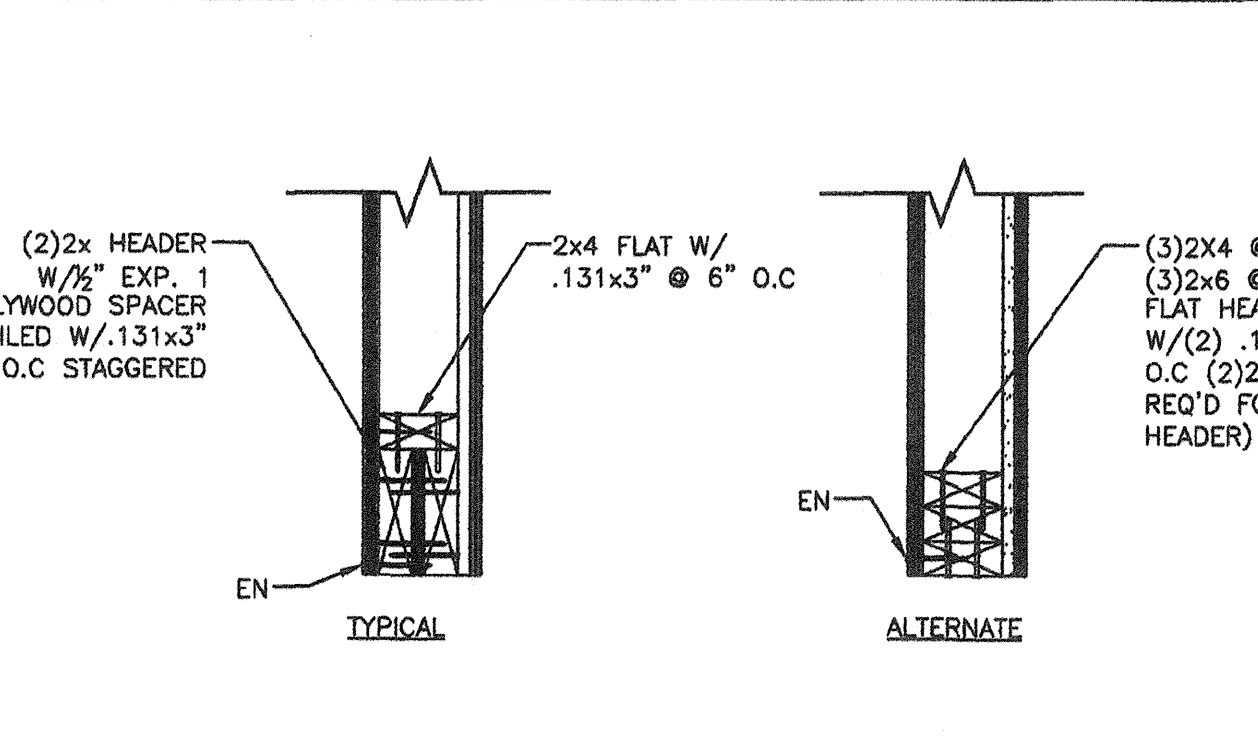
7 ALT. INTERIOR WALL BRACING w/EMT BRACE
SSA 1 1/2"=1'-0" (BRACE PARALLEL TO PURLINS)



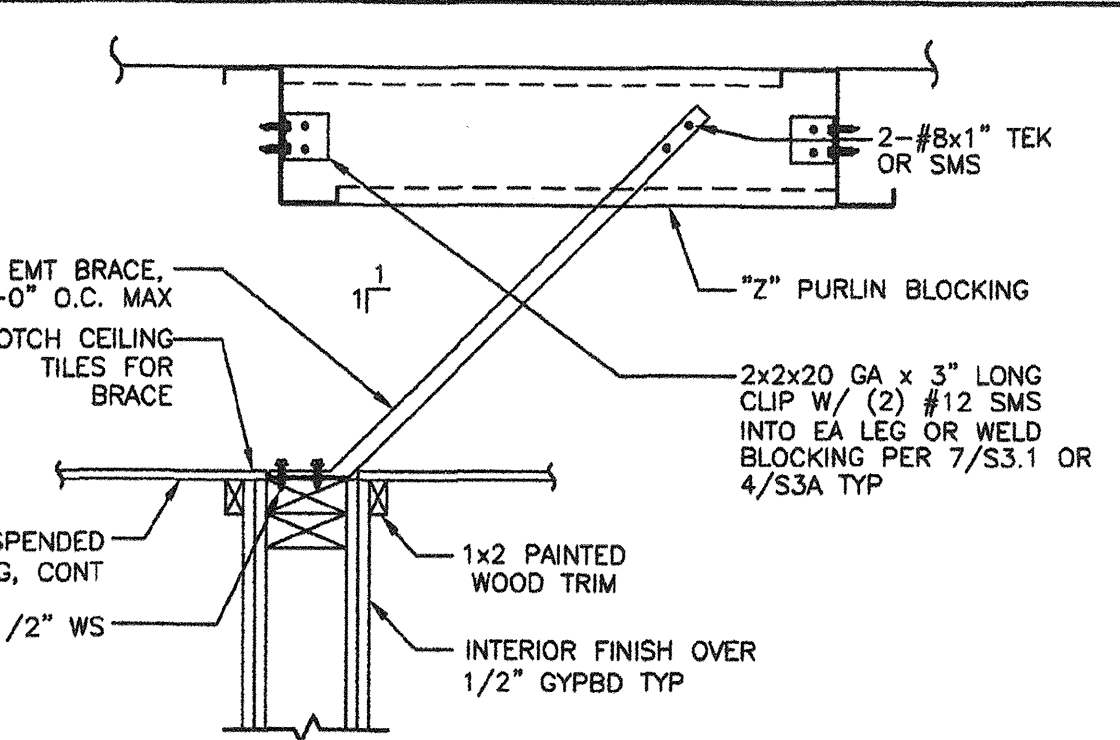
10 ALT BLOCKING @ INT WALL BRACING
SSA 1 1/2"=1'-0"



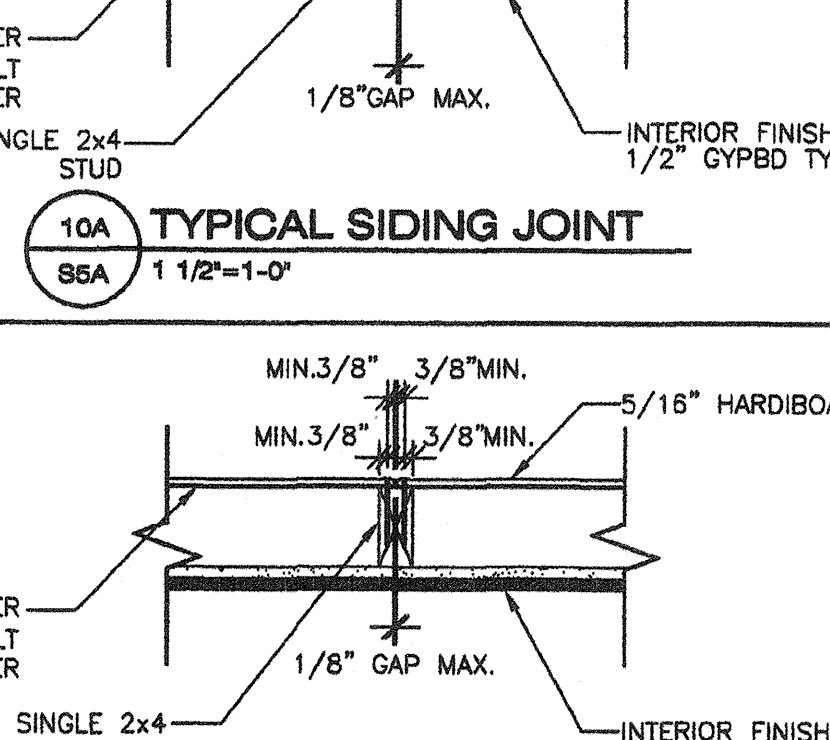
13 END WALL TO ROOF BEAM DETAIL WITH SHIM CONDITION
SSA 1 1/2"=1'-0"



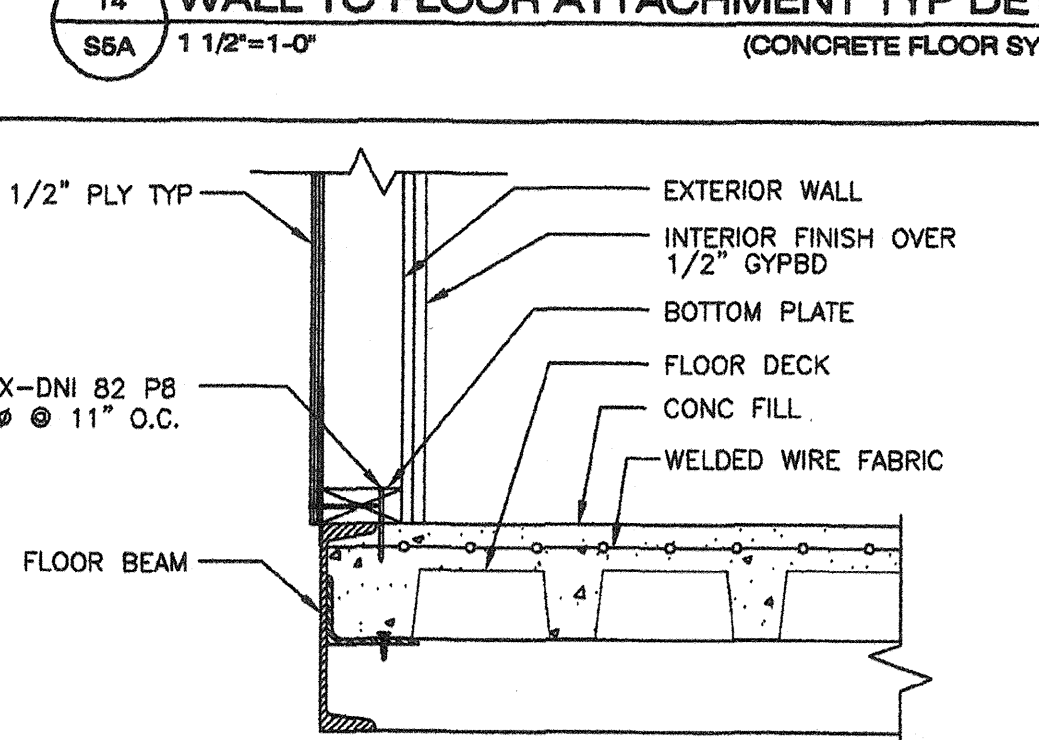
4 WALL HEADER DETAILS AND ALTERNATE
SSA 1 1/2"=1'-0"



7A ALT. INTERIOR WALL BRACING w/EMT BRACE
SSA 1 1/2"=1'-0" (BRACE PERPENDICULAR TO PURLINS)



10A TYPICAL SIDING JOINT
SSA 1 1/2"=1'-0"



14 WALL TO FLOOR ATTACHMENT TYP DETAIL
SSA 1 1/2"=1'-0" (CONCRETE FLOOR SYSTEM)

REVISIONS		
NO.	DATE	DESCRIPTION

DATE: 02/06/08
SCALE: NOTED
DRAWN BY: DM
SERIAL NO.:

CUSTOMER:
2:12 PITCHED ROOF 24' x 40' THRU 120' x 40' RELOCATABLE BUILDINGS WALL FRAMING DETAILS

AMS
American Modular Systems Inc.
787 Spreckels Ave. Manteca, CA 95336
(209)925-1921 Fax: (209)925-7018
americanmodular.com

APPROVALS:
THESE DRAWINGS ARE PRELIMINARY AND NOT FOR CONSTRUCTION UNLESS STAMPED & SIGNED BY THE ENGINEER OF RECORD.

REGULATED PROFESSIONAL ENGINEER
Kenneth A. Luttrell
No. 1419
Exp. 3-31-09
Structural Engineer
STATE OF CALIFORNIA

IDENTIFICATION STAMP
DIV. OF THE STATE ARCHITECT
C3 118549
PC 02-109695
DATE: 3/23/2009

PROJECT No.
S5A-C

THESE DRAWINGS AND SPECIFICATIONS ARE THE PROPERTY OF AMERICAN MODULAR SYSTEMS AND ARE NOT TO BE REPRODUCED, COPIED, OR IN ANY MANNER, WITHOUT THE WRITTEN APPROVAL OF AMERICAN MODULAR SYSTEMS.