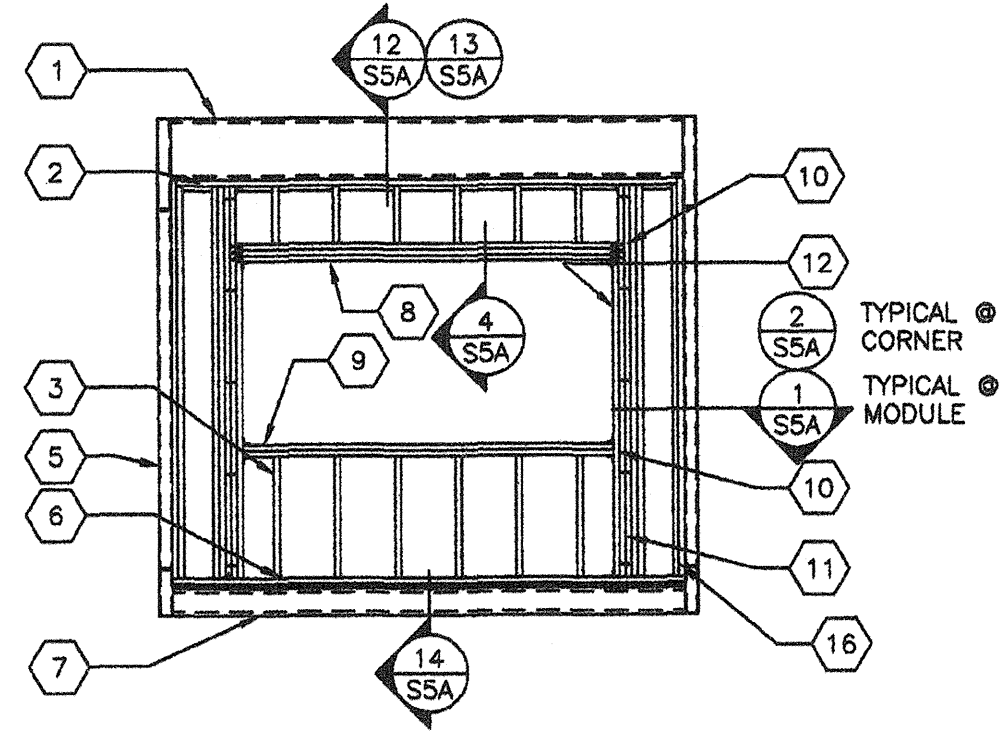
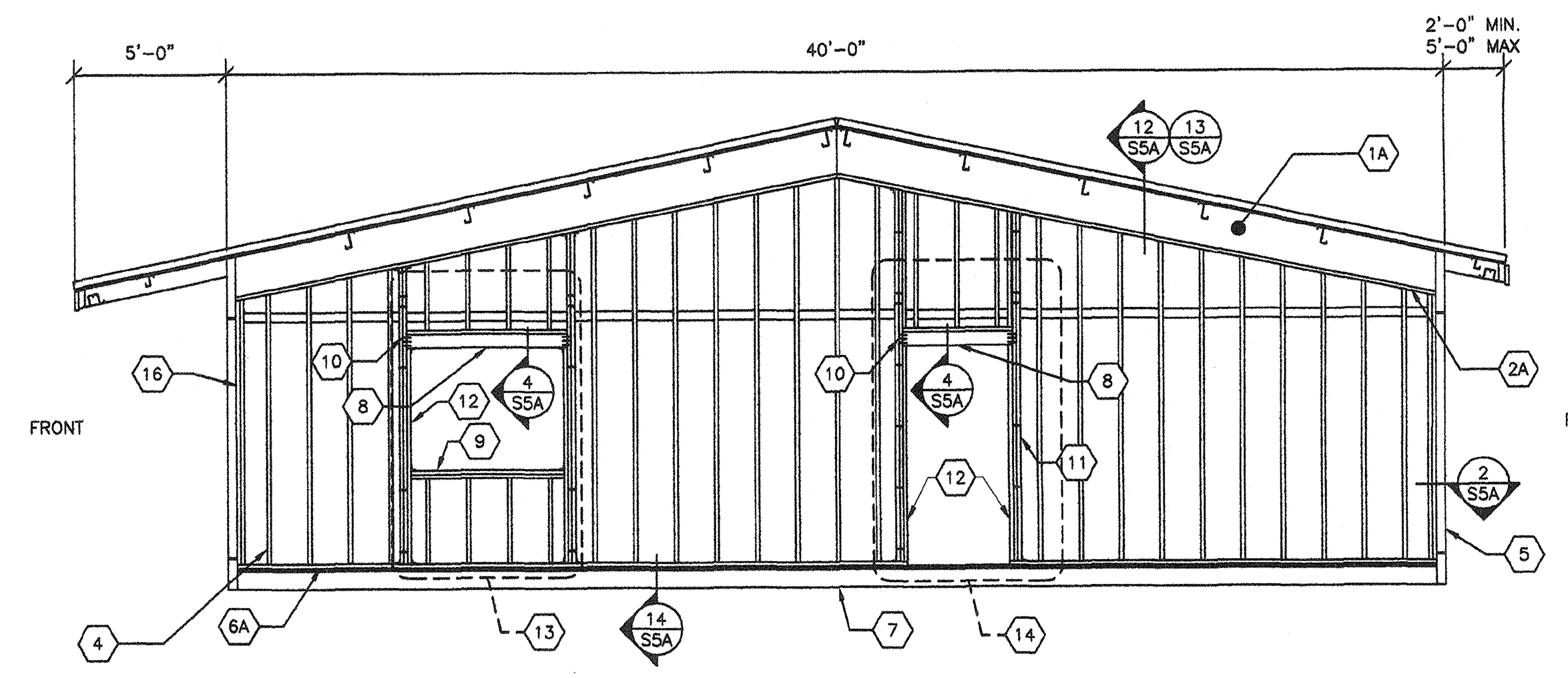


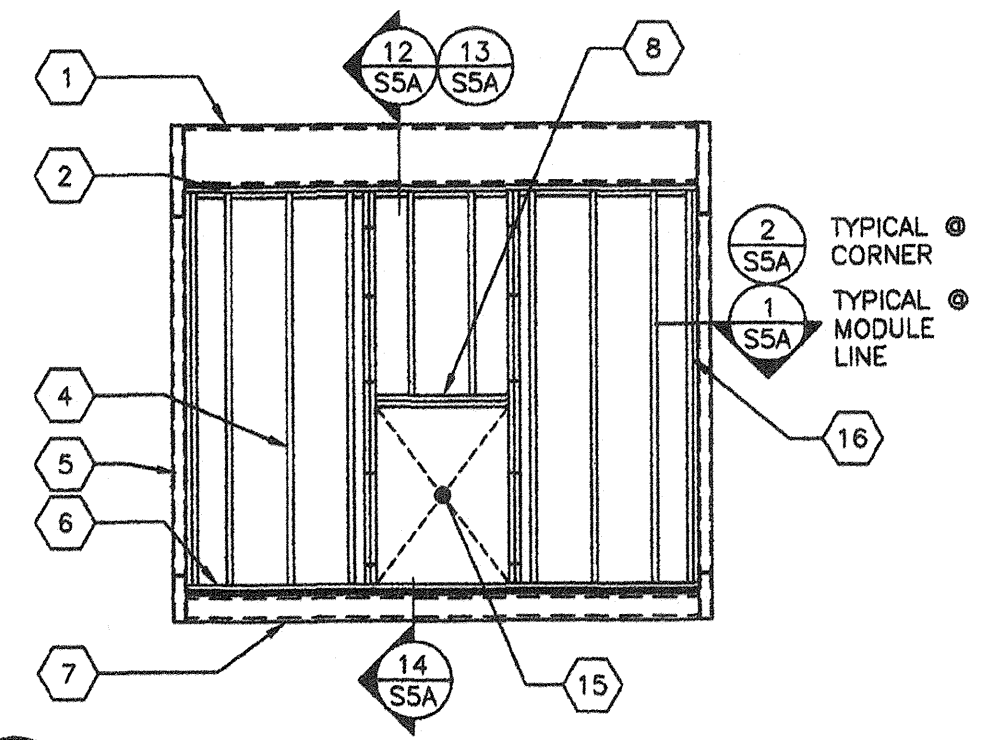
1 TYP END WALL FRAMING W/NO OPENINGS
S5 1/4"=1'-0"



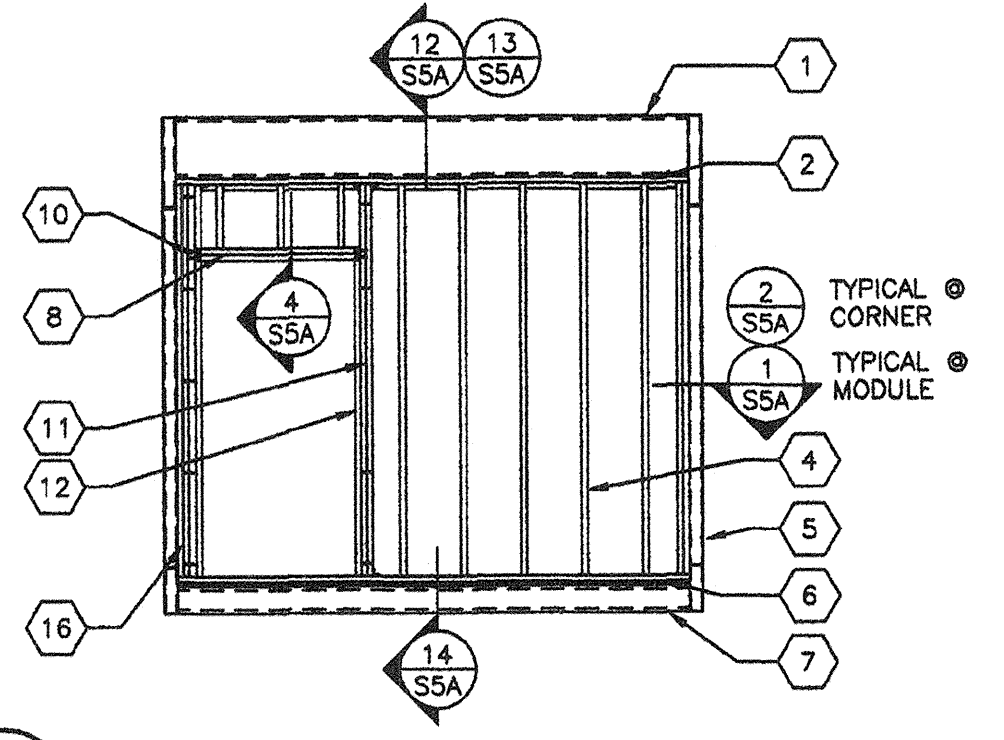
2 TYP END WALL FRAMING W/WINDOW
S5 1/4"=1'-0"



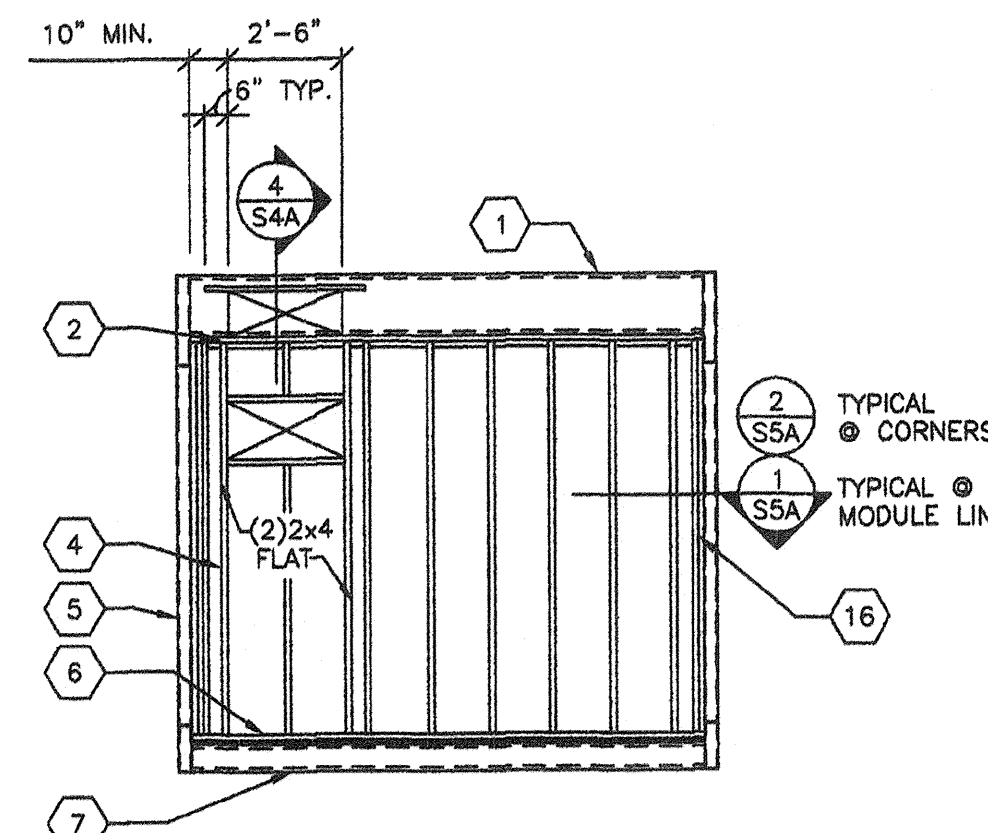
6 TYP SIDE WALL FRAMING
S5 1/4"=1'-0"



3 TYP END WALL FRAMING W/DOOR HVAC UNIT
S5 1/4"=1'-0" OPTIONAL



4 TYP END WALL FRAMING W/DOOR
S5 1/4"=1'-0"



3 TYP END WALL FRAMING W/WALL HUNG HVAC UNIT
S5 1/4"=1'-0" OPTIONAL

- KEY NOTES -

- 1 ROOF HEADER
- 1A ROOF BEAM
- 2 2x4 HEM FIR #2 PLATE NO SPLICE
- 2A 2x HEM FIR #2 PLATE
- 3 2x STUDS SPACED PER SCHEDULE TYP. W/ (3) .131x3" NAILS @ EA END
- 4 2x4 STUDS SPACED PER SCHEDULE W/(3).131x3" NAILS @ EA END @ TRANSVERSE WALLS. (2) 2x4'S OR (1)2x6 STUDS SPACED PER SCHEDULE W/(3).131x3" NAILS @ EACH END @ LONGITUDINAL WALLS.
- 5 HSS COLUMN PER SHEET S4
- 6 2x HEM FIR #2 BOTTOM PLATE NO SPLICES
2x P.T. HEM FIR #2 AT CONCRETE FLOORS
- 6A 2x HEM FIR #2 BOTTOM PLATE
2x P.T. HEM FIR #2 AT CONCRETE FLOORS
- 7 PERIMETER FLOOR BEAM
- 8 (2) 2x6 HEM FIR W/ 2x4 FLAT HEADER
ALT. (3) FLAT 2x HEM FIR. PER DETAIL 4/SSA
- 9 (2) 2x HEM FIR #2 WINDOW SILL PLATE TYP.
(3) 2x HEM FIR #2 OR (2) 2x DOUG FIR #2 @ STUCCO WALLS
- 10 (7).131x3" END NAILS THROUGH KING STUD TYP (ONLY 5 NAILS REQUIRED AT WINDOW SILLS) INTERNAL KING STUDS W/.131 NAILS @ 12" O.C MAX
- 11 (2) 2x HEM FIR #2 KING STUDS W/ (2) A34 T&B TO PLATE @ OPENINGS LESS THAN 4'-0" (INTERNAL W/0.131 NAILS @ 12" OC TYP MAX.)
(4) 2x HEM FIR #2 KING STUDS W/(2) A34 T & B TO PLATE @ TRANSVERSE WALLS @ OPENINGS GREATER THAN 4'-0" (INTERNAL W/0.131 NAILS @ 12" OC TYP MAX.)
(6) 2x HEM FIR #2 KING STUDS W/(2) A34 T & B TO PLATE @ LONGITUDINAL WALLS @ OPENINGS GREATER THAN 4'-0" (INTERNAL W/0.131 NAILS @ 12" OC TYP MAX.)
- 12 2x HEM FIR #2 TRIMMER
- 13 OPTIONAL WINDOW OPENING MAX 8'-0" WIDE (REFER TO 2/SS FOR DETAILS AND FLOOR PLANS FOR LOCATIONS)
- 14 OPTIONAL DOOR OPENING (REFER TO 4/SS FOR DETAILS AND FLOORPLANS FOR LOCATIONS)
- 15 HVAC OPENINGS @ INDOOR UNIT
- 16 2x NAILER

EXTERIOR WALL FINISH/WALL STUD SCHEDULE

FINISH TYPE	FOUNDATION TYPE	WALL FINISH COMMENTS	STUD TYPE	STUD SPACING TYPICAL	STUD SPACING @ CORNERS
5/8" PLYWOOD SHEATHING 303 CONFORMING TO PS1-95. VERTICAL GROOVES @ 8" OC	WOOD OR CONCRETE	JOINT DETAIL SEE 10/SSA NAILING PER BLDG SECTIONS	HEM FIR #2	@ 16" OC	@ 16" OC
5/8" HARDIBOARD WITH SYNTHETIC STUCCO	WOOD OR CONCRETE	JOINT DETAIL AND NAILING PER DETAIL 10/SSA	DOUG FIR #2	@ 16" OC	@ 16" OC
5/8" HARDI-LAP SIDING			HEM FIR #2	@ 16" OC	@ 16" OC
5/8" PLYWOOD SHEATHING CONFORMING TO PS1-95, APA RATED, 5 PLY 32/16, EXPOSURE 1 WITH 5/8" STUCCO	CONCRETE ONLY	NAILING PER BLDG SECTIONS	DOUG FIR #2	@ 16" OC	@ 16" OC

- ALL NAILS IN EXTERIOR APPLICATIONS TO BE GALVANIZED.
- WALL CORNERS ARE DEFINED AS A DISTANCE OF 8' FEET IN BOTH DIRECTIONS FROM EACH CORNER OF BUILDINGS WITH 2160 SQ. FT. OR GREATER AND A DISTANCE OF 4 FEET IN BOTH DIRECTIONS FROM EACH CORNER OF BUILDINGS WITH LESS THAN 2160 SQ. FT.
- TYPICAL PLYWOOD NAILING WHERE OCCURS .131x2 1/4" GALV @ 6" O.C E.N. & 12" O.C F.N.

REVISIONS

NO	DATE	DESCRIPTION

DATE: 02/07/08
SCALE: NOTED
DRAWN BY: DM
SERIAL NO.:

CUSTOMER:
2:12 PITCHED ROOF 24' x 40' THUR 120' x 40' RELOCATABLE BUILDINGS
WALL FRAMING ELEVATIONS

APPROVALS:

THESE DRAWINGS ARE PRELIMINARY AND NOT FOR CONSTRUCTION UNLESS STAMPED & SIGNED BY THE ENGINEER OF RECORD.

IDENTIFICATION STAMP
NO. OF THE STATE ARCHITECT
OFFICE OF REGULATION SERVICES

C3 118549
DATE: 4-2-2010

IDENTIFICATION STAMP
NO. OF THE STATE ARCHITECT
OFFICE OF REGULATION SERVICES

PC 02-109695
DATE: 3/23/2009

PROJECT No.
S5-C

THESE DRAWINGS AND SPECIFICATIONS ARE THE PROPERTY OF AMERICAN MODULAR SYSTEMS AND ARE NOT TO BE REPRODUCED, CHANGED OR COPIED IN ANY FORM OR MANNER, NOR ARE THEY TO BE ASSIGNED TO ANY THIRD PARTY WITHOUT THE WRITTEN AUTHORIZATION OF AMERICAN MODULAR SYSTEMS.