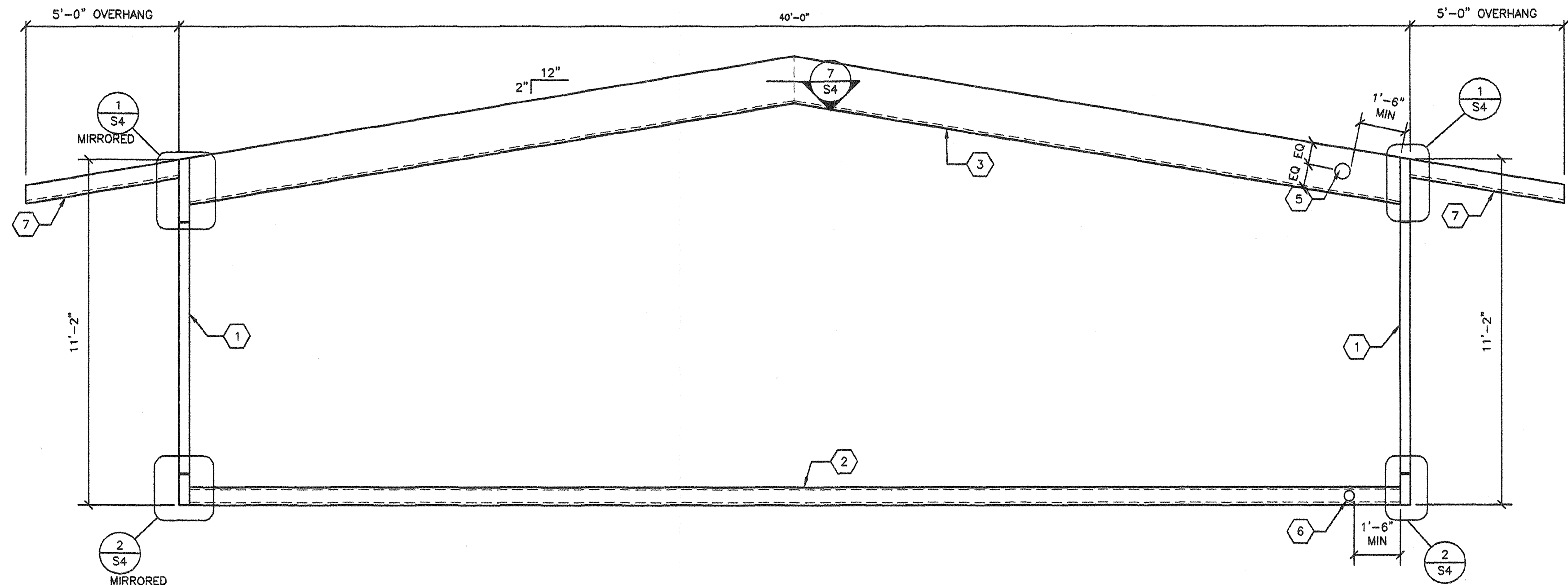


B TYPICAL TRANSVERSE FRAME
S4 3/8"=1'-0"

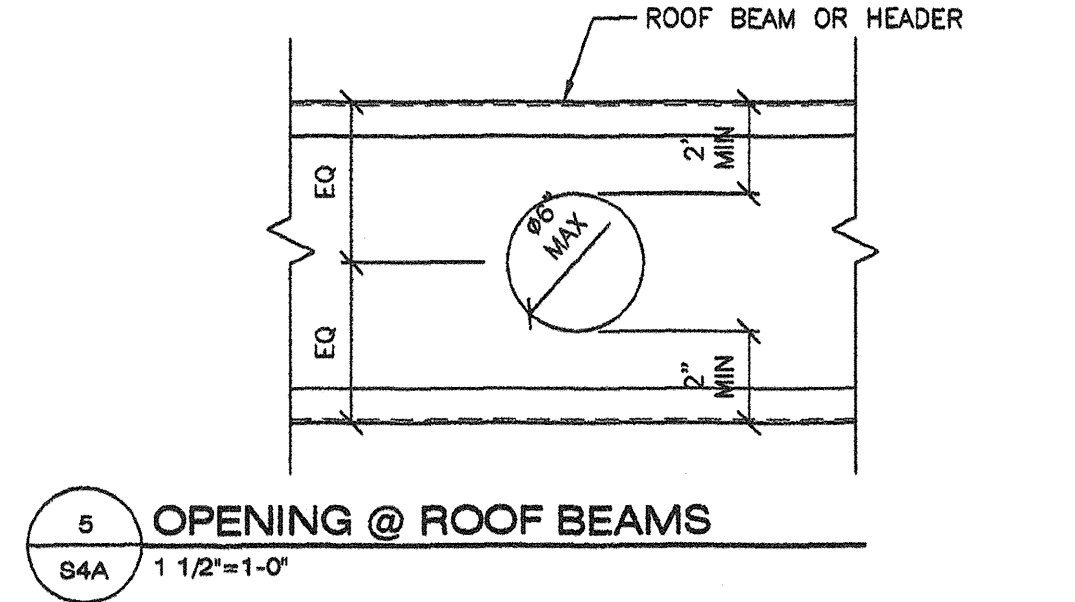


A TYPICAL LONGITUDINAL FRAME
S4 3/8"=1'-0"

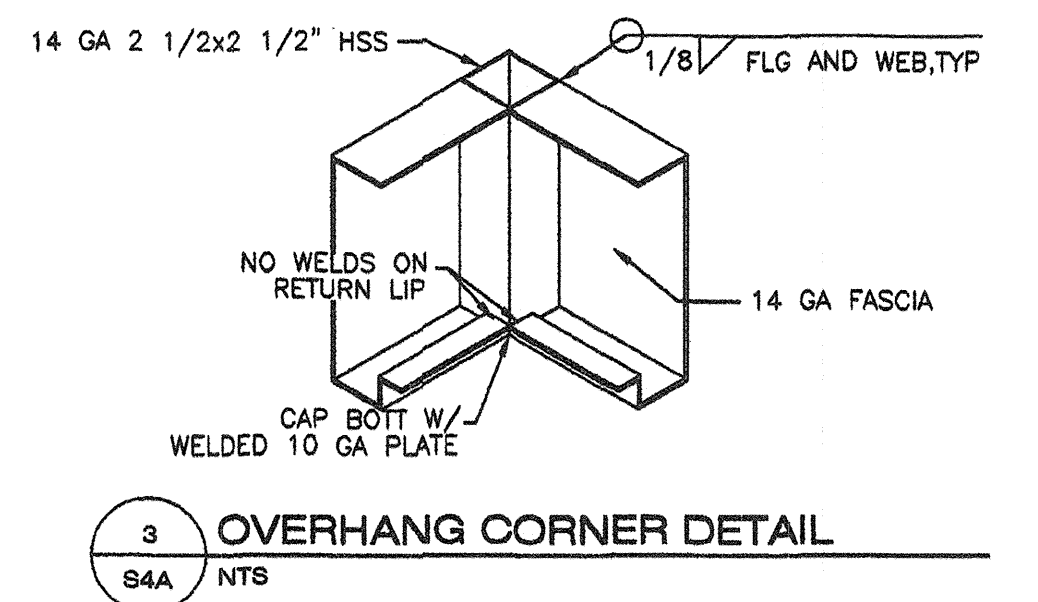
- KEY NOTES -**
- HSS 4x4x5/16" COLUMN
 - FLOOR BEAM PER SCHEDULE BELOW
 - LONGITUDINAL ROOF CHANNEL PER 10/S3.1
 - 12 GA. TRANSVERSE ROOF CHANNEL 14" MIN 18" MAX PER 11/S3.1
 - 6" Ø MAX OPENING IN WEB OF ROOF BEAM WITHOUT WEB REINFORCEMENT MINIMUM SPACING OF HOLES @ 48" O.C. HOLES MAY OCCUR @ ANY LOCATION ALONG LENGTH OF ROOF BEAM EXCEPT AS NOTED OTHERWISE ON FRAMING ELEVATION NOTE: IF HOLE IS 3" OR LESS THEY MAY BE SPACED AT 24" O.C. MINIMUM
 - 4" Ø MAX OPENING IN WEB OF FLOOR BEAM WITHOUT WEB REINFORCEMENT MINIMUM SPACING OF HOLES @ 48" O.C. HOLES MAY OCCUR @ ANY LOCATION ALONG LENGTH OF FLOOR BEAM WITH DIRECT FOUNDATION SUPPORT BELOW. OPENINGS ARE NOT ALLOWED WHERE BEAMS ARE SPANNING BETWEEN FOUNDATIONS OR ACROSS VENT OPENINGS. NOTE: IF HOLE IS 2" OR LESS THEY MAY BE SPACED AT 24" MINIMUM
 - 12 GA OUTRIGGER CHANNEL AT ENDED OVERHANG REFER TO DETAIL 1/S4A
 - OPENING FOR HVAC UNIT

- FLOOR BEAM SCHEDULE -

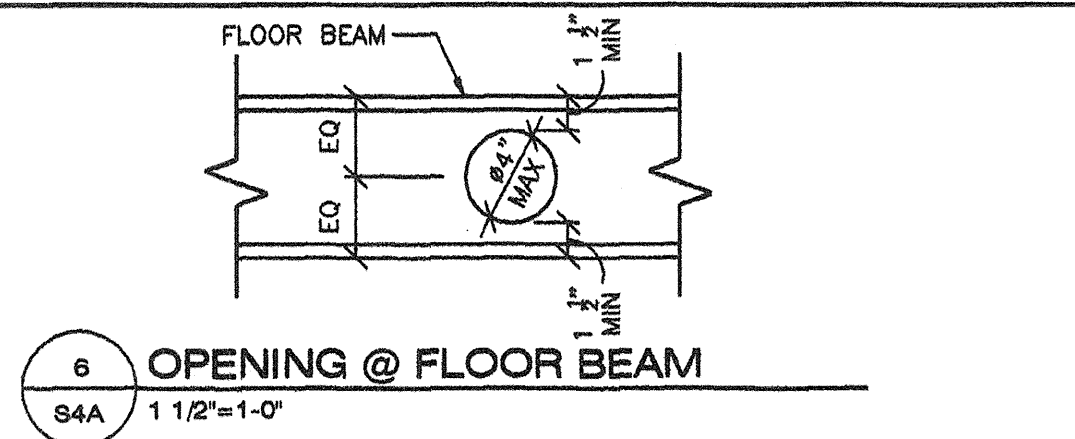
SUBFLOOR TYPE	FLOOR BEAM SIZE	ALTERNATES
VIROC OR PLYWOOD	C7x9.9	C9x13.4, C10x15.3
CONCRETE	C9x13.4	C10x15.3



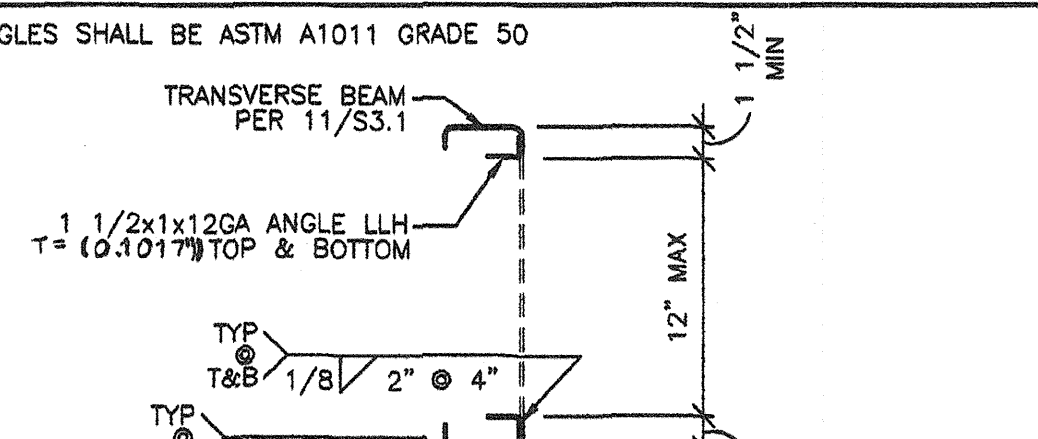
5 OPENING @ ROOF BEAMS
S4A 1 1/2"=1'-0"



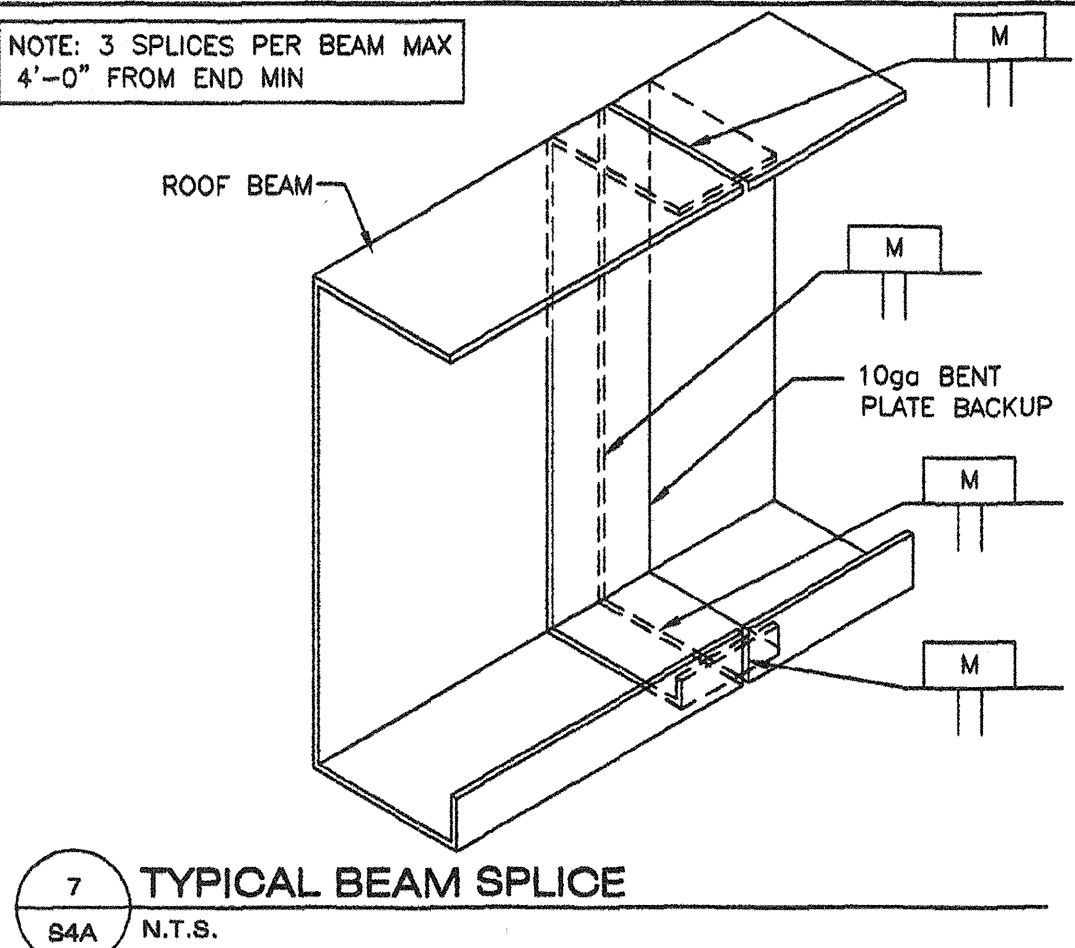
3 OVERHANG CORNER DETAIL
S4A N.T.S.



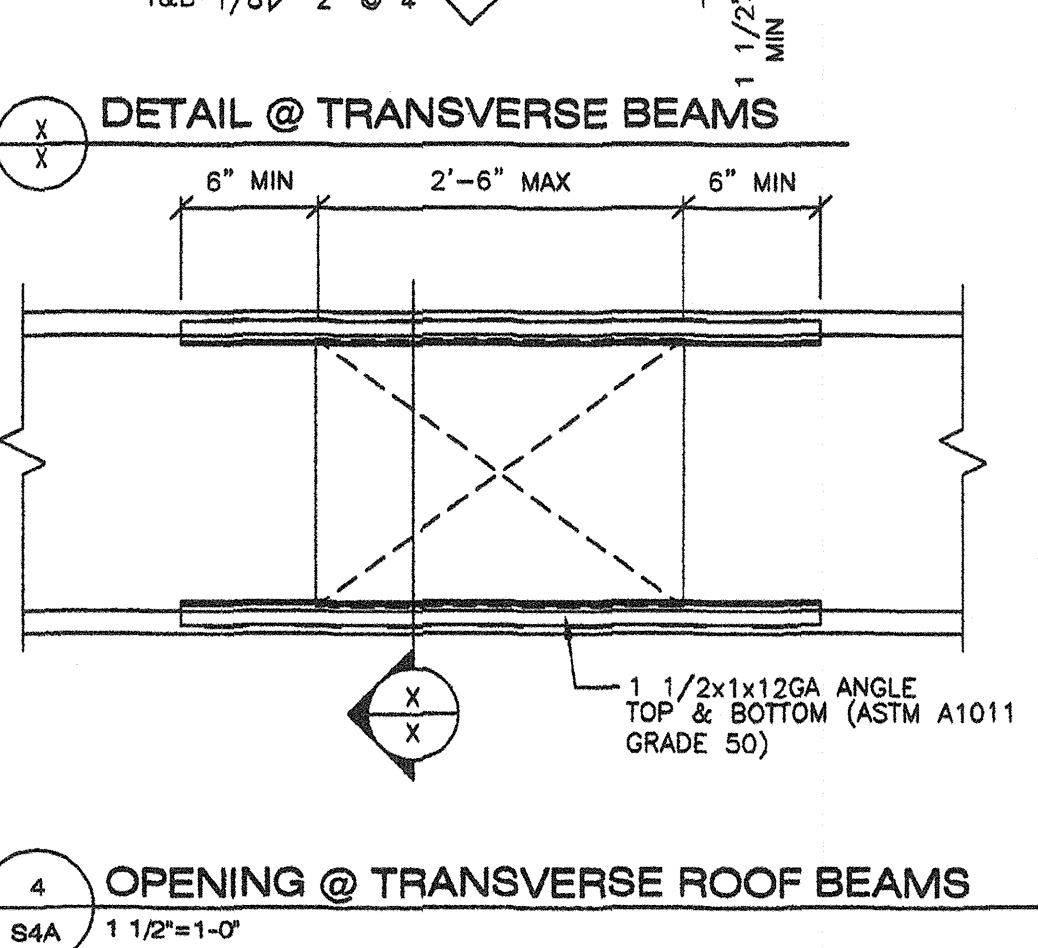
6 OPENING @ FLOOR BEAM
S4A 1 1/2"=1'-0"



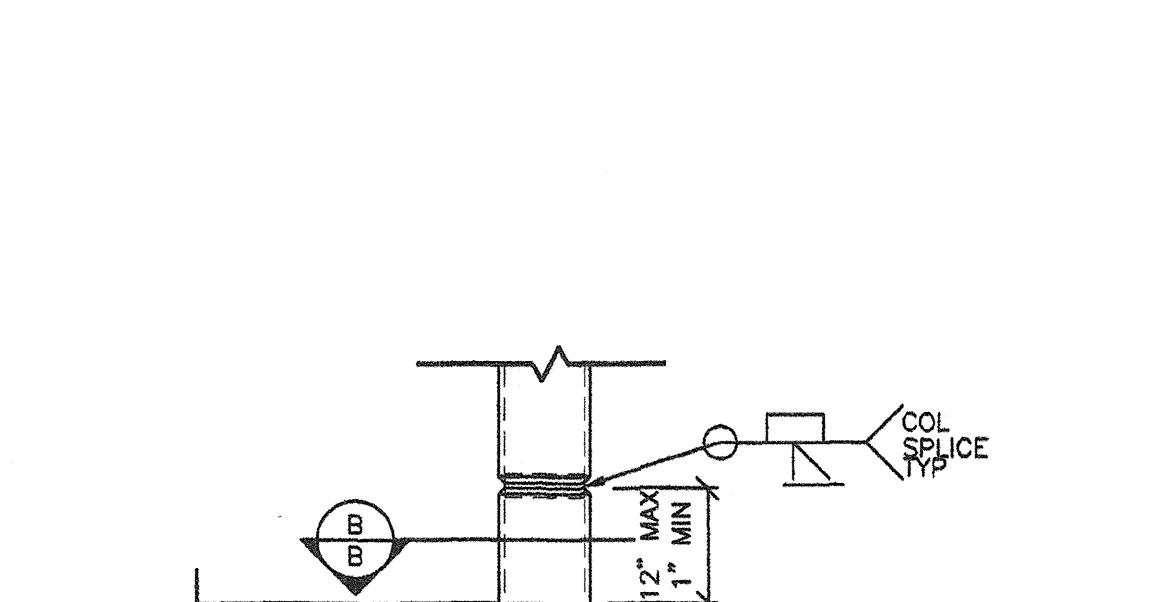
4 OPENING @ TRANSVERSE ROOF BEAMS
S4A 1 1/2"=1'-0"



7 TYPICAL BEAM SPLICE
S4A N.T.S.

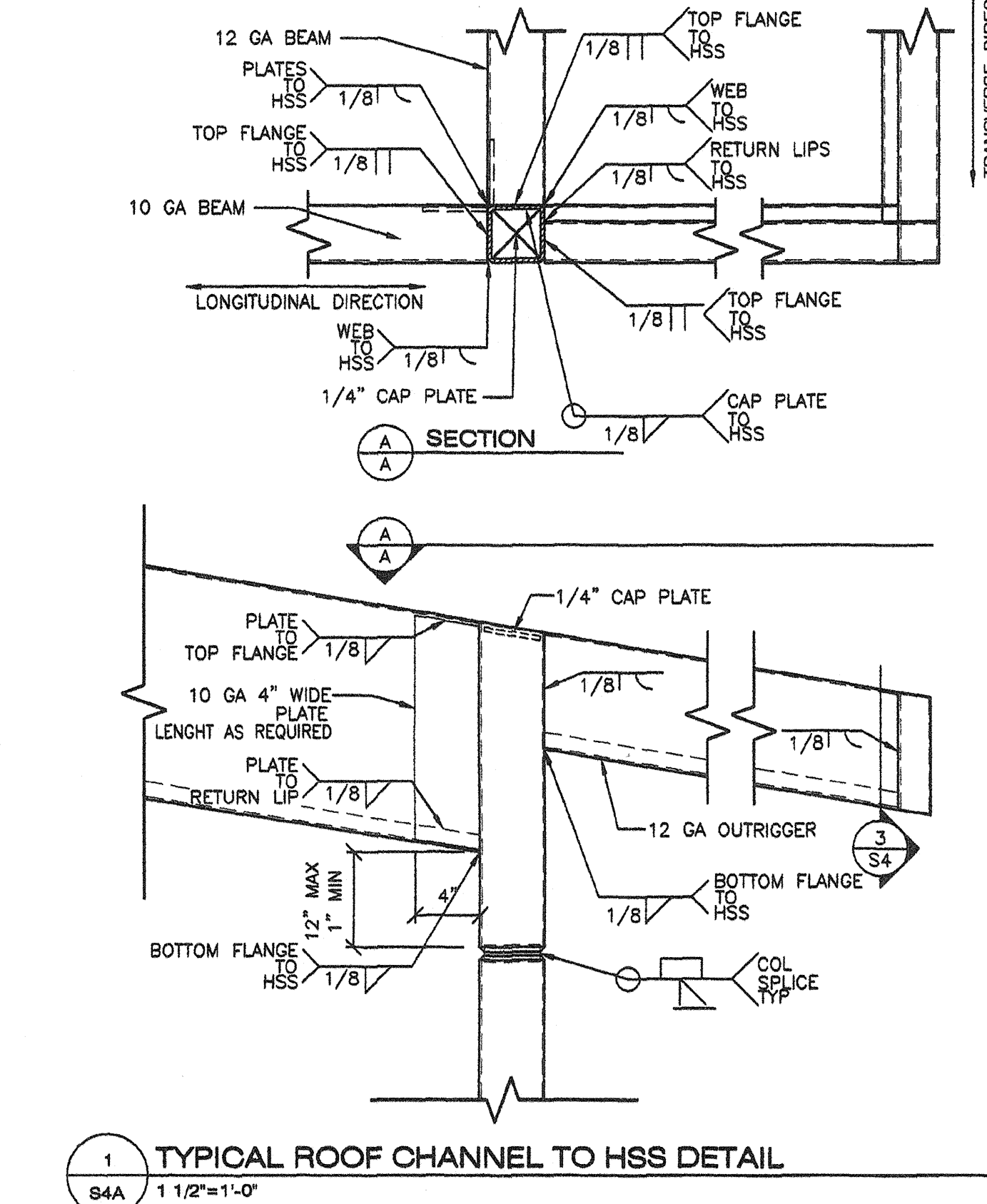


2 TYPICAL CORNER TO BEAM DETAIL
S4A 1 1/2"=1'-0"



1 TYPICAL ROOF CHANNEL TO HSS DETAIL
S4A 1 1/2"=1'-0"

THE WELDING PROCEDURE QUALIFICATION TEST RECORD AND WELDING PROCEDURE SPECIFICATION FOR THIS WELD SHALL BE PREPARED IN ACCORDANCE WITH AWS D.1-06 AND SUBMITTED TO THE STRUCTURAL ENGINEER FOR REVIEW AND SUBMITTAL TO THE D.S.A. TYPICAL DETAILS 1/S4A, 2/S4A AND 7/S4A. ALL WELDS USED IN PRIMARY MEMBERS AND CONNECTIONS IN THE LATERAL FORCE-RESISTING SYSTEMS SHALL BE MADE WITH A FILLER METAL THAT HAS A MINIMUM CHARPY V-NOTCH TOUGHNESS OF 20 FT.-LBS AT ZERO DEGREES F, AS DETERMINED BY AWS CLASSIFICATION.



1 TYPICAL ROOF CHANNEL TO HSS DETAIL
S4A 1 1/2"=1'-0"

REVISIONS

NO.	DATE	DESCRIPTION

DATE: 02/04/08
SCALE: NOTED
DRAWN BY: RL
SERIAL NO.:

CUSTOMER:
2:12 PITCHED ROOF 24' x 40' THRU 120' x 40' RELOCATABLE BUILDINGS
TYPICAL FRAME ELEVATIONS

AMS
American Modular Systems Inc.
787 Saratov Ave. Manteca, CA 95336
(209)825-1921 Fax (209)825-7018
americanmodular.com

APPROVALS:
THESE DRAWINGS ARE PRELIMINARY AND NOT FOR CONSTRUCTION UNLESS STAMPED & SIGNED BY THE ENGINEER OF RECORD.

IDENTIFICATION STAMP
NO. C12831
REV. 3/2007
DATE 9-2-2010

IDENTIFICATION STAMP
PC 02-106685
DATE 3/3/2009

PROJECT No.
PC
S4-C

THESE DRAWINGS AND SPECIFICATIONS ARE THE PROPERTY OF AMERICAN MODULAR SYSTEMS AND ARE NOT TO BE REPRODUCED, CHANGED OR COPIED IN ANY FORM OR MANNER, NOR ARE THEY TO BE ASSIGNED TO ANY THIRD PARTY WITHOUT THE WRITTEN AUTHORIZATION OF AMERICAN MODULAR SYSTEMS.