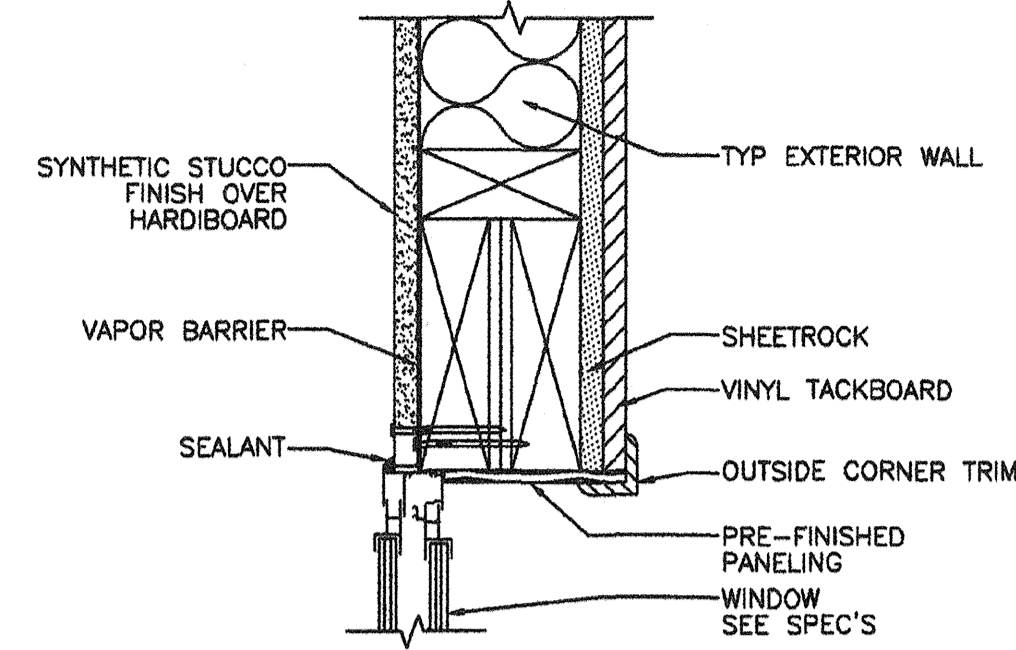
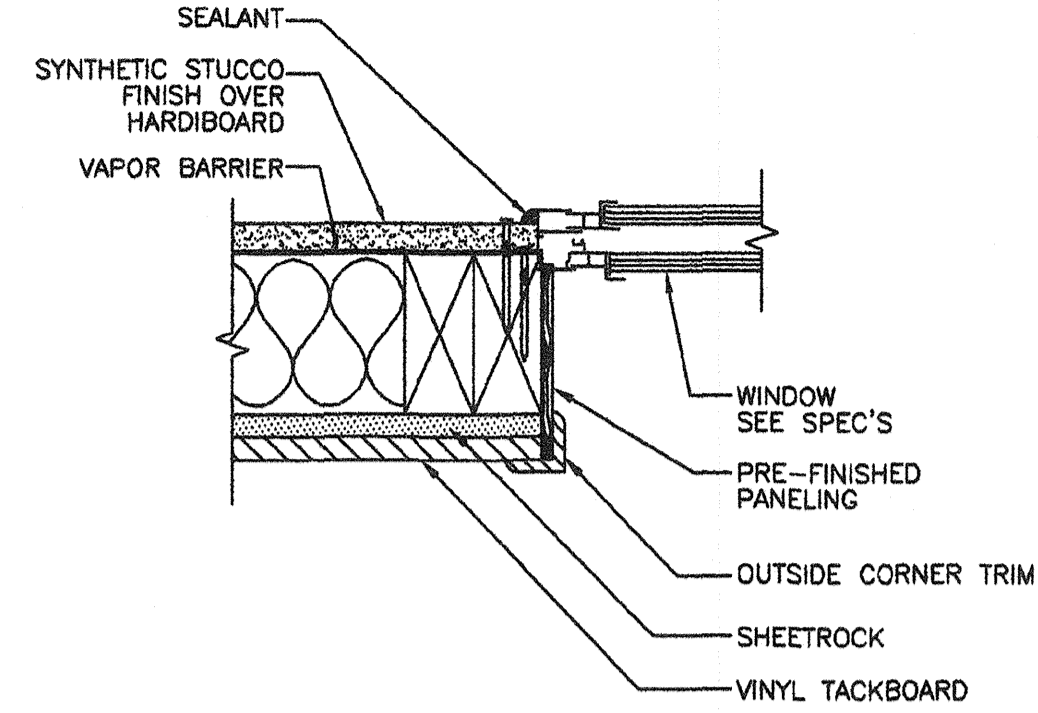


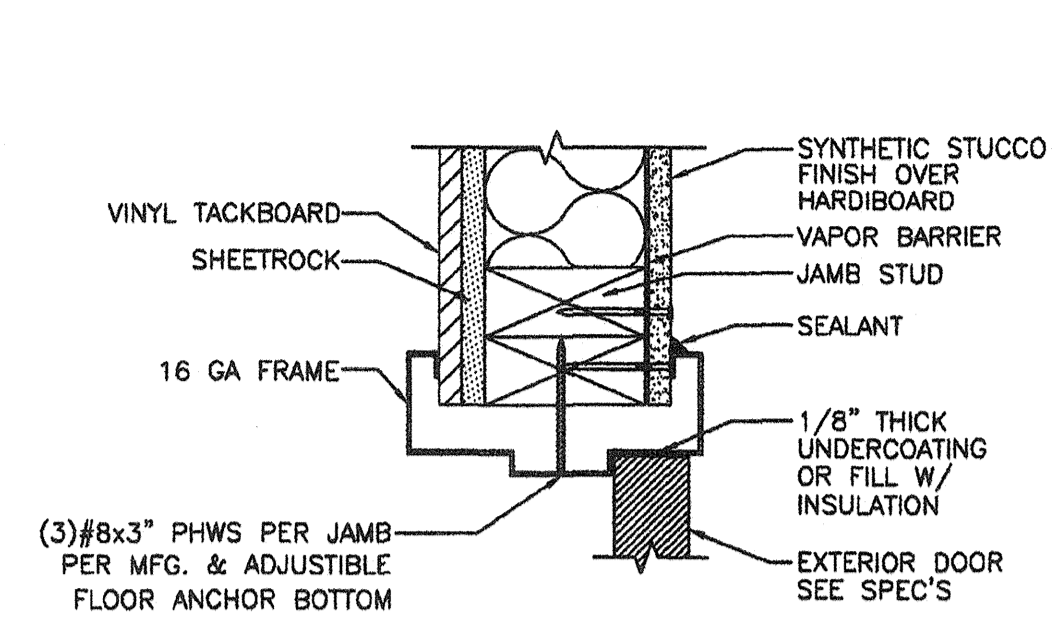
1 TYP WINDOW SILL DETAIL  
A5A 3'-1'-0"



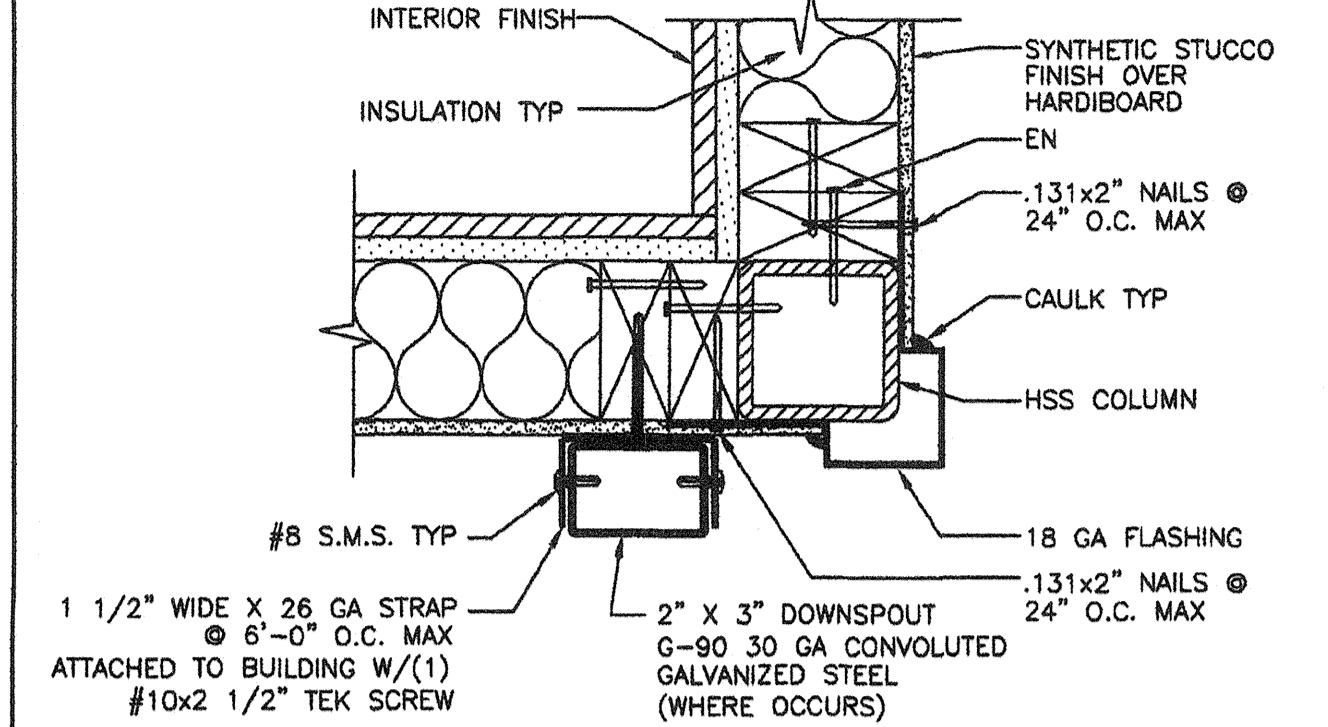
2 TYP WINDOW HEADER DETAIL  
A5A 3'-1'-0"



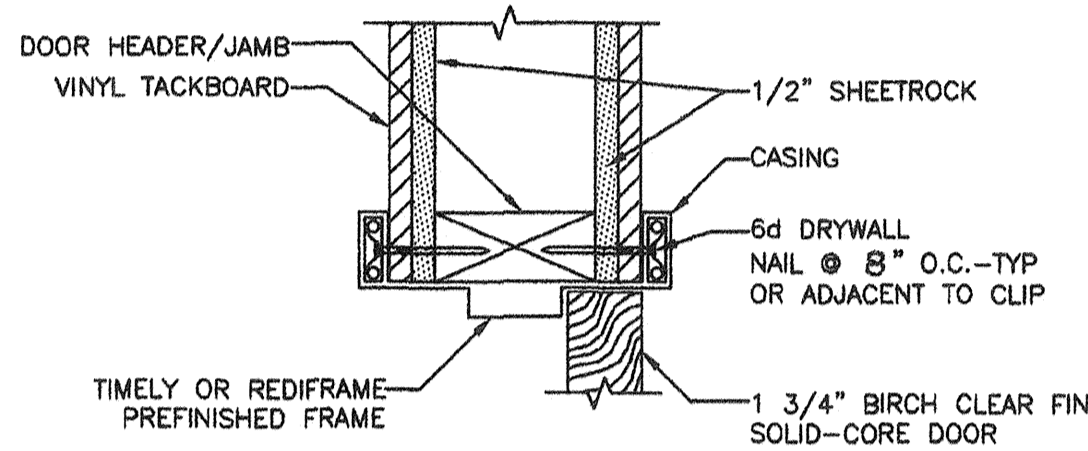
3 TYP WINDOW JAMB DETAIL  
A5A 3'-1'-0"



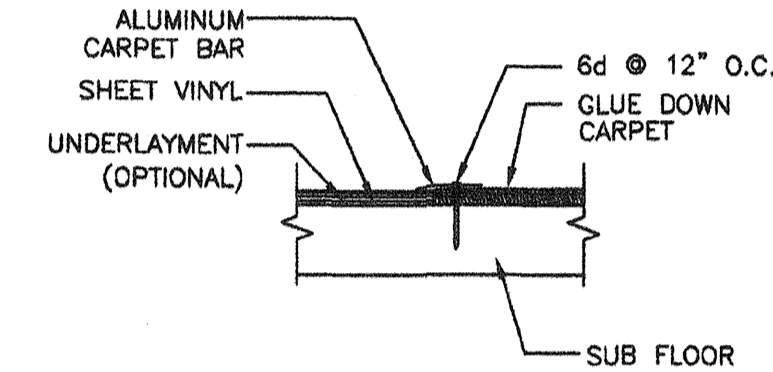
4 TYP DOOR JAMB DETAIL  
A5A 3'-1'-0"



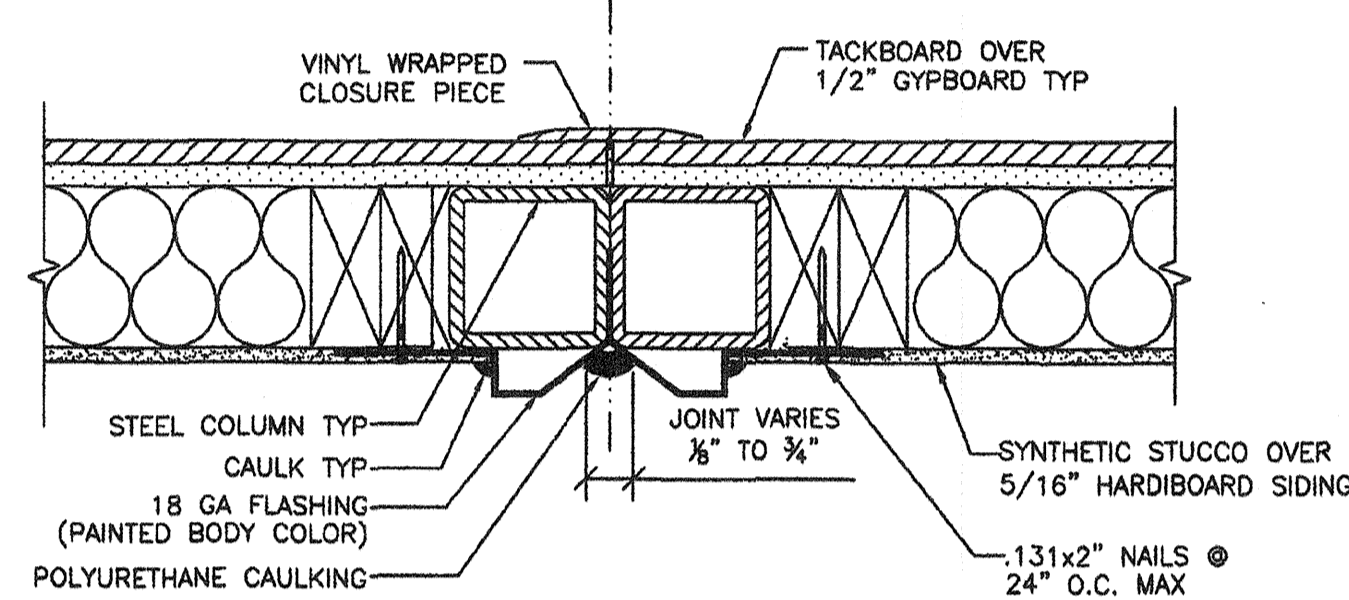
5 DOWNSPOUT ATTACHMENT DETAIL  
A5A 3'-1'-0"



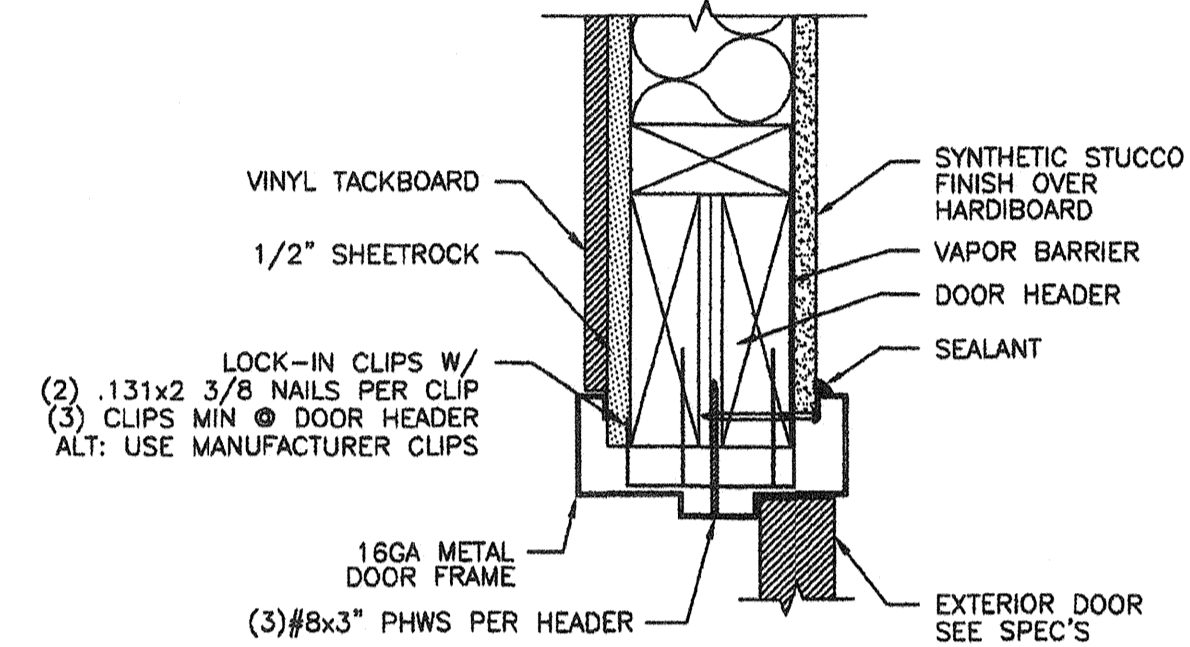
6 TYP INTERIOR DOOR HEADER DETAIL  
A5A 3'-1'-0"



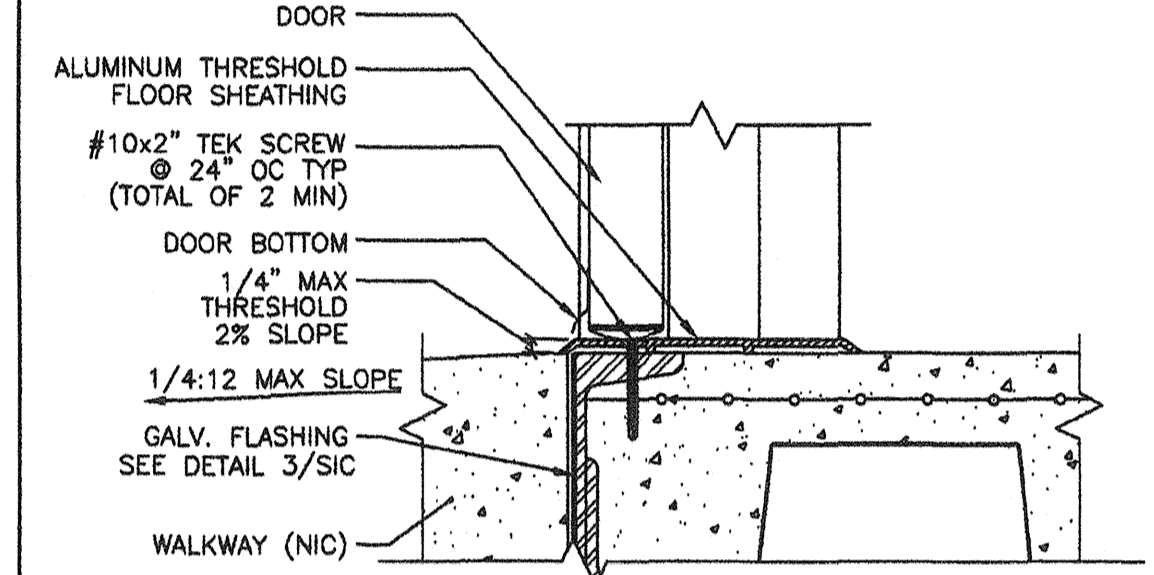
7 FLOORING DETAIL  
A5A 3'-1'-0"



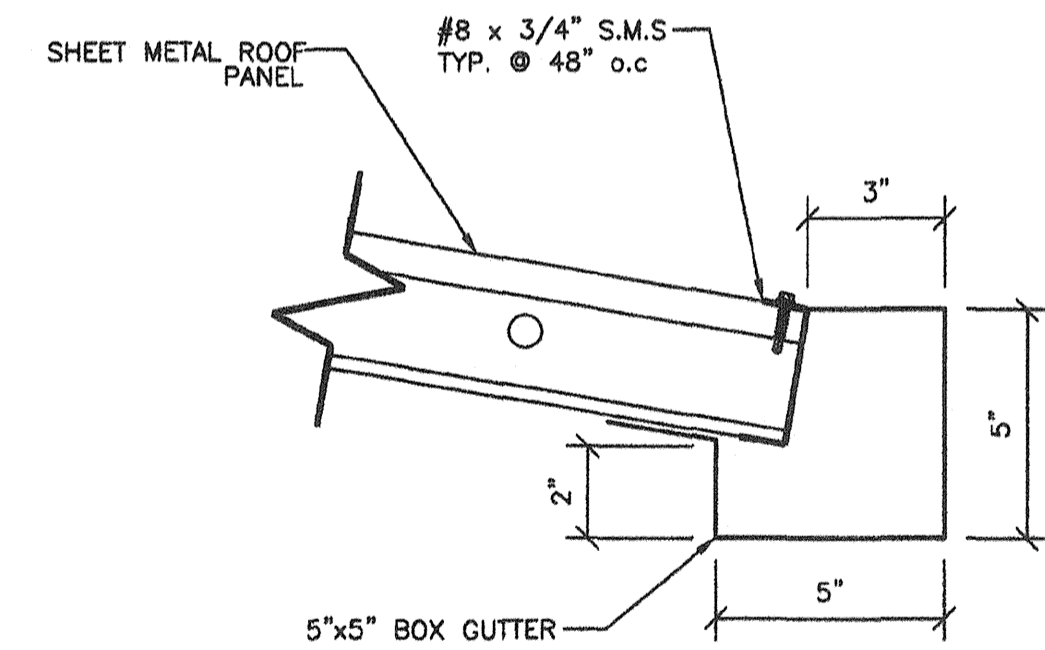
8 TYP MODLINE CLOSURE DETAIL  
A5A 3'-1'-0"



9 TYP DOOR HEADER DETAIL  
A5A 3'-1'-0"



10 THRESHOLD DETAIL  
A5A 1 1/2'-1'-0"



11 TYP GUTTER ATTACHMENT DETAIL  
A5A 3'-1'-0"

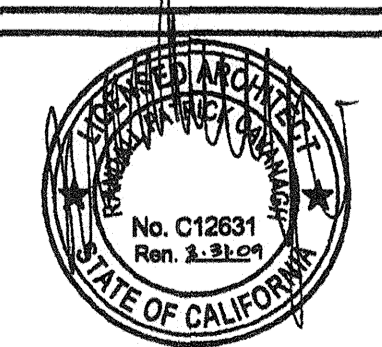
REVISIONS		
NO	DATE	DESCRIPTION

DATE: 2/6/08  
SCALE: NOTED  
DRAWN BY: DM  
SERIAL NO.:

CUSTOMER:  
2:12 PITCHED ROOF 24' x 40' THRU 120' x 40' RELOCATABLE CLASSROOMS  
ARCHITECTURAL DETAILS (SYNTHETIC STUCCO OPTION)

**AMS**  
American Modular Systems Inc.  
787 Spreckels Ave. Manteca, CA 95336  
(209)925-1921 Fax (209)925-7018  
americanmodular.com

APPROVALS:



IDENTIFICATION STAMP  
DIV. OF THE STATE ARCHITECT  
OFFICE OF REGULATION SERVICES  
03 113549  
AC: [Signature]  
DATE: 9-2-2010

IDENTIFICATION STAMP  
DIV. OF THE STATE ARCHITECT  
OFFICE OF REGULATION SERVICES  
PC 02-109695  
AC: [Signature]  
DATE: 3/27/09

PROJECT No.  
**A5A**

THESE DRAWINGS AND SPECIFICATIONS ARE THE PROPERTY OF AMERICAN MODULAR SYSTEMS, INC. AND ARE NOT TO BE REPRODUCED, CHANGED OR COPIED IN ANY FORM OR MANNER, NOR ARE THEY TO BE ASSIGNED TO ANY THIRD PARTY WITHOUT THE WRITTEN AUTHORIZATION OF AMERICAN MODULAR SYSTEMS, INC.