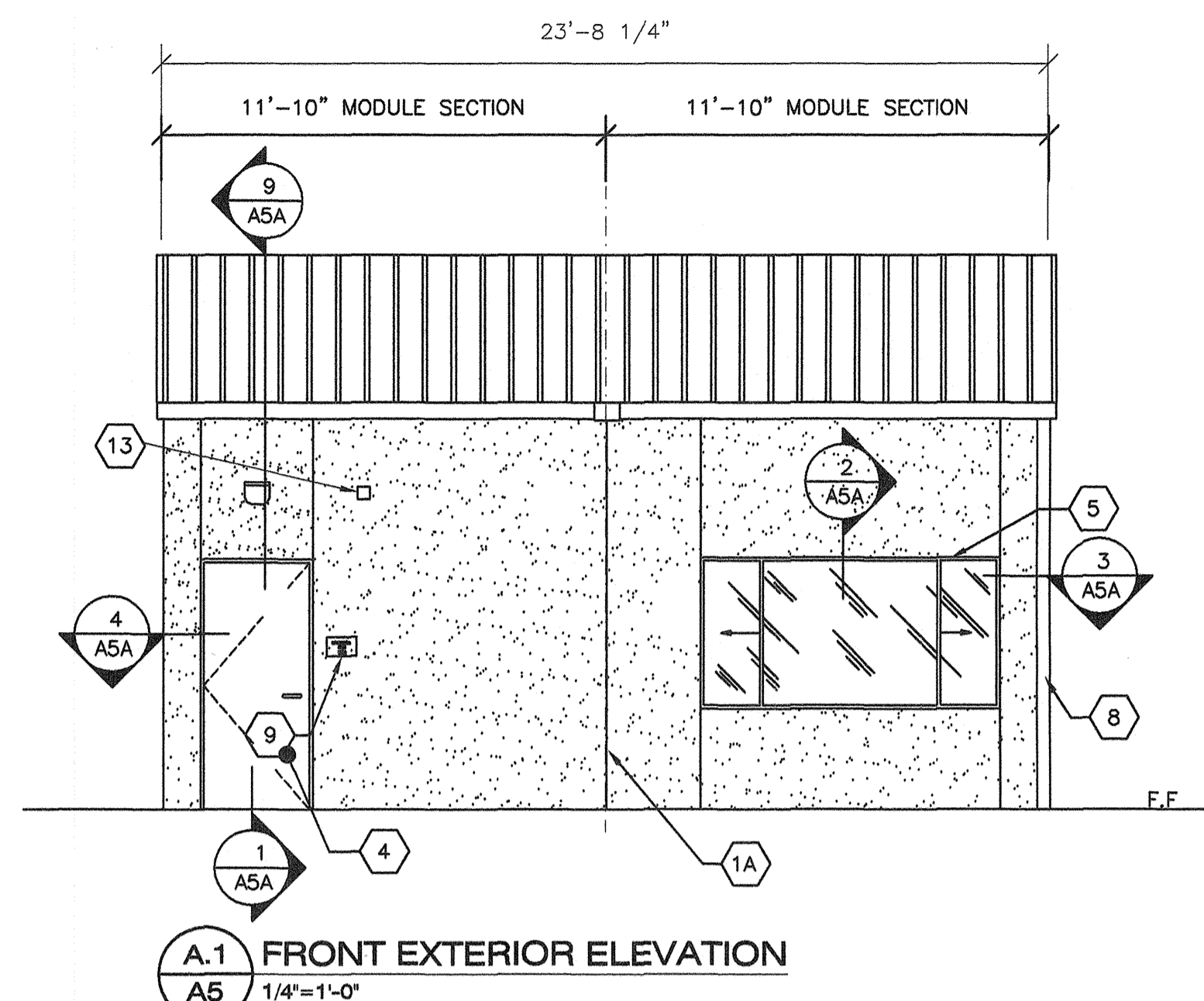
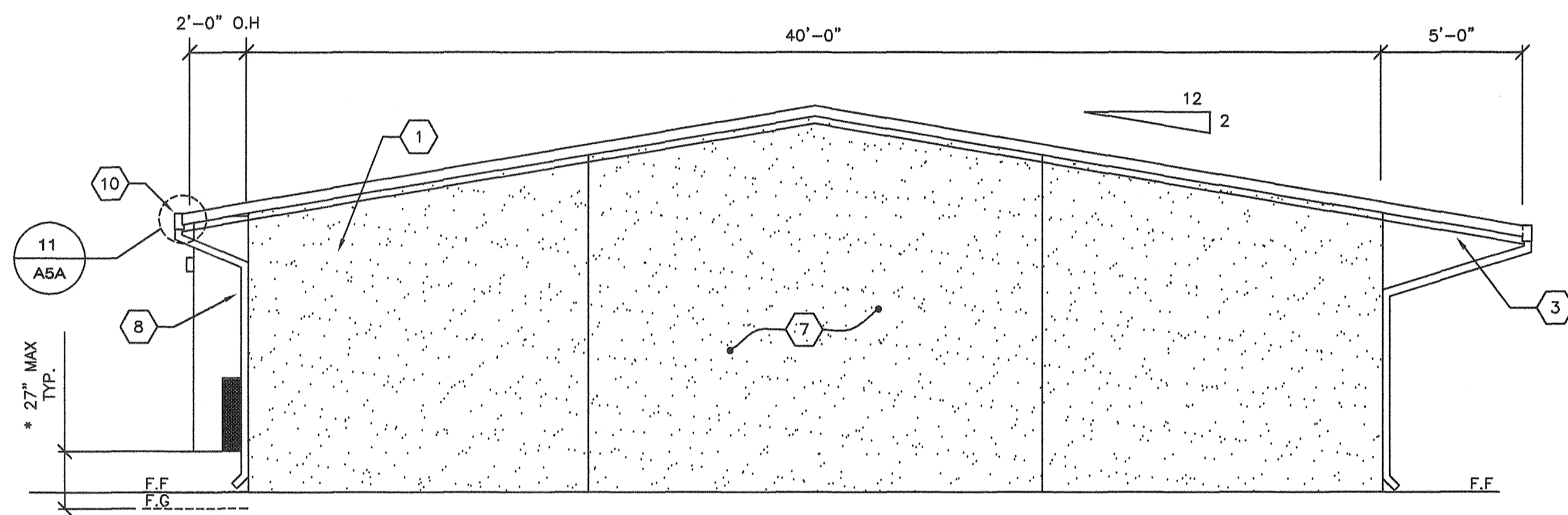


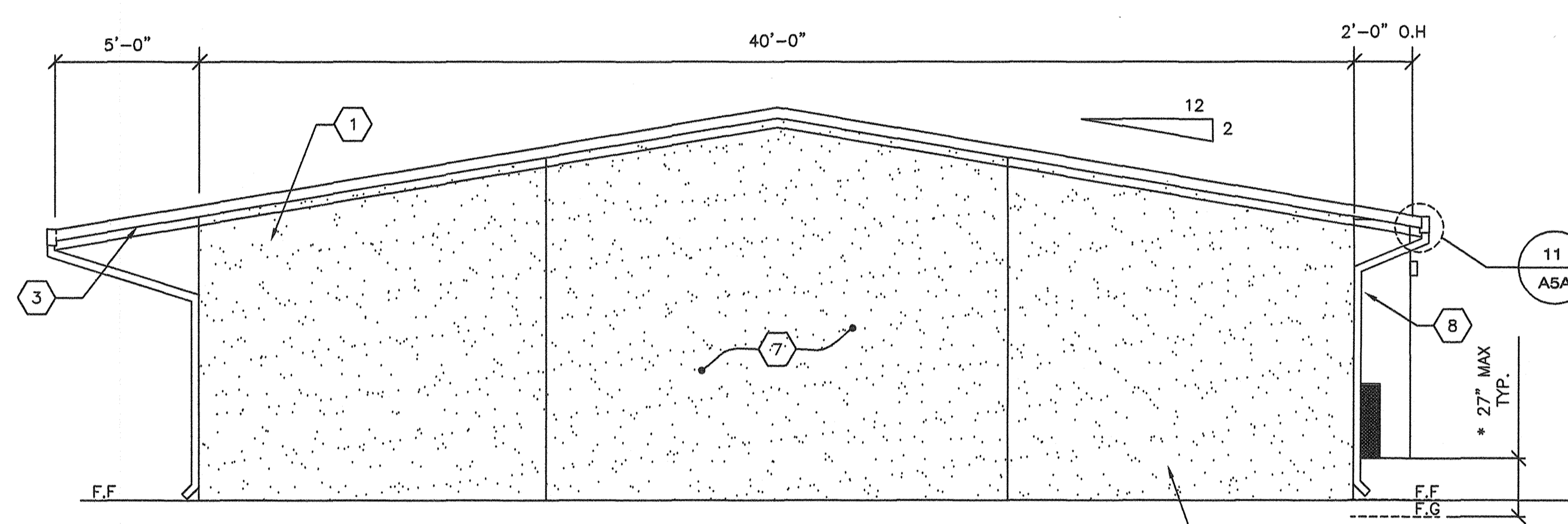
**A FRONT EXTERIOR ELEVATION**  
A5 1/4"=1'-0"



**A.1 FRONT EXTERIOR ELEVATION**  
A5 1/4"=1'-0"

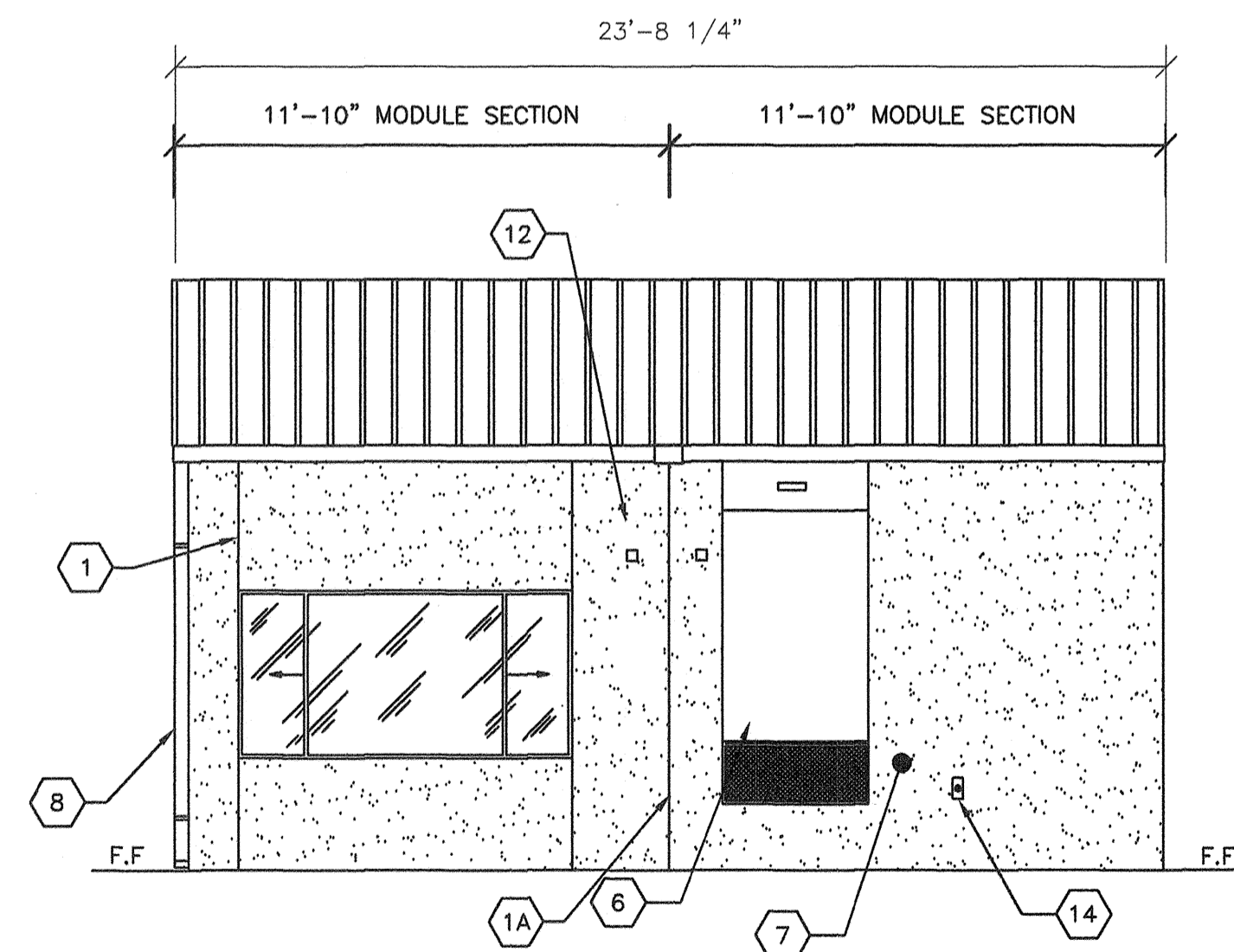


**C SIDE EXTERIOR ELEVATION**  
A5 1/4"=1'-0"

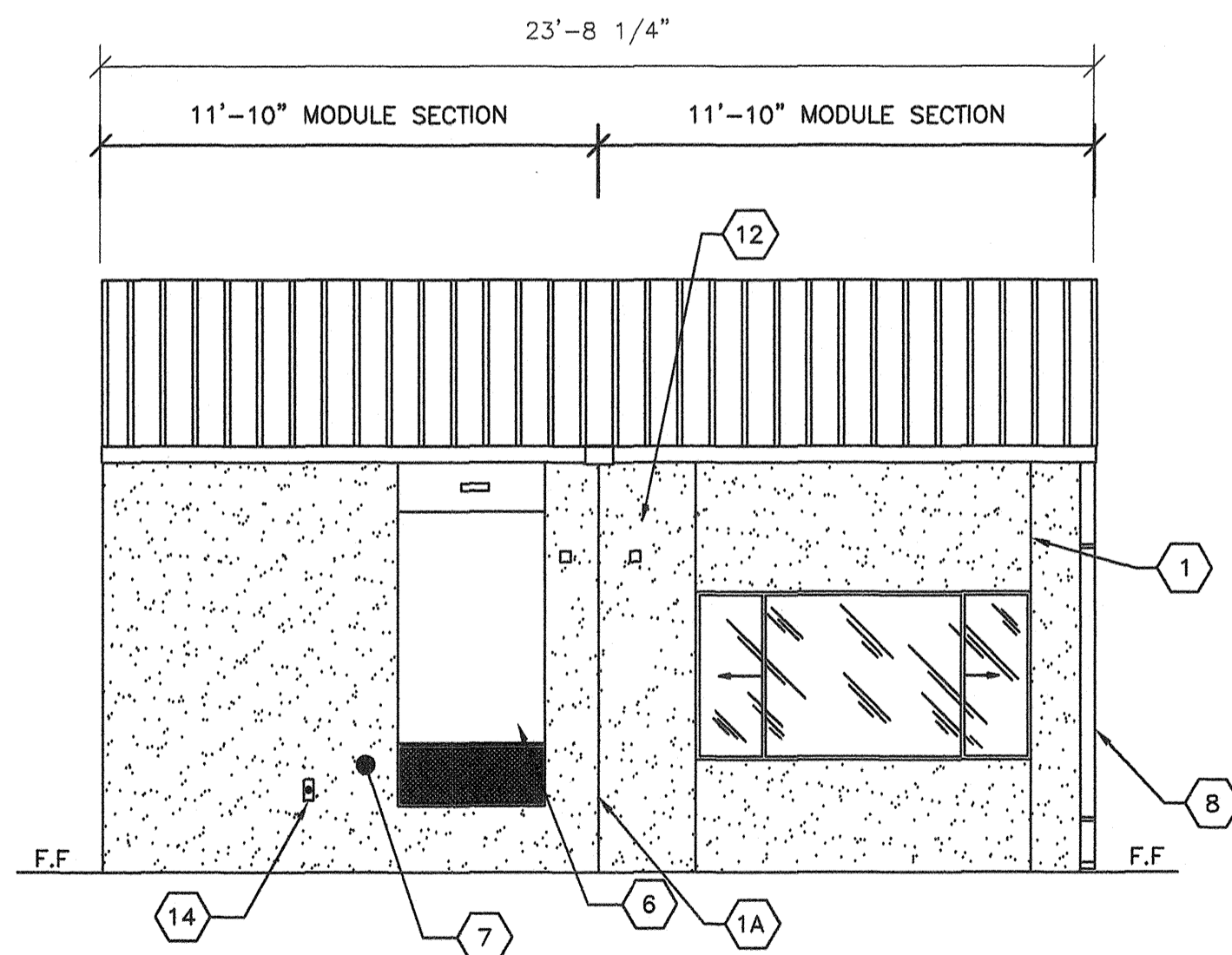


**D SIDE EXTERIOR ELEVATION**  
A5 1/4"=1'-0"

\* IF EXCEEDS 27" PROTECTIVE GUARDS SHALL BE INSTALLED (BY OWNER)



**B REAR EXTERIOR ELEVATION**  
A5 1/4"=1'-0"



**B.1 REAR EXTERIOR ELEVATION**  
A5 1/4"=1'-0"

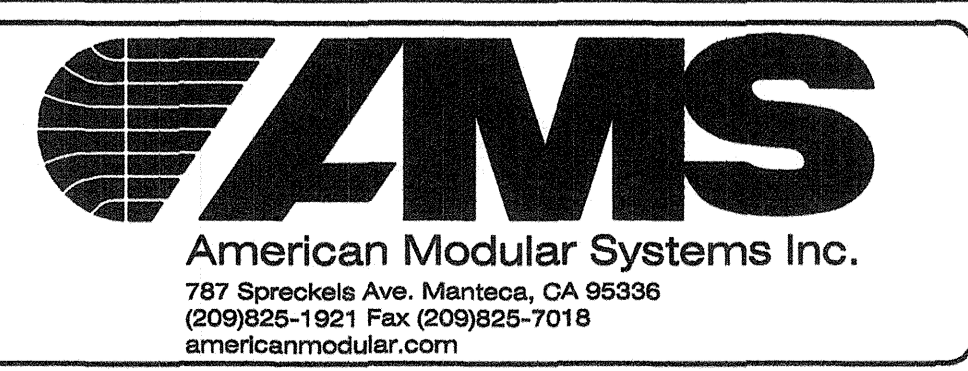
- SHEET NOTES -**
- 1 CONTROL JOINT (LOCATIONS MAY VARY)
  - 1A 16 GA. FLASHING TRIM @ MODLINES TYP.
  - 2 STANDING SEAM METAL ROOFING
  - 3 OVERHANG
  - 4 TYPICAL EXTERIOR DOOR
  - 5 WINDOW SEE SPEC'S
  - 6 HVAC UNIT TYP.
  - 7 ACRYLIC TEXTURED FINISH OVER HARDI-BOARD
  - 8 DOWNSPOUT (QUANTITY & LOCATION MAY VARY)
  - 9 ROOM ID AND ISA SIGNAGE (BY OWNER) TYP REFER TO DETAILS 5/AD AND 9/AD
  - 10 GUTTER
  - 11 EXTERIOR LIGHT FIXTURE TYP
  - 12 MODULAR IDENTIFICATION TAG, +90" ABOVE F.F.
  - 13 FIRE ALARM HORN (REFER TO E1)
  - 14 WP/G.F.C.I. TYP. @ HVAC UNITS SEE ELECTRICAL SHEETS.
- R FOR RAMP DETAILS REFER TO SHEET S6R

REVISIONS		
NO	DATE	DESCRIPTION

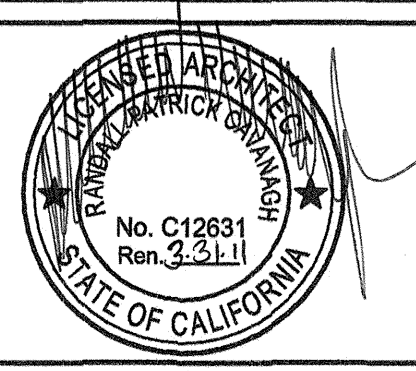
DATE: 08/12/10  
SCALE: NOTED  
DRAWN BY: RS  
SERIAL NO.:

CUSTOMER:  
BAKERSFIELD SCHOOL DISTRICT  
PIONEER DRIVE ELEMENTARY SCHOOL

2:12 PITCHED ROOF 24' x 40' RELOCATABLE BUILDINGS  
TYPICAL EXTERIOR ELEVATIONS (SYNTHETIC STUCCO)



APPROVALS:



IDENTIFICATION STAMP  
DIV. OF THE STATE ARCHITECT  
OFFICE OF REGULATION SERVICES  
No. C12631  
Ren. 3.31.11  
DATE: 9-2-2010

IDENTIFICATION STAMP  
DIV. OF THE STATE ARCHITECT  
OFFICE OF REGULATION SERVICES  
AC: FLS: SS  
DATE:

PROJECT NO.  
**A5-C**

BASED PC 02-109695

THESE DRAWINGS AND SPECIFICATIONS ARE THE PROPERTY OF AMERICAN MODULAR SYSTEMS AND ARE NOT TO BE REPRODUCED, CHANGED OR COPIED IN ANY FORM OR MANNER, NOR ARE THEY TO BE ASSIGNED TO ANY THIRD PARTY WITHOUT THE WRITTEN AUTHORIZATION OF AMERICAN MODULAR SYSTEMS.