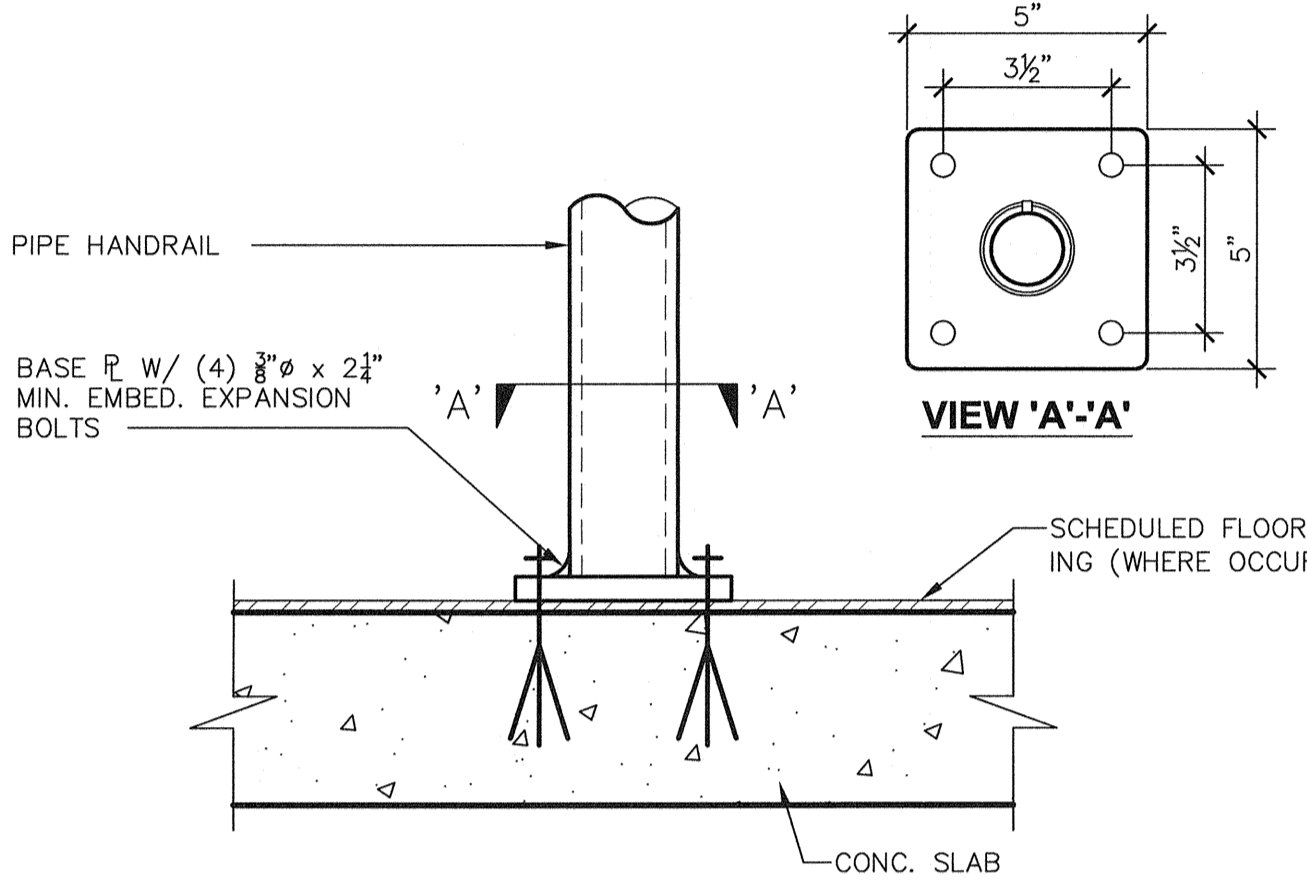
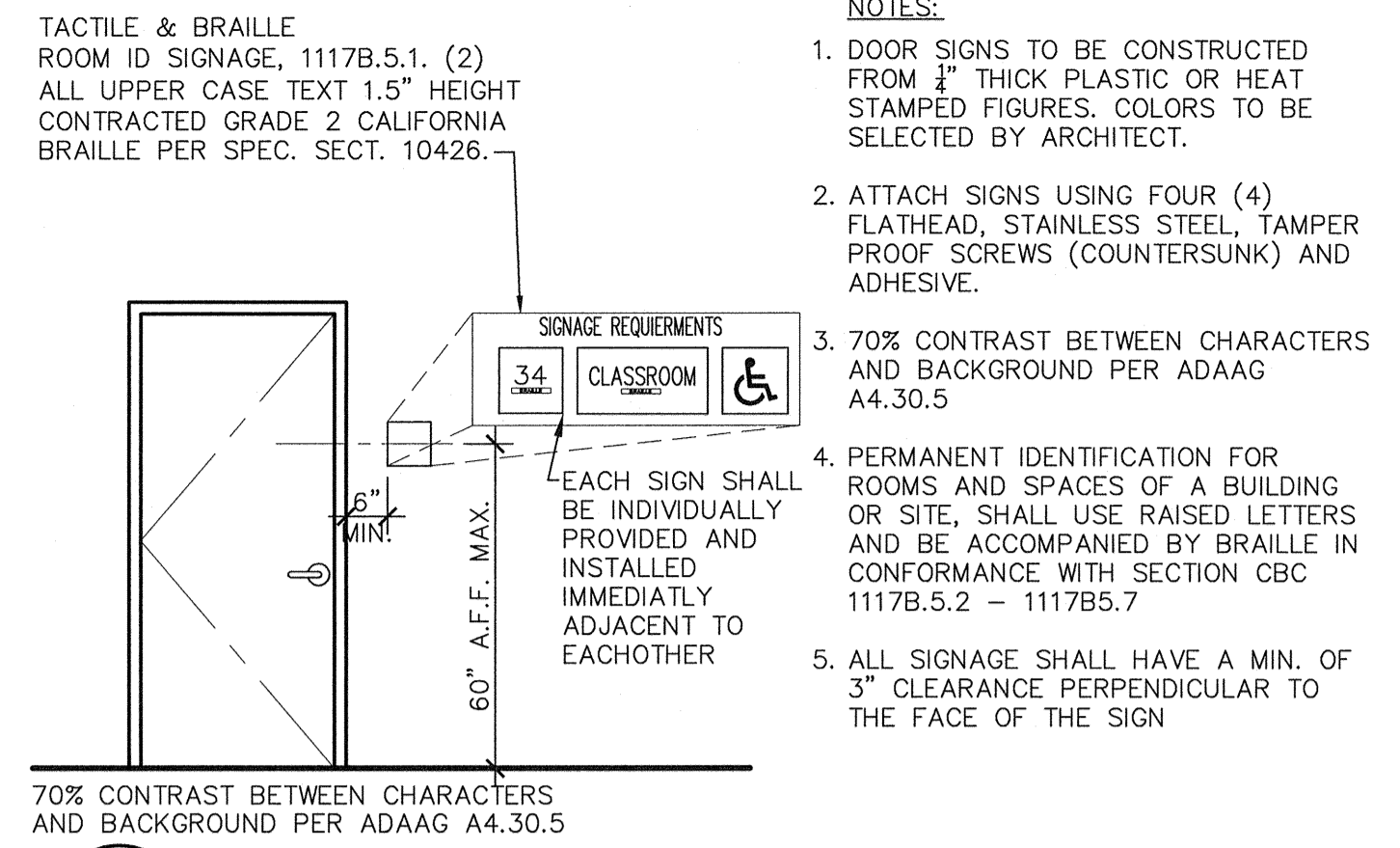


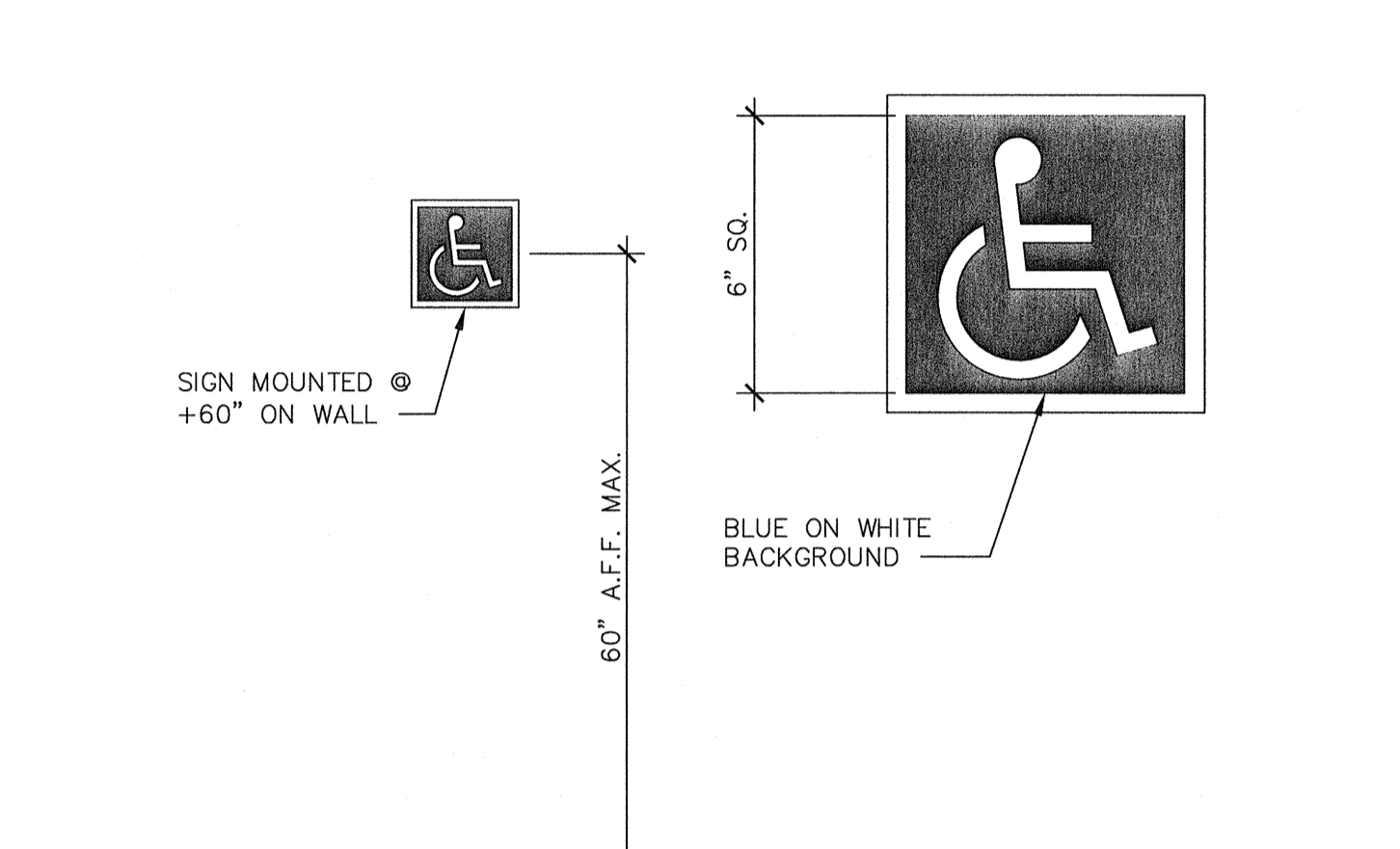
13 HANDRAIL @ EXISTING RAMP  
A1.06 ADE200-01 SCALE: 3/4" = 1'-0"



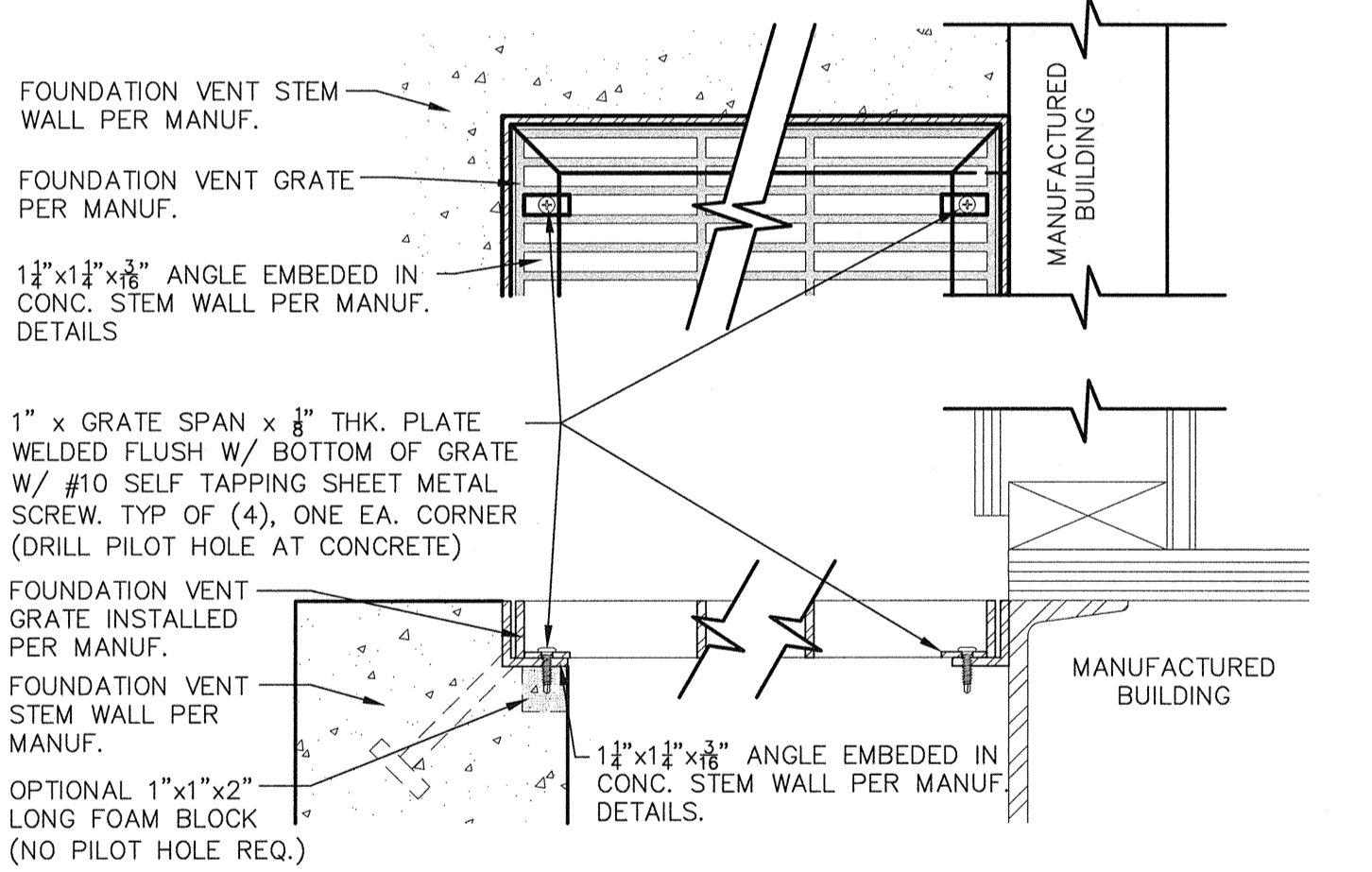
14 HANDRAIL ATTACHMENT  
A1.06 ADE200-02 SCALE: 3" = 1'-0"



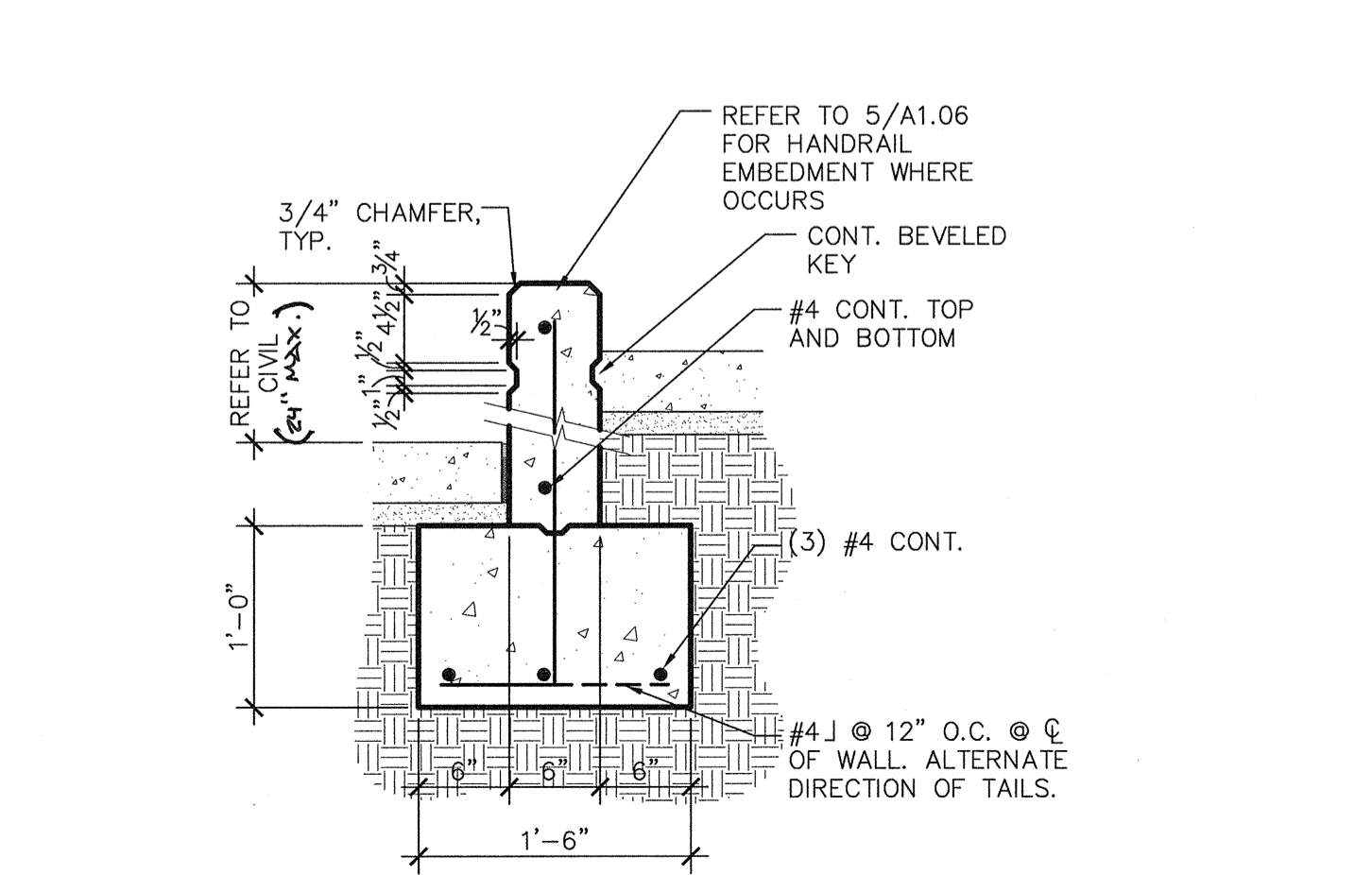
9 ROOM ID SIGNAGE  
A1.06 BCSD SCALE: N.T.S.



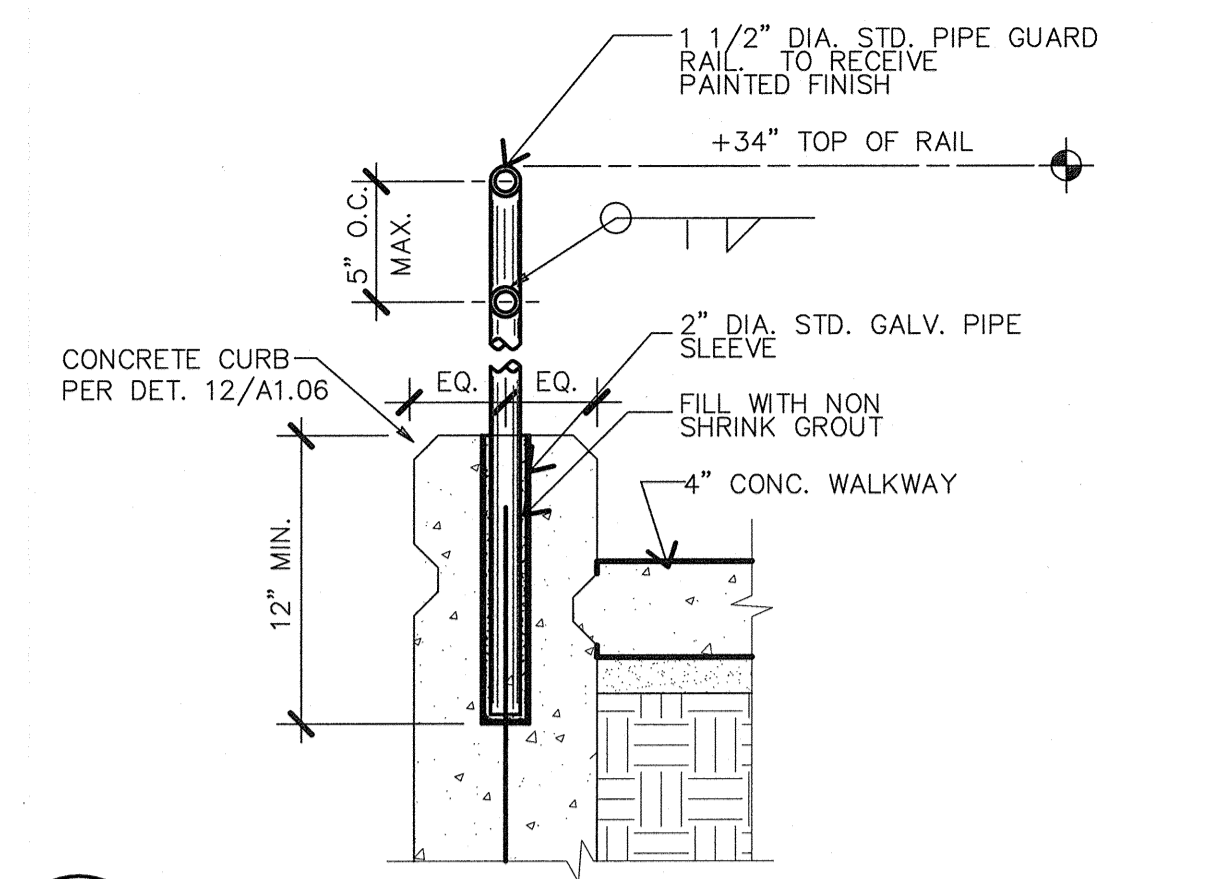
10 ACCESSIBLE ENTRANCE SIGN  
A1.06 ADA100-16 SCALE: 3" = 1'-0"



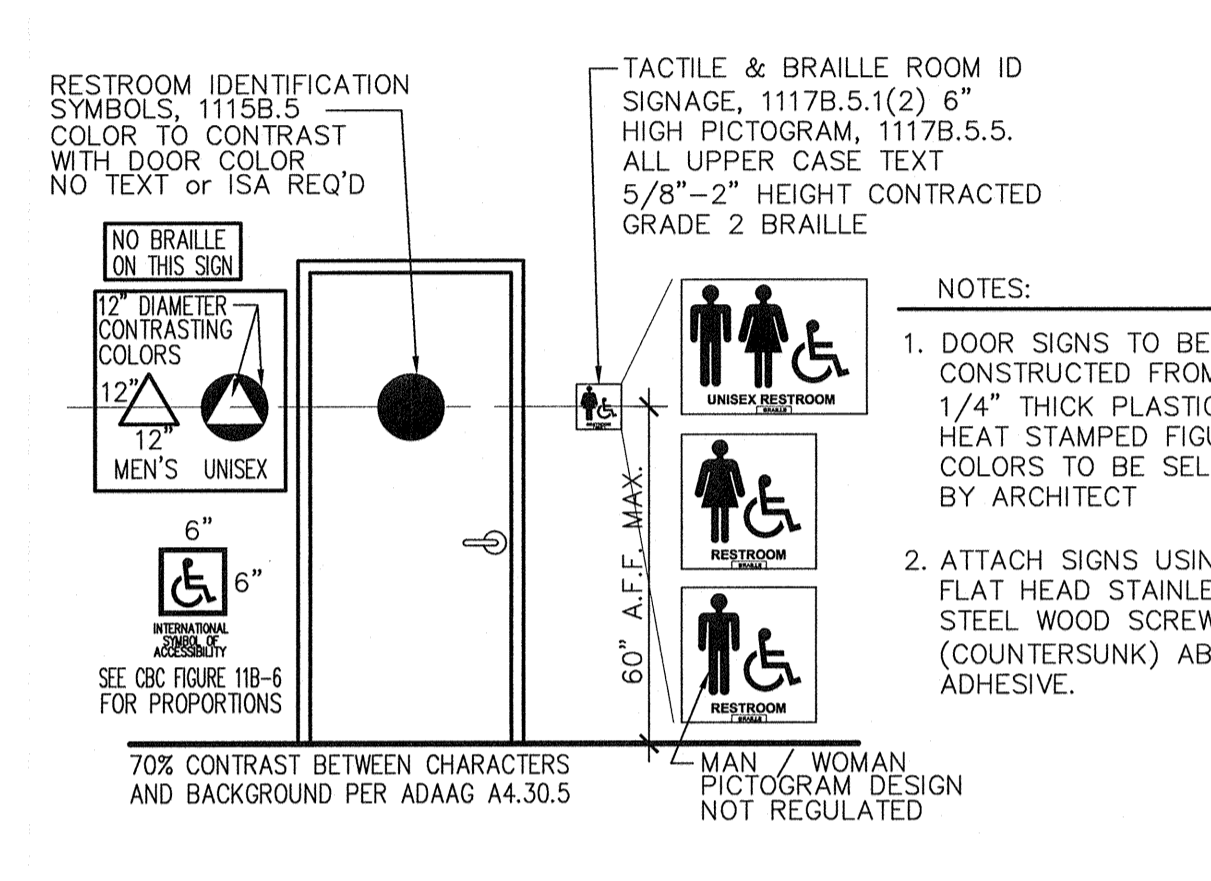
11 VENT GRATE ANCHORAGE  
A1.06 BCSD STANDARD SCALE: 3" = 1'-0"



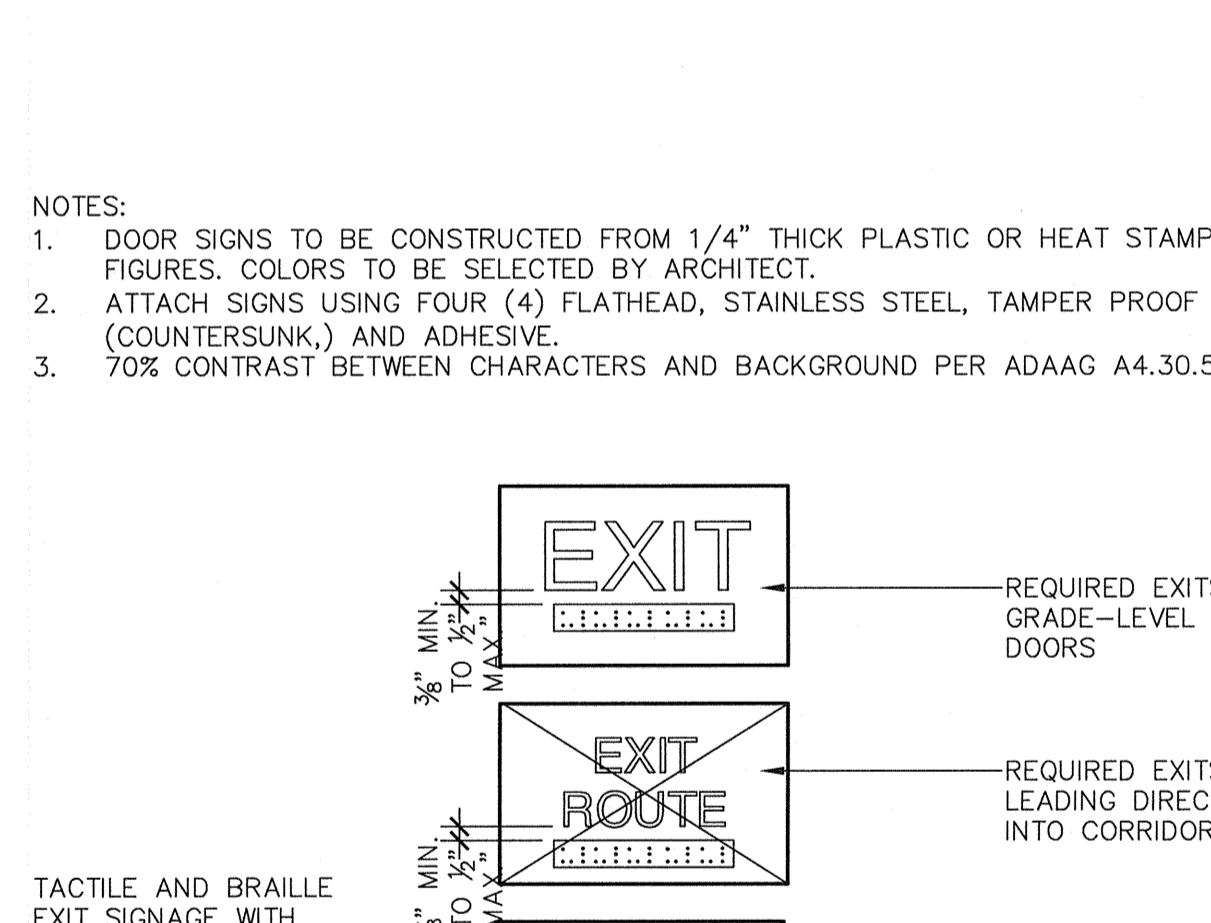
12 RETAINING WALL  
A1.06 SCALE: 1" = 1'-0"



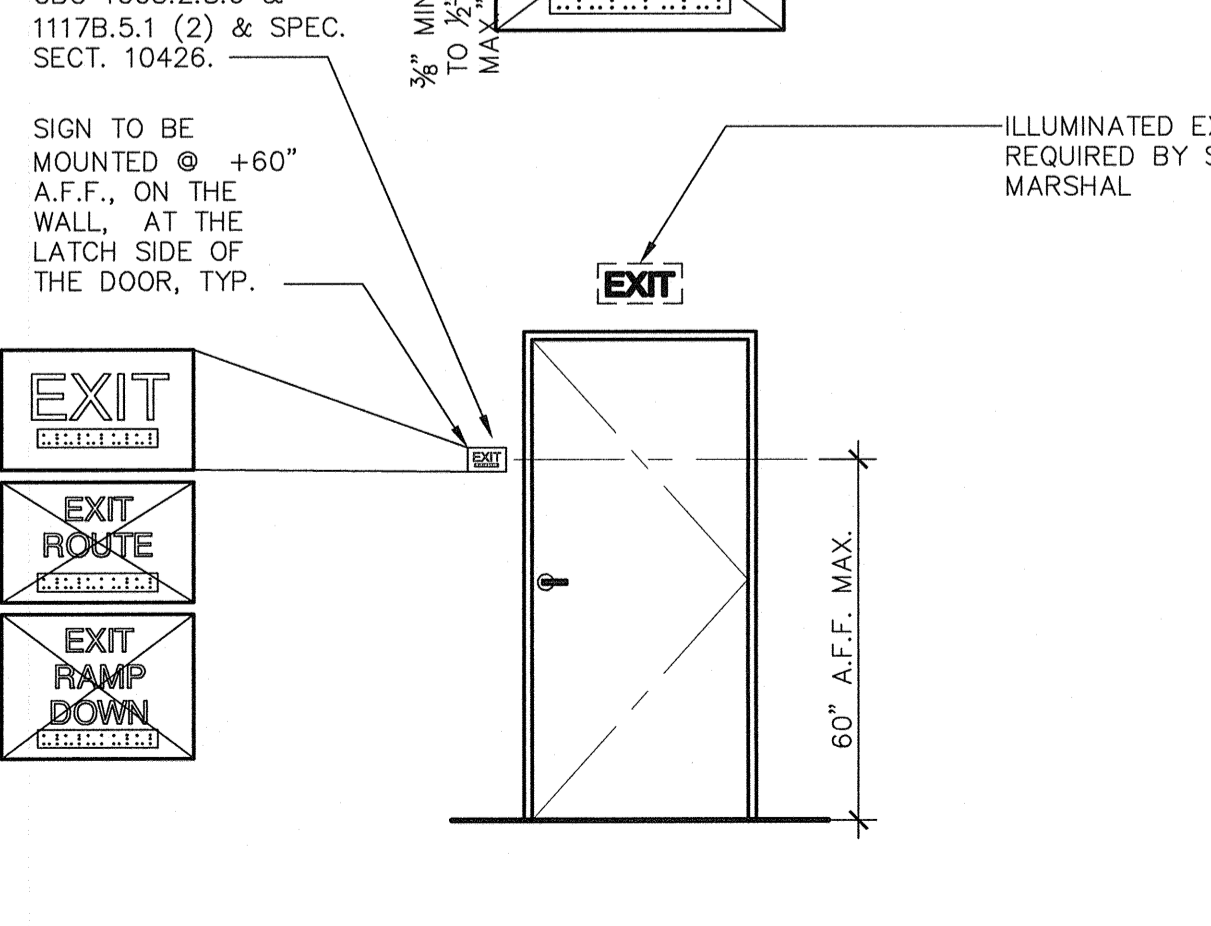
5 HAND RAIL EMBEDMENT  
A1.06 SCALE: 1 1/2" = 1'-0"



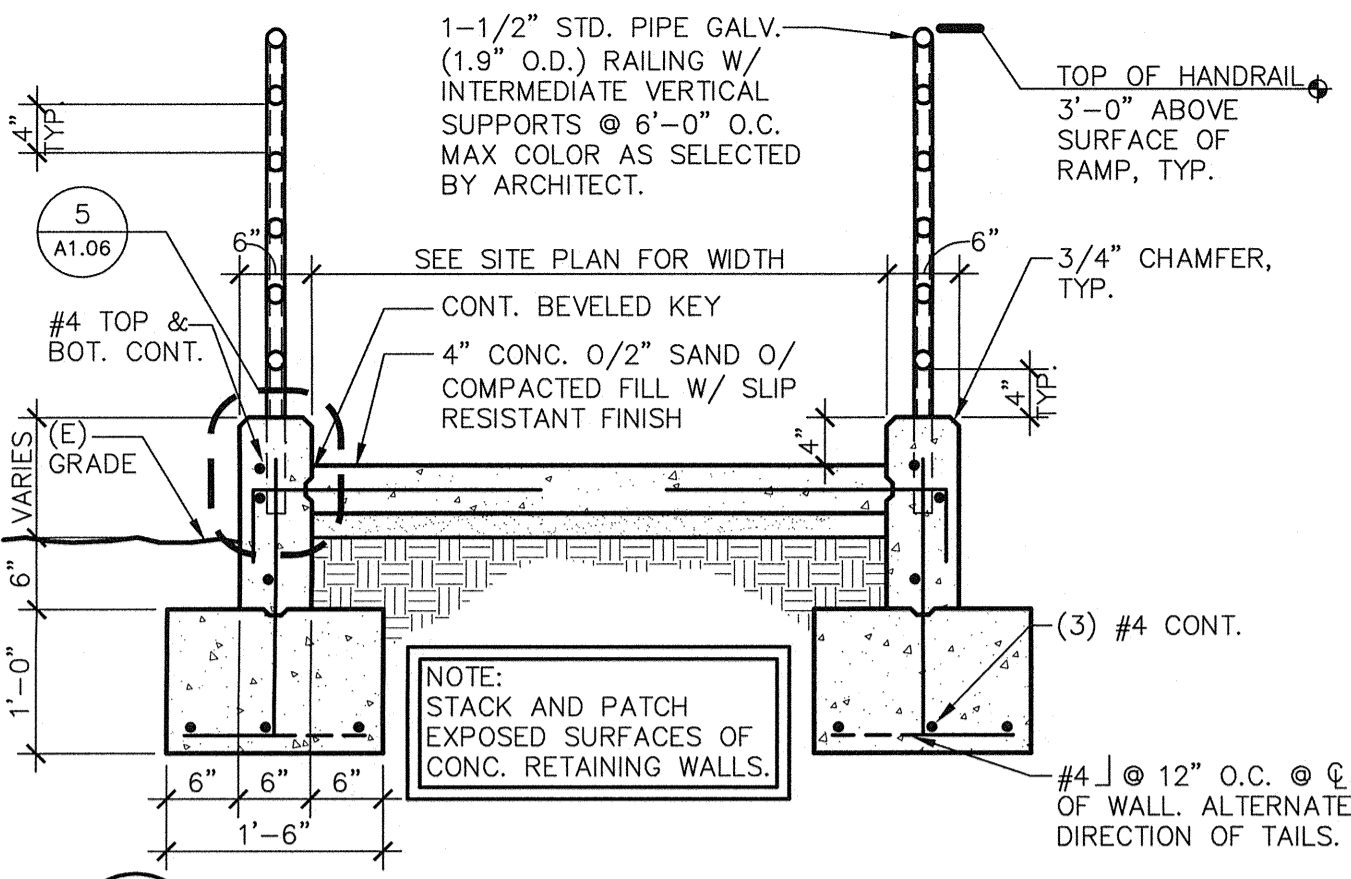
6 RESTROOM SIGNAGE  
A1.06 ADA200-03 SCALE: 1' = 1'-0"



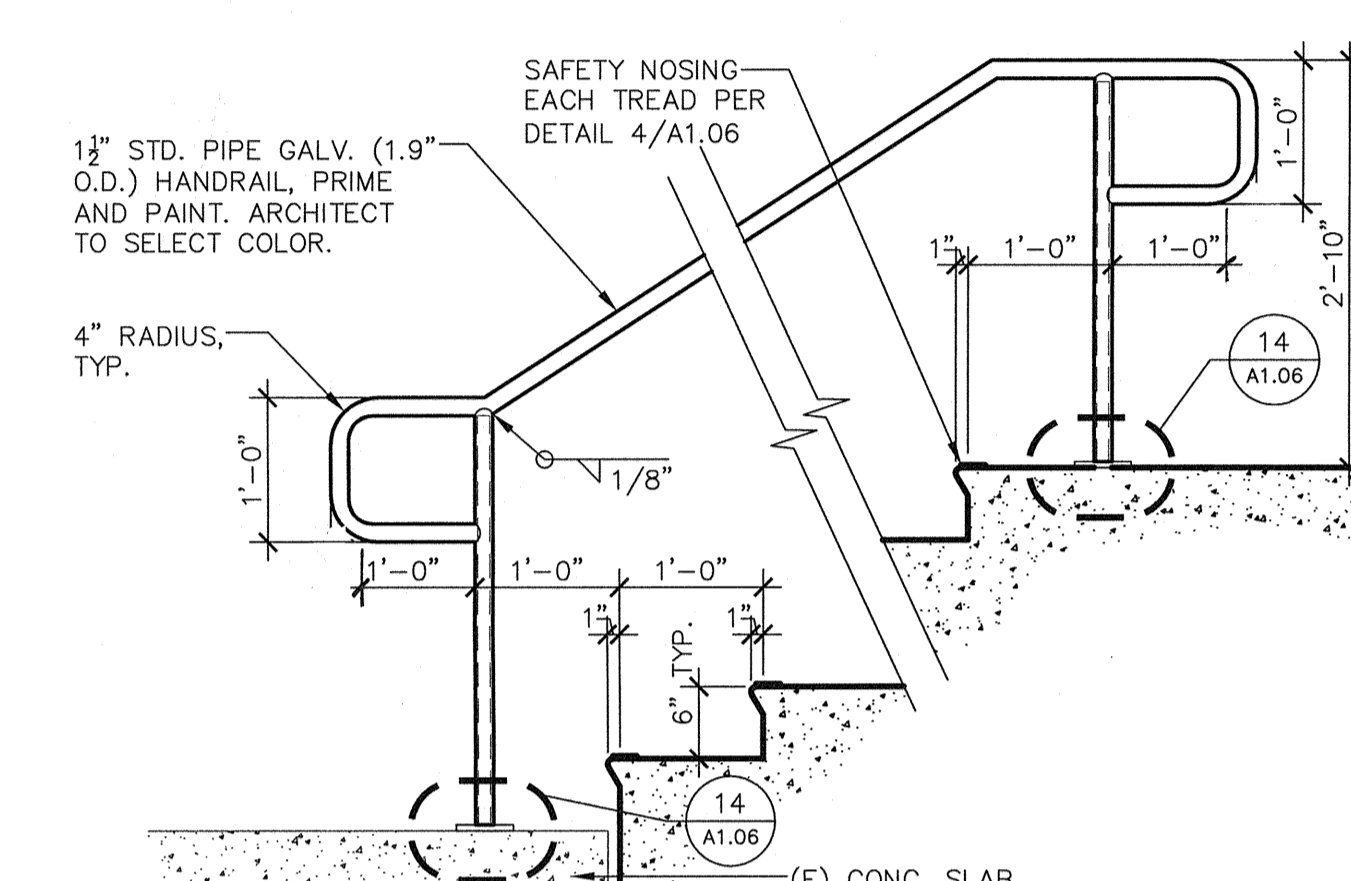
8 TYPICAL EXTERIOR DOOR SIGNAGE  
A1.06 ADA200-13 SCALE: 3/8" = 1'-0"



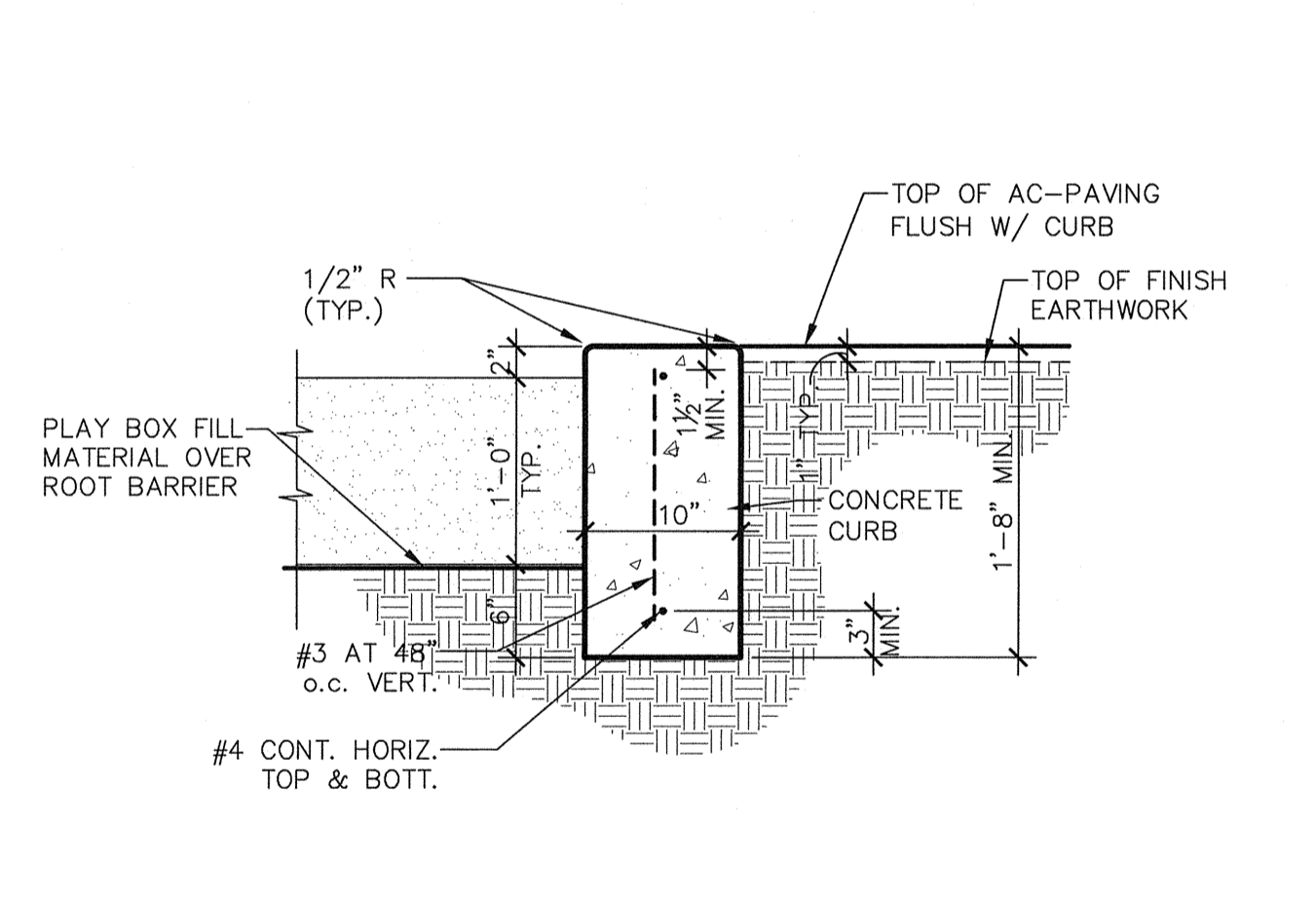
1 SECTION THROUGH ACCESS RAMP  
A1.06 ADE100-03 SCALE: 3/4" = 1'-0"



2 HANDRAIL @ PLATFORM STAIRS  
A1.06 ADE200-01 SCALE: 3/4" = 1'-0"



3 CONCRETE CURB AT PLAY BOX  
A1.06 BCSD SCALE: 1" = 1'-0"



4 SECTION DETAIL AT STAIR  
A1.06 ADE100-06 SCALE: 3" = 1'-0"

**integrated designs** by SOMAM, Inc.  
ARCHITECTURE · ENGINEERING · INTERIOR DESIGN · CONSTRUCTION MANAGEMENT

6011 N. Fresno, Suite 130 - Fresno, California 93710  
Phone (559) 430-0881 Fax (559) 430-0887  
www.integrateddesigns.com E-Mail: design@somam.com

Ownership of Documents  
This document, the ideas and designs incorporated herein, as an instrument of Professional Service is the property of Integrated Designs by SOMAM Inc. and is not to be used, in whole or in part for any other project without written authorization.  
© COPYRIGHT 2009

Rev. Date: \_\_\_\_\_  
Rev. Description: \_\_\_\_\_

**SITE DETAILS**

Project Name & Address:  
**PIONEER DRIVE ELEMENTARY SCHOOL**  
**7 PERMANENT MODULAR CLASSROOMS**  
BAKERSFIELD CITY SCHOOL DISTRICT  
4404 PIONEER DRIVE BAKERSFIELD, CA 93306

Issue Date: 08/11/10  
Date: 06/28/10  
Designer: \_\_\_\_\_  
DR: \_\_\_\_\_  
PC: \_\_\_\_\_

Sheet Title: \_\_\_\_\_

DSA Identification Stamp:

FILE # 15-6  
IDENTIFICATION STAMP  
DIV. OF THE STATE ARCHITECT  
OFFICE OF REGULATION SERVICES

03-115549  
AC: \_\_\_\_\_  
DATE: 9-2-2010  
TRACKING #: DSA TRACKING NO

Stamp(s): \_\_\_\_\_

Job No: **3862**

Sheet No: **A1.06**

Release: \_\_\_\_\_

Professional Seal:  
CURTIS E. FLYNN  
No. C 28566  
STATE OF CALIFORNIA