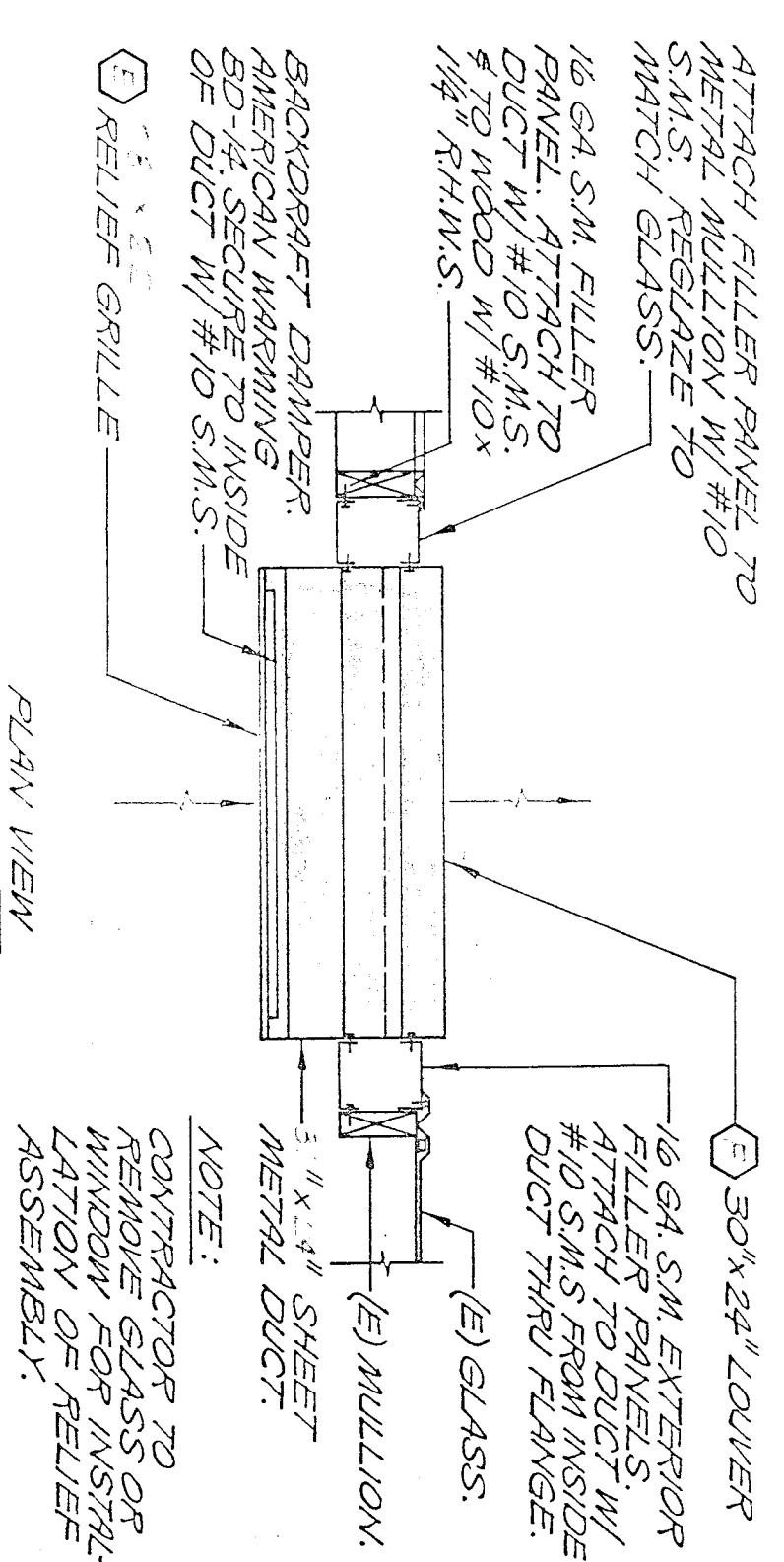
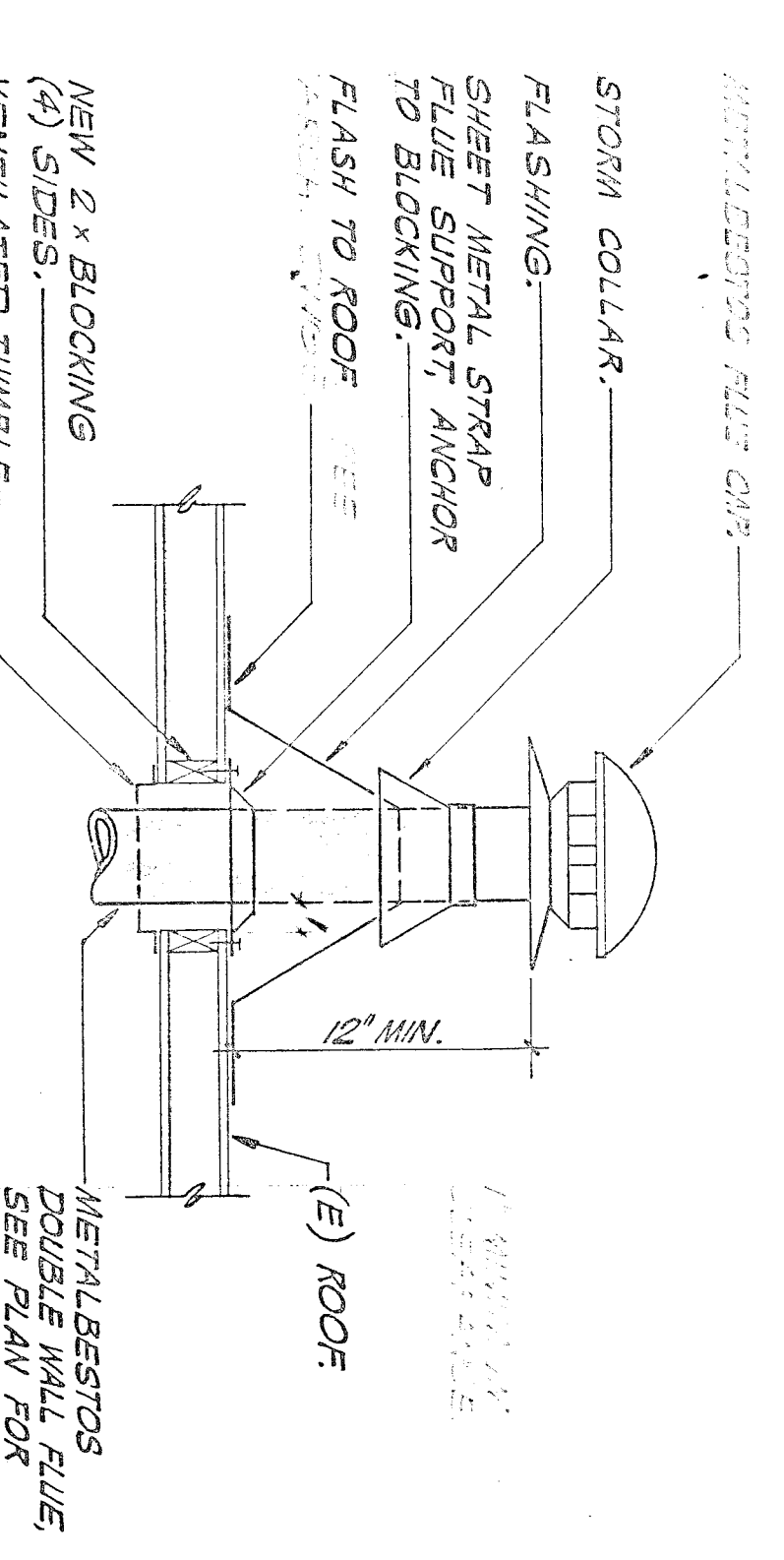


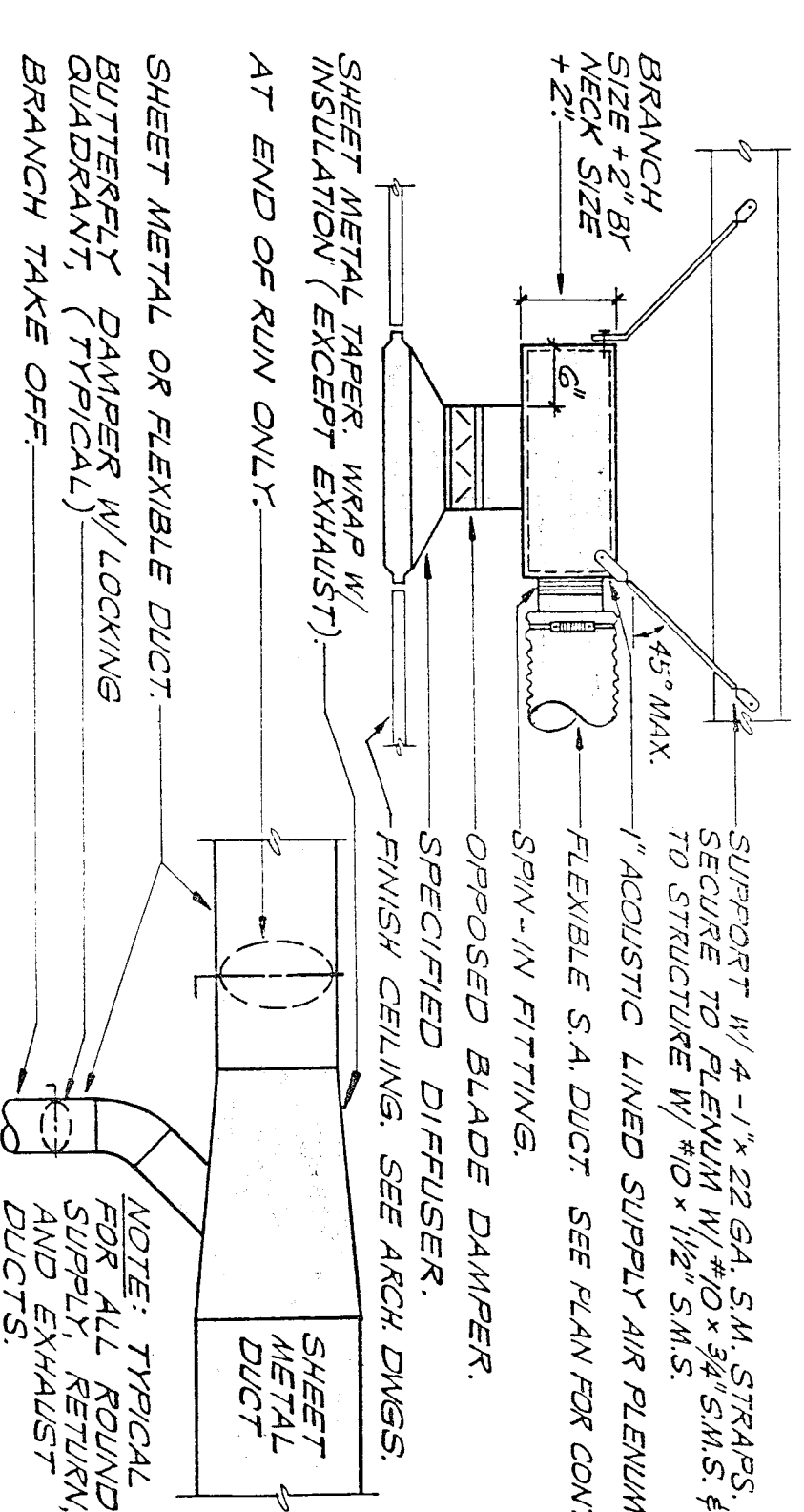
BAROMETRIC RELIEF VENT
SCALE: NONE



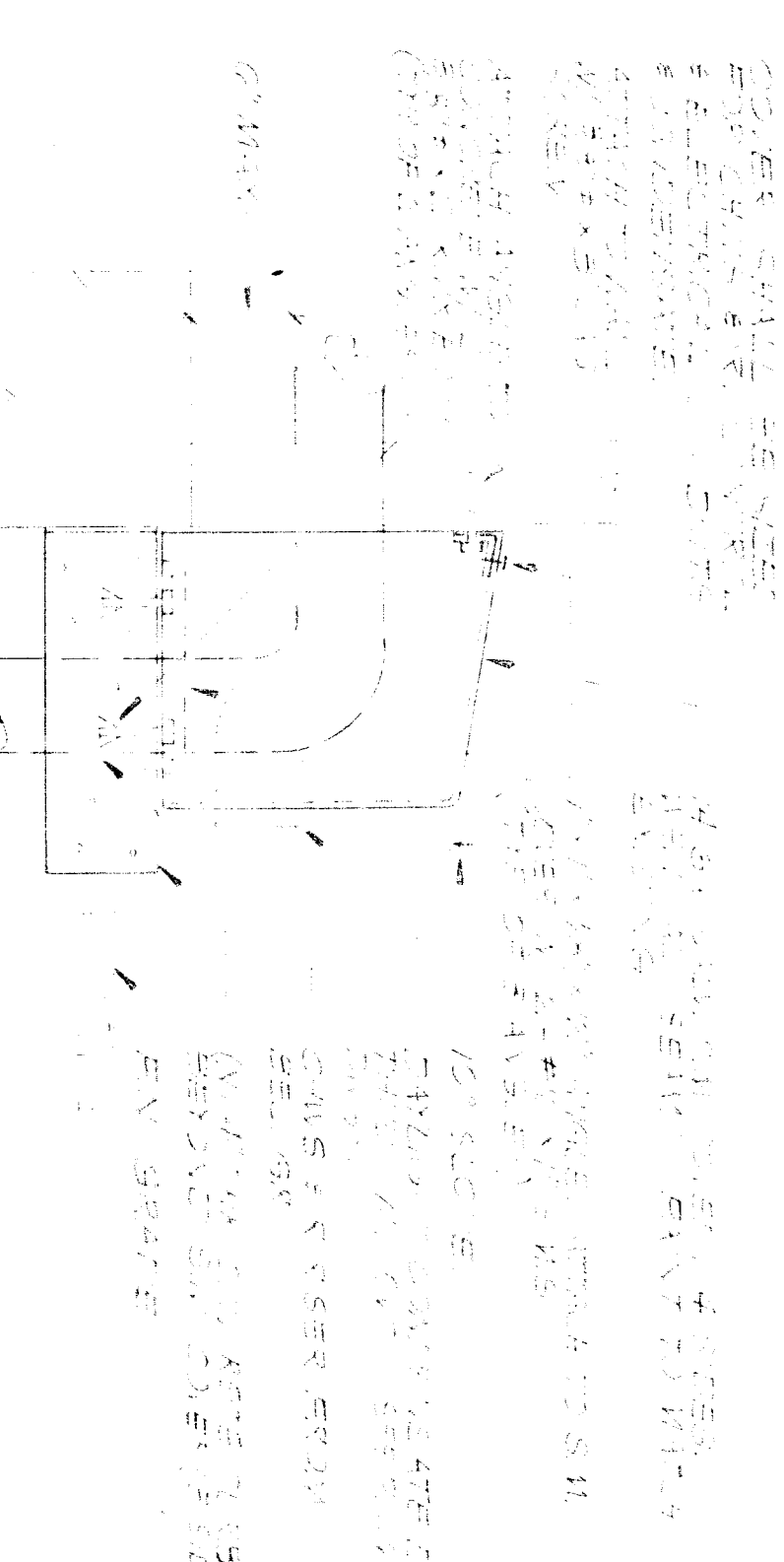
BAROMETRIC RELIEF VENT
SCALE: NONE



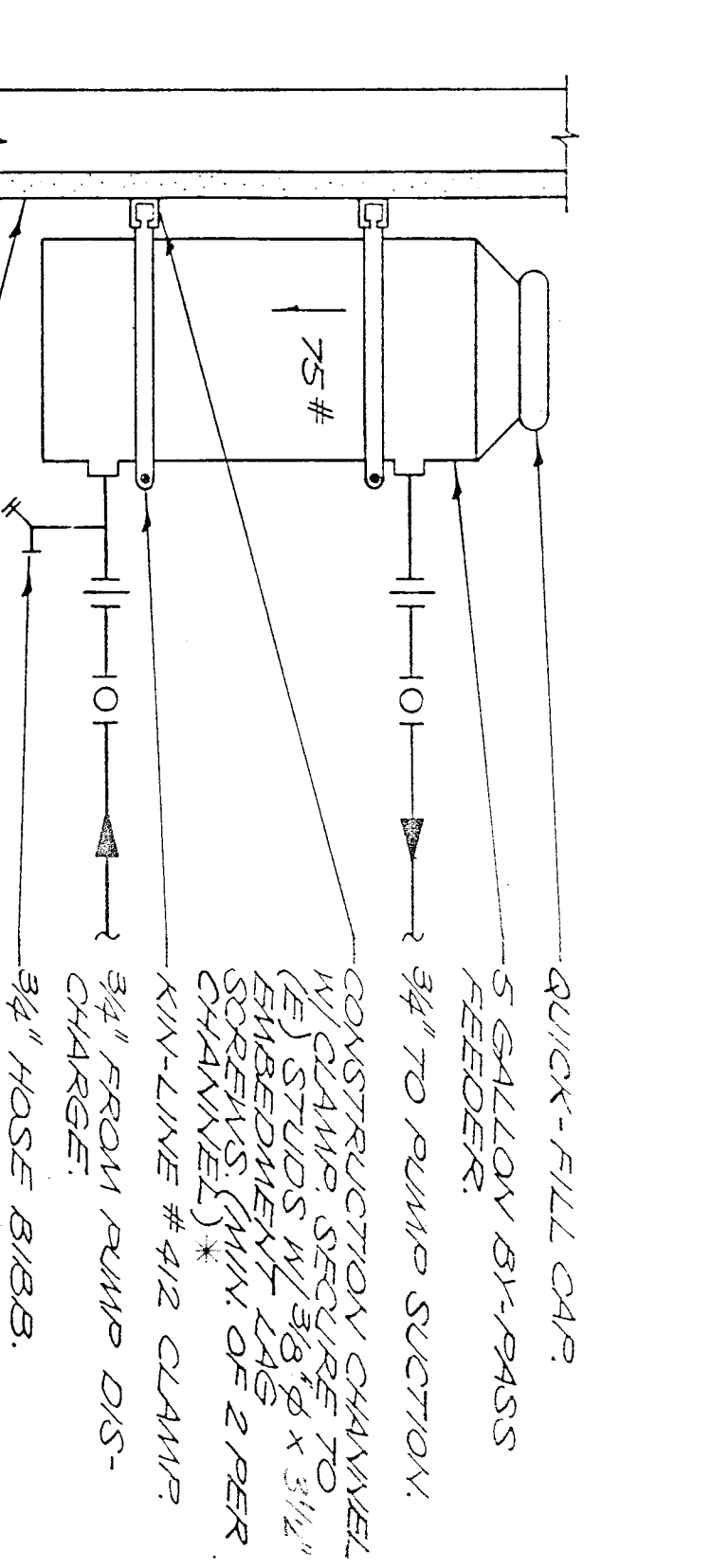
FLUE THRU ROOF DETAIL
SCALE: NONE



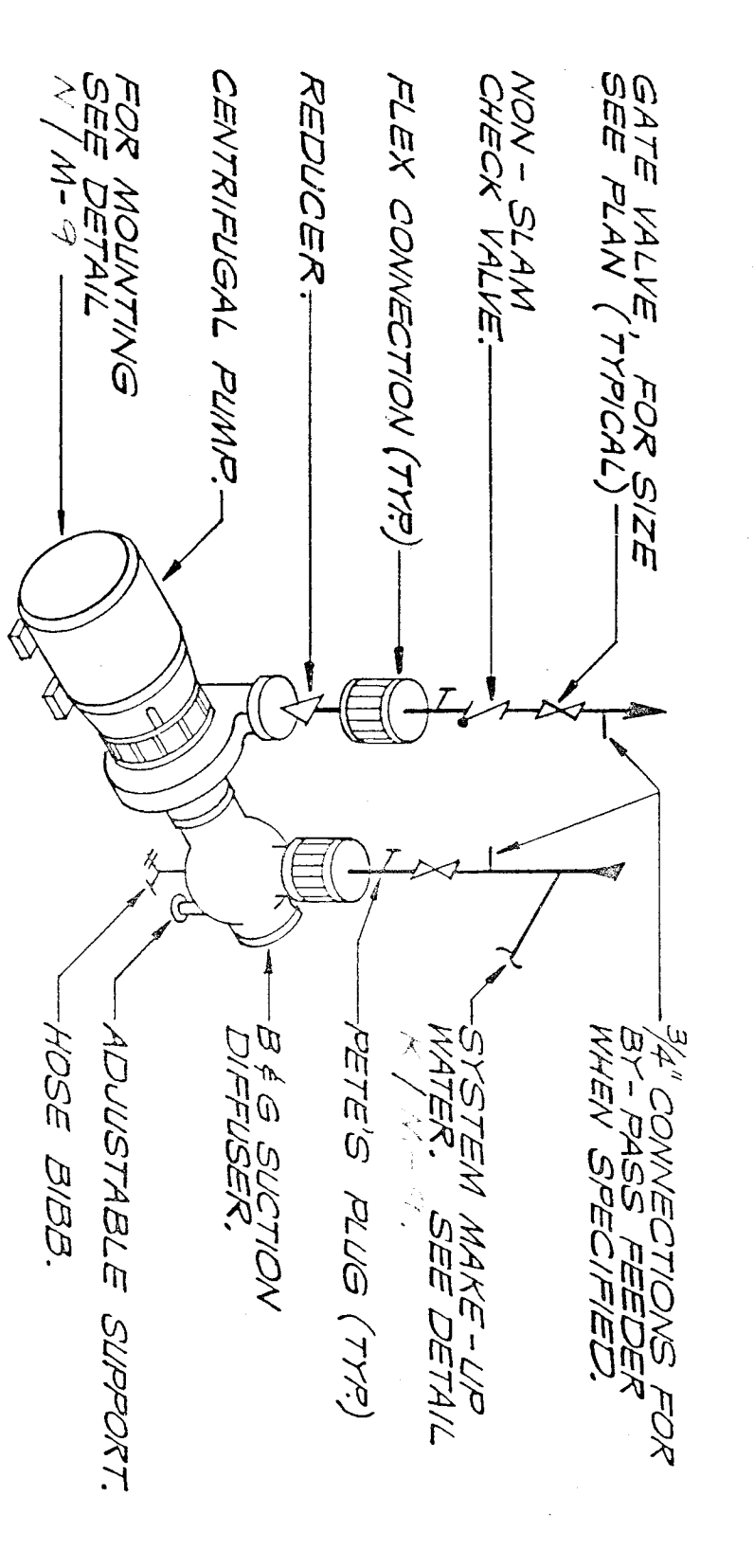
TYP S.A. DEVICE - BRANCH DUCT DETAIL
SCALE: NONE



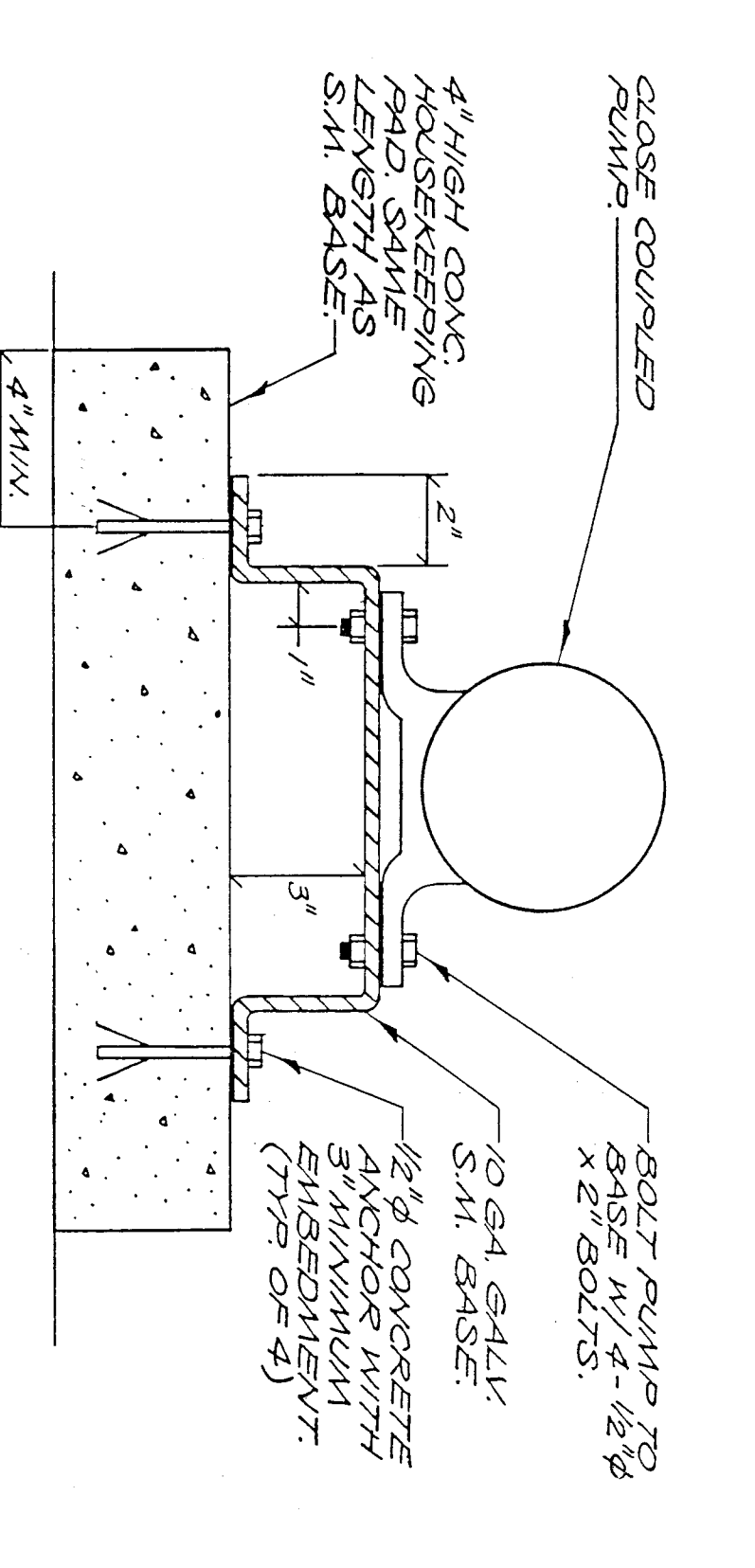
PIPE OVER DETAIL
SCALE: NONE



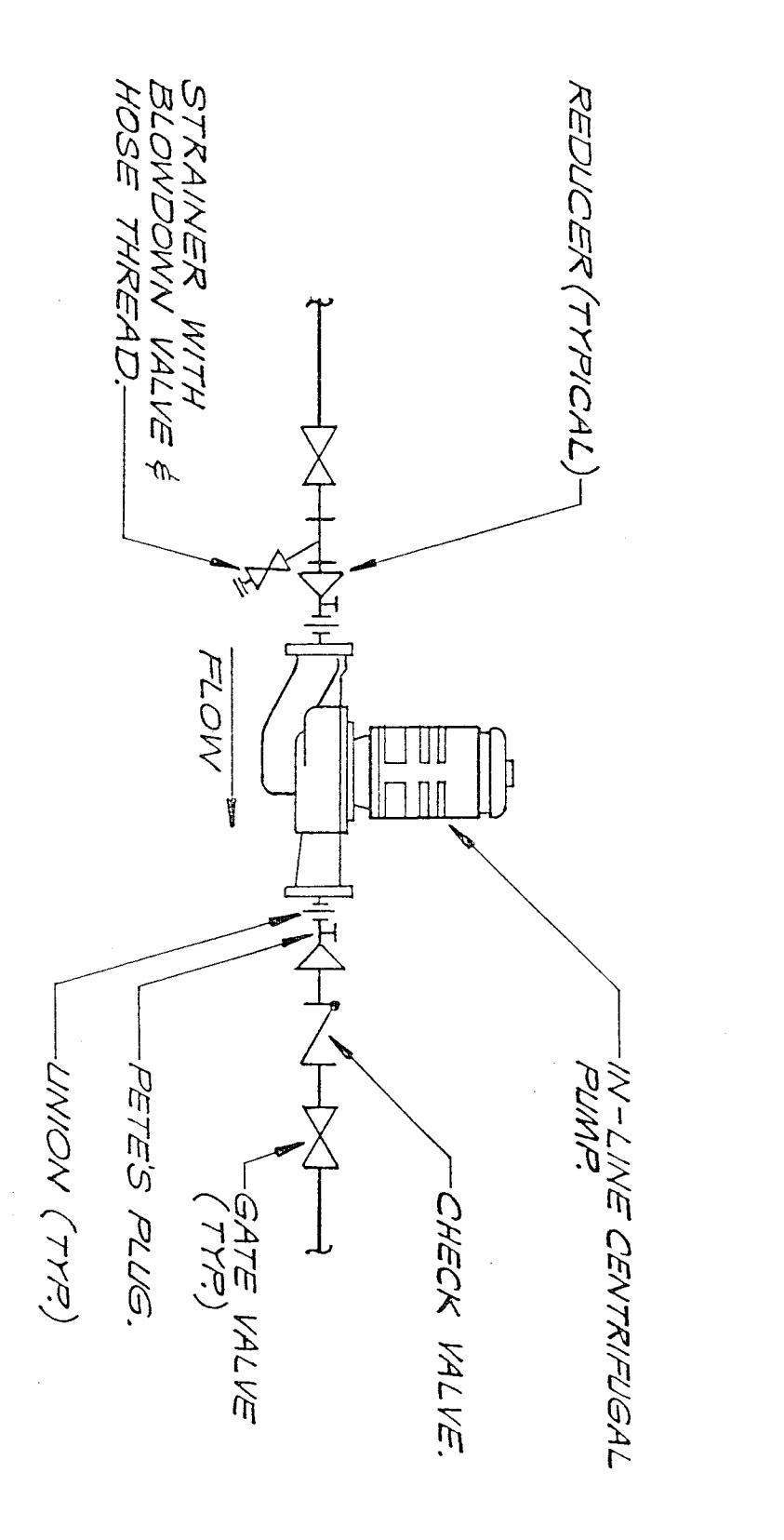
CLOSED SYSTEM BY-PASS FEEDER
SCALE: NONE



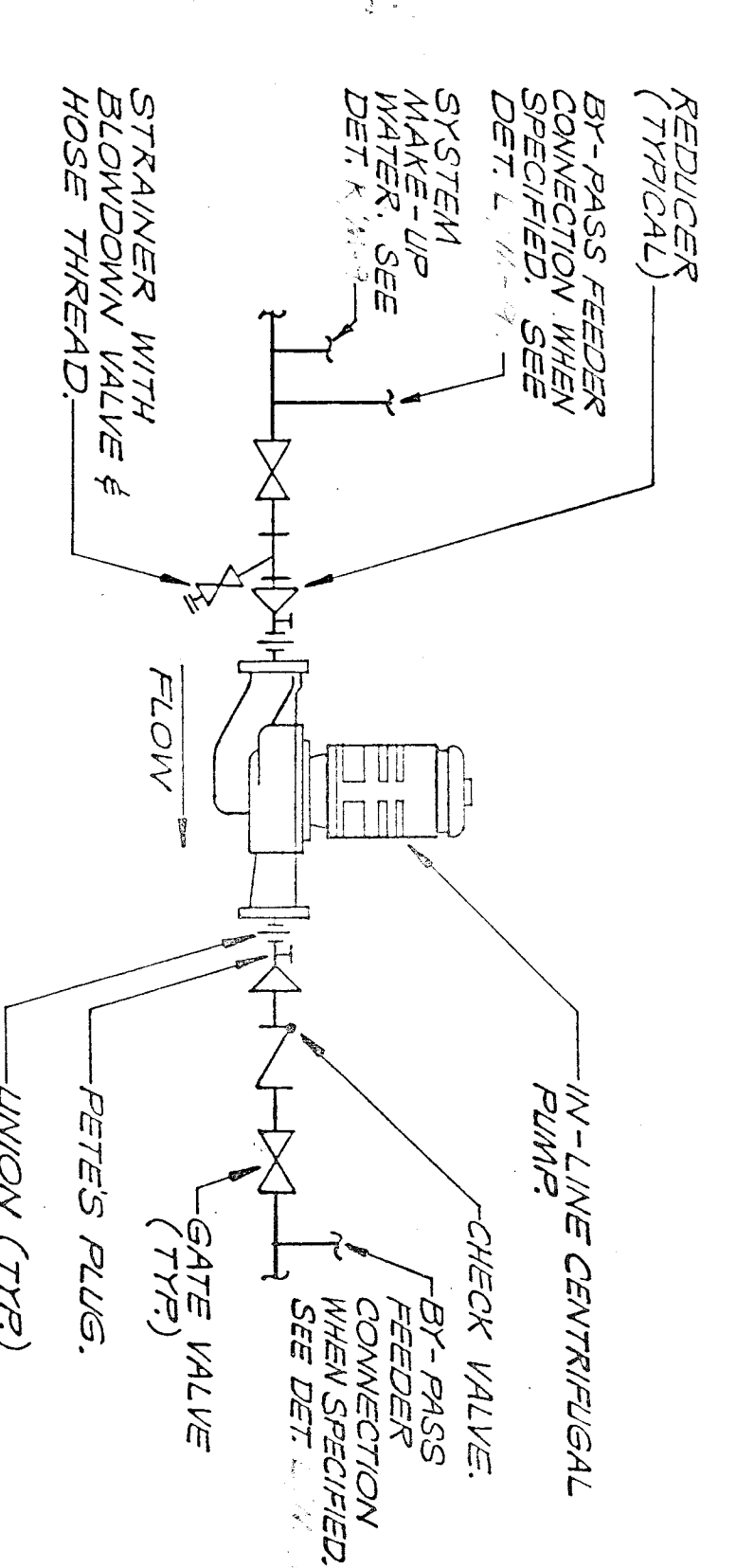
BASE MOUNTED PUMP PIPING
SCALE: NONE



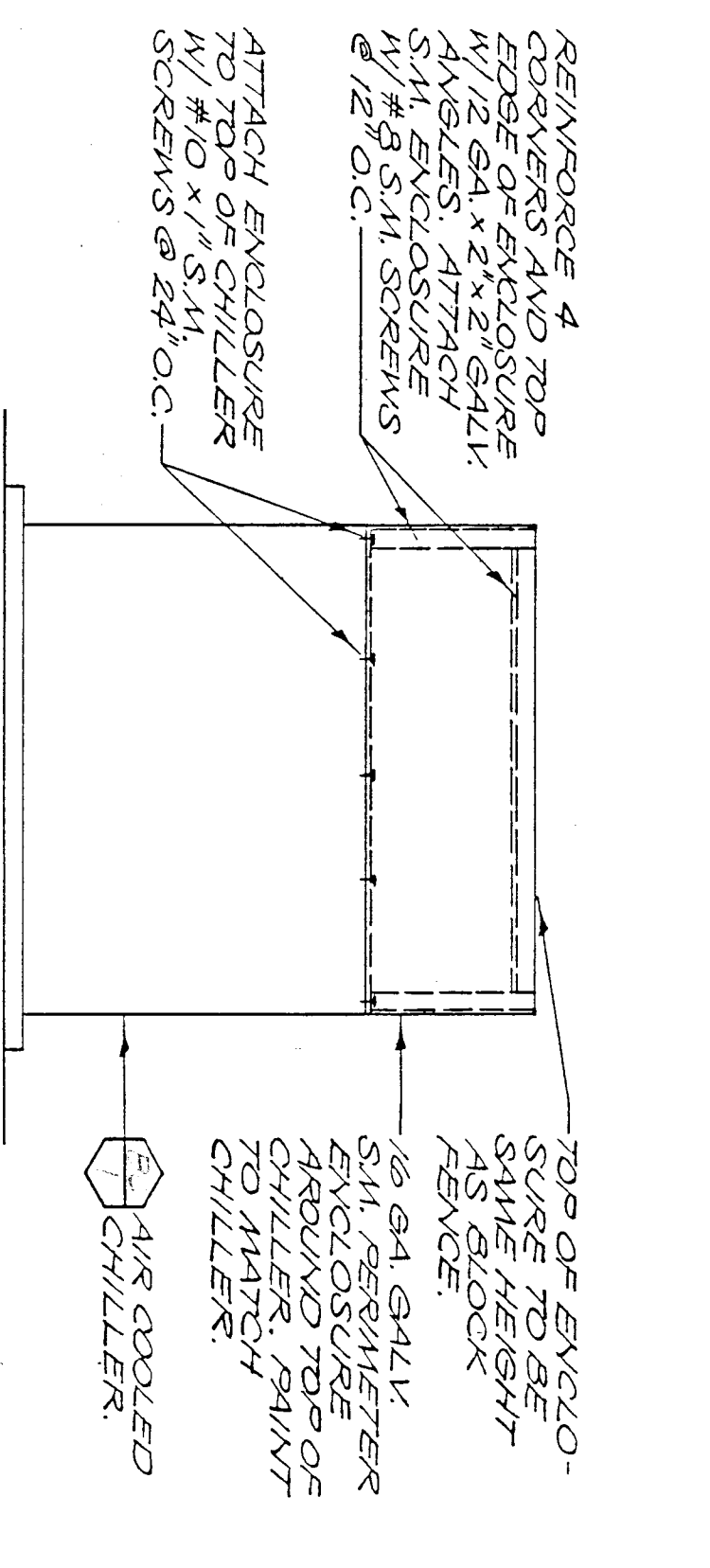
CLOSE COUPLED PUMP BASE
SCALE: NONE



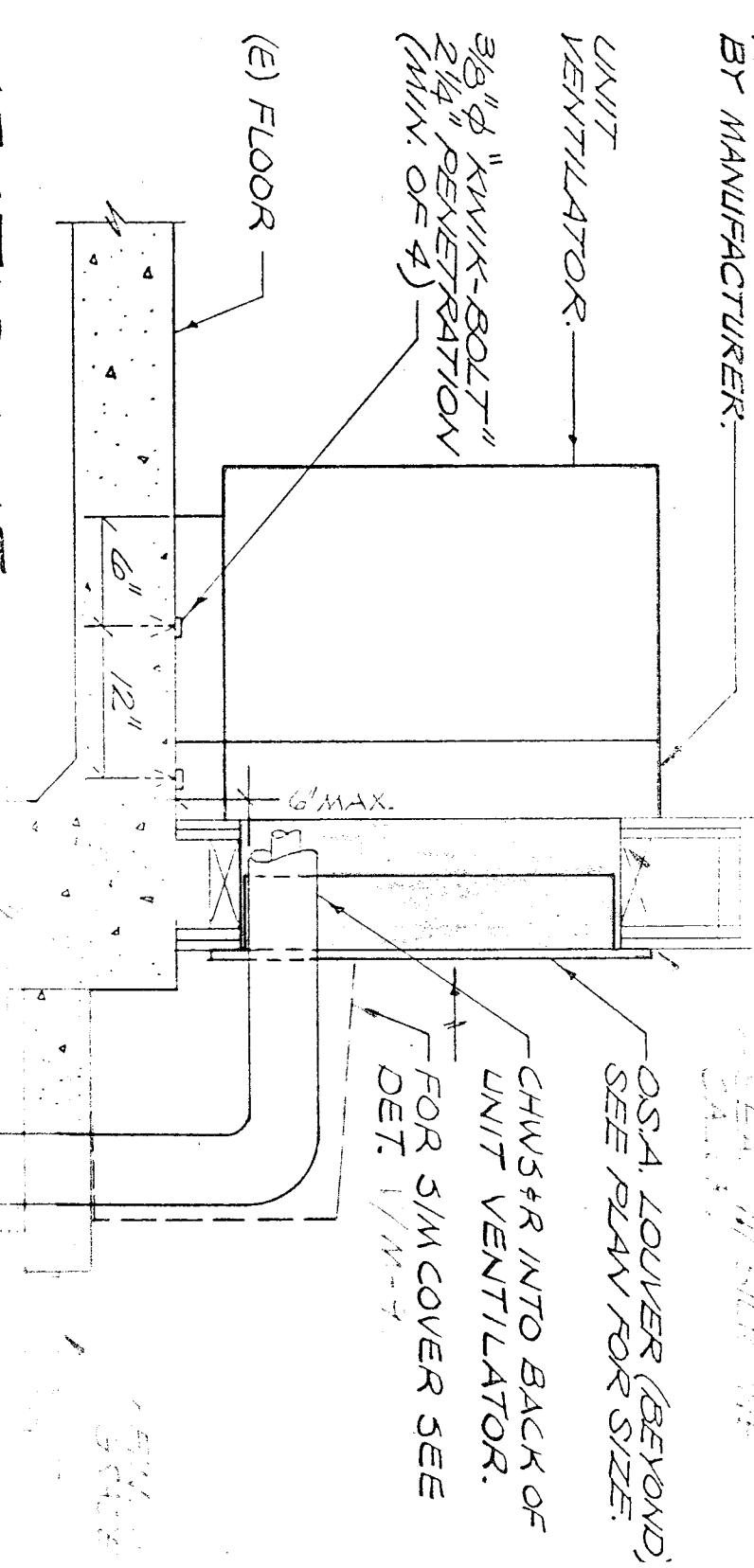
IN-LINE PUMP PIPING DETAIL
SCALE: NONE



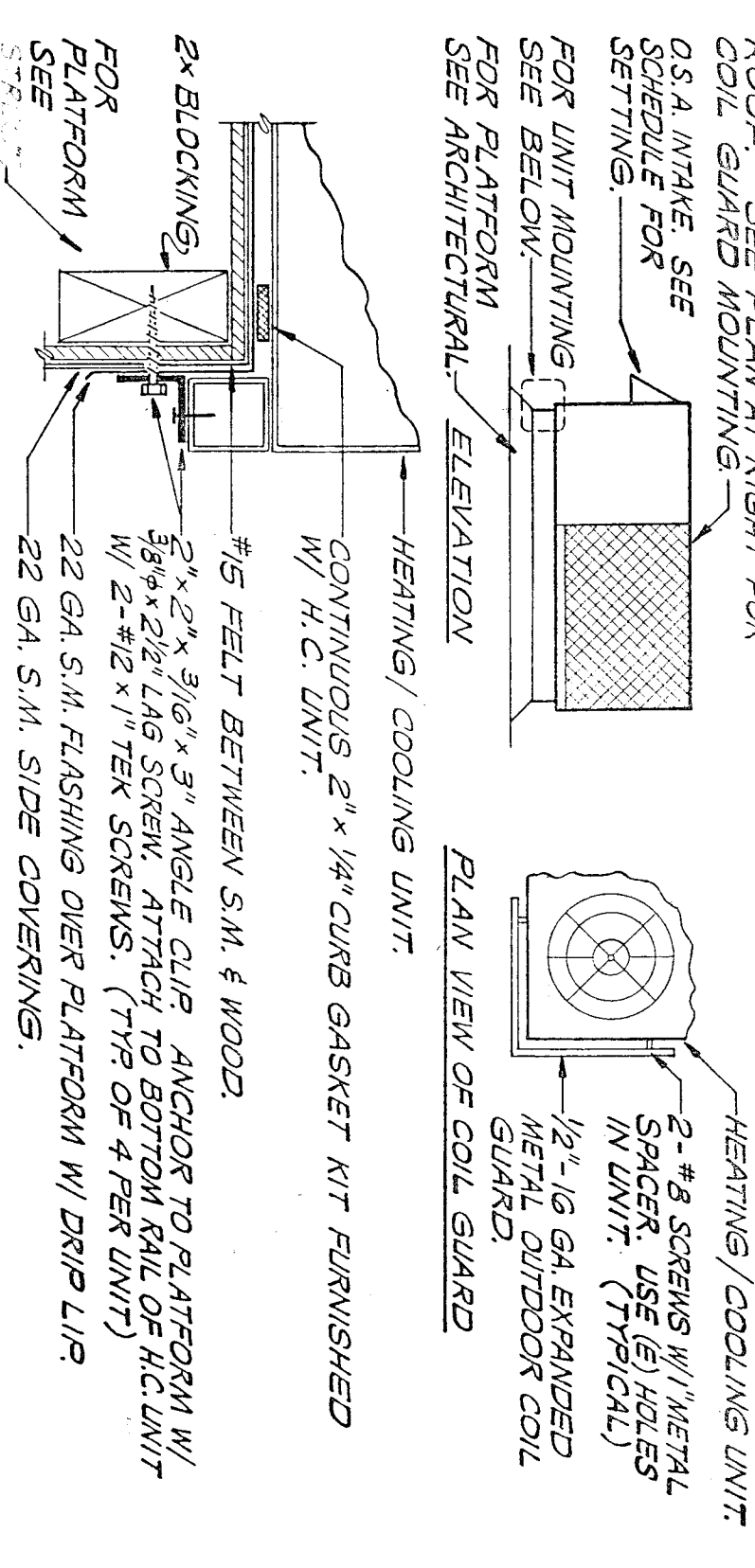
IN-LINE PUMP PIPING DETAIL
SCALE: NONE



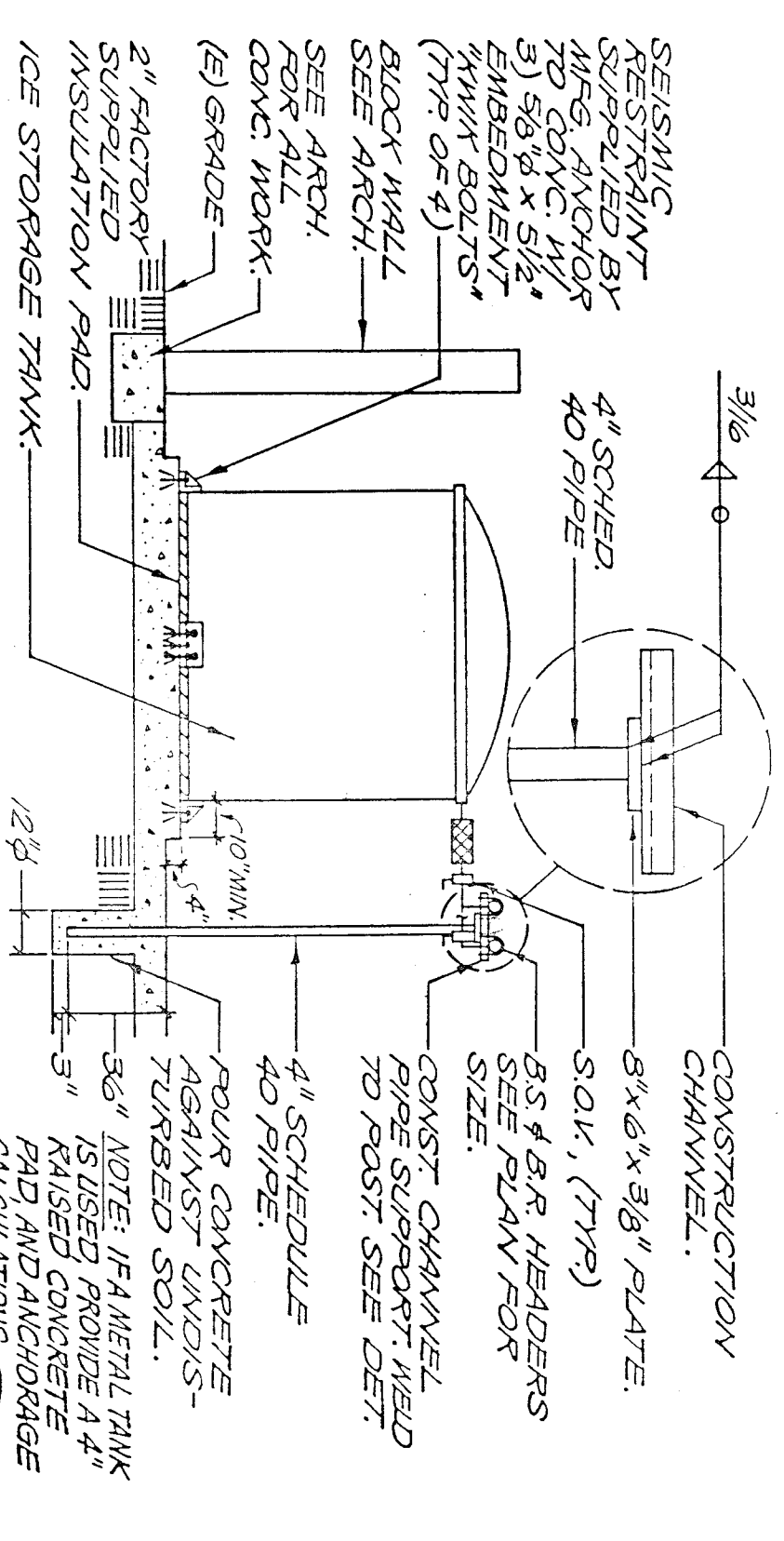
CHILLER CONDENSER ENCLOSURE
SCALE: NONE



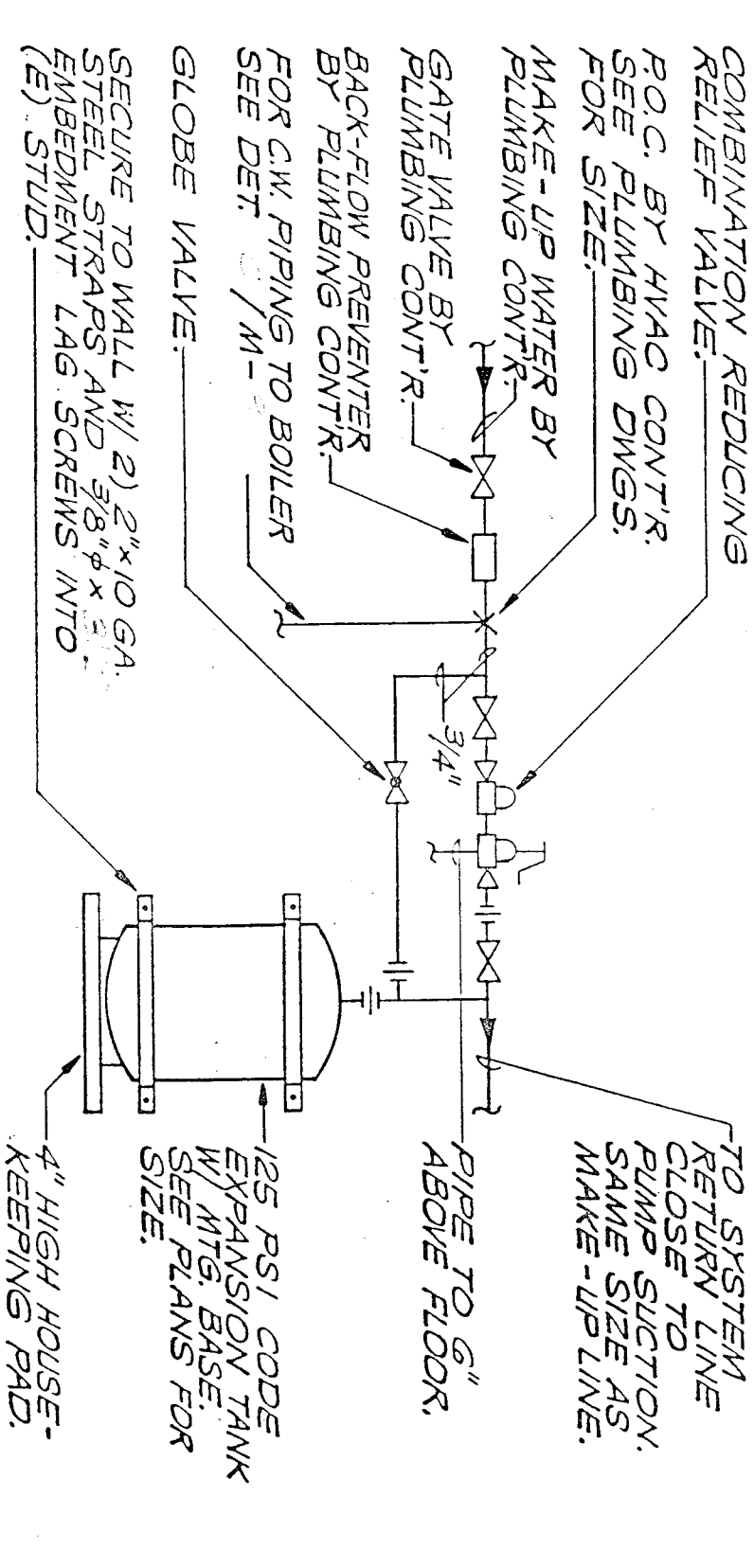
SECTION AT UNIT VENTILATOR
SCALE: 1/2" = 1'-0"



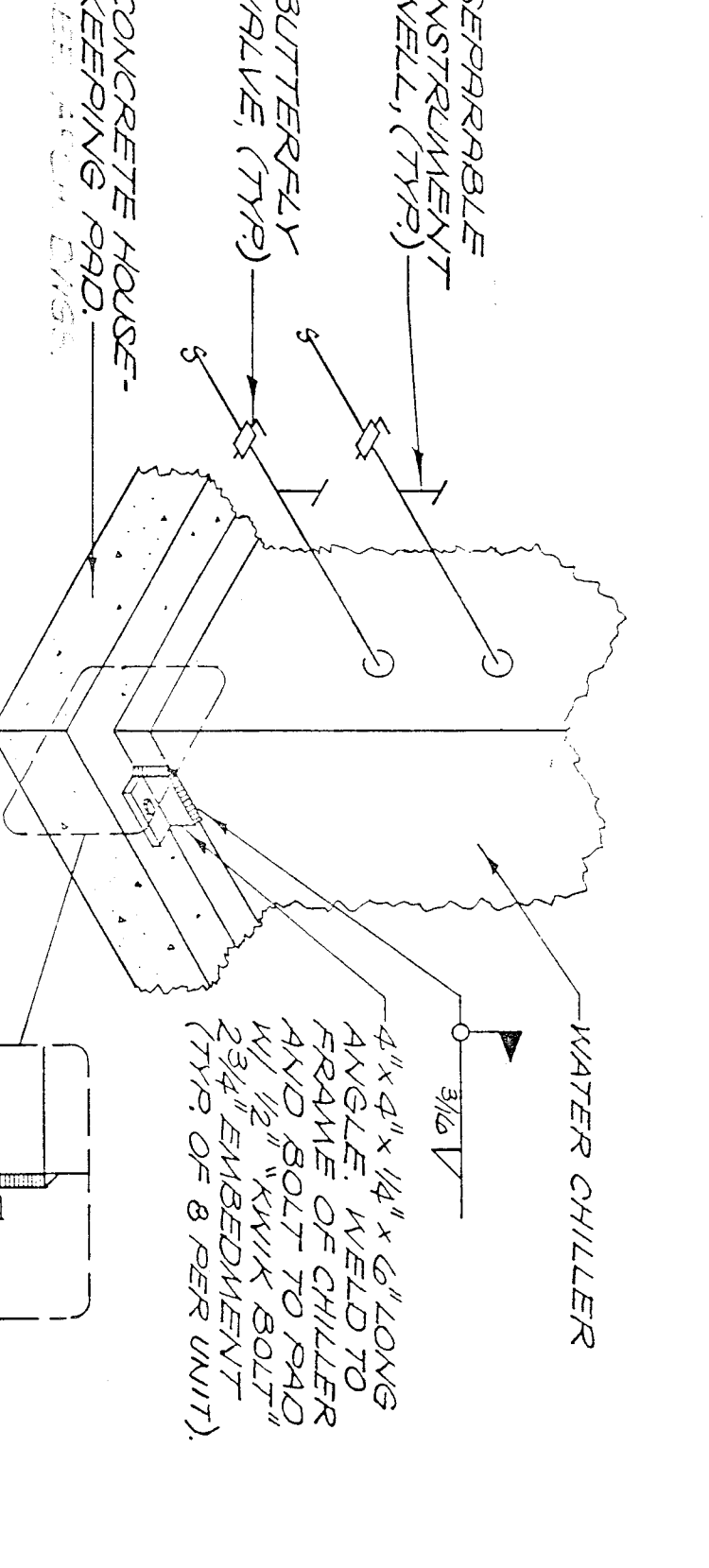
SECTION AT H.C. UNIT ON ROOF
SCALE: NONE



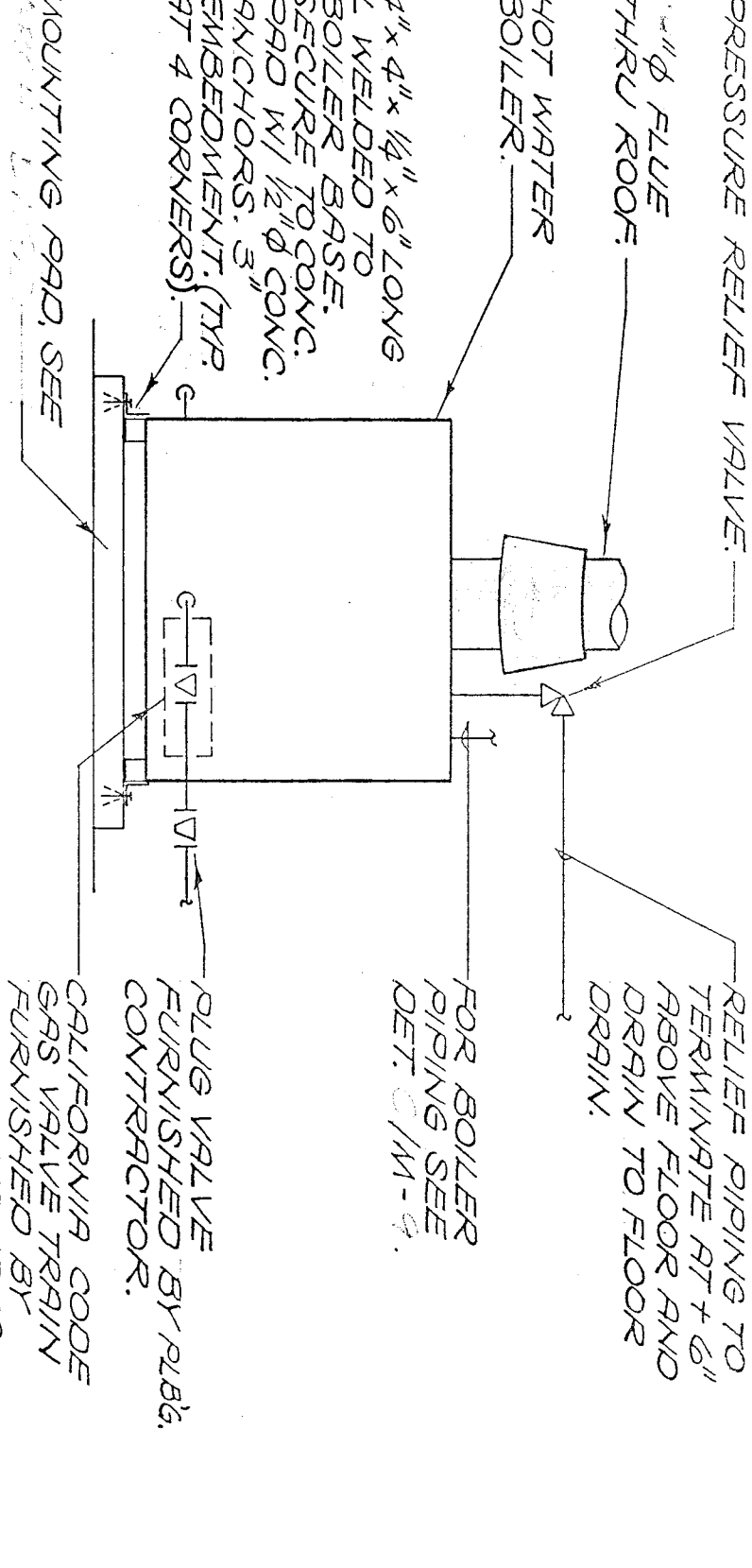
ICE STORAGE TANK DETAIL
SCALE: NONE



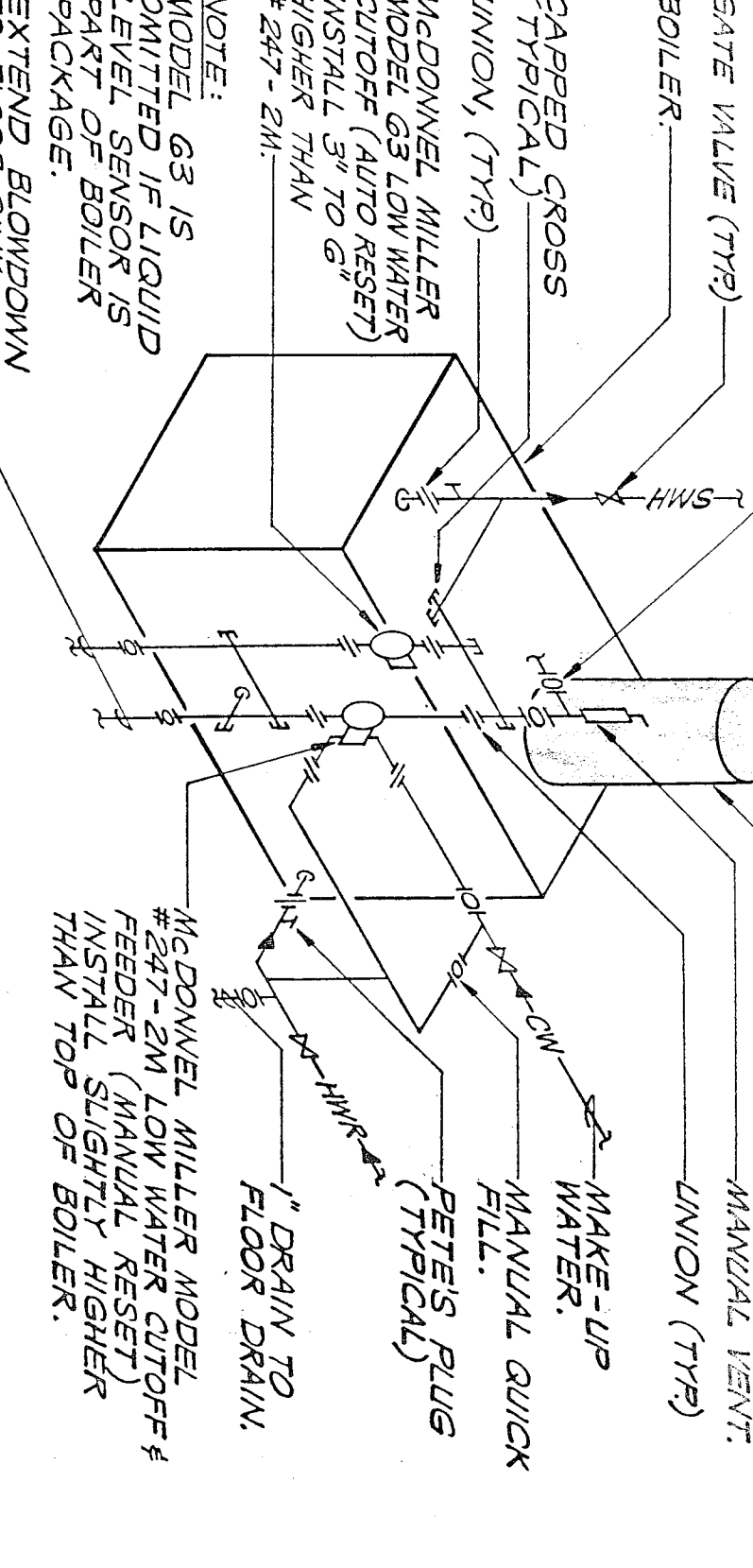
MAKE-UP WATER TANK AND EXPANSION TANK PIPING
SCALE: NONE



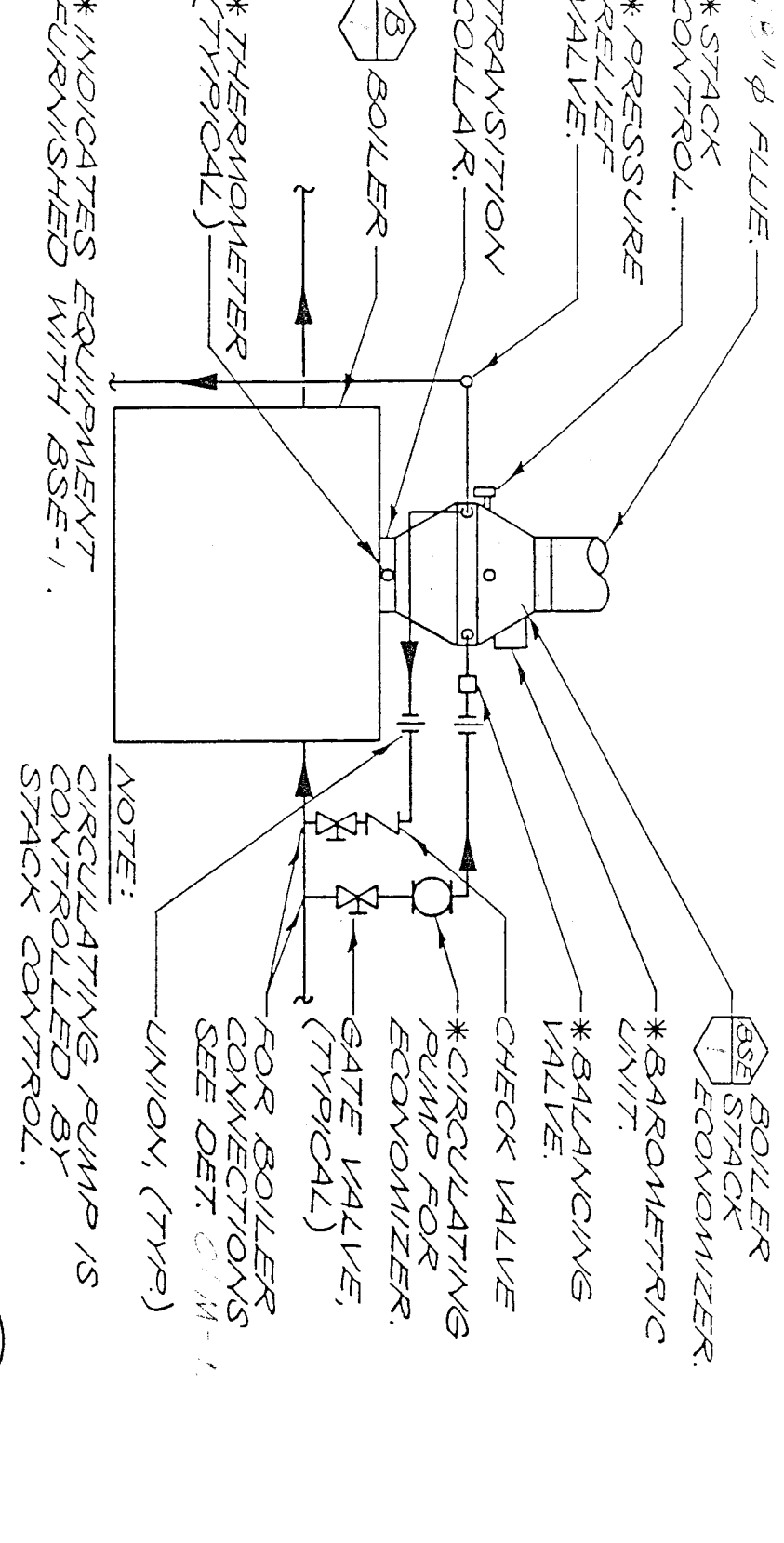
FRAME CHILLER MOUNTING & PIPING DETAIL
SCALE: NONE (INSTALLATION SHALL COMPLY W/ CHAPT. 21 1905 UMC)



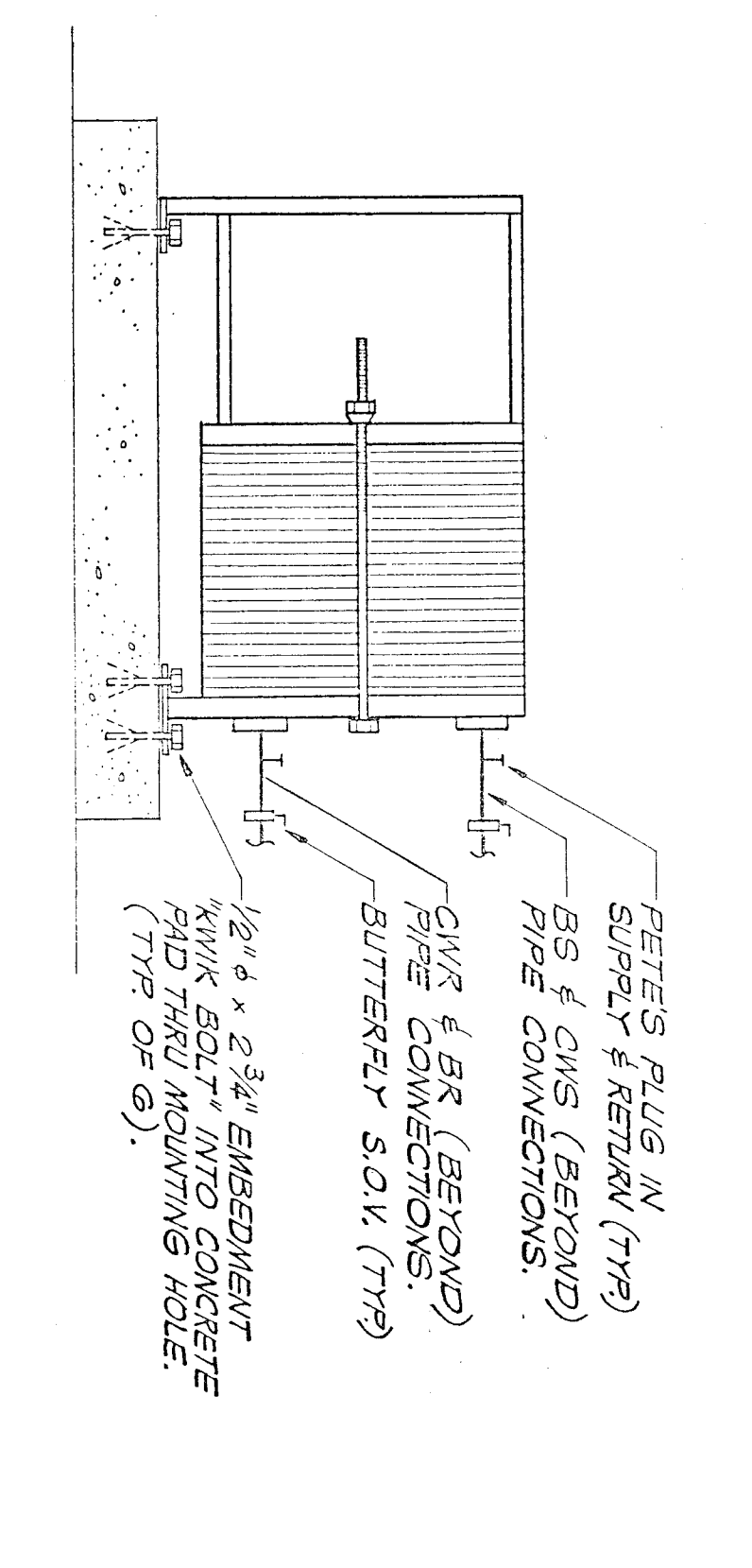
BOILER MFG. & GAS PIPING DETAIL
SCALE: NONE (INSTALLATION SHALL COMPLY W/ CHAPT. 21 1905 UMC)



BOILER PIPING DETAIL
SCALE: NONE



BOILER STACK ECONOMIZER
SCALE: NONE



HEAT EXCHANGER MOUNTING DETAIL
SCALE: NONE