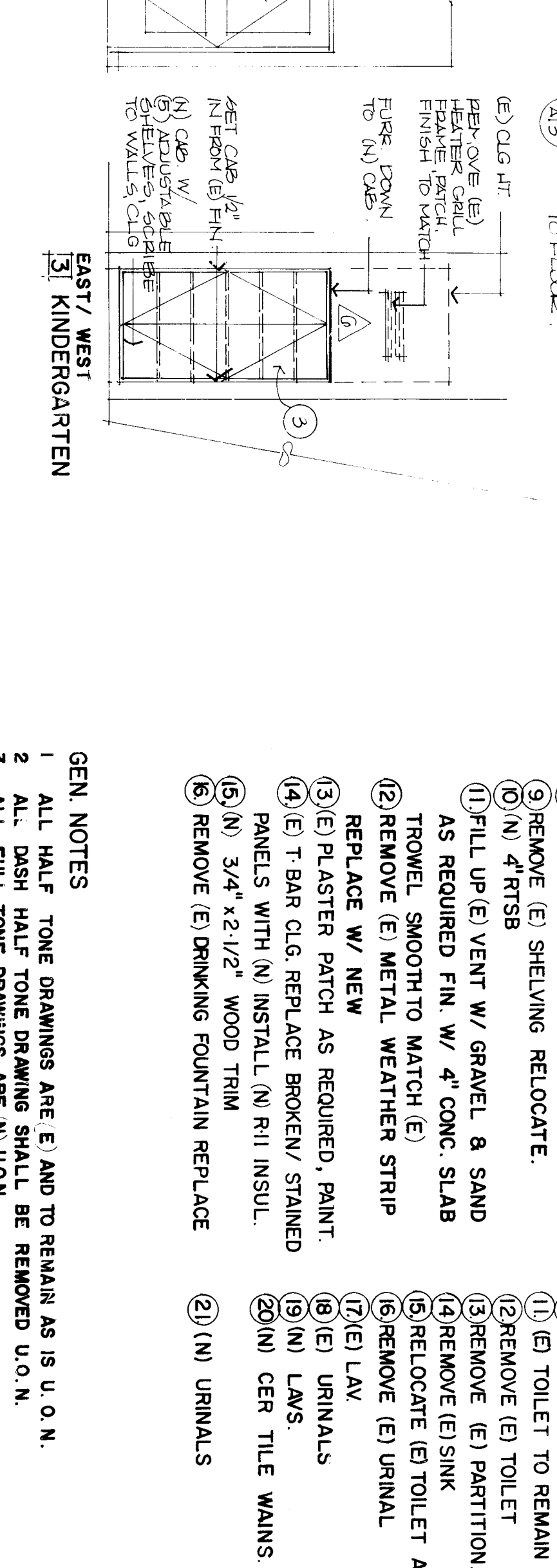
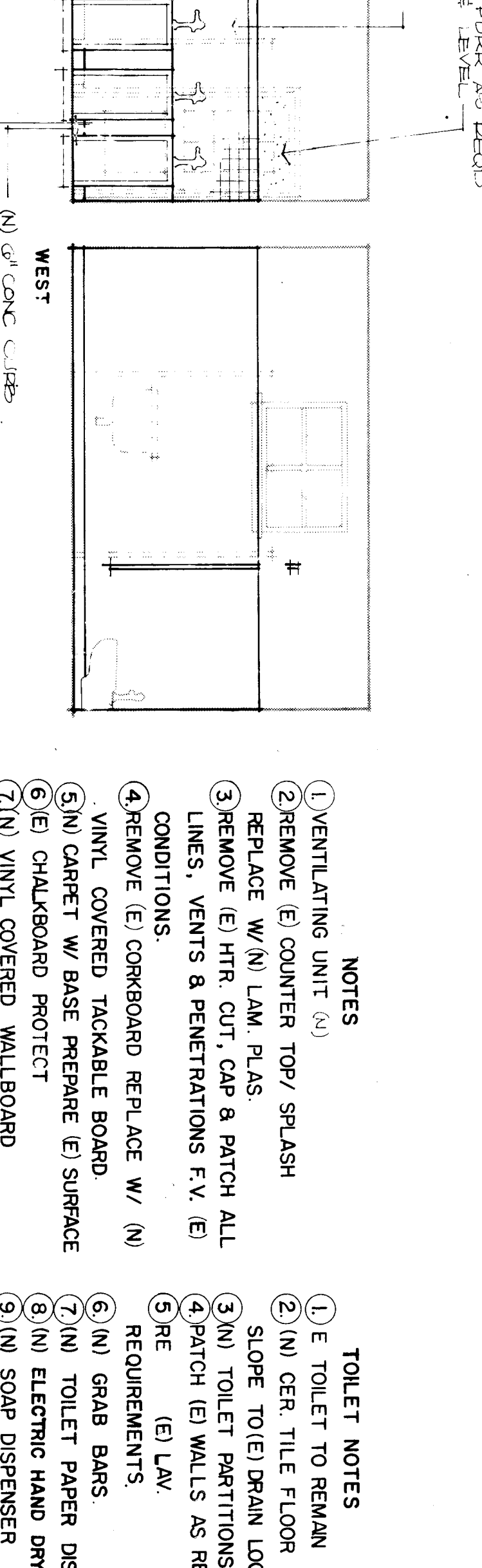
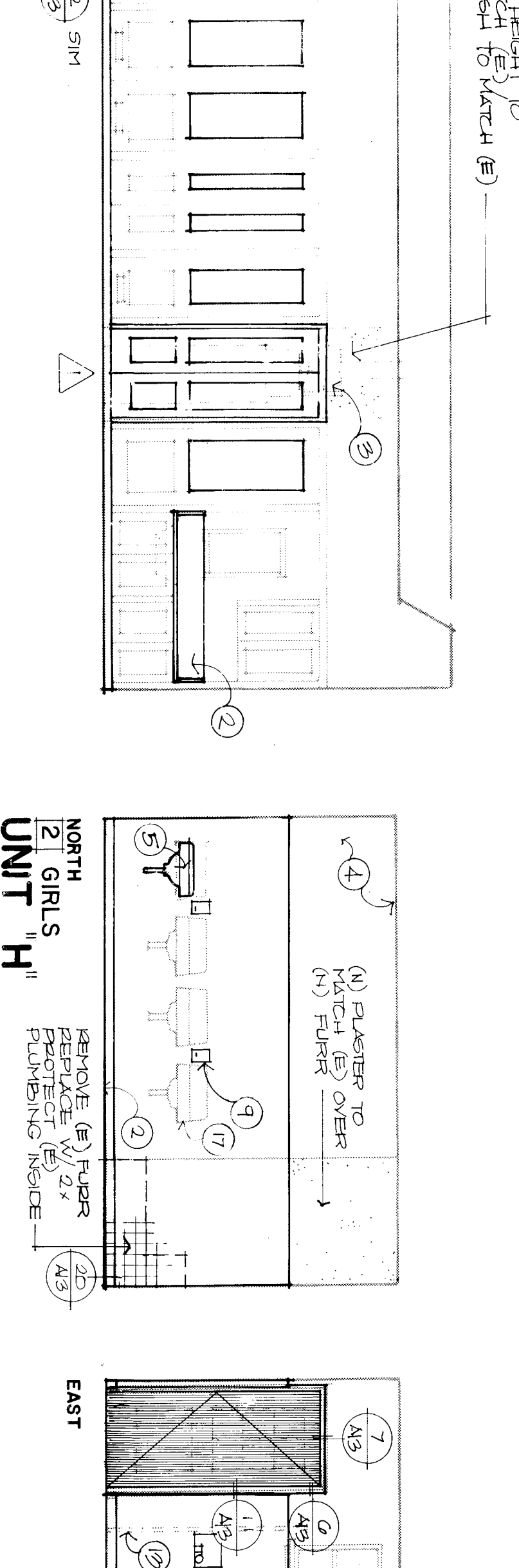
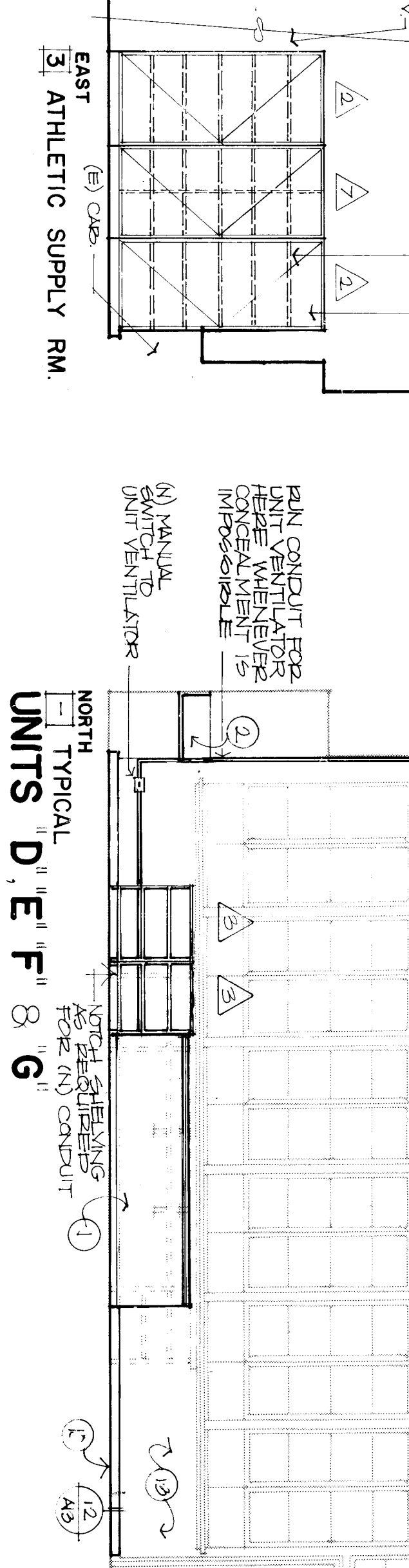
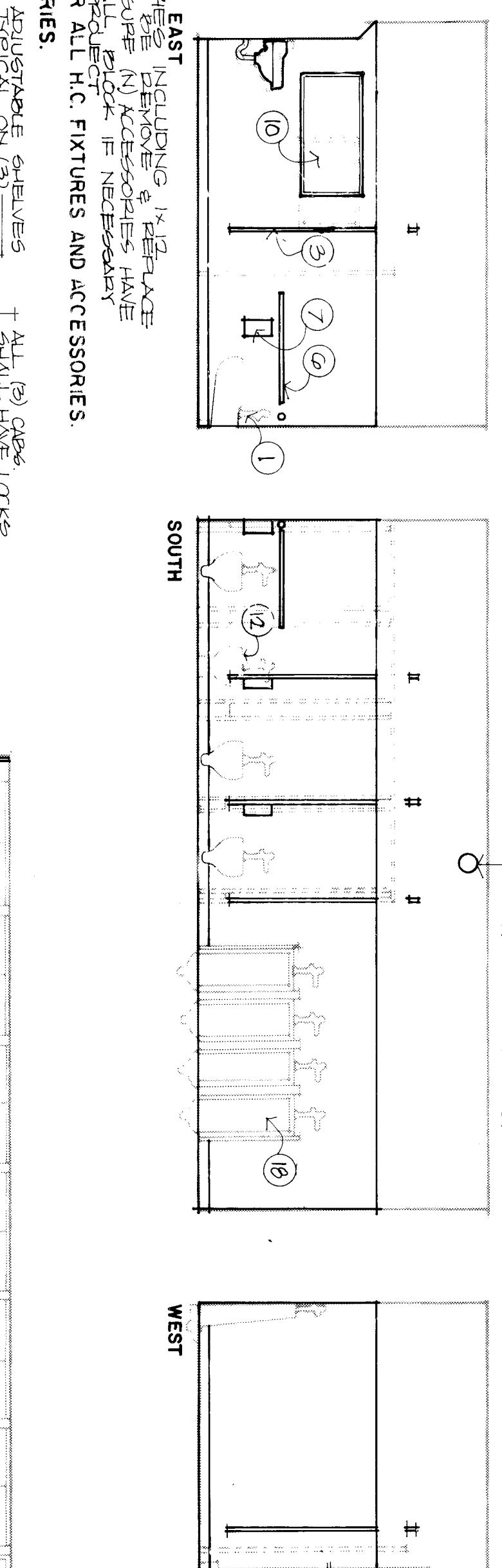
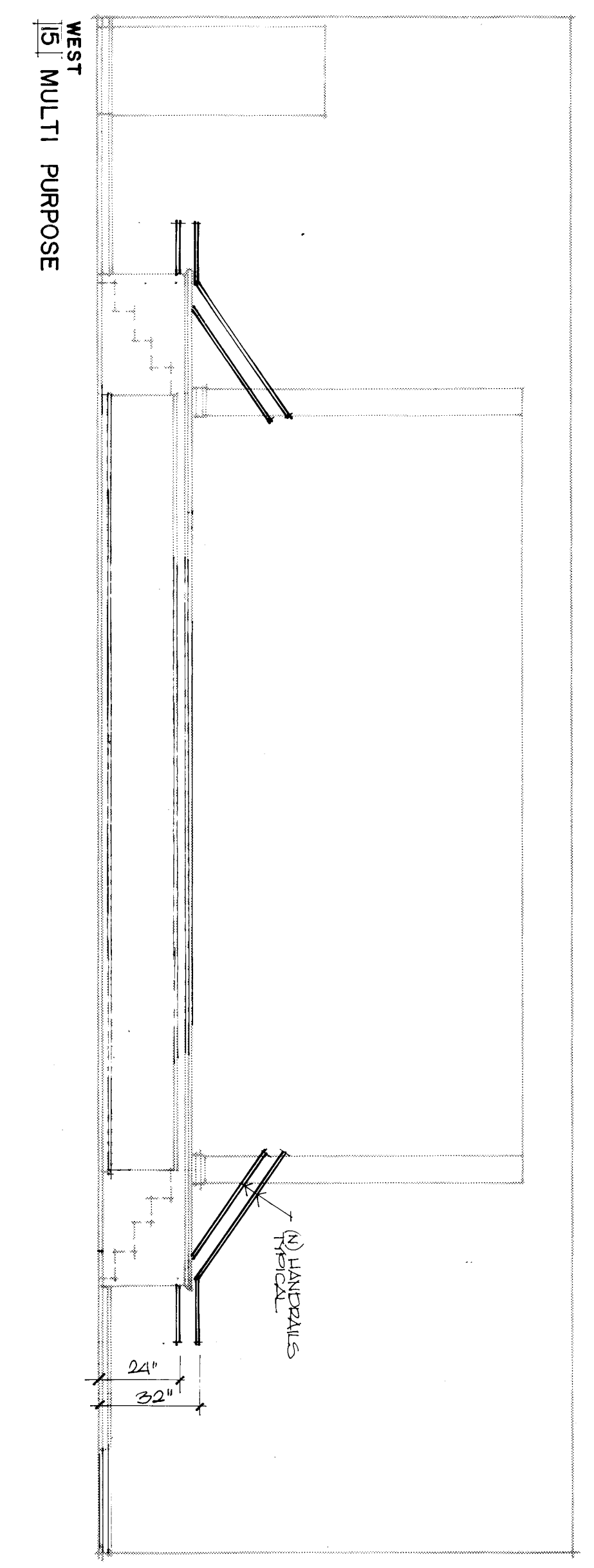
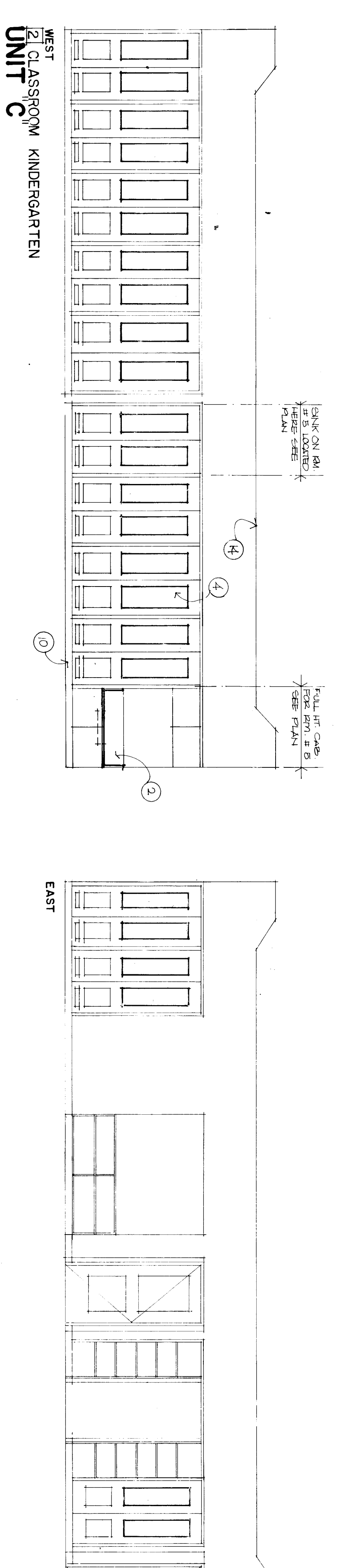
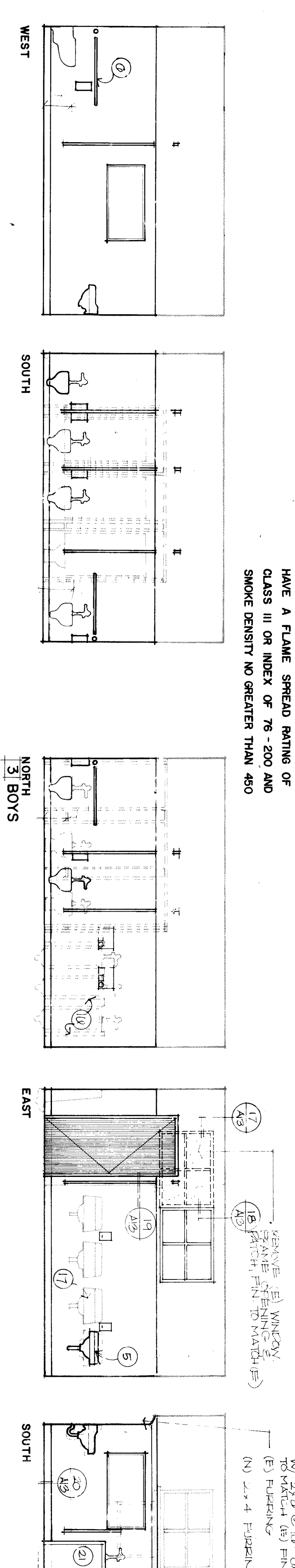
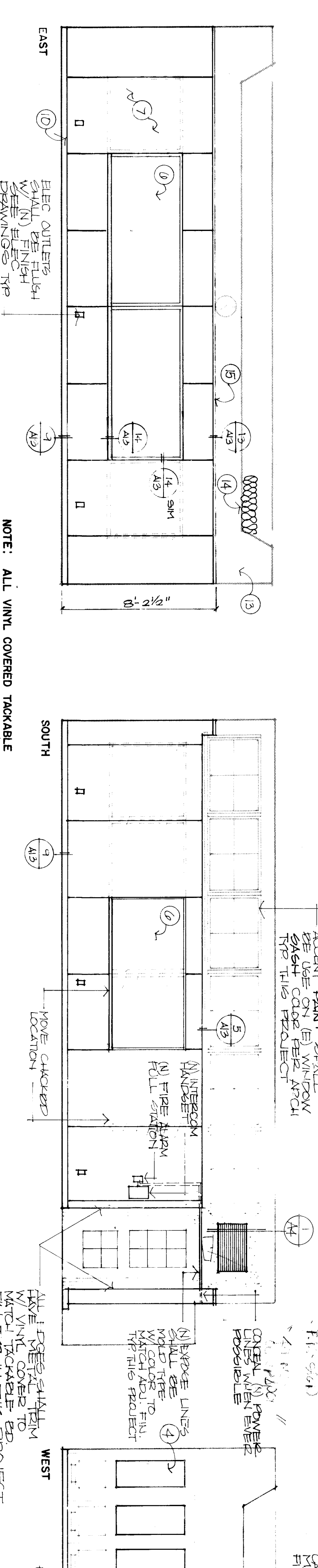
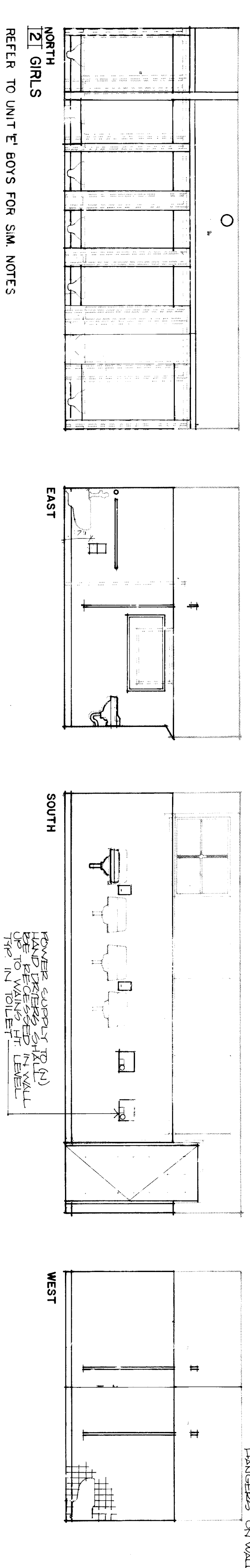
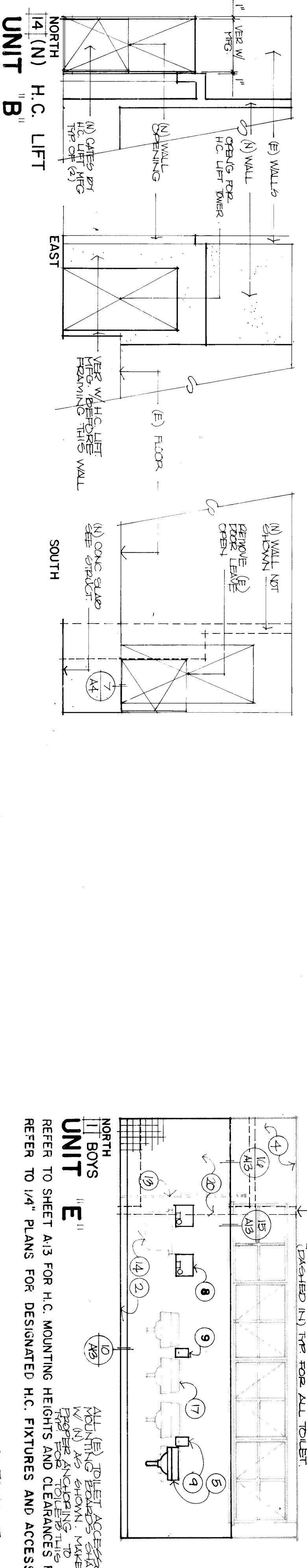
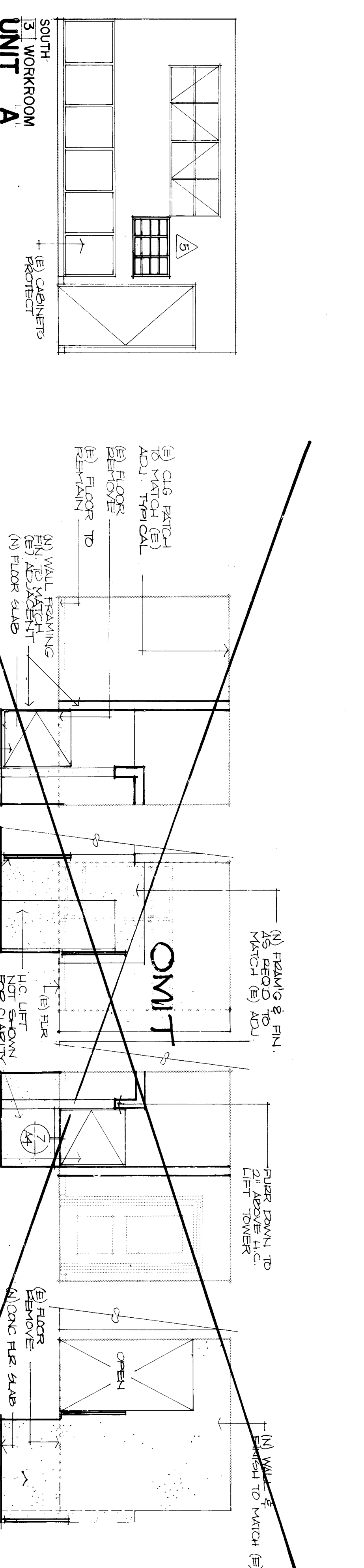


ROBERT F. STUHR  
ARCHITECT INC.

3121 CALIFORNIA AVE.  
BAKERSFIELD, CA 93304  
(805) 327-1632

ROBERT F. STUHR AIA C-1610  
WILLIAM J. MELBY AIA C-16835  
DANNY E. ORDIZ AIA C-14728



- NOTES**
1. VENTILATING UNIT (U)
  2. REMOVE (E) COUNTER TOP/ SPLASH
  3. REPLACE W/ (N) LAM. PLAS.
  4. REMOVE (E) HTR. CUT, CAB & PATCH ALL LINES, VENTS & PENETRATIONS F.V. (E)
  5. REMOVE (E) CORRBOARD REPLACE W/ (N) VINYL COVERED TACKABLE BOARD
  6. (N) CARPET W/ BASE PREPARE (E) SURFACE
  7. (N) CHALKBOARD PROTECT
  8. (N) VINYL COVERED WALLBOARD
  9. (N) SOAP DISPENSER
  10. (N) MIRROR STAINLESS STEEL
  11. (E) TOILET TO REMAIN
  12. REMOVE (E) TOILET
  13. REMOVE (E) PARTITION/ DOORS AS REQUIRED FIN. W/ 4" CONC. SLAB
  14. REMOVE (E) SINK
  15. REMOVE (E) TOILET AS SHOWN
  16. TOWEL SHOOTTO MATCH (E)
  17. REMOVE (E) METAL WEATHER STRIP
  18. REPLACE W/ NEW
  19. (E) PASTER PATCH AS REQUIRED, PAINT.
  20. (E) T. BAR CLG. REPLACE BROKEN/ STAINED
  21. (N) 3/4" x 2 1/2" WOOD TRIM
  22. REMOVE (E) DRINKING FOUNTAIN REPLACE
- TOILET NOTES**
1. E TOILET TO REMAIN
  2. (N) CER. TILE FLOOR THIN SET SLOPE TO (E) DRAIN LOC.
  3. (N) TOILET PARTITIONS / DOOR PATCH (E) WALLS AS REQD. MATCH (E) CONDITIONS.
  4. RE (E) LAV. TO MEET H. C. REQUIREMENTS.
  5. (N) GRAB BARS
  6. (N) TOILET PAPER DISPENSER
  7. (N) ELECTRIC HAND DRYER
  8. (N) SOAP DISPENSER
  9. (N) MIRROR STAINLESS STEEL
  10. (E) TOILET TO REMAIN
  11. REMOVE (E) TOILET
  12. REMOVE (E) PARTITION/ DOORS AS REQUIRED FIN. W/ 4" CONC. SLAB
  13. REMOVE (E) SINK
  14. REMOVE (E) TOILET AS SHOWN
  15. TOWEL SHOOTTO MATCH (E)
  16. REMOVE (E) METAL WEATHER STRIP
  17. REPLACE W/ NEW
  18. (E) PASTER PATCH AS REQUIRED, PAINT.
  19. (N) LAM.
  20. (N) CER. TILE MAINS THIN SET
  21. (N) URINALS

- GEN. NOTES**
1. ALL HATCH TONE DRAWINGS ARE E. AND TO REMAIN AS IS U. O. N.
  2. ALL HATCH TONE DRAWINGS ARE R. TO BE REMOVED U. O. N.
  3. ALL FILL TONE DRAWINGS ARE N. U. O. N.

1/4" INTERIOR ELEVATIONS  
PIONEER DRIVE SCHOOL MODERNIZATION  
BAKERSFIELD CITY SCHOOL DISTRICT  
BAKERSFIELD, KERN COUNTY, CALIFORNIA

|           |     |
|-----------|-----|
| JOB NO.   | 661 |
| DATE      |     |
| CHECKED   |     |
| DATE      |     |
| OF SHEETS |     |

|           |           |
|-----------|-----------|
| MARK DATE | REVISIONS |
|           |           |
|           |           |
|           |           |
|           |           |