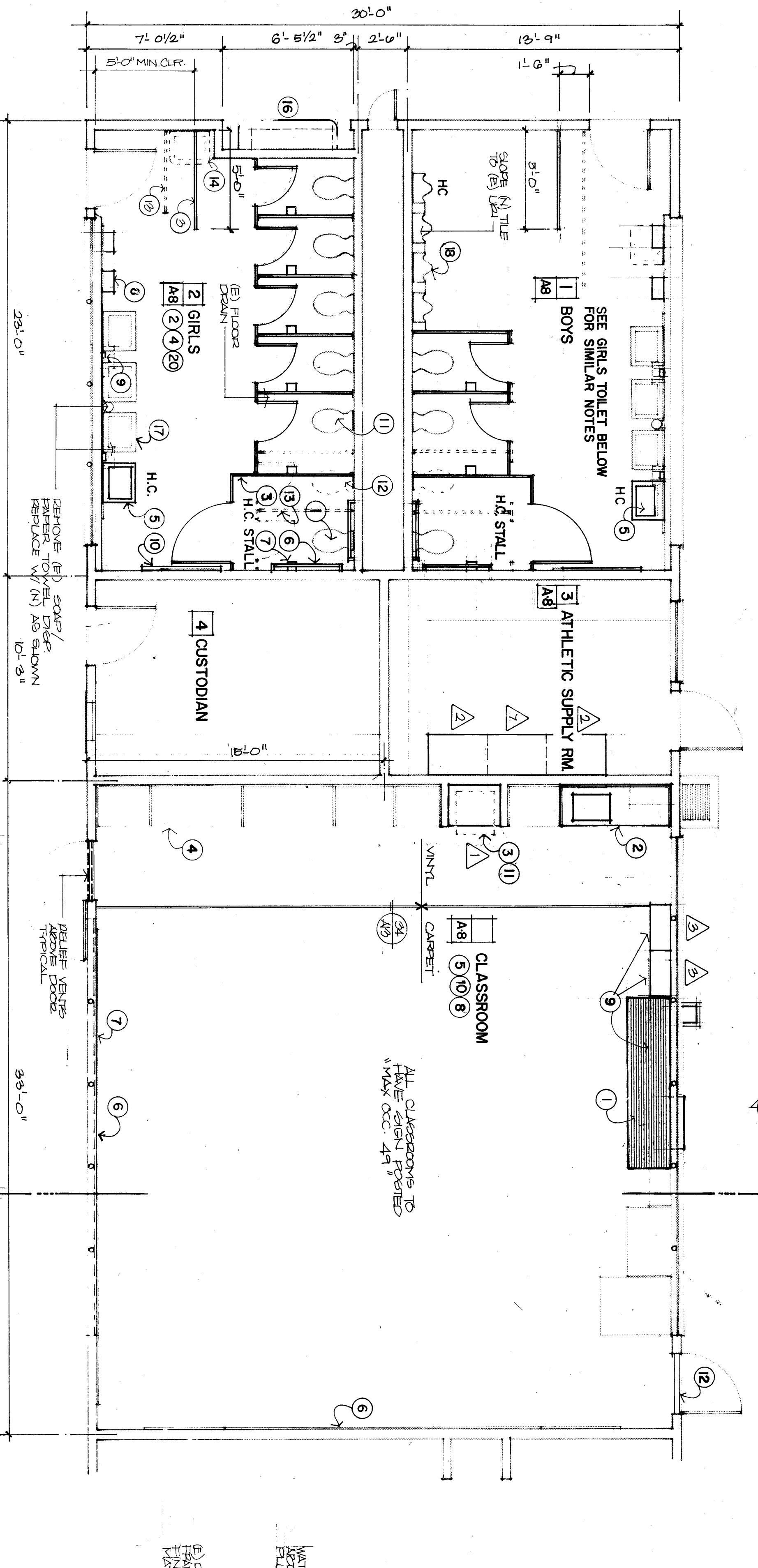
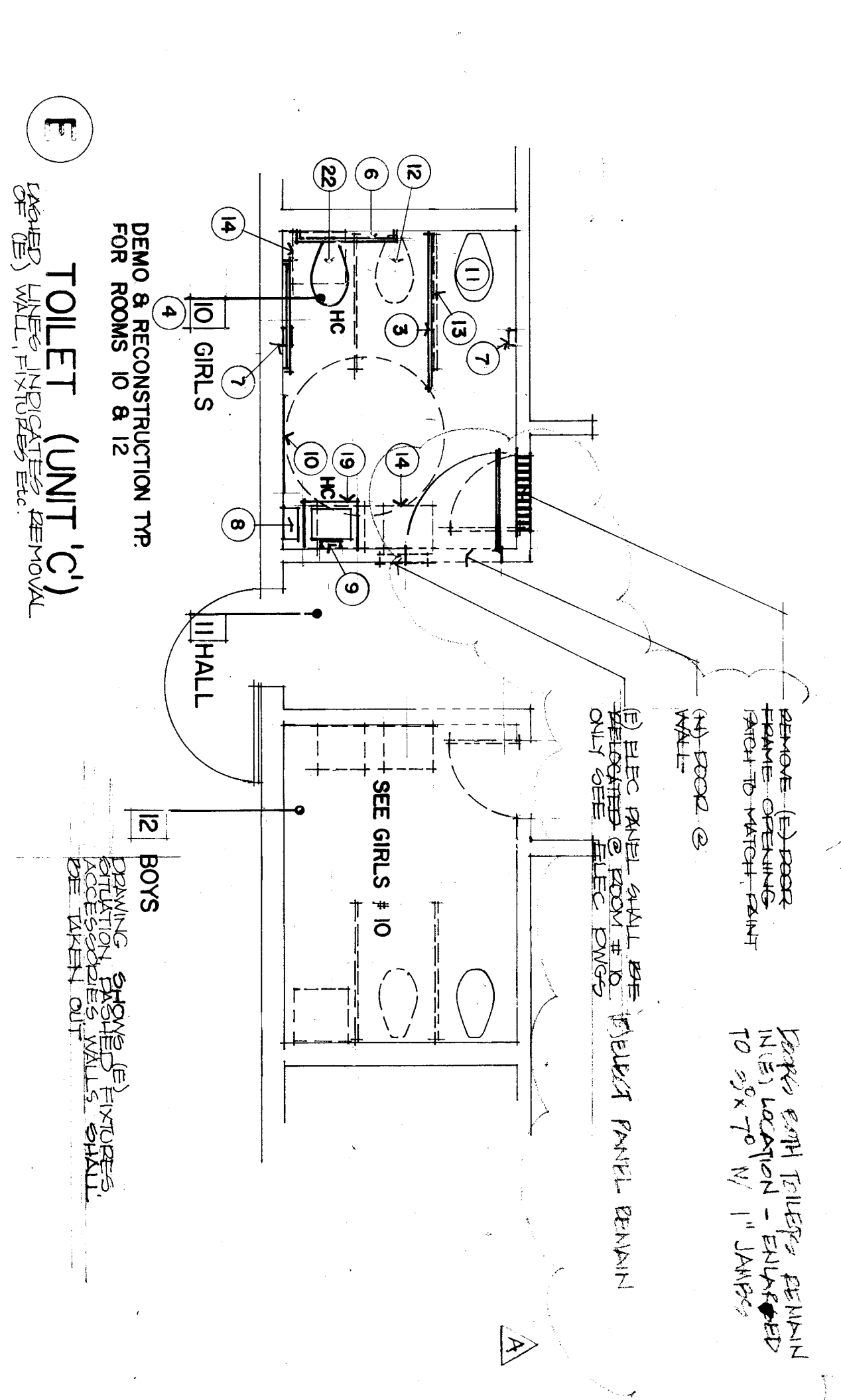


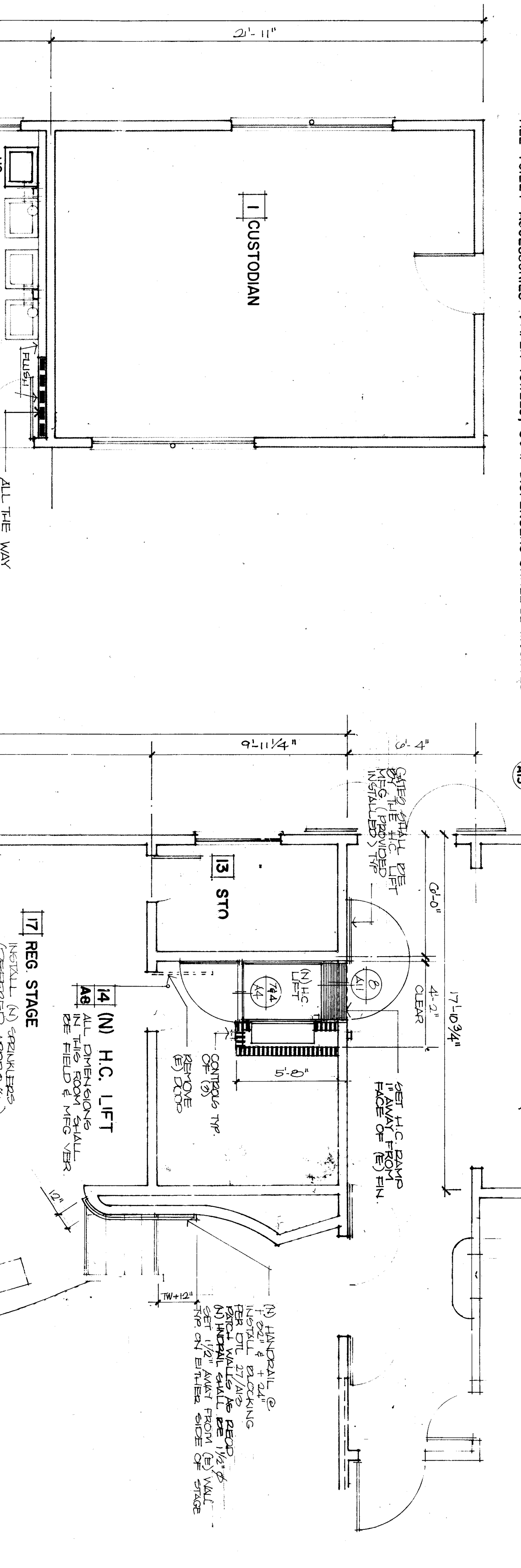
B TEACHERS AREA (UNIT B)



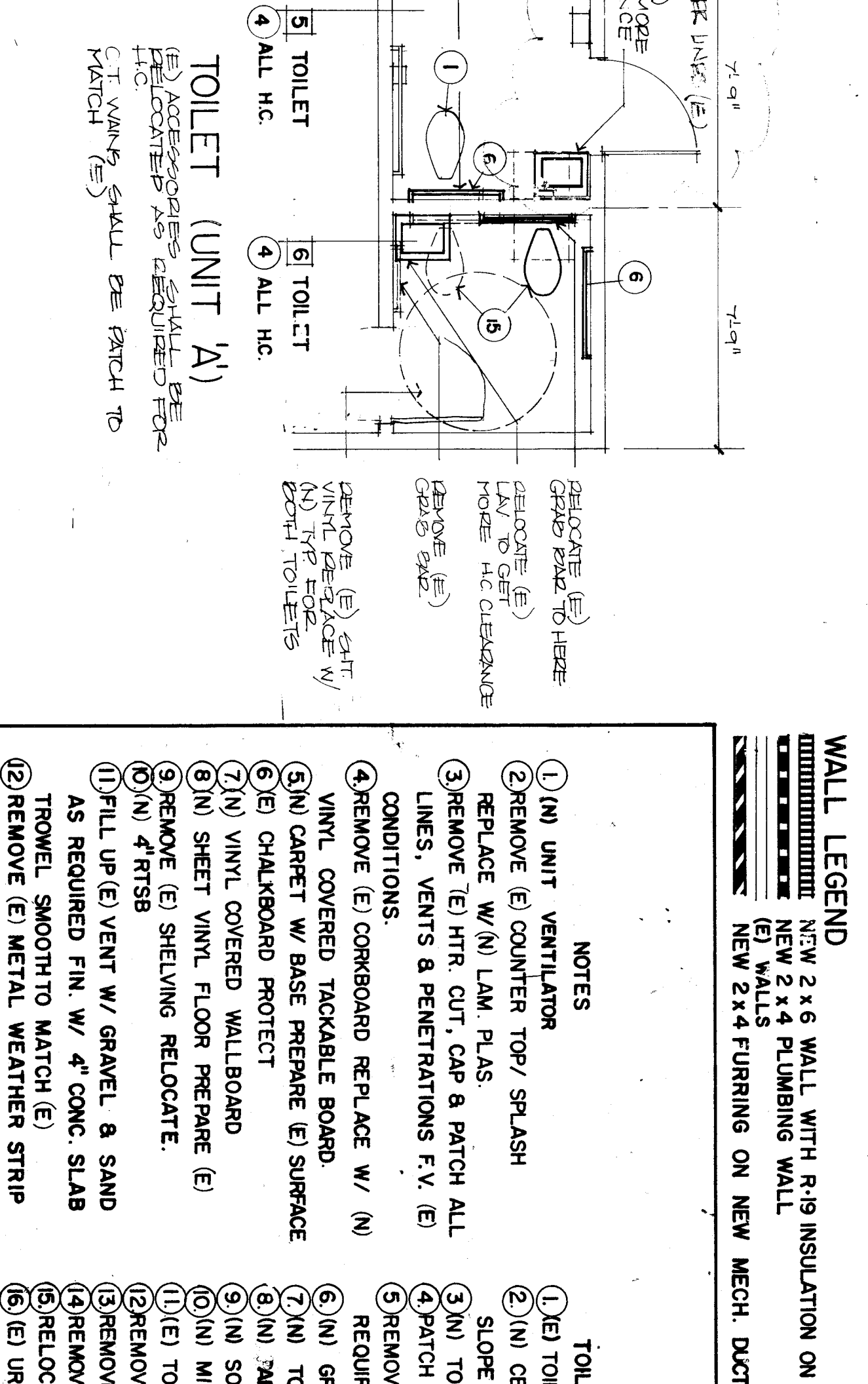
A TOILETS (UNIT E) & TYPICAL CLASSROOM



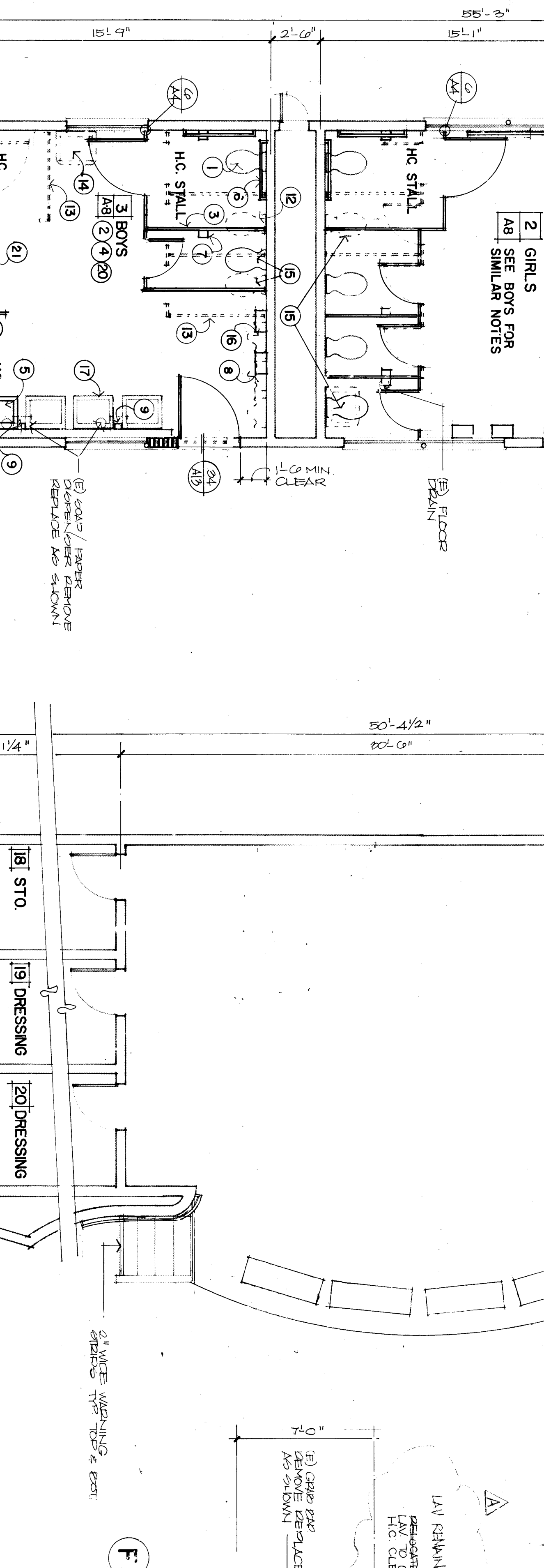
F TOILET (UNIT C)



D H.C. LIFT & STAGE (UNIT B)



F TOILET (UNIT A)



C TOILET (UNIT H)

WALL LEGEND
NEW 2x6 WALL WITH R-19 INSULATION ON EXT WALLS
NEW 2x4 PLUMBING WALL
NEW 2x4 FLOORING ON NEW MECH. DOTS.

NOTES
1 (N) UNIT VENTILATOR
2 REMOVE (E) COUNTER TOP/ SPLASH
3 REPLACE W/ (N) LAM. PLAS.
4 REMOVE (E) HTR. CUT. CAP & PATCH ALL LINES, VENTS & PENETRATIONS F.V. (E)
5 REMOVE (E) CORBOARD REPLACE W/ (N) VINYL COVERED TACKABLE BOARD
6 (N) CARPET W/ BASE PREPARE (E) SURFACE
7 (N) CHALKBOARD PROTECT
8 (N) VINYL COVERED WALLBOARD
9 (N) SHEET VINYL FLOOR PREPARE (E)
10 REMOVE (E) SHELVING RELOCATE.
11 TILL UP (E) VENT W/ GRANUL & SAND AS REQUIRED FIN. W/ 4 CONC. SLAB
12 REMOVE (E) METAL WEATHER STRIP
13 REPLACE W/ NEW
14 (E) PLASTER PATCH AS REQUIRED, PAINT
15 (E) T BAR CLG. REPLACE BROKEN/ STAINED PANELS WITH (N) INSTALL (N) RH INSU.
16 (N) 3/4" x 12-1/2" WOOD TRIM
17 REMOVE (E) BRINKING POUNTAIN REPLACE
18 REMOVE (E) SINK REPLACE WITH (N)

TOILET NOTES
1 (E) TOILET TO REMAIN ADD PROVISIONS FOR H.C.
2 (N) CER. TILE FLOOR THIN SET
3 SLOPE TOILET/BATH LOC.
4 (N) TOILET PARTITIONS / DOOR
5 PATCH (E) WALLS AS REQD. MATCH (E)
6 REMOVE (E) LAV. RESET TO MEET H.C. REQUIREMENTS
7 (N) GRAB BARS
8 (N) TOILET PAPER DISPENSER
9 (N) TAPER TOWEL DISPENSER
10 (N) SOAP DISPENSER
11 (E) TOILET TO REMAIN
12 REMOVE (E) TOILET
13 REMOVE (E) PARTITION / DOORS
14 REMOVE (E) SINK
15 RELOCATE (E) SINK
16 REMOVE (E) TOILET AS SHOWN
17 (E) URINALS REMOVE
18 (E) URINALS
19 (N) LAWS
20 (N) CER. TILE WAINS. THIN SET
21 (N) URINALS
22 (N) TOILET PER H.C. REQS.

ALL H.C. STALLS, LAVS, URINALS SHALL COMPLY TO H.C. REQS. PER SHEET A13
ALL TOILET ACCESSORIES PAPER TOWELS, SOAP DISPENSERS SHALL BE MOUNTED PER DETAIL