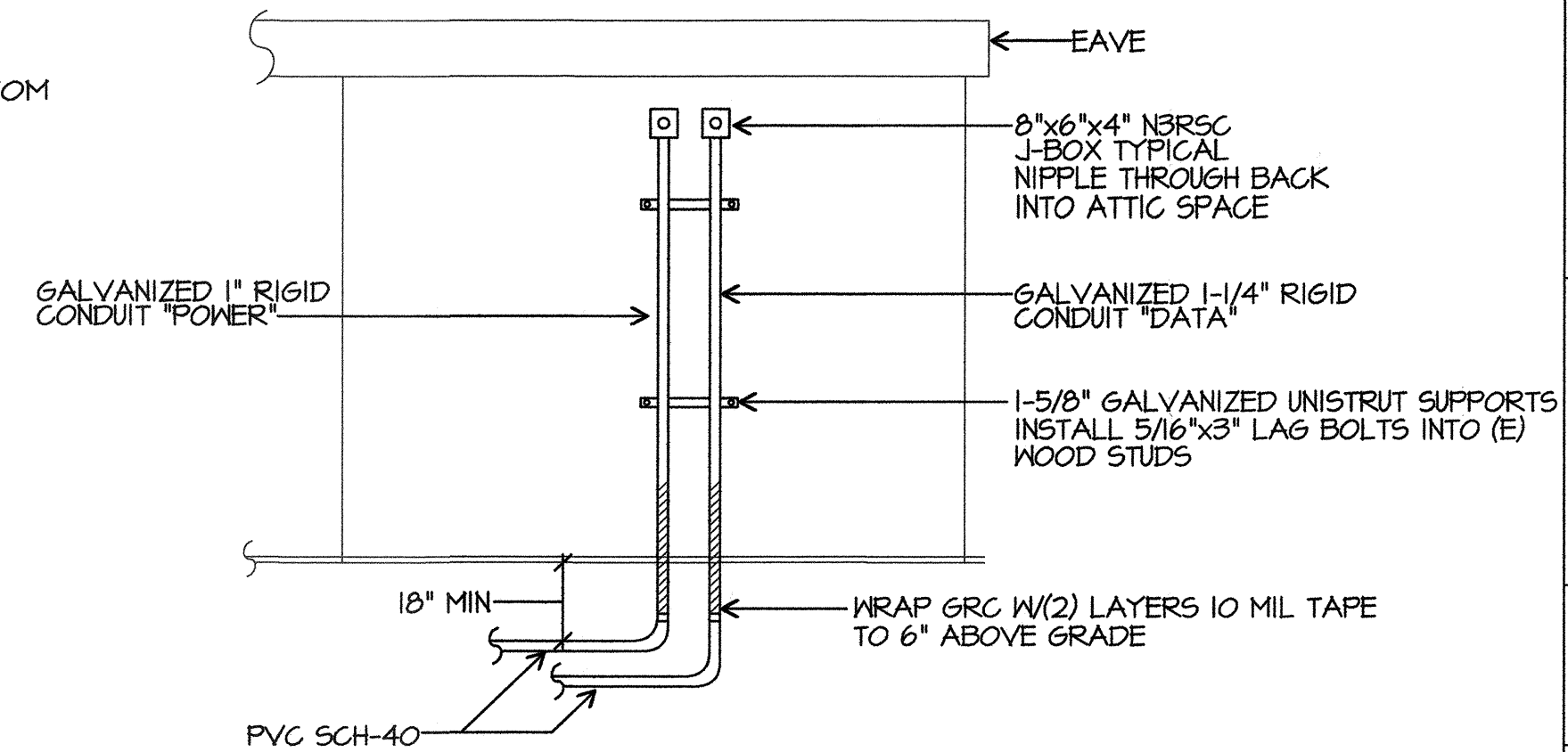
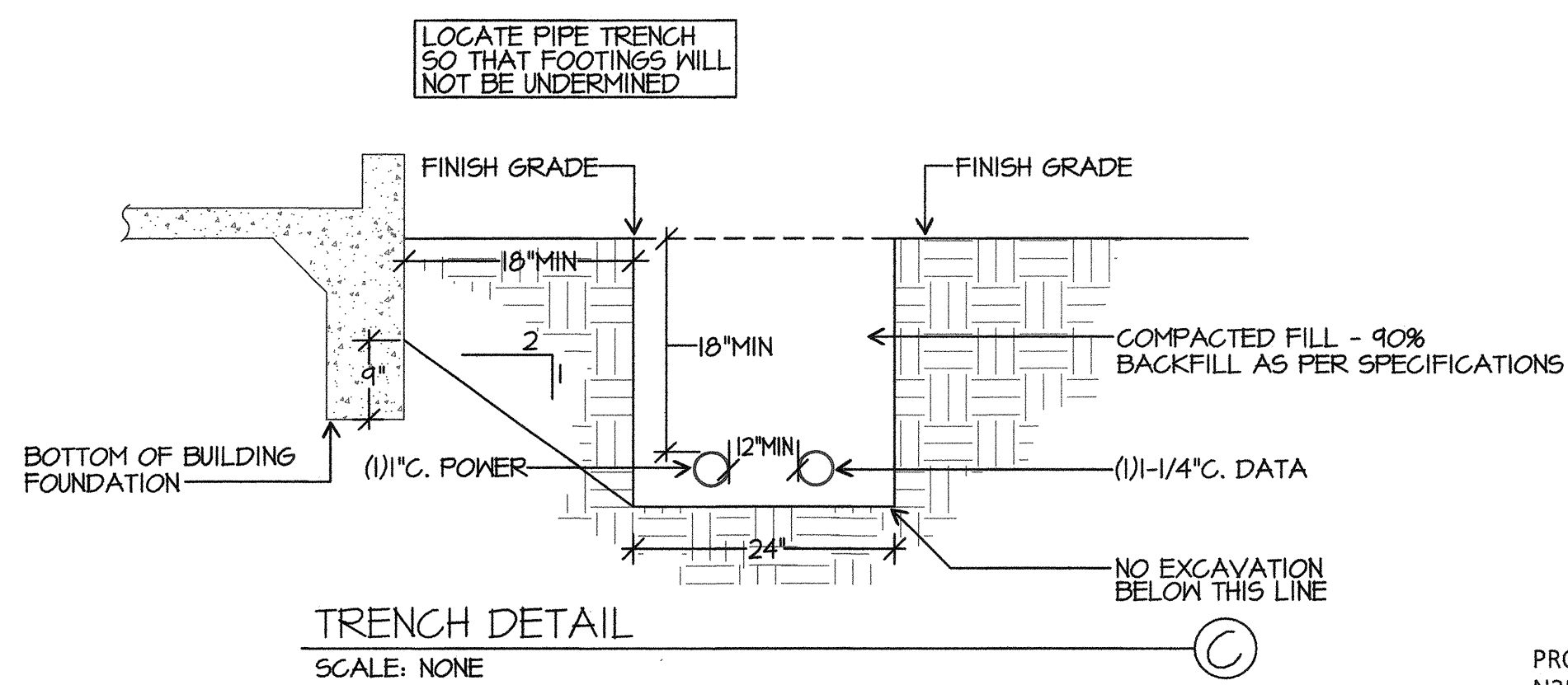


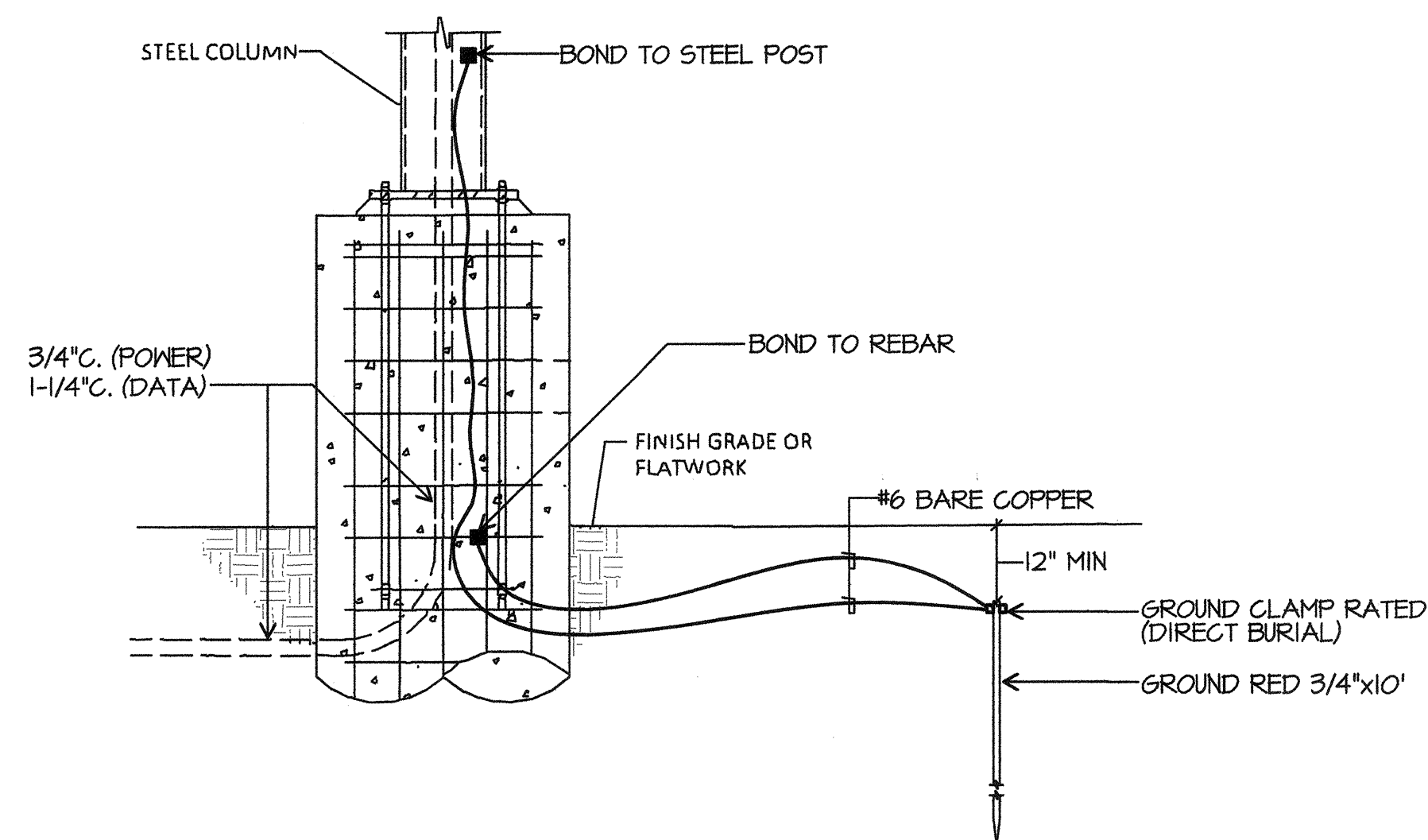
FLUSH PULLBOX DETAIL SCALE: NONE (B)



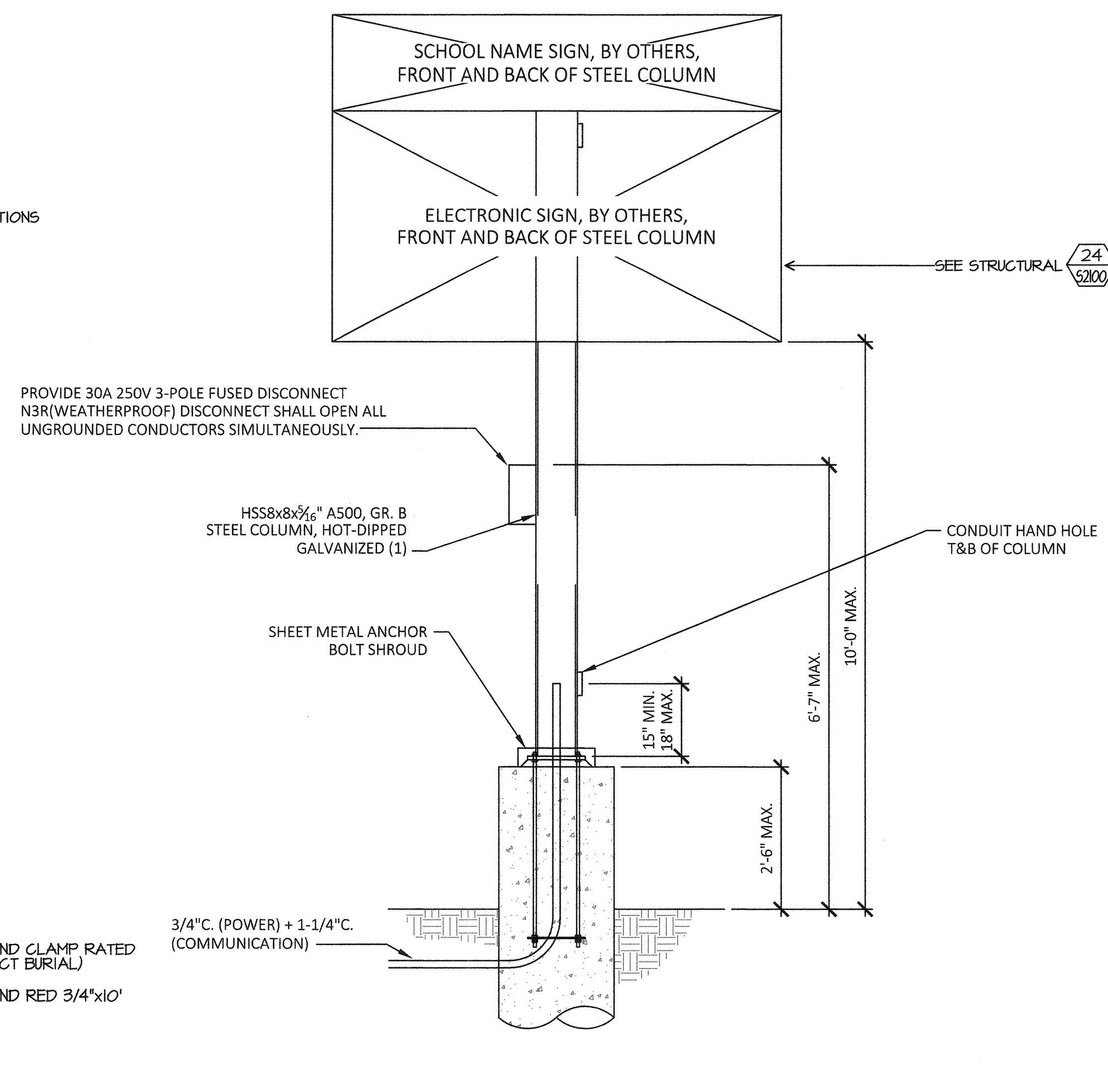
PARTIAL EXTERIOR WALL ELEVATION SCALE: NONE (A)



TRENCH DETAIL SCALE: NONE (C)

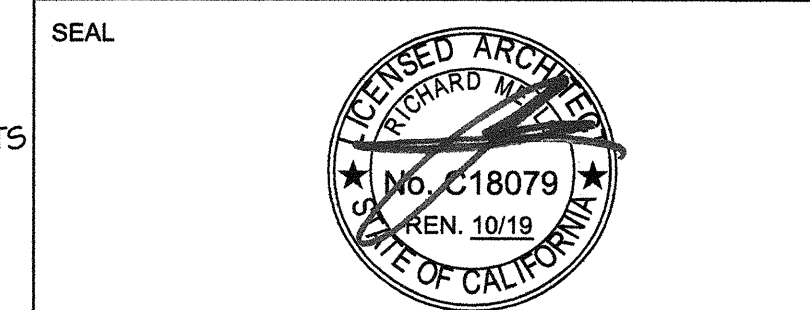


GROUNDING + BONDING DETAIL SCALE: NONE (E)



ELECTRONIC SIGN ELEVATION SCALE: NONE (D)

PRIME CONSULTANT
IBI ARCHITECTURE PLANNING
 San Luis Obispo
 4119 Broad Street, Suite 210
 San Luis Obispo, CA 93401
 805.546.0433 fax: 805.546.0504
 ibigroup.com



COPYRIGHT: Any reproduction or distribution for any purpose other than authorized by IBI Group is forbidden.
 COPYRIGHT 2018 IBI GROUP

REVISIONS			
NO.	DATE	APPRD.	DESCRIPTION

CONSULTANT
JMPE
 ELECTRICAL ENGINEERING
 LIGHTING DESIGN
 CA REGISTRATION NO. B13088
 10176
 156 W. ALAMAR AVE.
 SUITE B
 SANTA BARBARA, CA 93105
 (805) 569-0218
 FAX (805) 569-2405
 email: jmaloney@jmpe.net
 www.jmpe.net



AGENCY INFORMATION:
 AGENCY TRACKING NO. 63321-329
 FILE NO. 15-6
 IDENTIFICATION STAMP
 DIV. OF THE STATE ARCHITECT
 OFFICE OF REGULATION SERVICES
 03-119029
 AC. FLS. 7/28/18
 DATE NOV 08 2018

BAKERSFIELD CITY SCHOOL DISTRICT

PIONEER DRIVE E.S. - MARQUEE SIGN

4404 PIONEER DR, BAKERSFIELD, CA 93306

OPSC or OSHPD PROJ. NO:
 PROJECT NO: 17146/109642.CO5
 DRAWN BY: Author
 CHK'D BY: Checker
 ISSUE DATE: 09/27/2018

SHEET TITLE

DETAILS

SHEET NUMBER

E-0.1

CONSTRUCTION DOCUMENTS