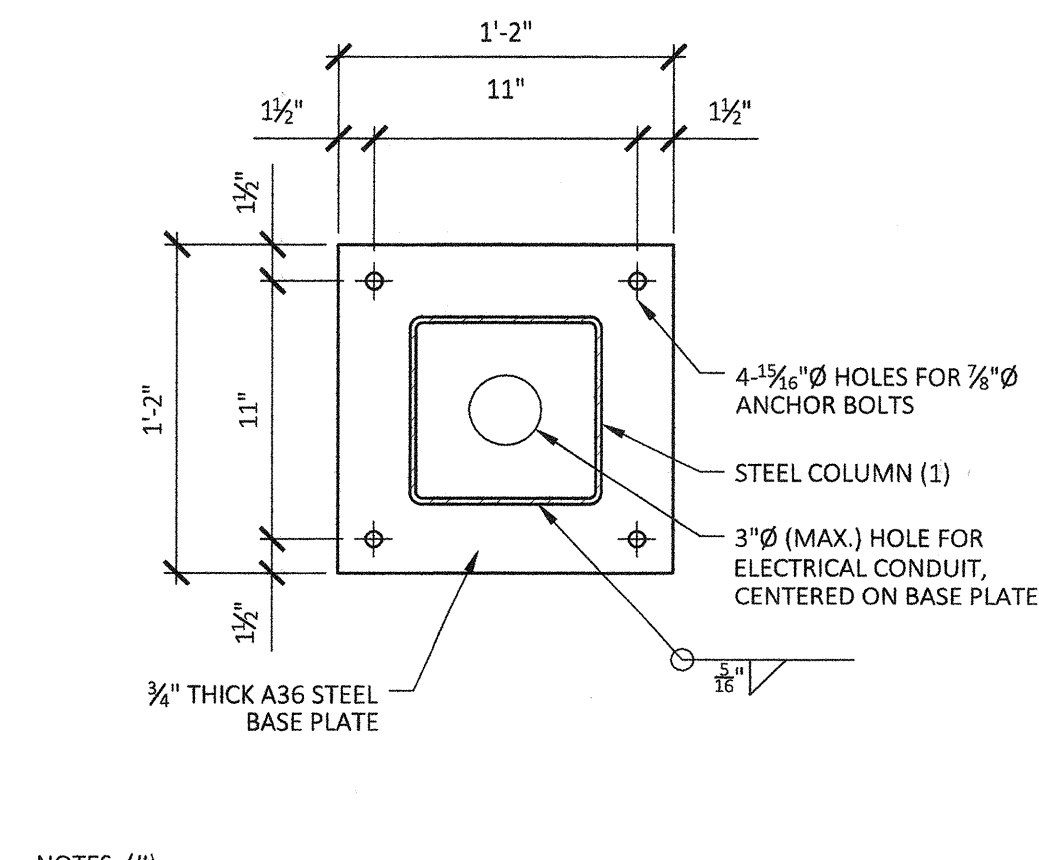


NOTES: (#)  
1. SEE ELECTRONIC SIGN ELEVATION, 24/S2100

**41 CONDUIT HAND HOLE**

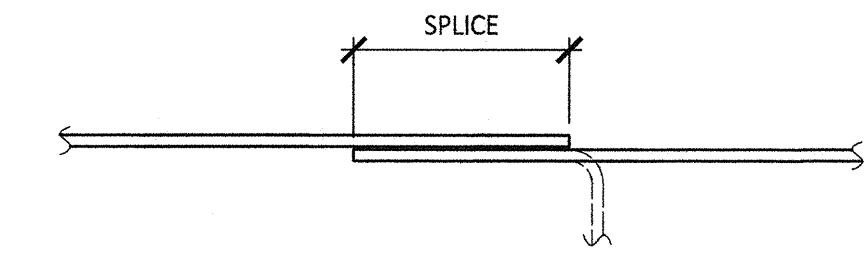
N.T.S.



NOTES: (#)  
1. SEE ELECTRONIC SIGN ELEVATION, 24/S2100

**21 BASE PLATE**

N.T.S.

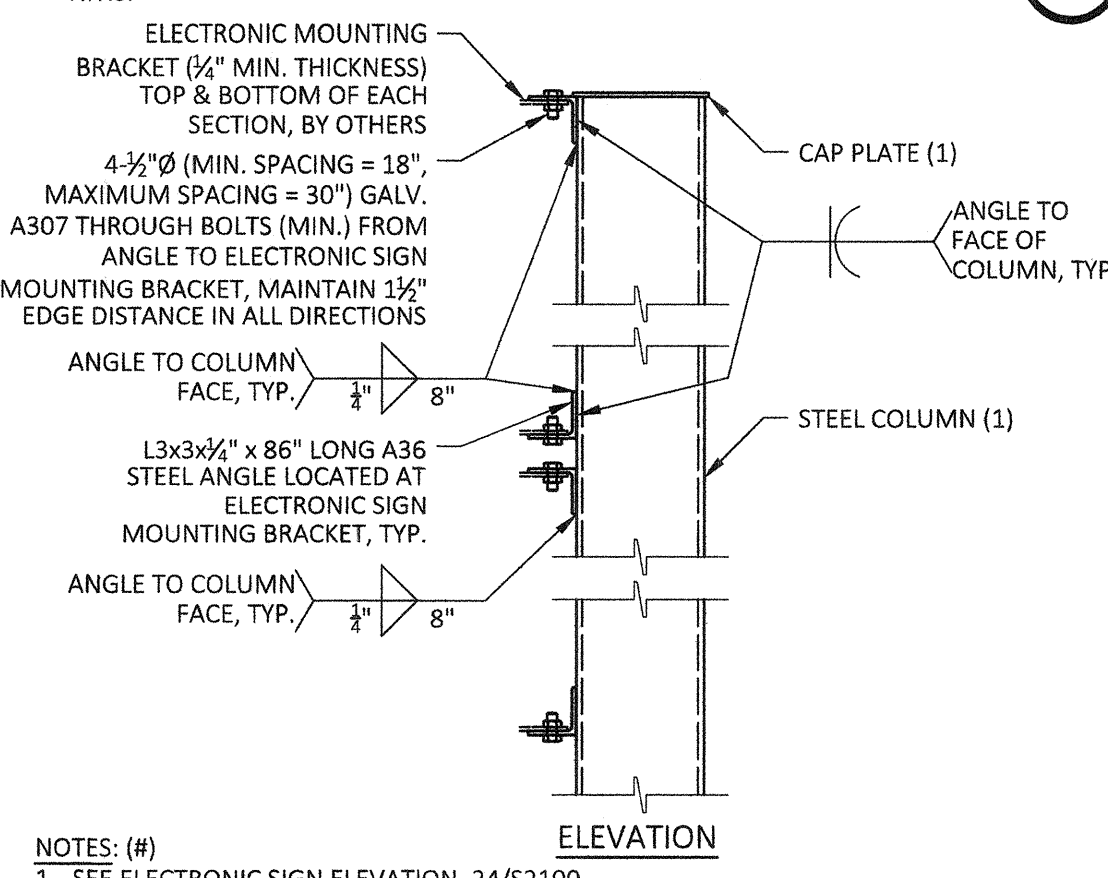


Bar Size	Concrete Reinforcing Splices (1)(2)	
	Class B (3) Splice	$f_c$ (Min.)
#3	21"	40 ksi
#4	27"	40 ksi
#5	51"	60 ksi
#6	61"	60 ksi
#7	71"	60 ksi

NOTES: (#)  
1. LAP LENGTHS LISTED APPLY TO ALL LOCATIONS: VERTICAL, HORIZONTAL, TOP, BOTTOM, AND SITE WALLS  
2. WHERE BARS OF A DIFFERENT SIZE ARE LAPPED, THE LAP LENGTH SHALL BE THE LENGTH REQUIRED BY THE LARGER BAR  
3. ALL SPLICES SHALL BE CONSIDERED CLASS B UNLESS SPECIFICALLY NOTED OTHERWISE

**11 TYPICAL LAP SPLICES**

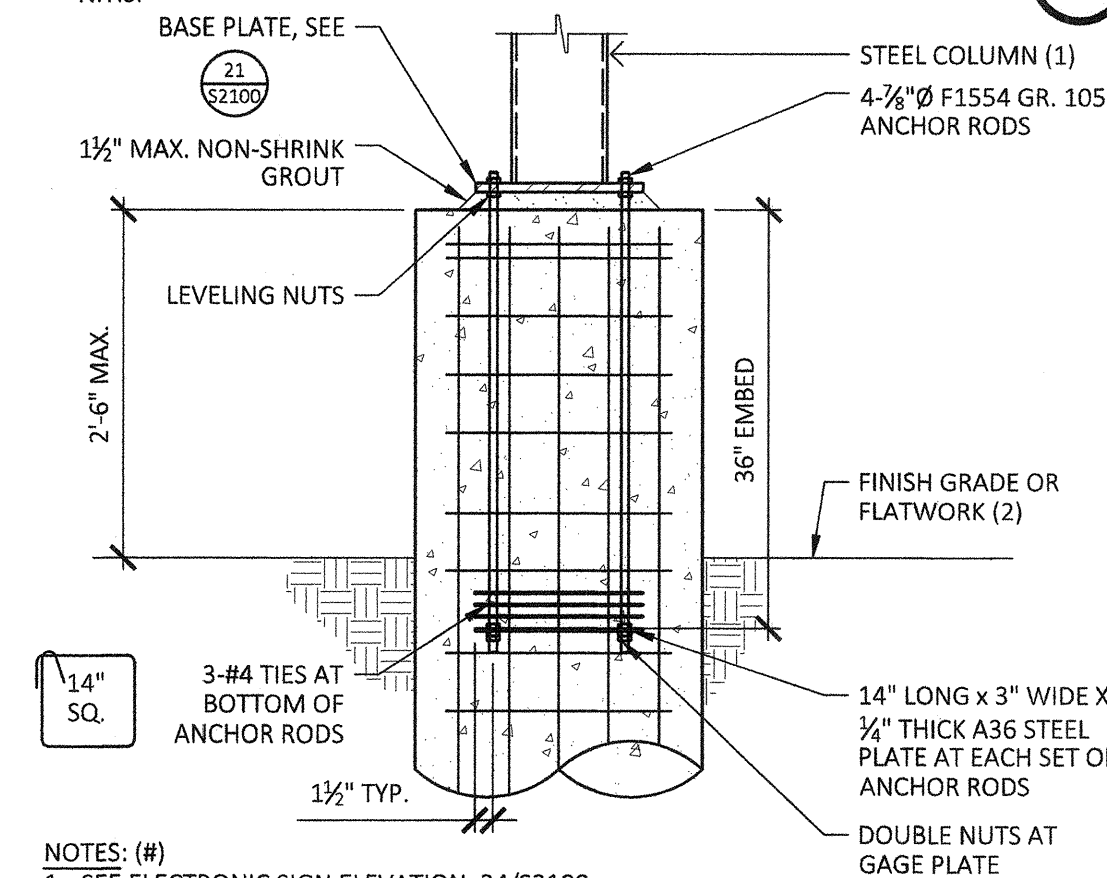
N.T.S.



NOTES: (#)  
1. SEE ELECTRONIC SIGN ELEVATION, 24/S2100  
2. WHERE SIGN IS FRONT AND BACK OF STEEL COLUMN, PROVIDE ANGLES AT EACH FACE

**42 ELECTRONIC SIGN MOUNT**

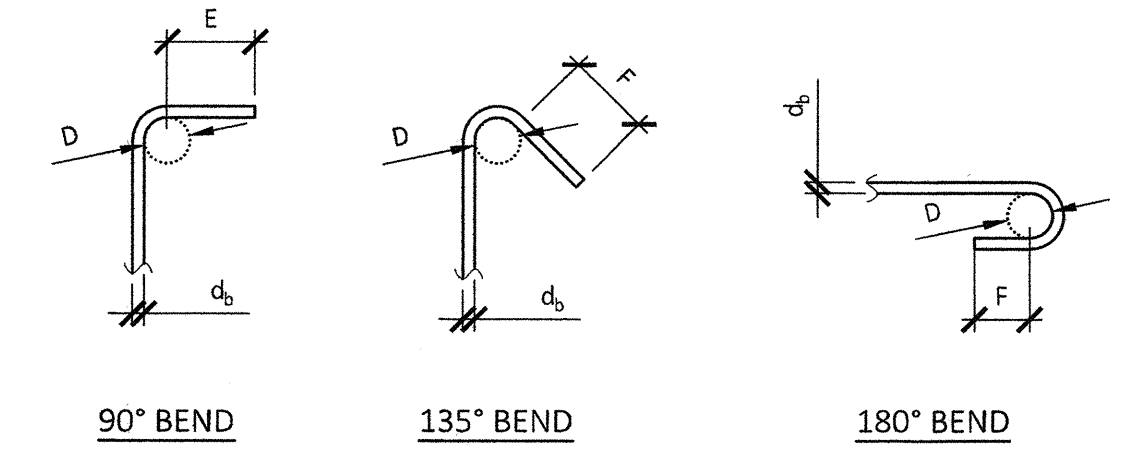
N.T.S.



NOTES: (#)  
1. SEE ELECTRONIC SIGN ELEVATION, 24/S2100  
2. SEE ARCHITECTURAL PLANS

**22 STEEL COL. ANCHORAGE**

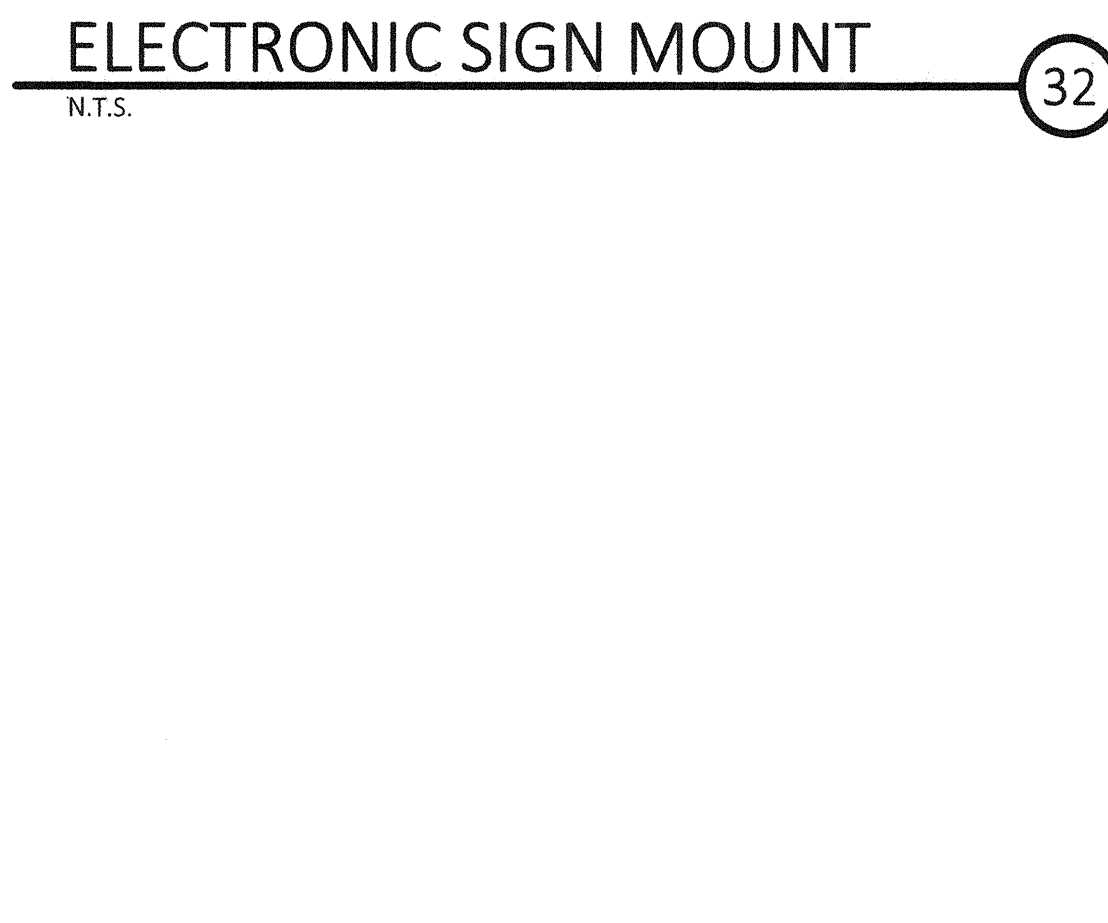
N.T.S.



Bar Size	Dimension of Standard Bends		
	D	E	F (6d) [3" min.]
#3	1 1/2"	2 3/4"	3"
#4	2"	3"	3"
#5	2 1/2"	3 3/4"	3 3/4"

**12 TIE AND STIRRUP BENDS**

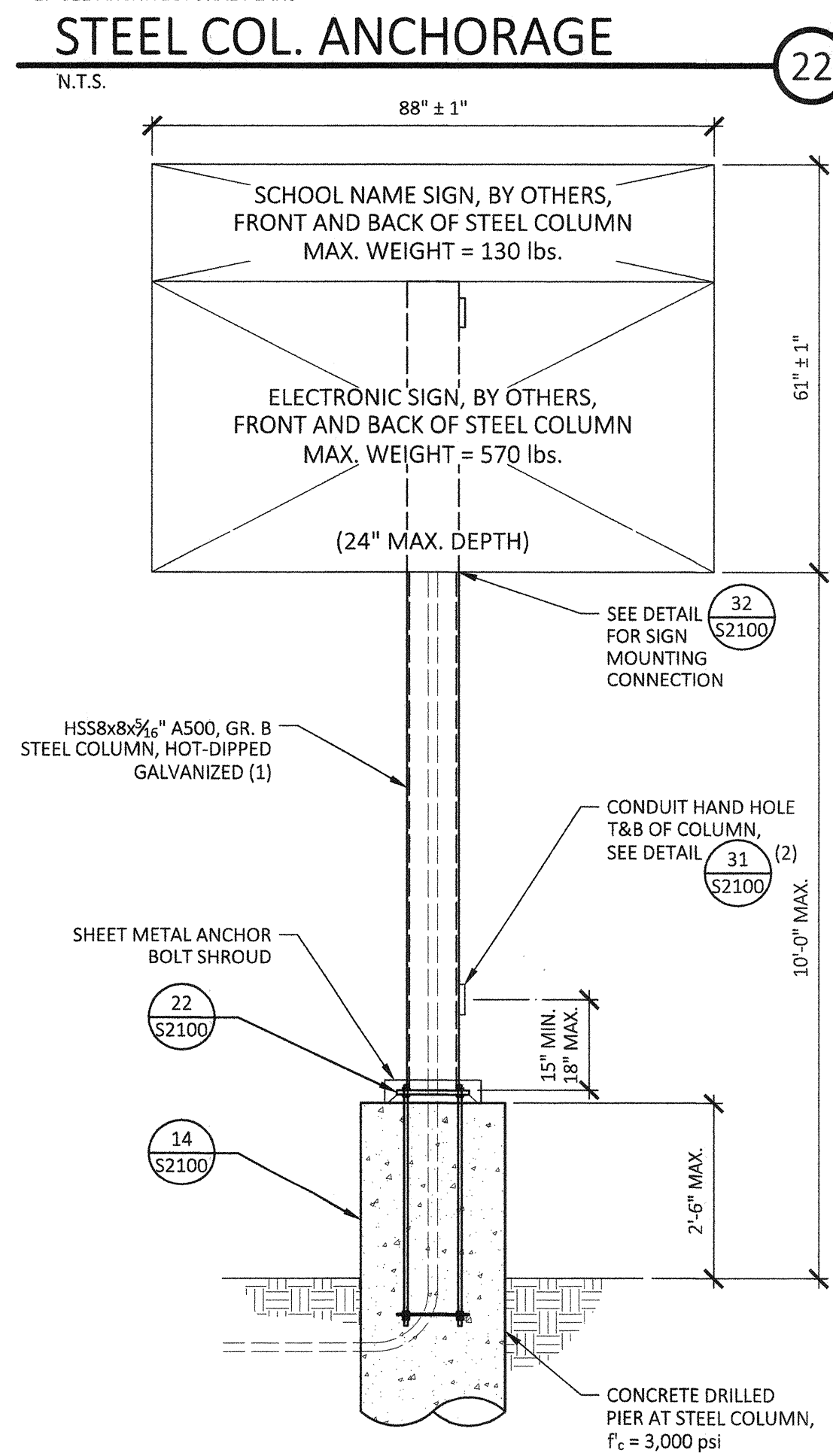
N.T.S.



NOTES: (#)  
1. PROVIDE 1/2" THICK STEEL CAP PLATE AT TOP OF COLUMN, WELD TO COLUMN WITH 1/2" THICK FILLET WELD, ALL AROUND  
2. CONTRACTOR TO PROVIDE LOCATIONS OF CONDUIT HAND HOLE IN STEEL SHOP DRAWINGS

**43 ELECTRONIC SIGN ELEV.**

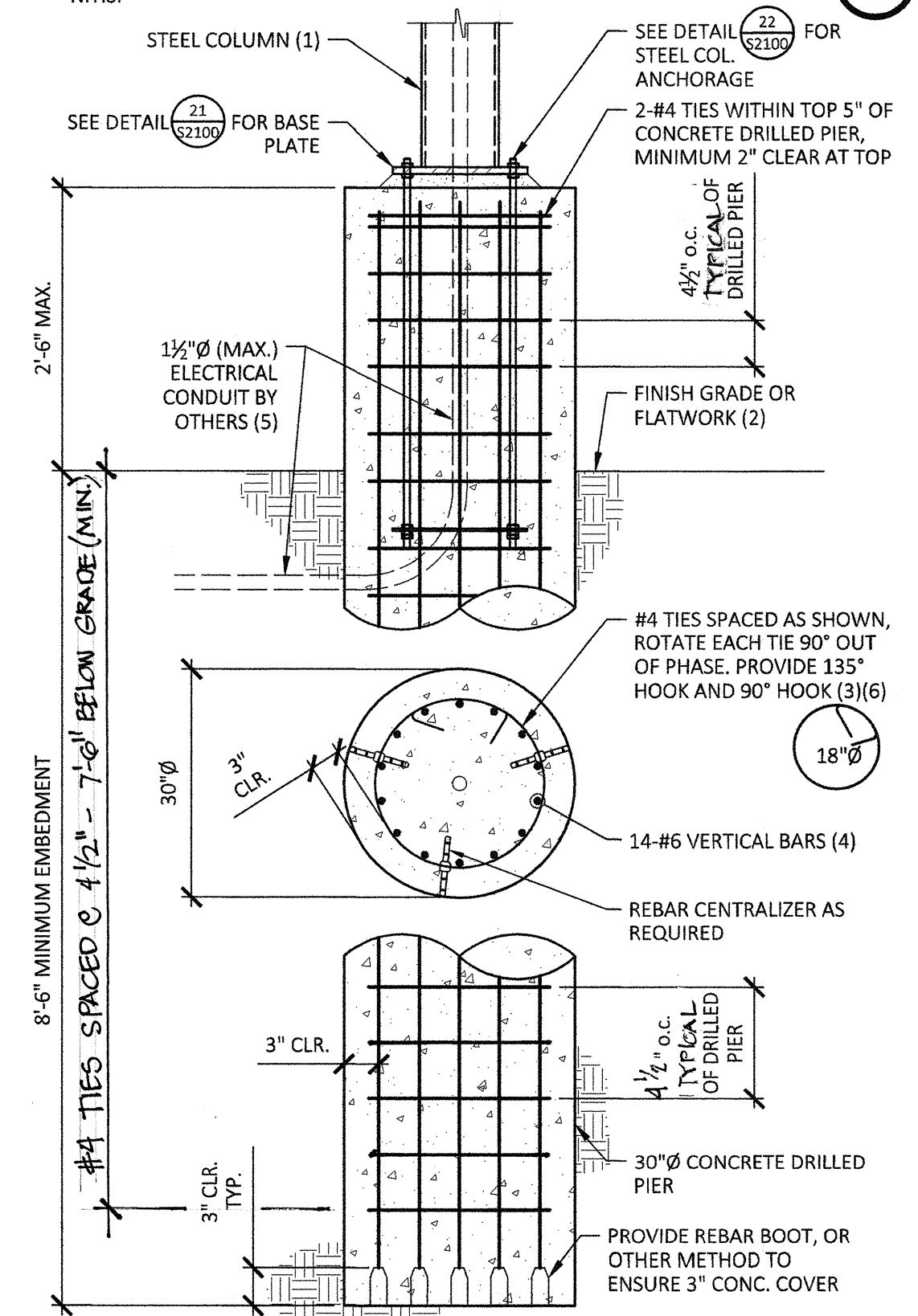
N.T.S.



NOTES: (#)  
1. SEE ELECTRONIC SIGN ELEVATION, 24/S2100  
2. SEE ARCHITECTURAL PLANS  
3. SEE DETAIL 12/S2100 FOR REINFORCEMENT BEND REQUIREMENTS  
4. SPLICE REINFORCEMENT PER 11/S2100 AS REQUIRED. ALL SPLICES ARE TO BE CLASS B.  
5. CONDUIT SHALL BE CENTERED ON DRILLED PIER AND BASE PLATE. LOCATION OF CONDUIT APPROACH SHOWN GRAPHICALLY ONLY FOR REFERENCE, VERIFY ACTUAL CONDITIONS IN FIELD  
6. TIE SHALL OVERLAP ITSELF A MINIMUM OF 6" AND HOOK AT VERTICAL BARS. MAXIMUM OF THREE VERTICAL BAR SPACINGS BETWEEN HOOKS

**24 CONCRETE DRILLED PIER**

N.T.S.

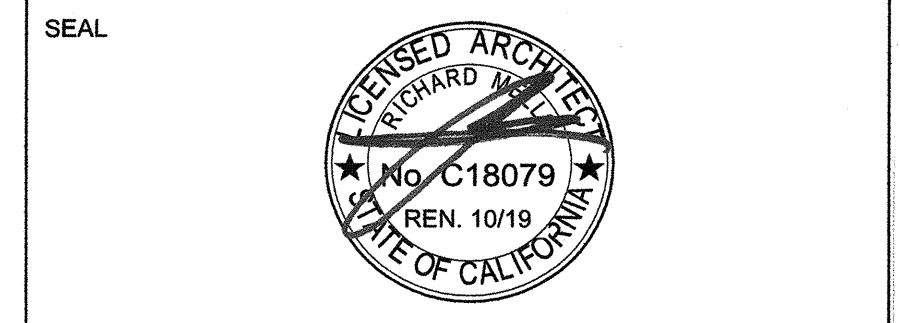


NOTES: (#)  
1. SEE ELECTRONIC SIGN ELEVATION, 24/S2100  
2. SEE ARCHITECTURAL PLANS  
3. SEE DETAIL 12/S2100 FOR REINFORCEMENT BEND REQUIREMENTS  
4. SPLICE REINFORCEMENT PER 11/S2100 AS REQUIRED. ALL SPLICES ARE TO BE CLASS B.  
5. CONDUIT SHALL BE CENTERED ON DRILLED PIER AND BASE PLATE. LOCATION OF CONDUIT APPROACH SHOWN GRAPHICALLY ONLY FOR REFERENCE, VERIFY ACTUAL CONDITIONS IN FIELD  
6. TIE SHALL OVERLAP ITSELF A MINIMUM OF 6" AND HOOK AT VERTICAL BARS. MAXIMUM OF THREE VERTICAL BAR SPACINGS BETWEEN HOOKS

**12 TIE AND STIRRUP BENDS**

N.T.S.

PRIME CONSULTANT  
**IBI** ARCHITECTURE PLANNING  
San Luis Obispo  
4119 Broad Street, Suite 210  
San Luis Obispo, CA 93401  
805.546.0433 fax: 805.546.0504



**COPYRIGHT:**  
Any reproduction or distribution for any purpose other than authorized by IBI Group is forbidden.  
COPYRIGHT 2018 IBI GROUP

REVISIONS			
NO.	DATE	APPRD.	DESCRIPTION

CONSULTANT  
**SSG**  
SMITH STRUCTURAL GROUP, LLP  
211 E. Canyon Way, Suite 200 | 805.439.2110  
San Luis Obispo, CA 93401 | smithstructural.com  
DATE SIGNED: 09.27.18

AGENCY INFORMATION:  
AGENCY TRACKING NO. 63321-329  
FILE NO. 15-6  
IDENTIFICATION STAMP  
DIV. OF THE STATE ARCHITECT  
OFFICE OF REGULATION SERVICES  
03-119029  
DATE: NOV 08 2018

BAKERSFIELD CITY SCHOOL DISTRICT  
**PIONEER DR. E.S. - MARQUEE SIGN**  
4404 PIONEER DR., BAKERSFIELD, CA 93306

OPSC or OSHPD PROJ. NO:

PROJECT NO:	17146/109642.C05
DRAWN BY:	JRD
CHK'D BY:	JMM
ISSUE DATE:	09/27/2018

**STRUCTURAL DETAILS**

SHEET NUMBER  
**S2100**

CONSTRUCTION DOCUMENTS