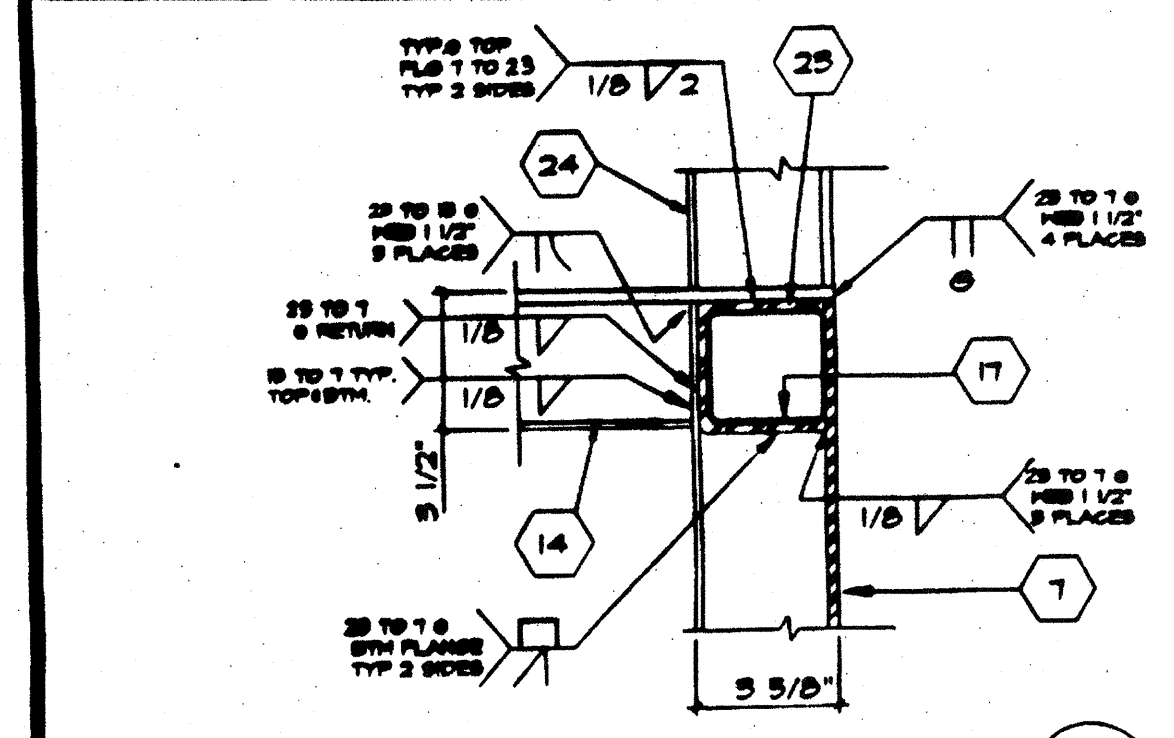
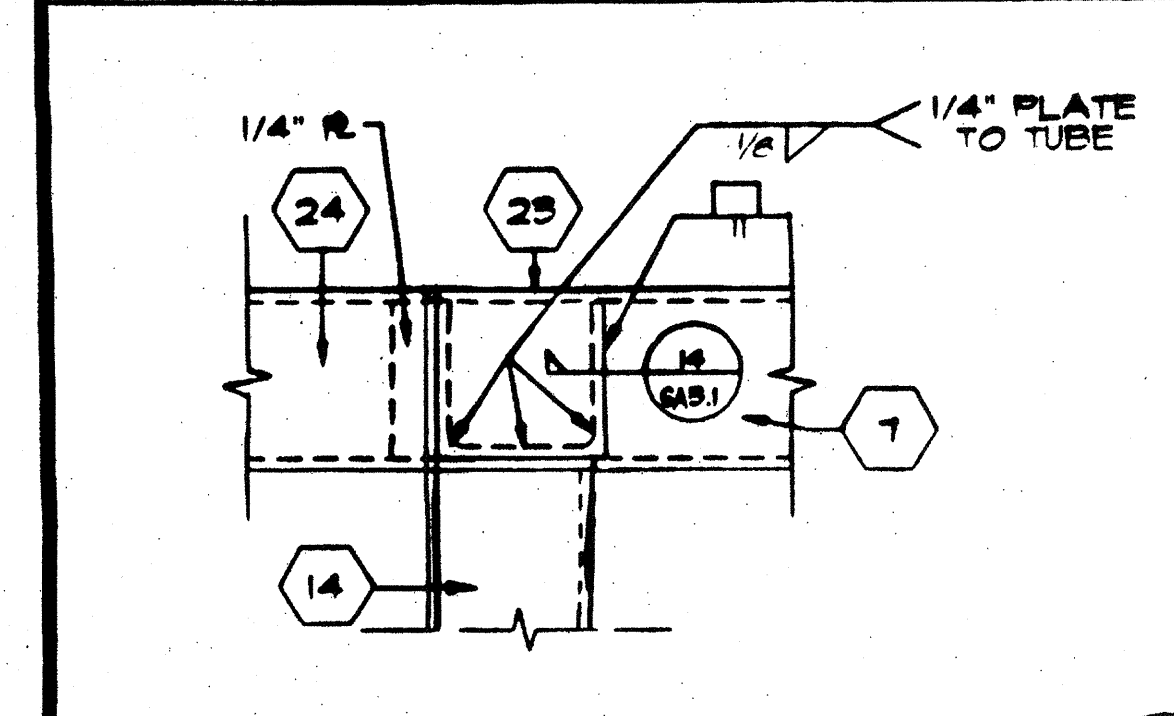


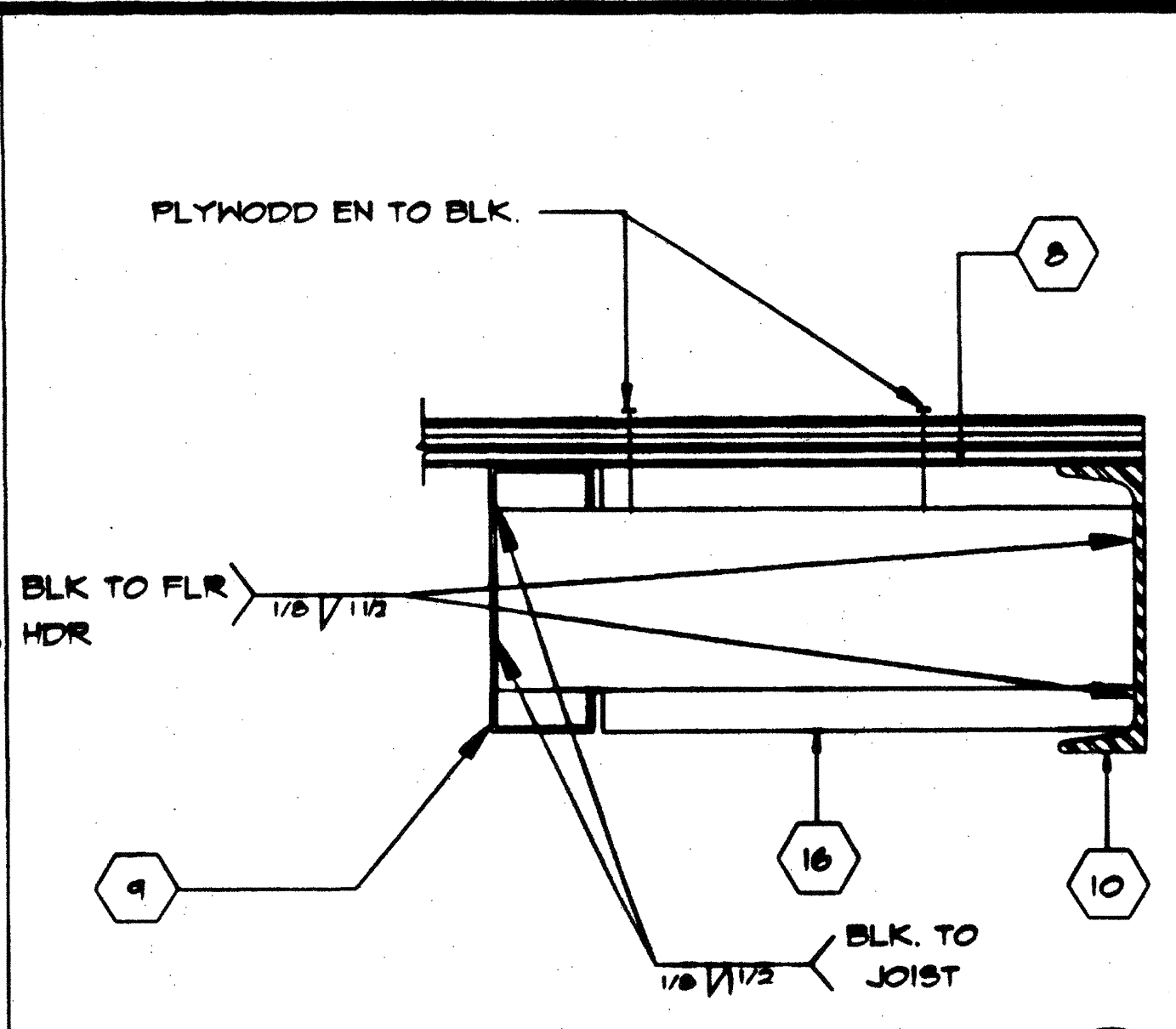
SCALE: 5"=1'
10 ROOF HEADER @ FRONT OVERHANG



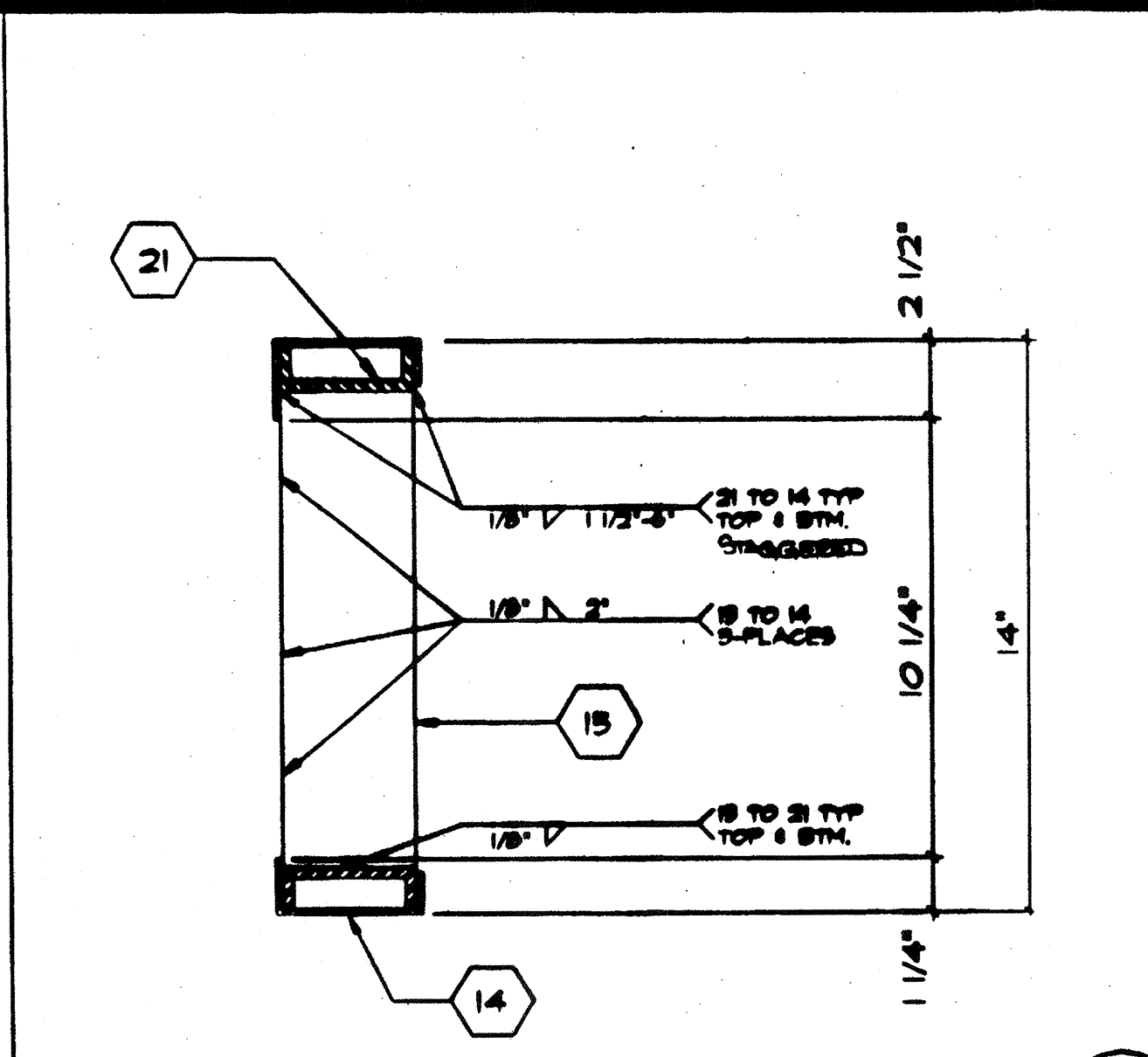
SCALE: NTS
11 STIFFENER SECTION @ FRONT



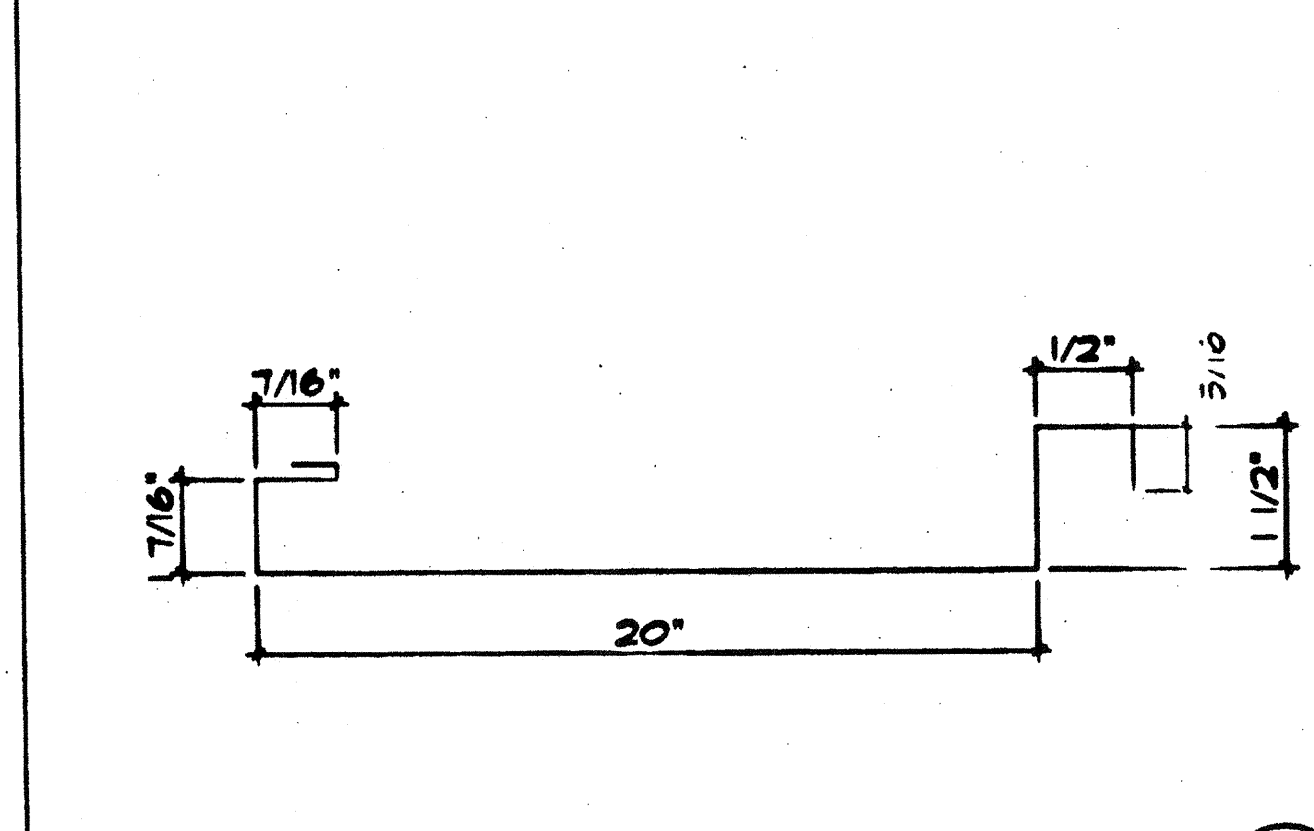
SCALE: 5"=1'
12 COLUMN CAP PLATE



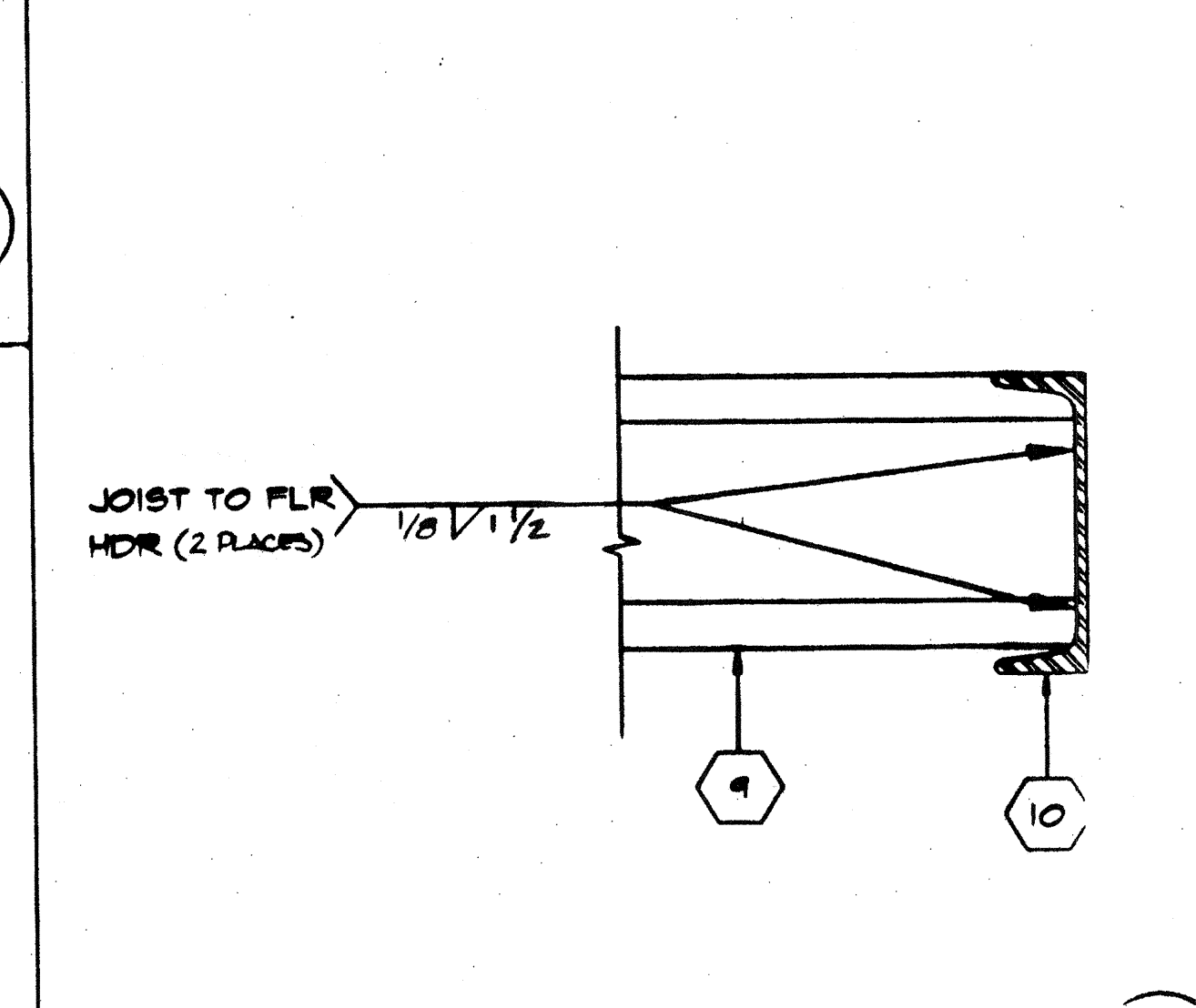
SCALE: 5"=1'
7 BLOCK @ MIDSPAN



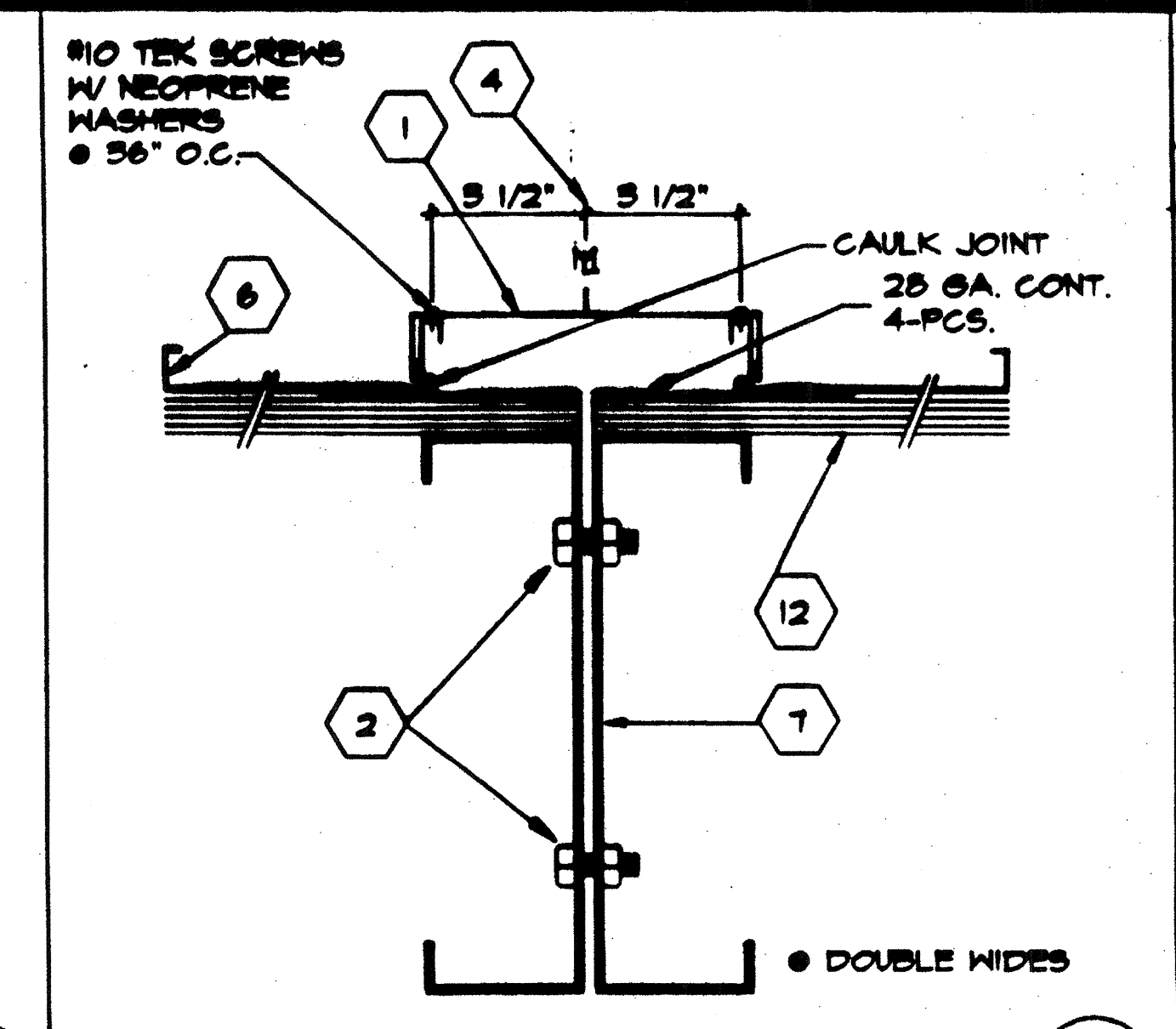
SCALE: 5"=1'
4 MECH. DUCT OPENING IN HEADER



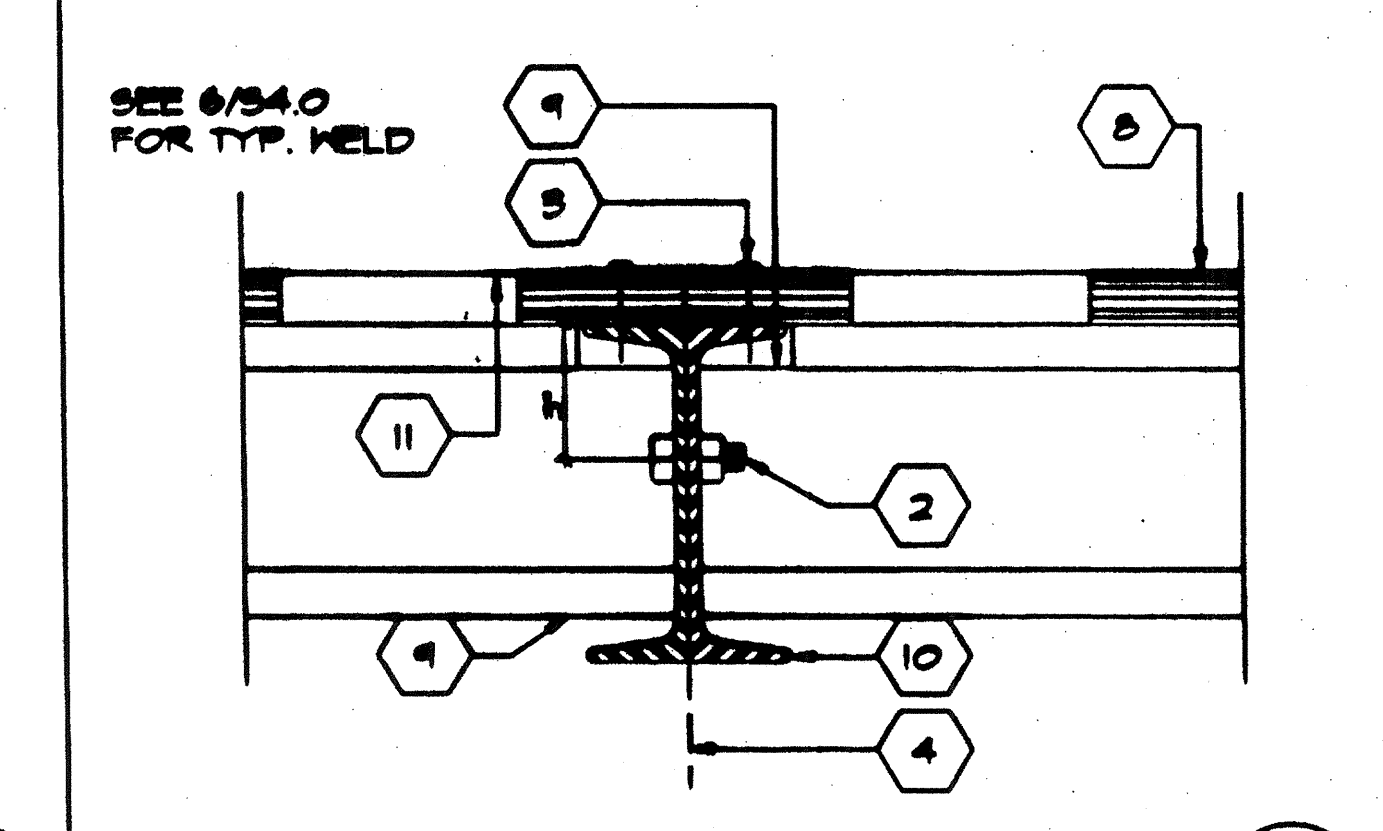
SCALE: NTS
5 ROOF PAN (26GA.)



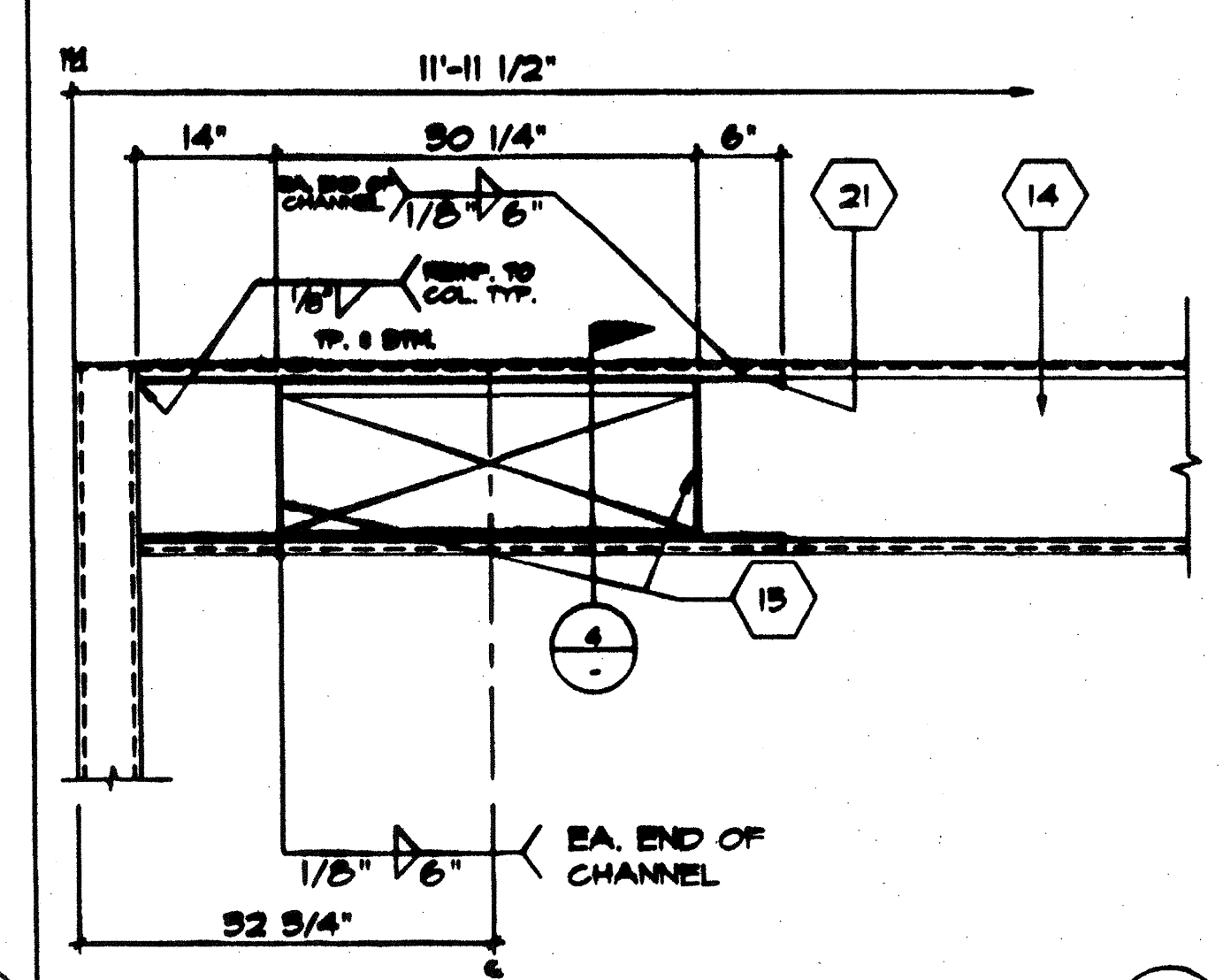
SCALE: 5"=1'
9 FLOOR FRAME/JOIST TO BEAM



SCALE: 5"=1'
1 ROOFING @ MODLINE



SCALE: 5"=1'
2 MODULE JOINT @ FLR.



SCALE: 1"=1'
3 ELEVATION-OPENING

- KEY NOTES**
- 1 CAP CLOSURE @ RIDGE 28GA GALV. W/10 TYPE FASTENERS W/NEOPRENE WASHERS TO RIB BOTH SIDES OF MODLINE. SET CAP IN SEALANT SEE DETAIL.
 - 2 3/8" M.B. ASOT MODULE JOINT (SEE STRUCTURAL PLAN FOR LOCATION) @ 8' O.C.
 - 3 E.N.
 - 4 MODULE JOINT
 - 5 1/4" @ 8' O.C. FULL DEPTH STIFFENER PLATE (SEE 9/55.1)
 - 6 STANDING ROOF SEAM (SEE A2.0)
 - 7 ROOF BEAM (SEE STRUCTURAL) SEE 9/55.1 & 12/55.1
 - 8 PLYWOOD FLOOR SHEATHING
 - 9 FLOOR JOIST 6/55.1
 - 10 FLOOR BEAM (SEE STRUCTURAL 5/55.1)
 - 11 HAND HOLE @ BOLT LOCATION
 - 12 PLYWOOD ROOF SHEATHING
 - 13 NOT USED
 - 14 ROOF HEADER (SEE STRUCTURAL 1/55.1)
 - 15 1/4" STIFFENER PLATE SEE 9/55.1 FOR TYP. WELD
 - 16 "C" BLOCKING SEE 6/55.1
 - 17 10GA. BACK-UP R.
 - 18 NOT USED
 - 19 NOT USED
 - 20 NOT USED
 - 21 3 1/4"X1"X50 1/4" LX10GA. CHANNEL TOP & BOTTOM CENTER OF OPENING
 - 22 NOT USED
 - 23 TUBE STEEL (SEE 11/55.1) STIFFENER COPE TO FIT ROOF BEAM.
 - 24 ROOF BEAM AT OVERHANG SEE 4/55.1

FILE # 15-6
IDENTIFICATION STAMP
DIV. OF THE STATE ARCHITECT
OFFICE OF REGULATION SERVICES
03-118271
AC. FLS. SS. U.
DATE: MAY 9 1996
TRACKING #: 63321-294

REVISIONS	ELECTRICAL	MECHANICAL	STRUCTURAL	ARCHITECT	DIVISION OF THE STATE ARCHITECT

MODTECH INC.
 2830 BARRETT AVE.
 PERRIS, CA. 92572
 PH. (909) 943-4014
 FX. (909) 940-0427
 CONFIDENTIAL - THIS DOCUMENT AND THE INFORMATION CONTAINED HEREIN ARE THE PROPERTY OF MODTECH INC. UNAUTHORIZED COPYING, REPRODUCTION, OR OTHER UNAUTHORIZED USES ARE PROHIBITED.

JOB NO: # 2510 #254 #255
 DRAWN BY: DT.
 DATE: 2/2/96
 CHECKED BY: [Signature]
 DATE: [Signature]
STRUCTURAL DETAILS
S4.0