

Ownership of Documents
 This document, the ideas and designs incorporated herein, as an instrument of Professional Service is the property of Integrated Designs by SOMAM, Inc. and is not to be used, in whole or in part for any other project without written authorization.
 © COPYRIGHT 2014

integrated designs by SOMAM, Inc.
 ARCHITECTURE · ENGINEERING · INTERIOR DESIGN · CONSTRUCTION MANAGEMENT
 601 N. Fresno, Suite 130 - Fresno, California 93710
 Phone (559) 438-0881 Fax (559) 438-0887 E-Mail: design@somam.com
 www.integrateddesigns.com

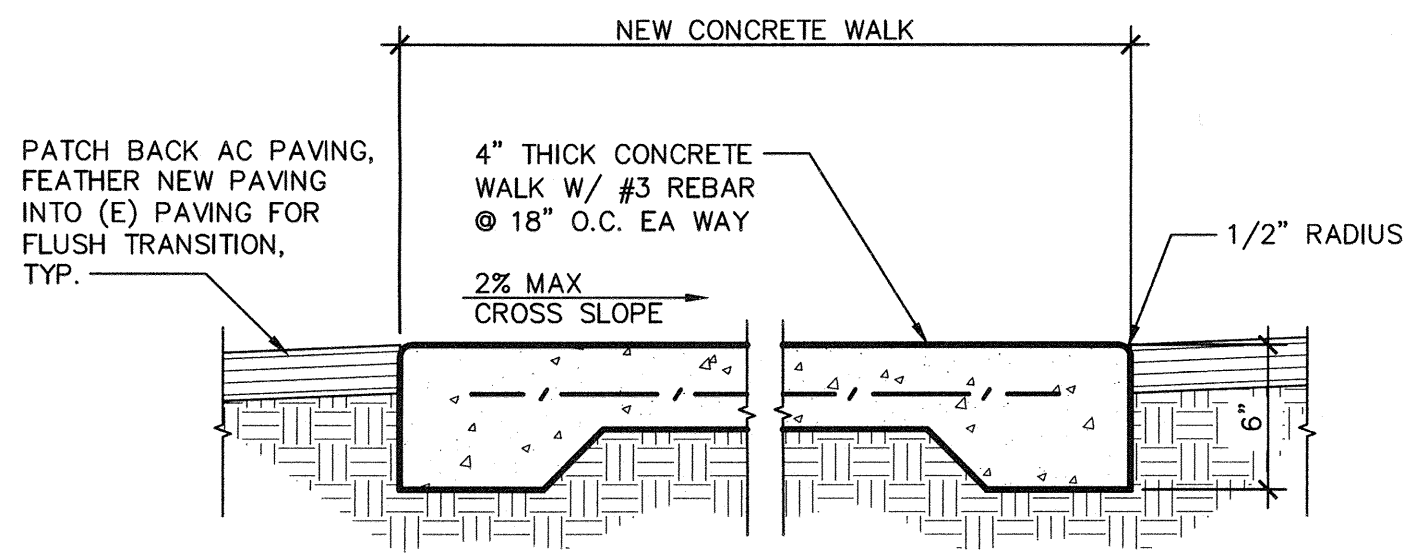
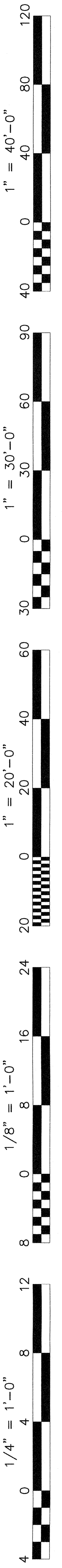
SITE PLAN
PIONEER ELEMENTARY
4 RELOCATABLE CLASSROOMS
 BAKERSFIELD CITY SCHOOL DISTRICT
 4404 PIONEER DRIVE BAKERSFIELD, CA 93306

Issue Date: 04/22/15
 Date: 04/22/15
 Designer: [Signature]
 DPC: [Signature]
 PC: CJM

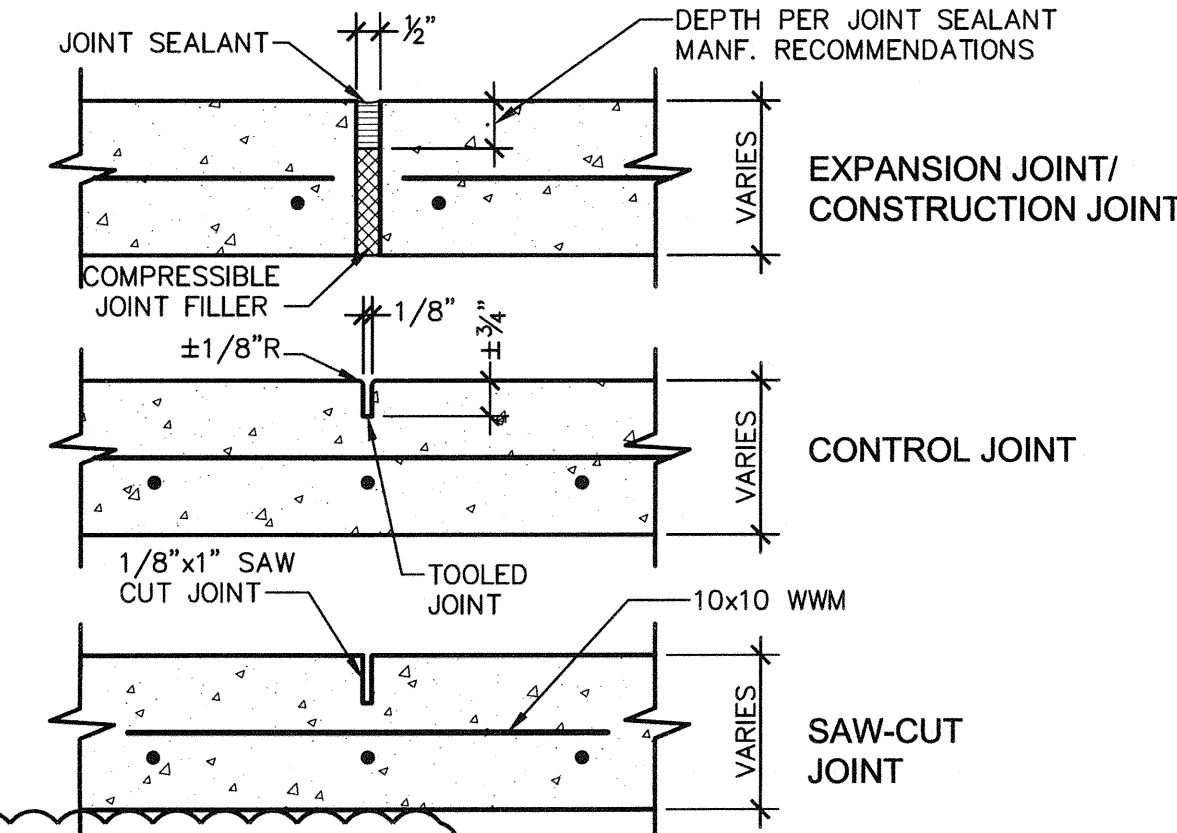
Agency Approval Stamp:
 [Blank]

Stamp(s):
 [Professional Seal: CURTIS E. FLYNN, No. C-29866, State of California]

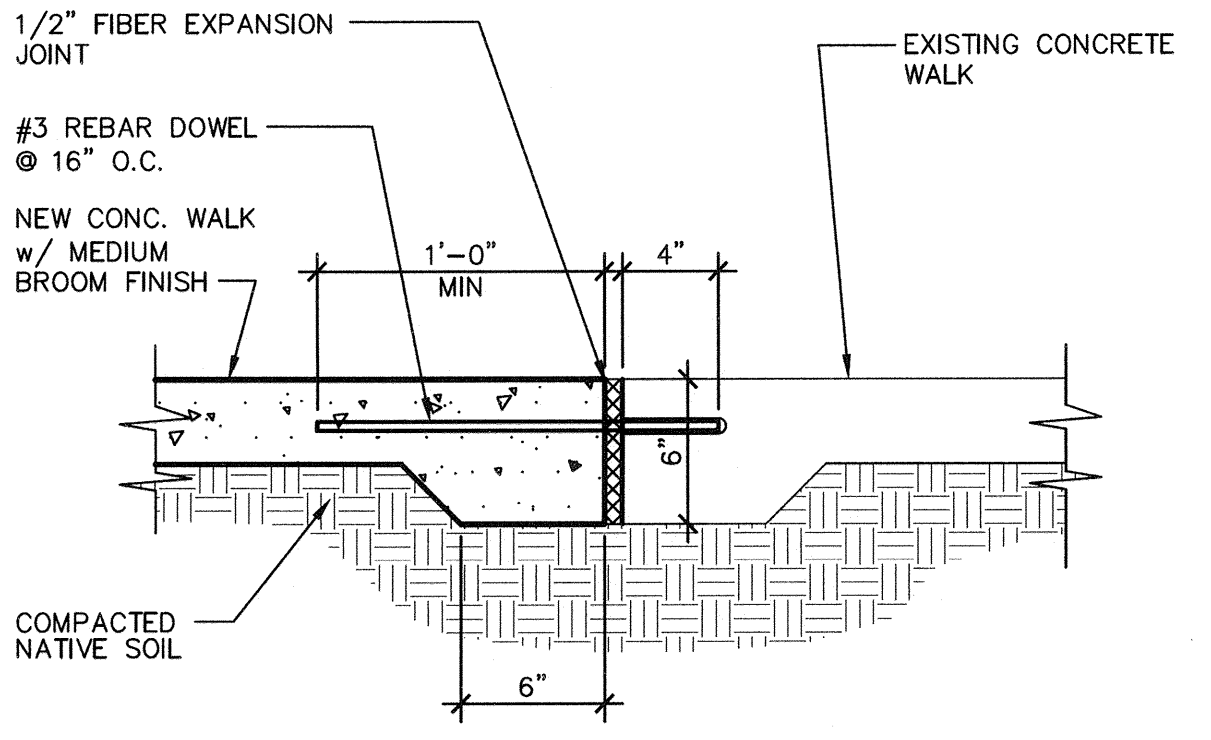
Job No.: **5082**
 Sheet No.: **X-A1**
 Release: CCD #1



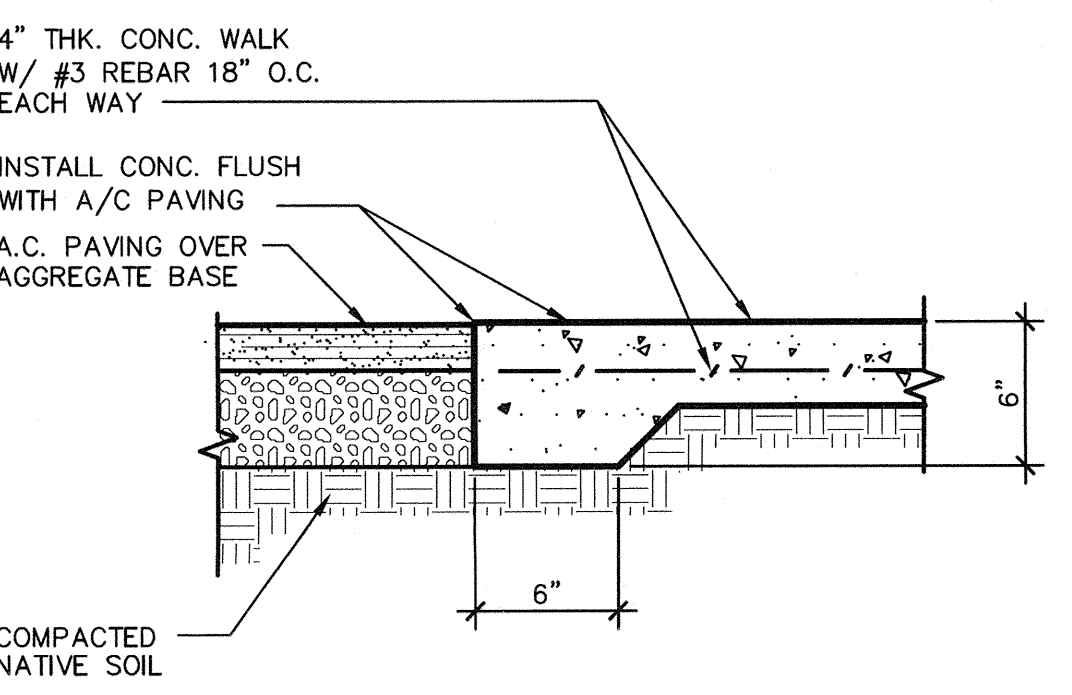
1 TYPICAL CONCRETE WALK
 X-A1 ADS100-15
 SCALE: 1 1/2" = 1'-0"



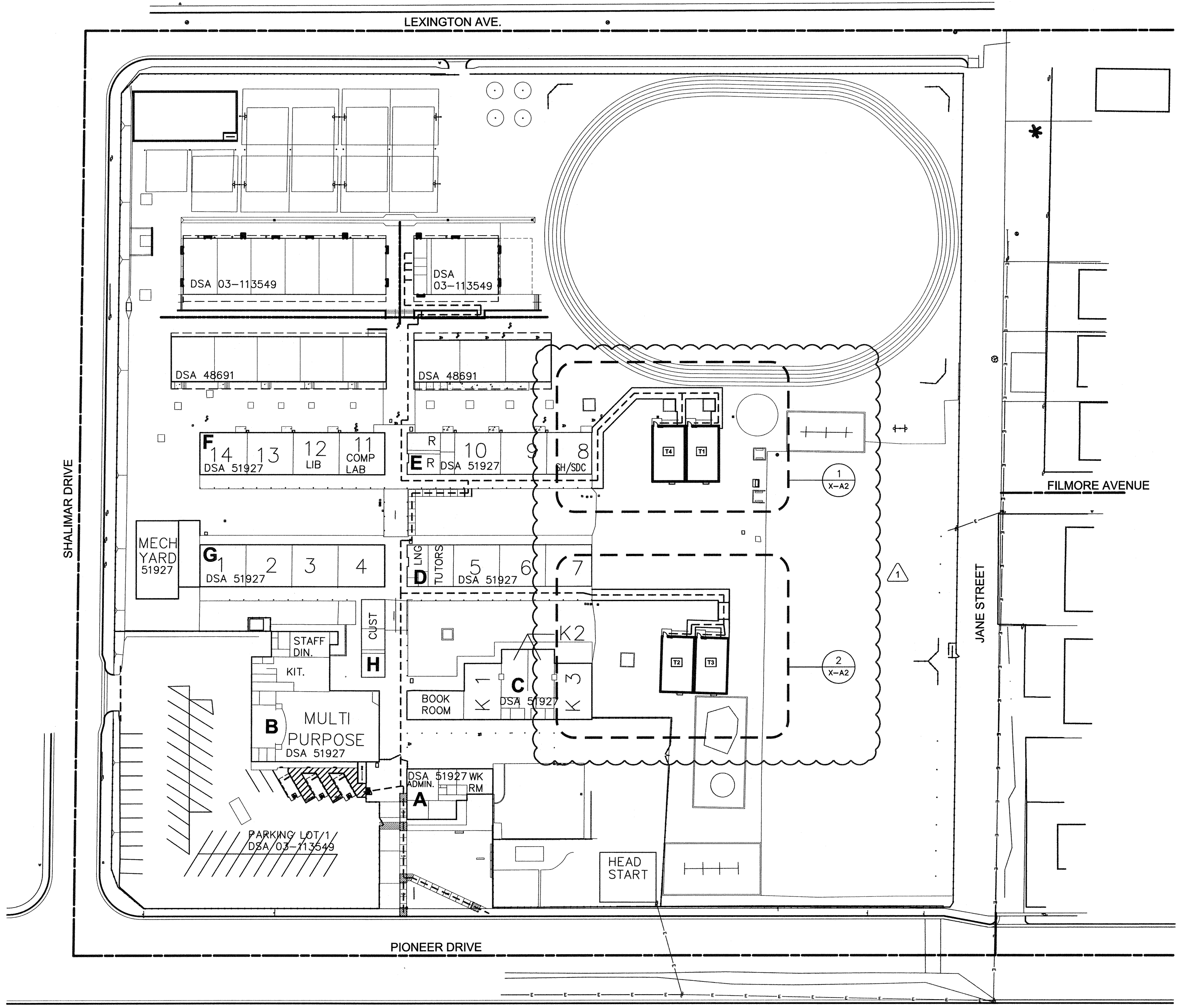
2 CONCRETE JOINTS
 X-A1 ADS110-01
 SCALE: 3" = 1'-0"



3 (N) CONC. TO (E) PAVING
 X-A1 ADS100-05
 SCALE: 1 1/2" = 1'-0"

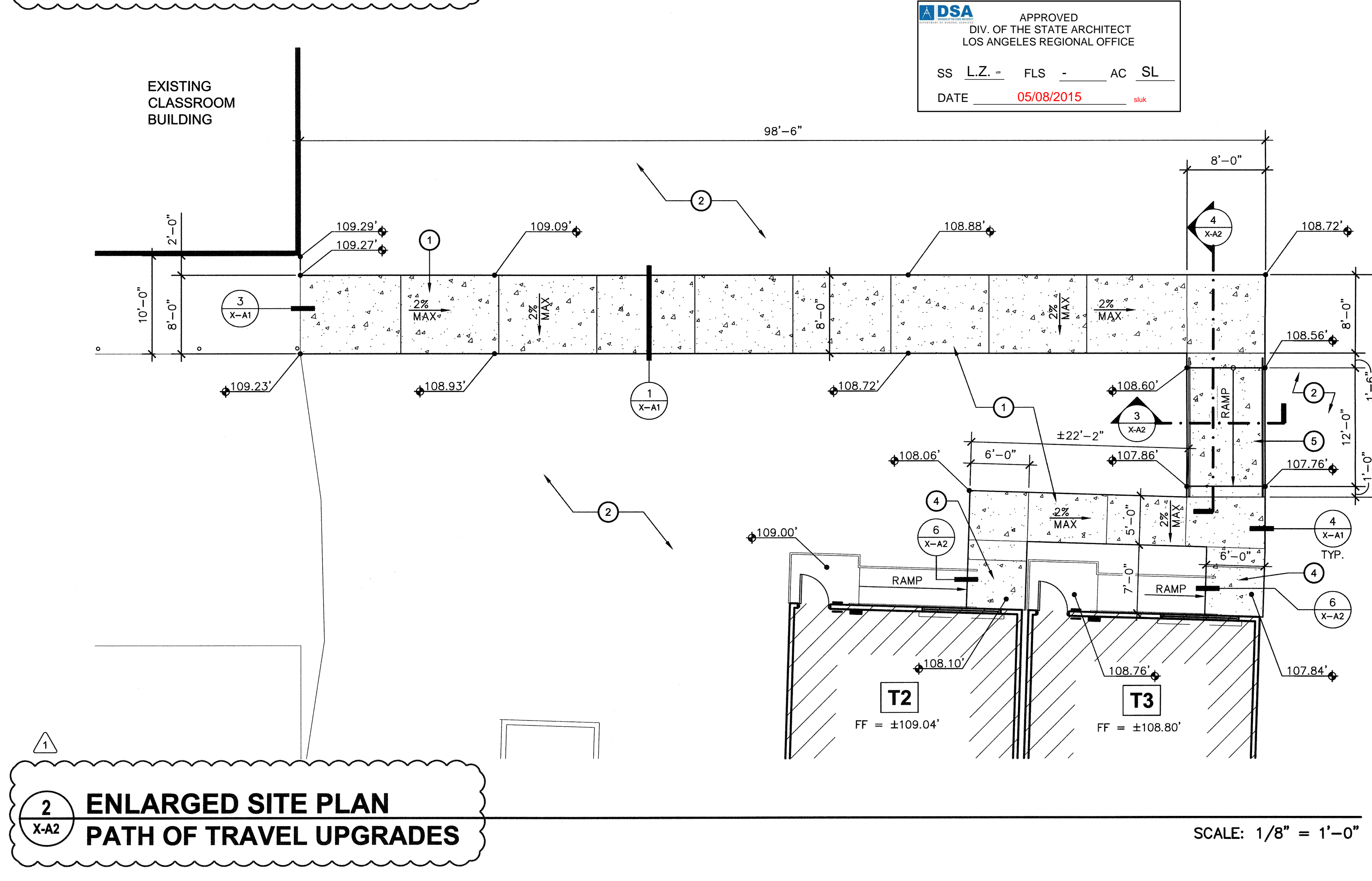
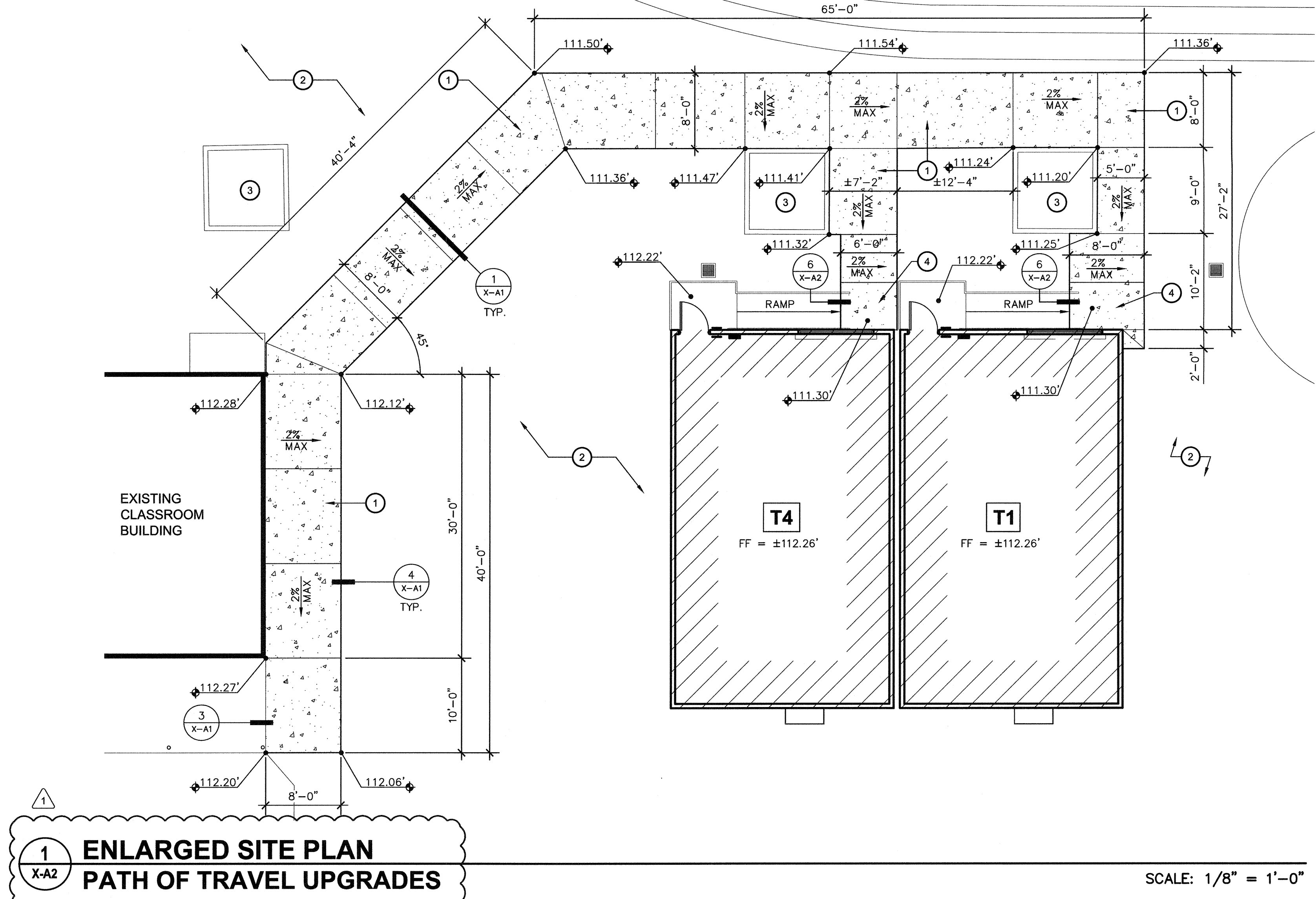
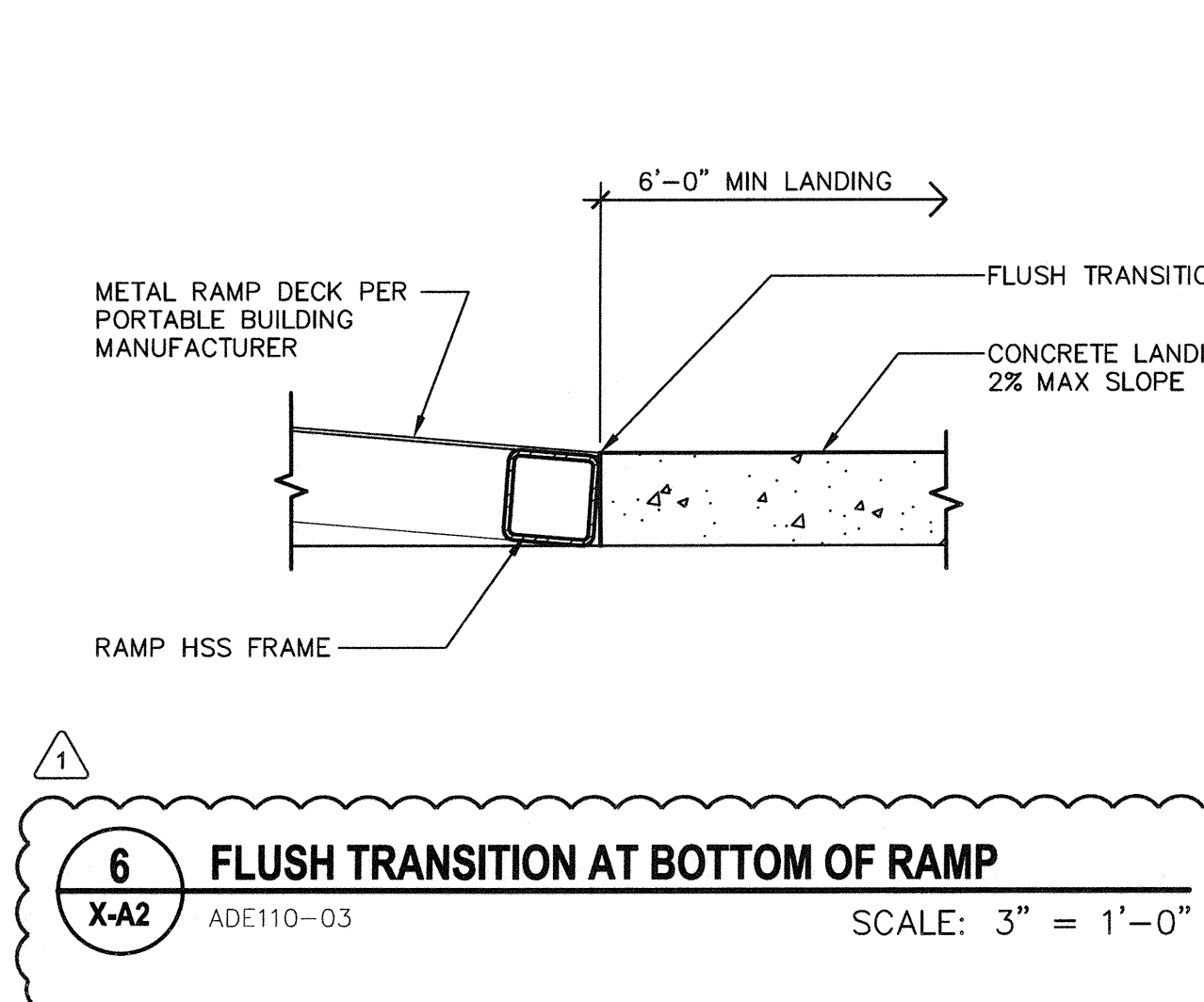
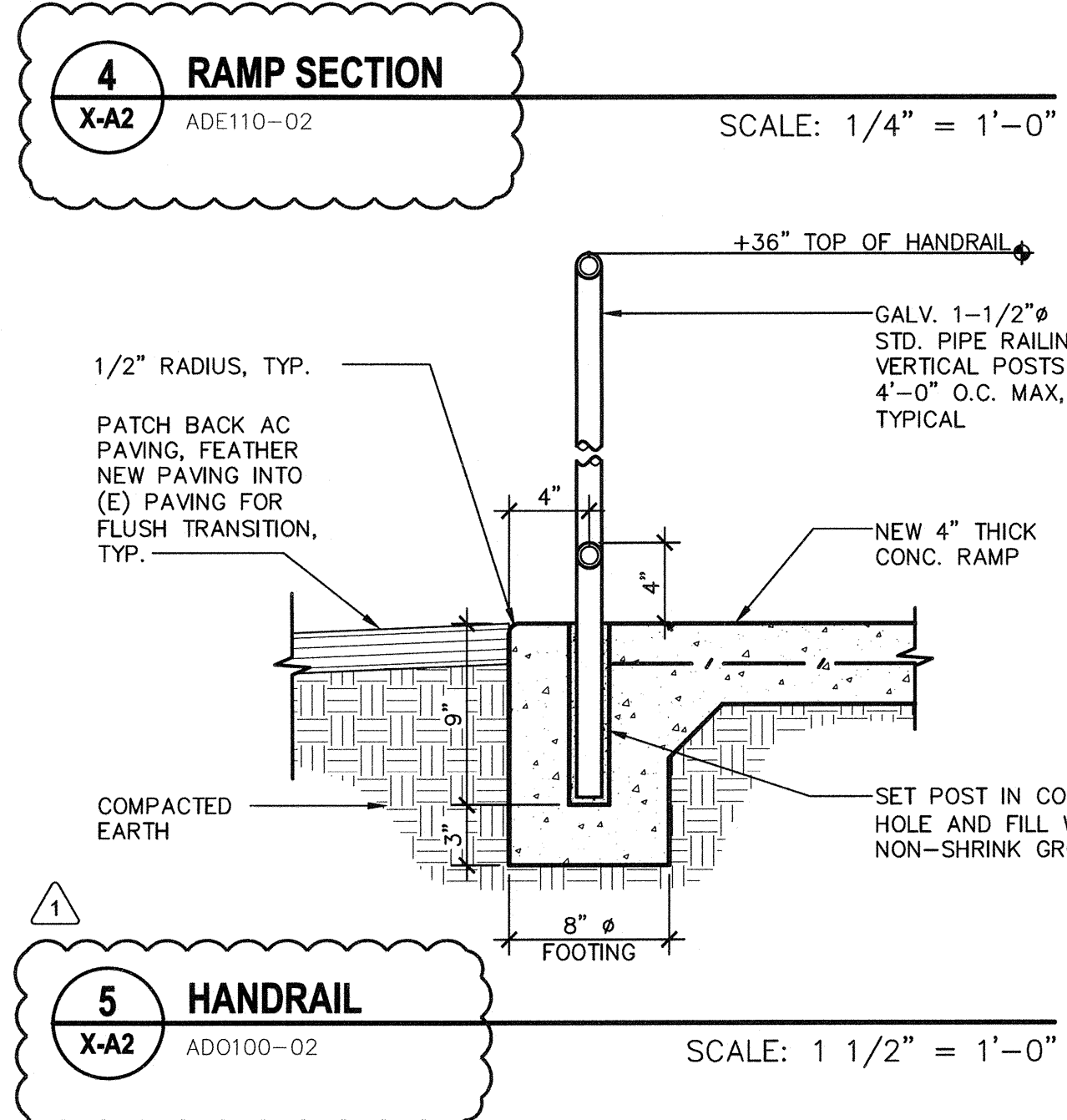
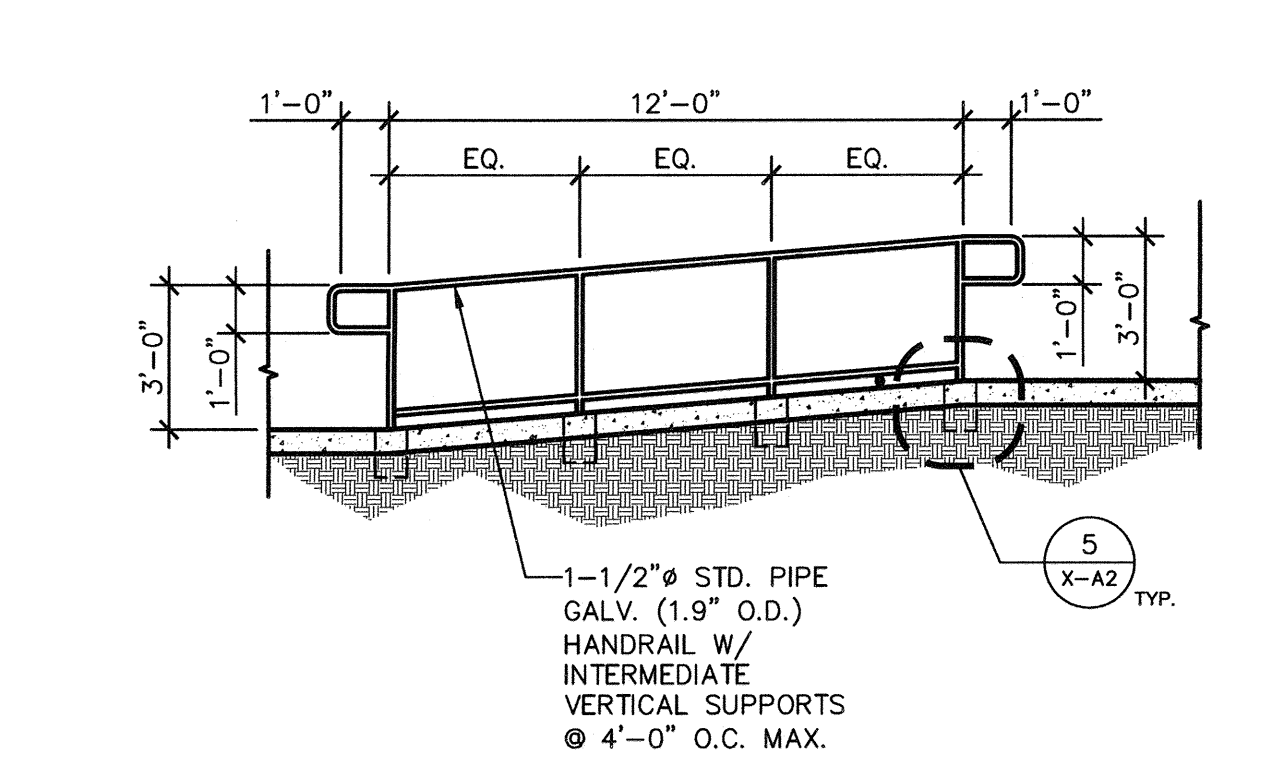
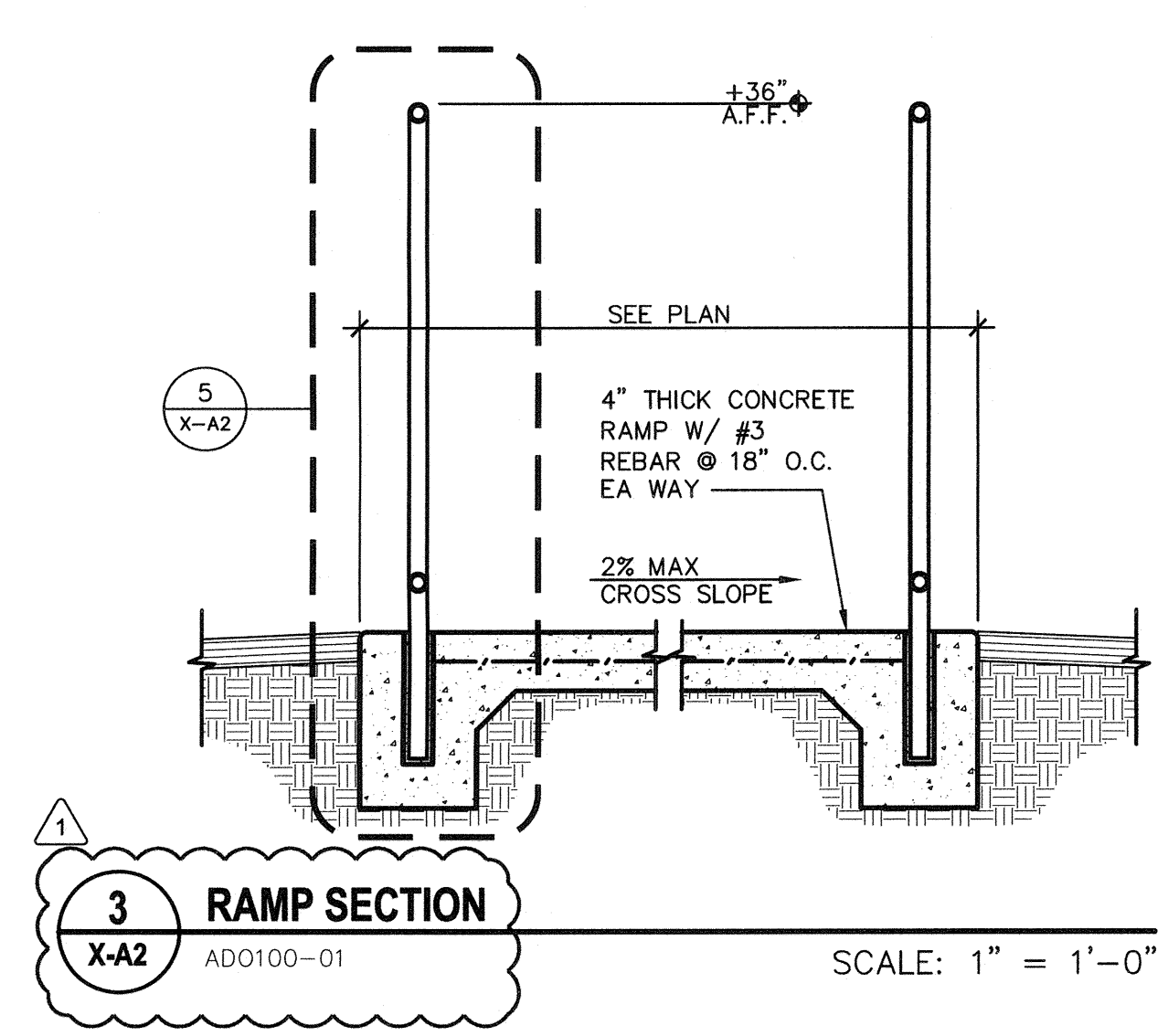
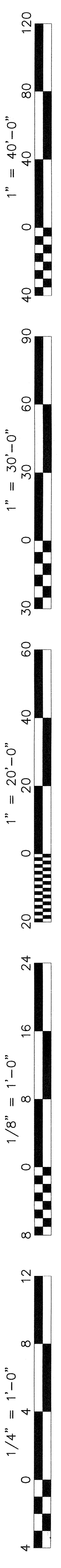


4 CONCRETE TO AC PAVING
 X-A1 ADS100-03
 SCALE: 1 1/2" = 1'-0"



SITE PLAN
PATH OF TRAVEL UPGRADES
 SCALE: 1" = 50'

APPROVED
 DIV. OF THE STATE ARCHITECT
 LOS ANGELES REGIONAL OFFICE
 SS L.Z. = FLS - AC SL
 DATE 05/08/2015 sluk



APPROVED
DIV. OF THE STATE ARCHITECT
LOS ANGELES REGIONAL OFFICE
DATE 05/08/2015

KEY NOTES

- NEW 4" THICK CONCRETE WALL PER 1/X-A1. FINISH W/ MEDIUM BROOM FINISH
- (E) ASPHALT PAVING TO REMAIN
- (E) LANDSCAPE PLANTER TO REMAIN
- NEW 5x6" MIN LANDING PER PC DWG'S. SEE DETAILS 18/R2.0 & 19/R2.0 AND 18/R1.02 & 19/R1.02
- NEW CONC. RAMP W/ MEDIUM BROOM FINISH & GALV. HANDRAILS, TYP. EA SIDE

GENERAL NOTES

- SAW CUT & REMOVE AC PAVING AS REQ'D FOR NEW CONCRETE WALKS.
- FIELD VERIFY EXTENT OF NEW AC PAVING REQUIRED. FEATHER NEW PAVING TO (E) PAVING FOR A FLUSH TRANSITION.

Ownership of Documents
This document, the ideas and designs incorporated herein, as an instrument of Professional Service is the property of Integrated Designs by SOMAM Inc. and is not to be used, in whole or in part for any other project without written authorization.
© COPYRIGHT 2014

integrated designs by SOMAM, Inc.
ARCHITECTURE - ENGINEERING - INTERIOR DESIGN - CONSTRUCTION MANAGEMENT
6011 N. Fresno, Suite 130 - Fresno, California 93710
Phone (559) 438-0887 Fax (559) 438-0887 E-Mail: design@somam.com
www.integrateddesigns.com

Revision:	Revision Description:	Rev. Date:
1	CCD #1	1/14/15

ENLARGED SITE PLANS

PIONEER ELEMENTARY
4 RELOCATABLE CLASSROOMS
BAKERSFIELD CITY SCHOOL DISTRICT
4404 PIONEER DRIVE BAKERSFIELD, CA 93306

Issue Date: 04/22/15
Date: 04/22/15
Designer:
DR:
PC: CJM

Agency Approval Stamp:

Stamp(s):

Job No.: **5082**

Sheet No.: **X-A2**

Release: CCD #1

Professional Seal: JOSH FRANCIS, LICENSED ARCHITECT, No. C-22996, STATE OF CALIFORNIA