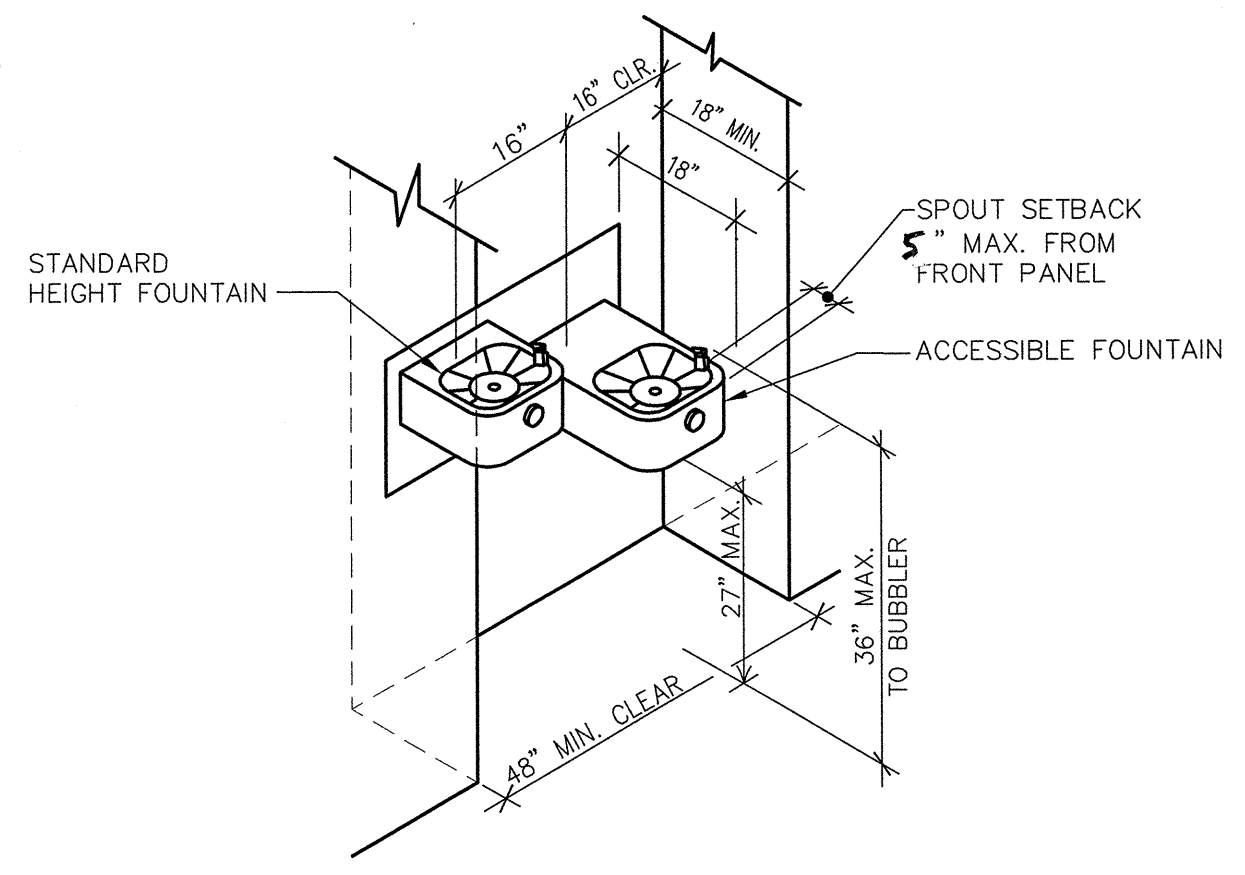


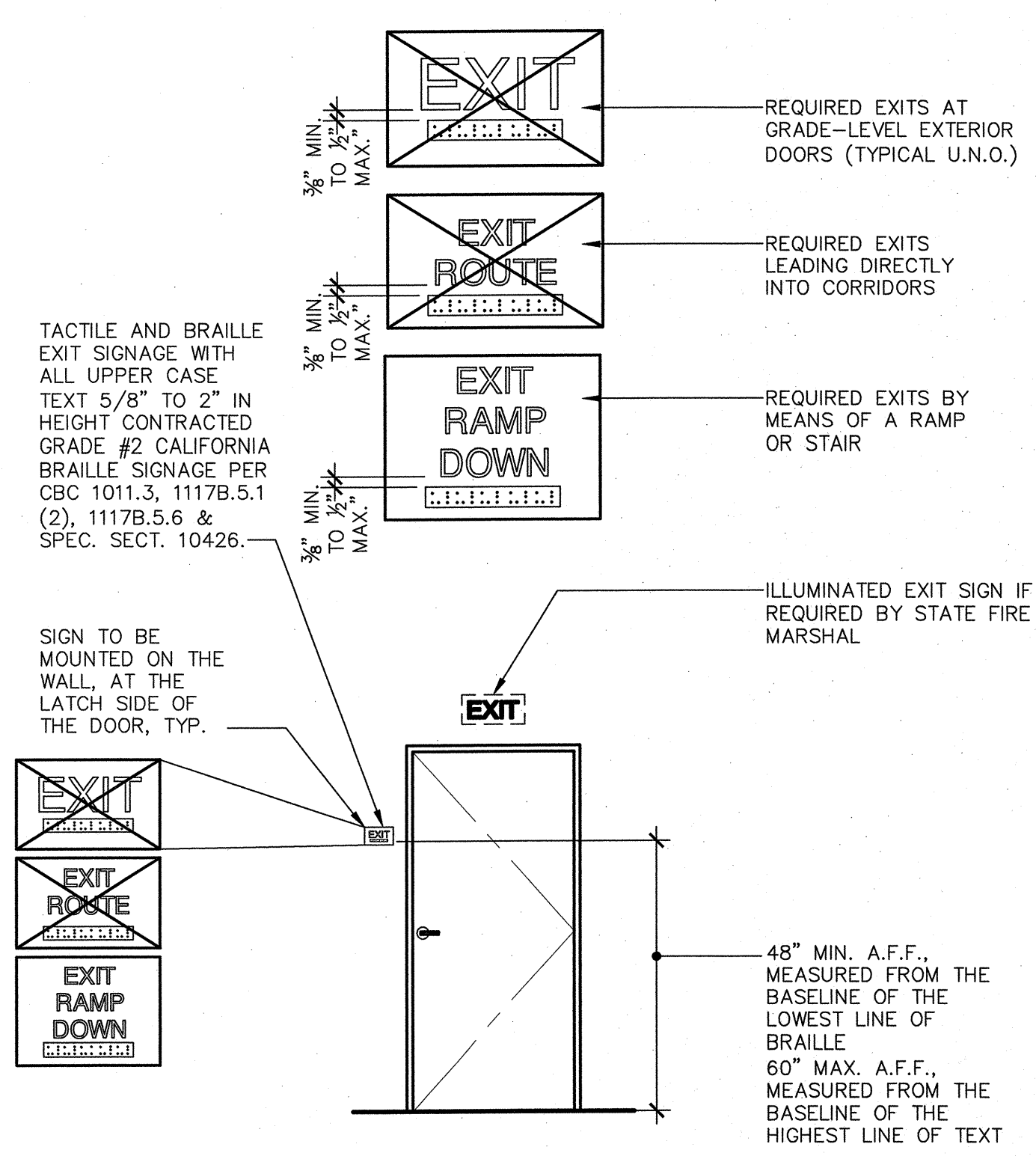
- NOTES:
1. SIGNS TO BE CONSTRUCTED FROM 16 GA. METAL, PAINTED WITH BLUE ENAMEL FINISH WITH ISA SYMBOL, TEXT AND DIRECTIONAL ARROW IN A CONTRASTING COLOR
 2. WHERE APPLICABLE, ATTACH SIGNS TO 2"Ø GALV. STL. PIPE WITH TAMPER RESISTANT HARDWARE

6 ACCESSIBLE RESTROOM DIRECTIONAL SIGNAGE
 ADA100-04 SCALE: 1' = 1'-0"

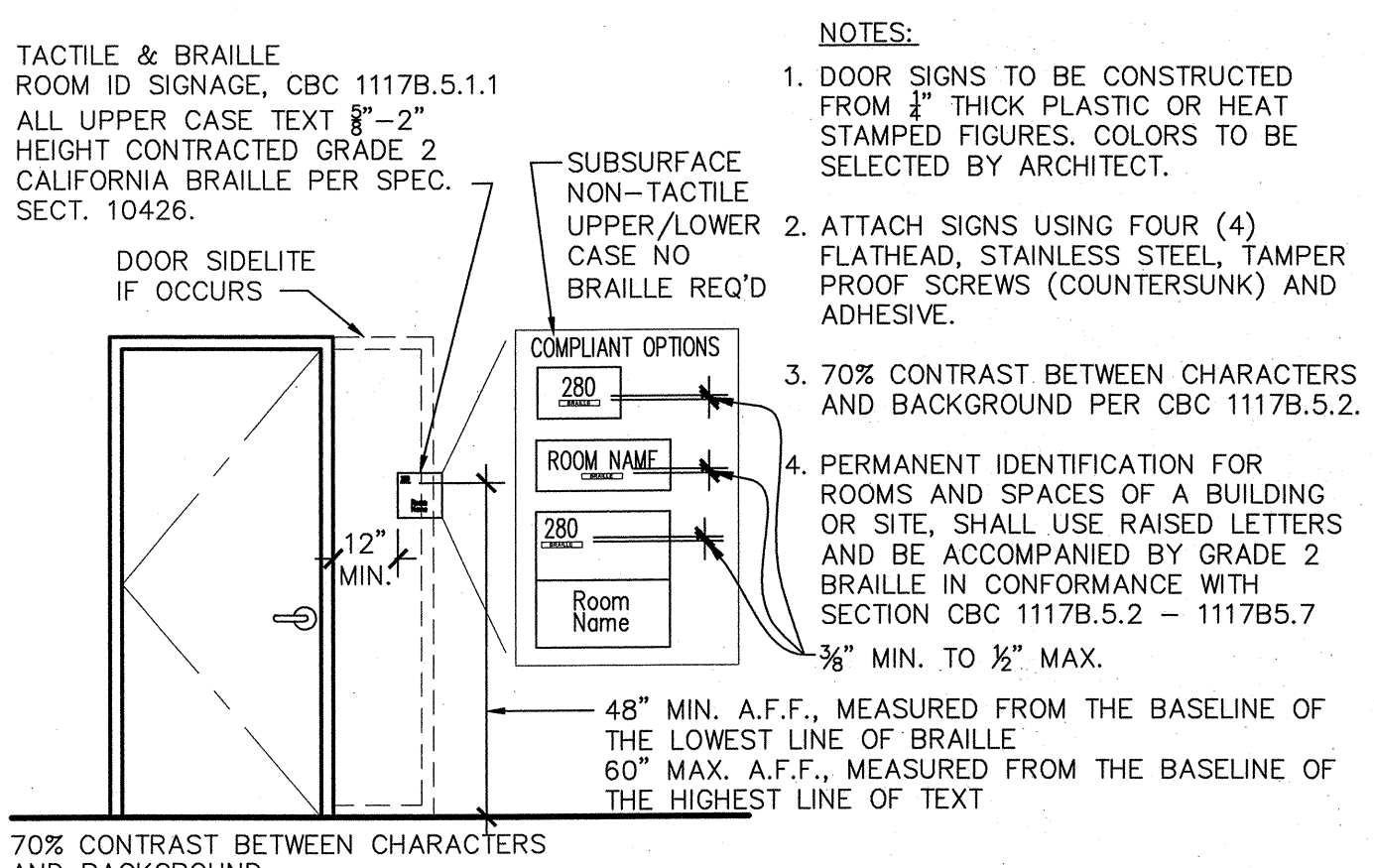


7 HI-LOW DRINKING FOUNTAIN - ALCOVE
 ADA000-15 SCALE: 1/2" = 1'-0"

- NOTES:
1. DOOR SIGNS TO BE CONSTRUCTED FROM 1/4" THICK PLASTIC OR HEAT STAMPED FIGURES. COLORS TO BE SELECTED BY ARCHITECT.
 2. ATTACH SIGNS USING FOUR (4) FLATHEAD, STAINLESS STEEL, TAMPER PROOF SCREWS, (COUNTERSUNK) AND ADHESIVE.
 3. 70% CONTRAST BETWEEN CHARACTERS AND BACKGROUND

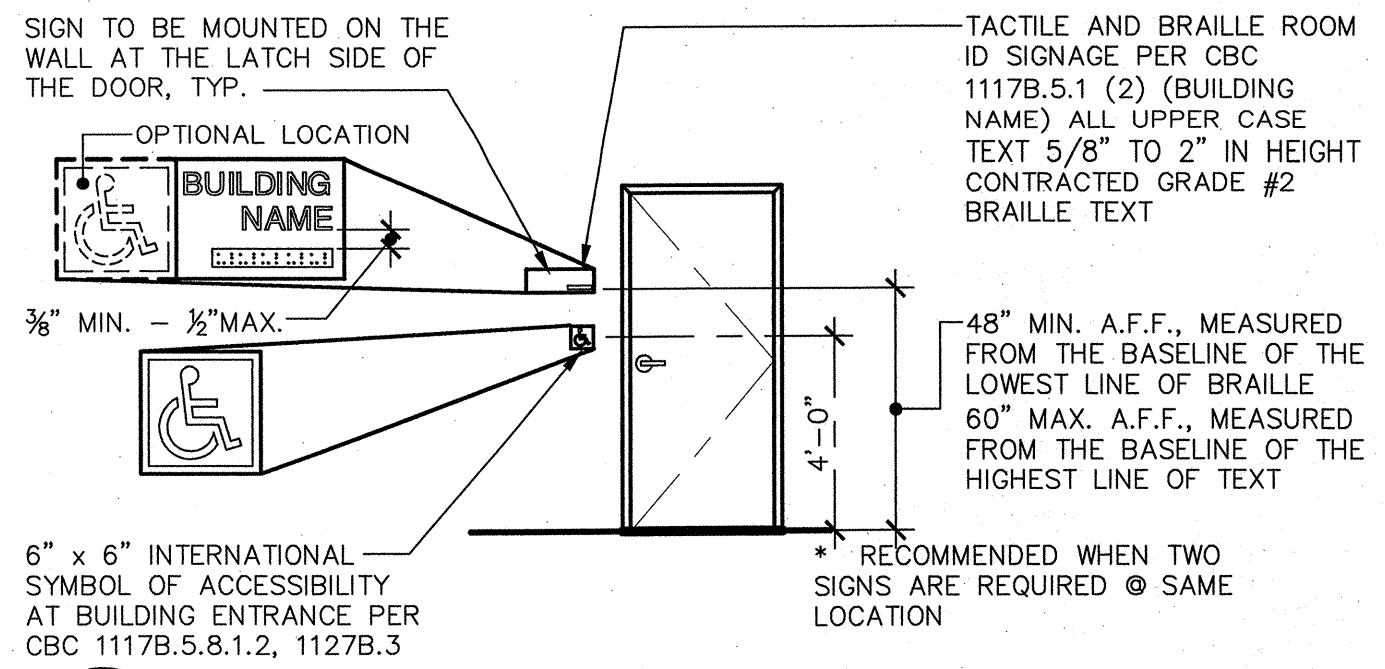


2 TYPICAL EXTERIOR DOOR SIGNAGE
 ADX200-01 SCALE: 1' = 1'-0"



3 ROOM ID SIGNAGE
 ADX100-01 SCALE: N.T.S.

- NOTES:
1. DOOR SIGNS TO BE CONSTRUCTED FROM 1/4" THICK PLASTIC OR HEAT STAMPED FIGURES. COLORS TO BE SELECTED BY ARCHITECT.
 2. ATTACH SIGNS USING FOUR (4) FLATHEAD, STAINLESS STEEL, TAMPER PROOF SCREWS (COUNTERSUNK) AND ADHESIVE.
 3. 70% CONTRAST BETWEEN CHARACTERS AND BACKGROUND PER CBC 1117B.5.2.
 4. ISA SYMBOL CAN ALSO BE PLACED ON DOOR. THE LOCATION IS NOT REGULATED.



4 BUILDING ENTRANCE/ISA SIGNAGE
 ADA100-01 SCALE: 1' = 1'-0"

Ownership of Documents
 This document, the ideas and designs incorporated herein, as an instrument of Professional Service is the property of Integrated Designs by SOMAM Inc. and is not to be used, in whole or in part for any other project without written authorization.
 © COPYRIGHT 2012

integrated designs by SOMAM, Inc.
 ARCHITECTURE · ENGINEERING · INTERIOR DESIGN · CONSTRUCTION MANAGEMENT
 6011 N. Fresno, Suite 130 - Fresno, California 93710
 Phone (559) 438-0881 Fax (559) 438-0887 E-Mail: design@somam.com
 www.integrateddesigns.com

Rev. No.	Date	Description

SITE DETAILS

PROJECT NAME & ADDRESS:
PIONEER ELEMENTARY
4 RELOCATABLE CLASSROOMS
 BAKERSFIELD CITY SCHOOL DISTRICT
 4404 PIONEER DRIVE BAKERSFIELD, CA 93306

Issue Date: 10/29/13
 Date: 10/29/13
 Designer: [Signature]
 DR: [Signature]
 PC: CJM

Agency Approval Stamp:
 FILE # 15-6
 IDENTIFICATION STAMP
 DIV. OF THE STATE ARCHITECT
 OFFICE OF REGULATION SERVICES
 03-115335
 AC MP FLS [Signature] SS [Signature]
 DATE: JAN 08 2014
 TRACKING #: 63321-131

Stamp(s):

Job No.: **5082**

Sheet No.: **A1.03**

Release: -

CHRISTIAN J. HILL