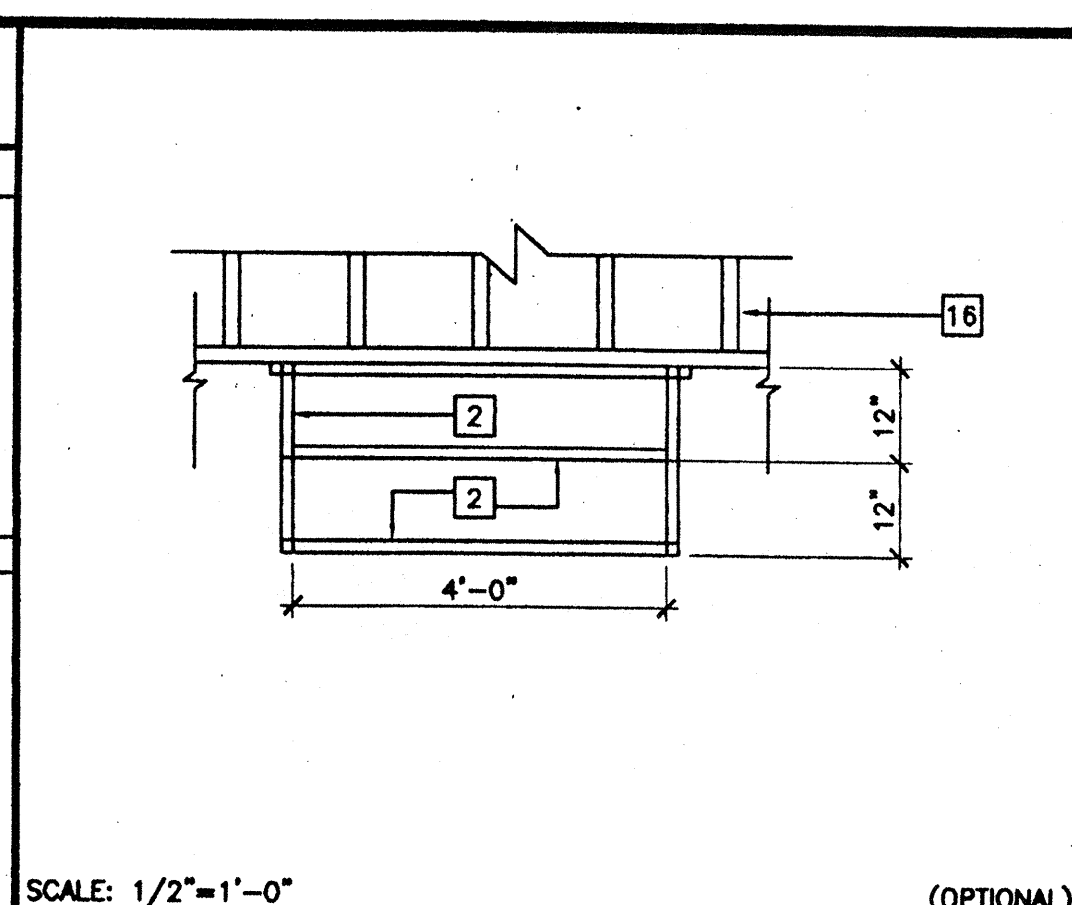
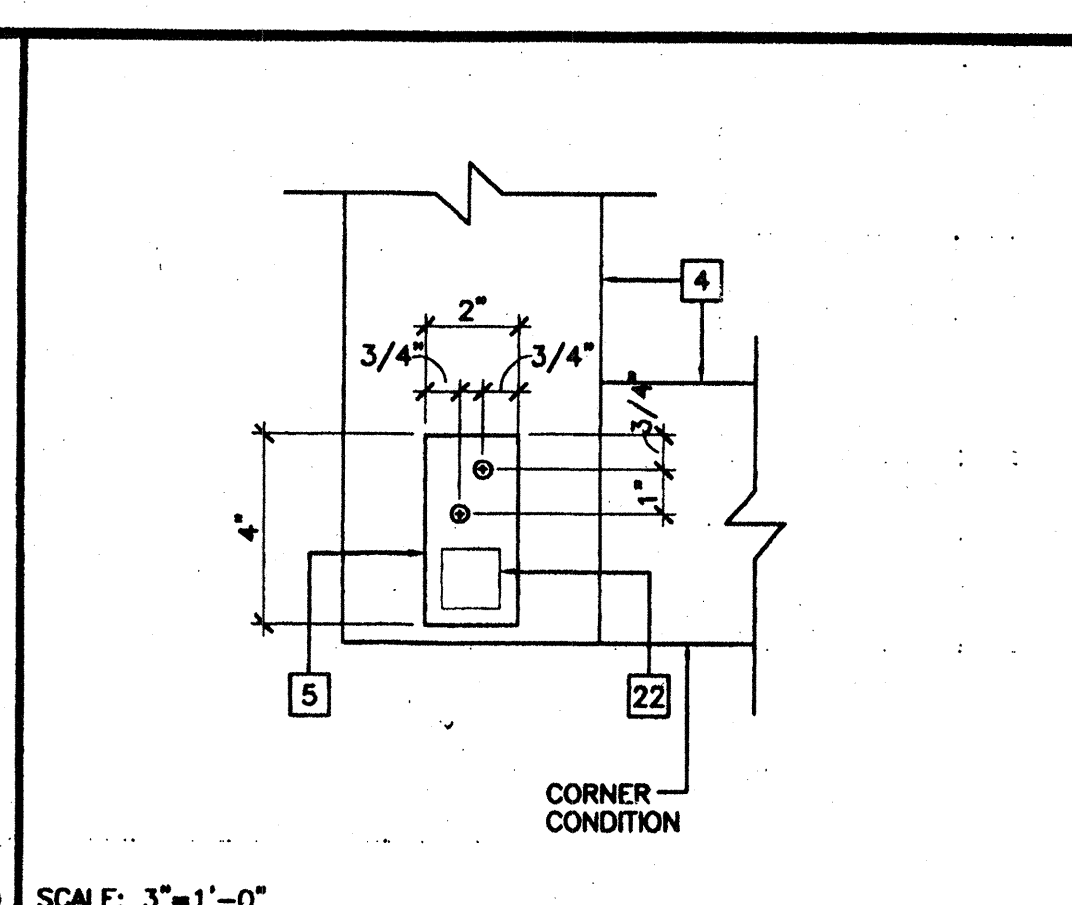


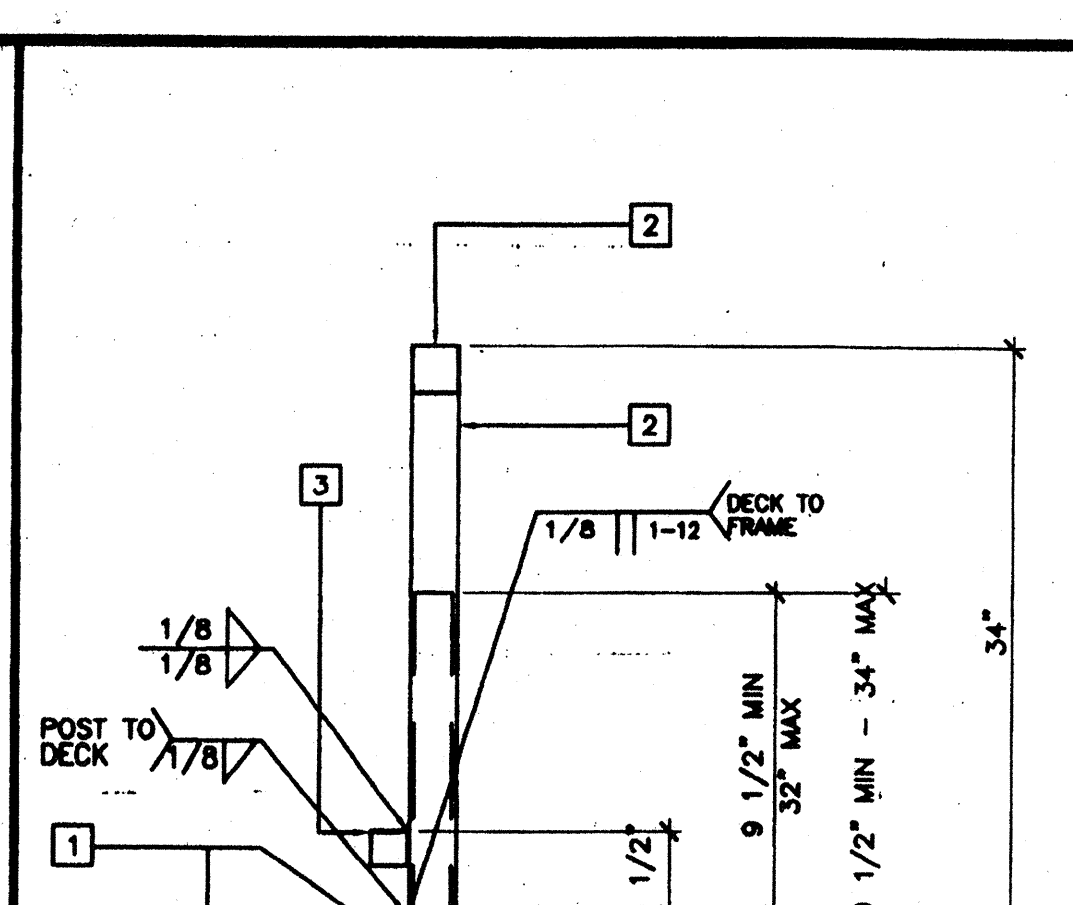
SCALE: 1 1/2"=1'-0" (OPTIONAL)
STAIR SECTION 16



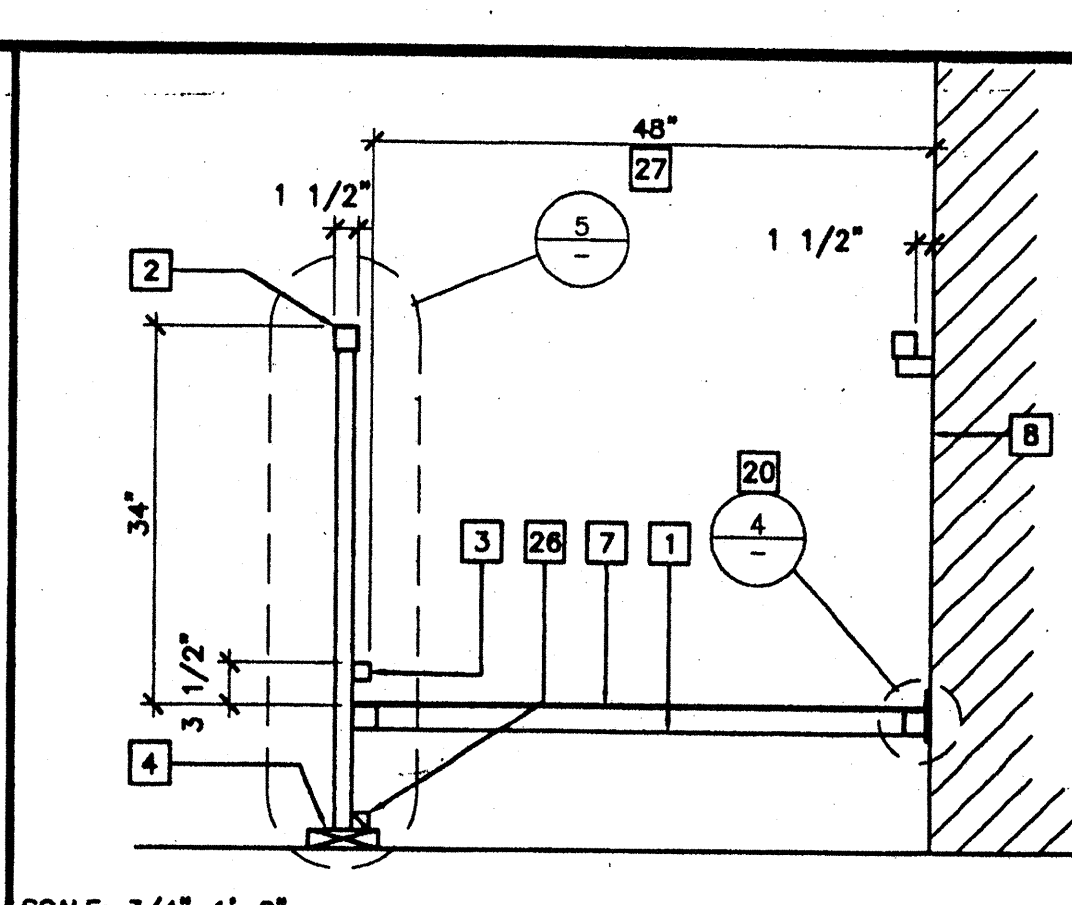
SCALE: 1/2"=1'-0" (OPTIONAL)
STAIR FRAMING PLAN 12



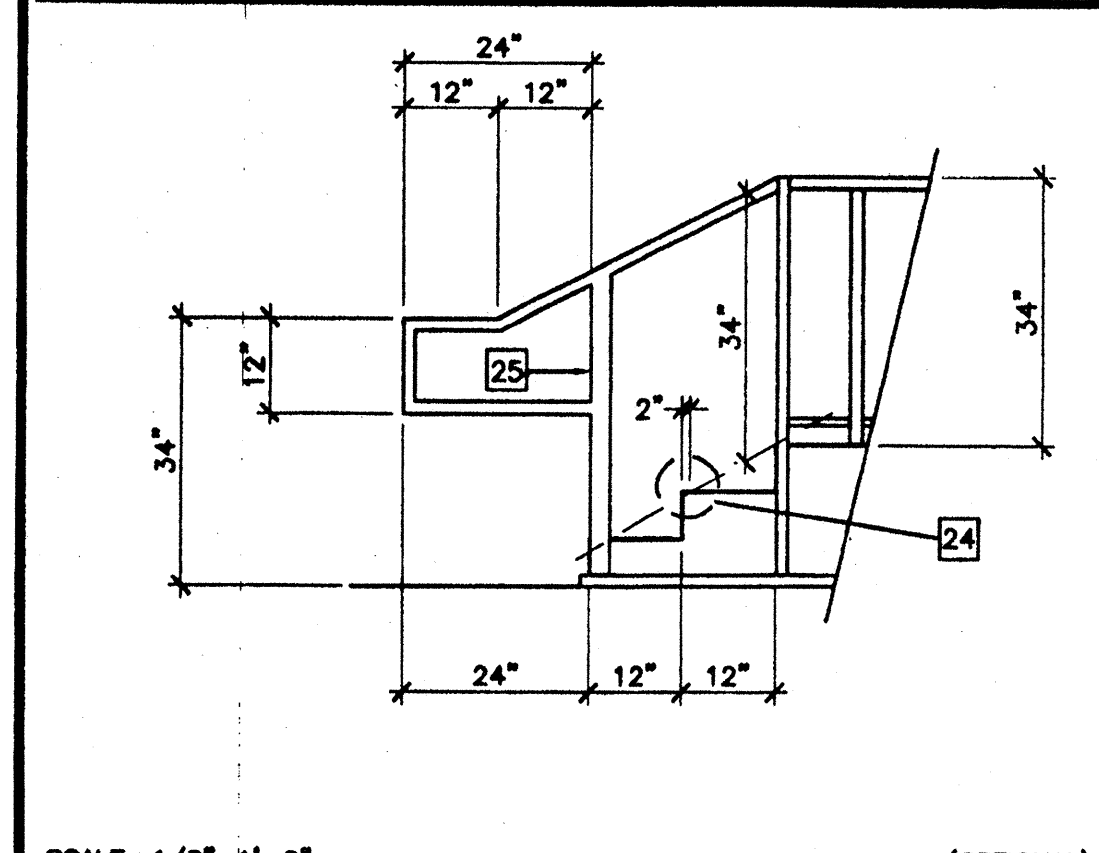
SCALE: 3"=1'-0"
ADJUSTABLE LEG BASE PLATE 8



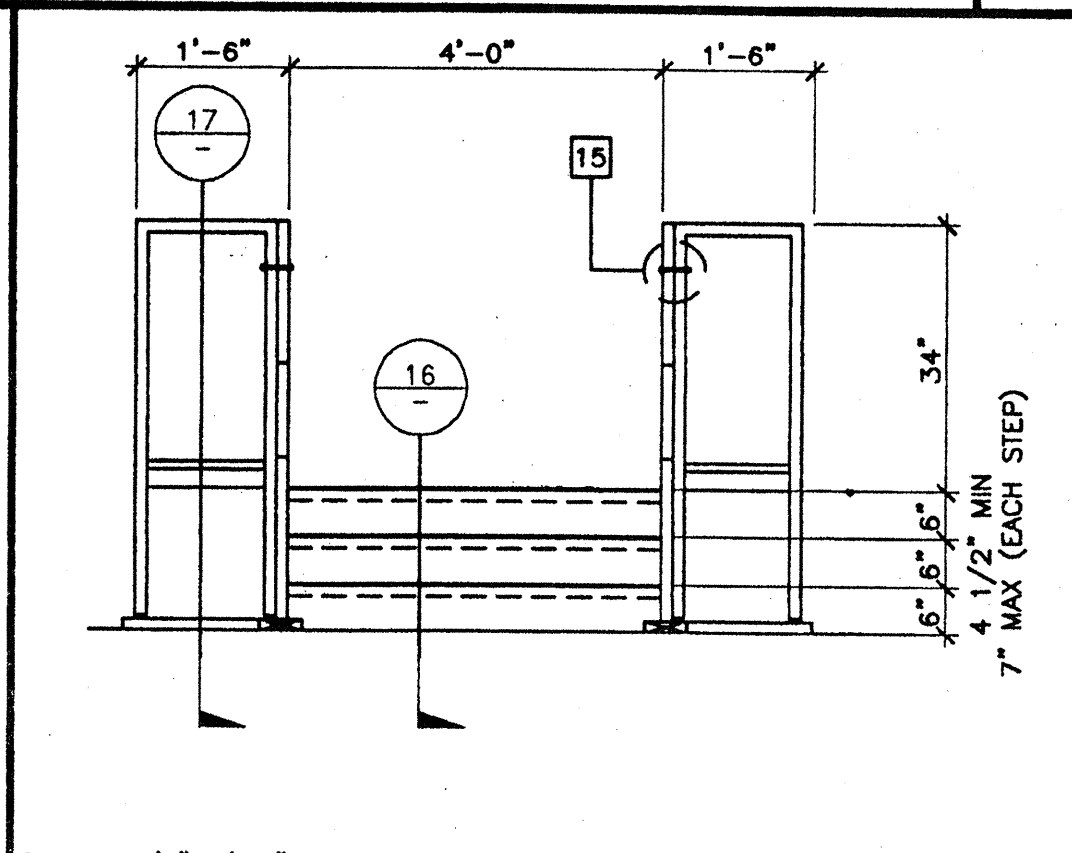
SCALE: 3"=1'-0"
ADJUSTABLE LEG 5



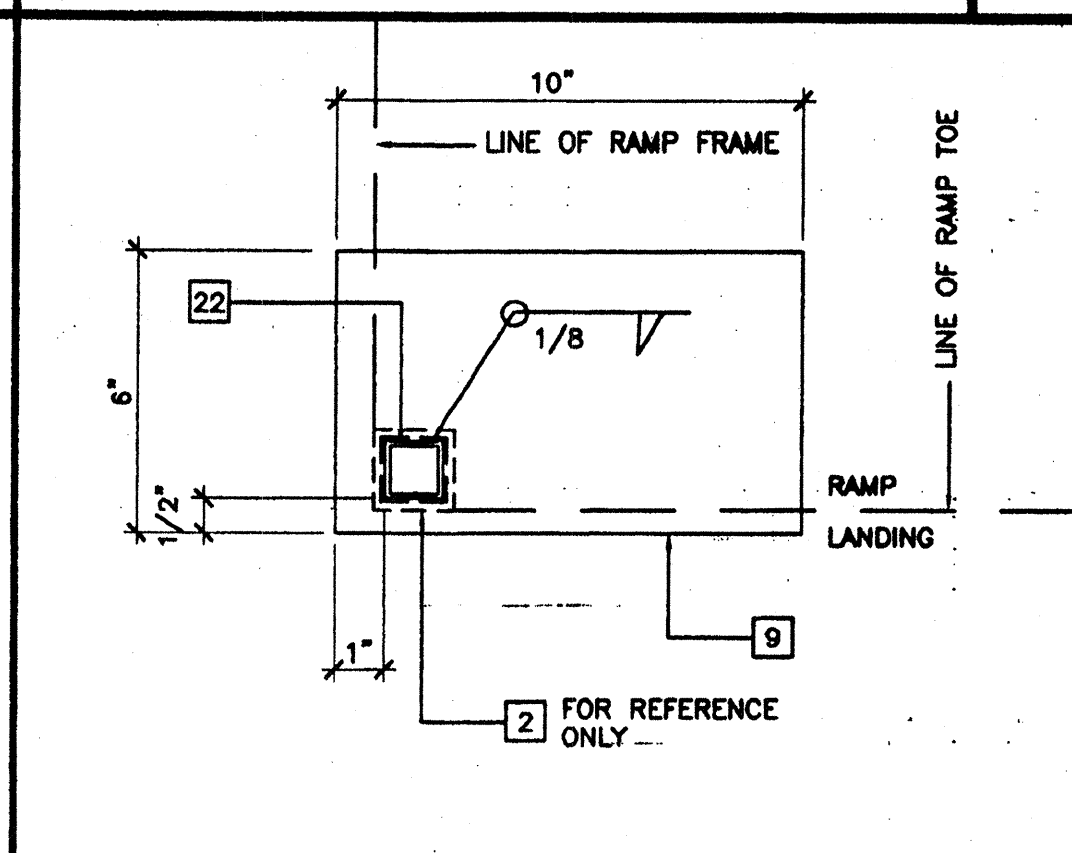
SCALE: 3/4"=1'-0"
SECTION AT RAMP 1



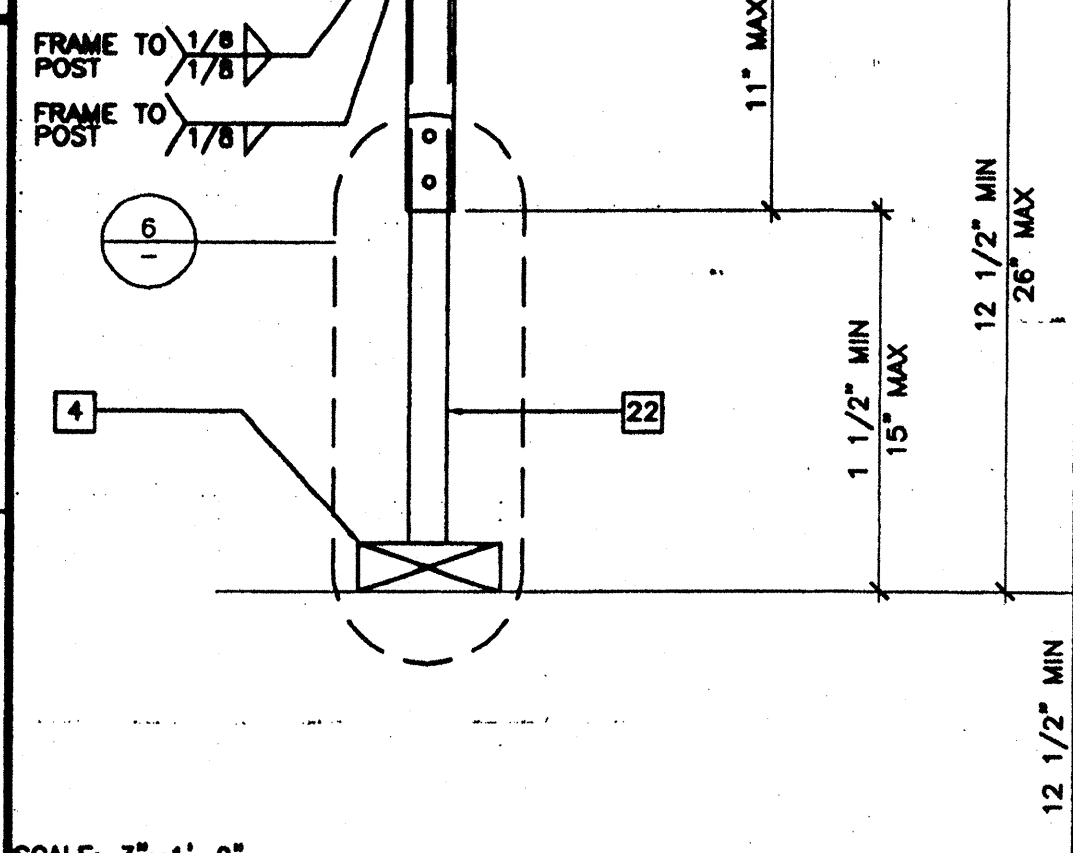
SCALE: 1/2"=1'-0" (OPTIONAL)
STAIR ELEVATION 17



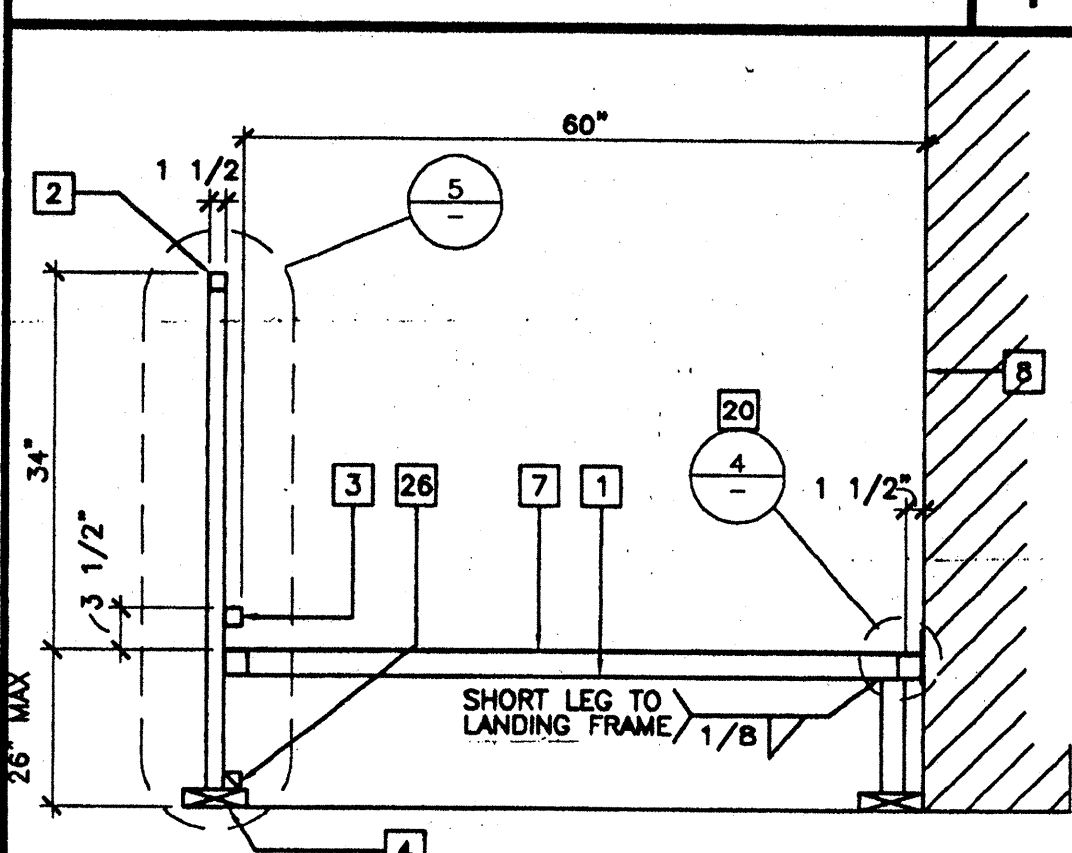
SCALE: 1/2"=1'-0" (OPTIONAL)
STAIR ELEVATION 13



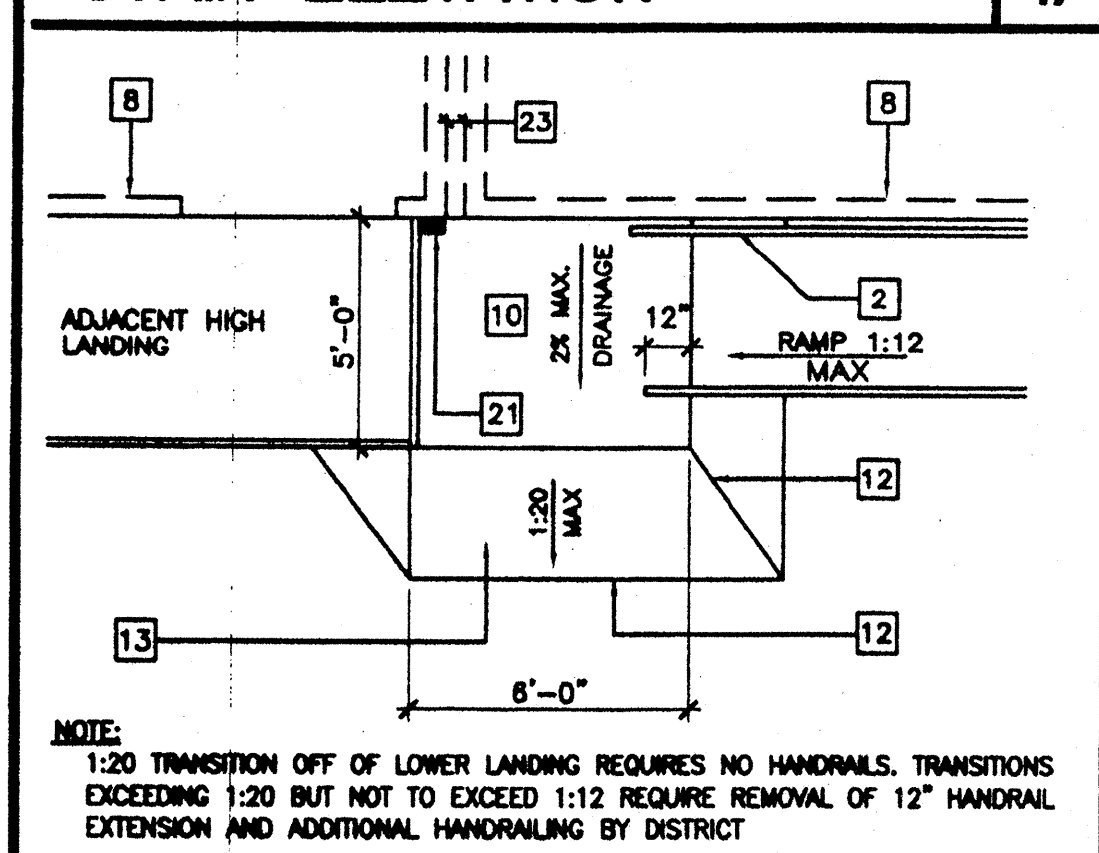
SCALE: 3"=1'-0"
BASE PLATE AT RAMP TOE 9



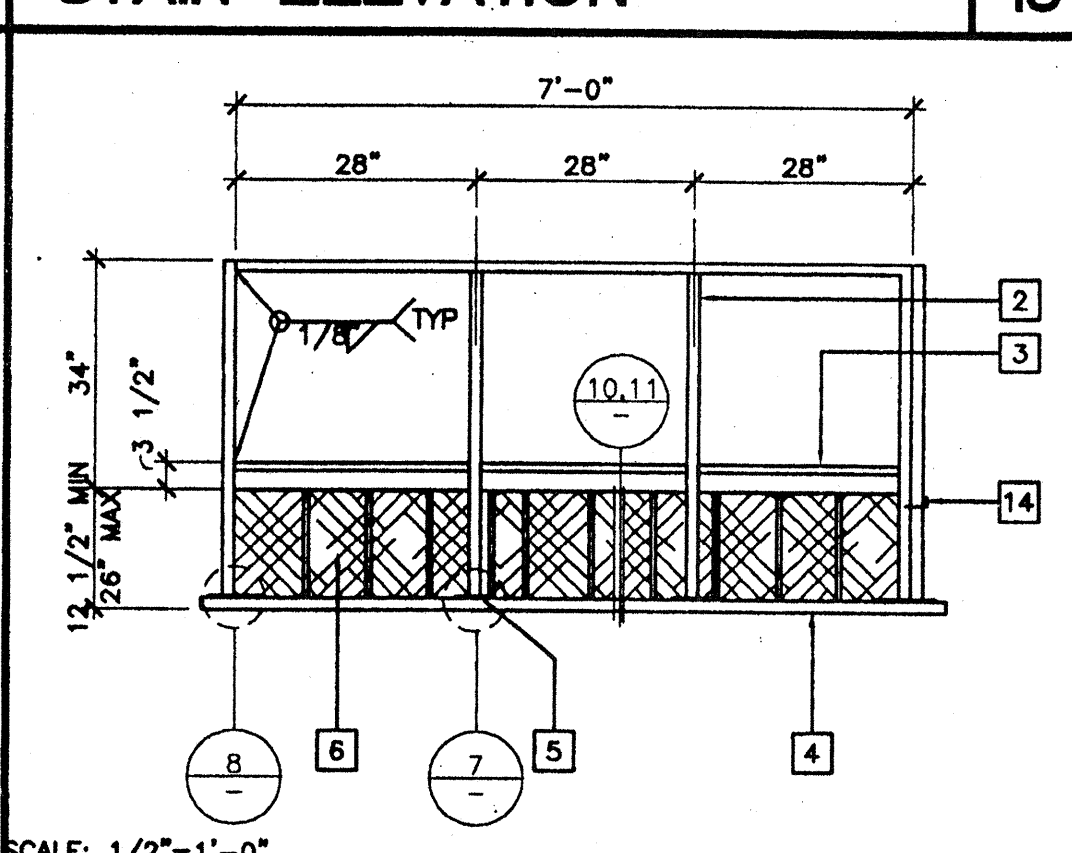
SCALE: 3"=1'-0"
ADJUSTABLE LEG 5



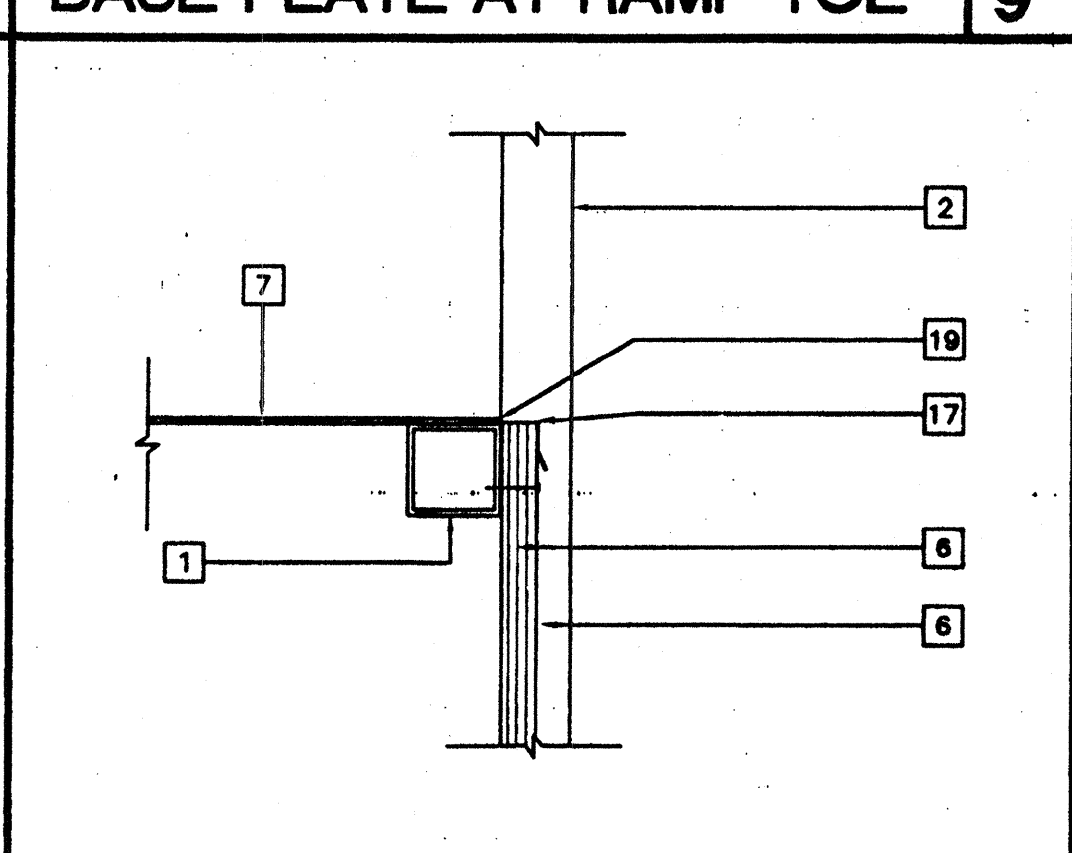
SCALE: 3/4"=1'-0"
SECTION AT LANDING 2



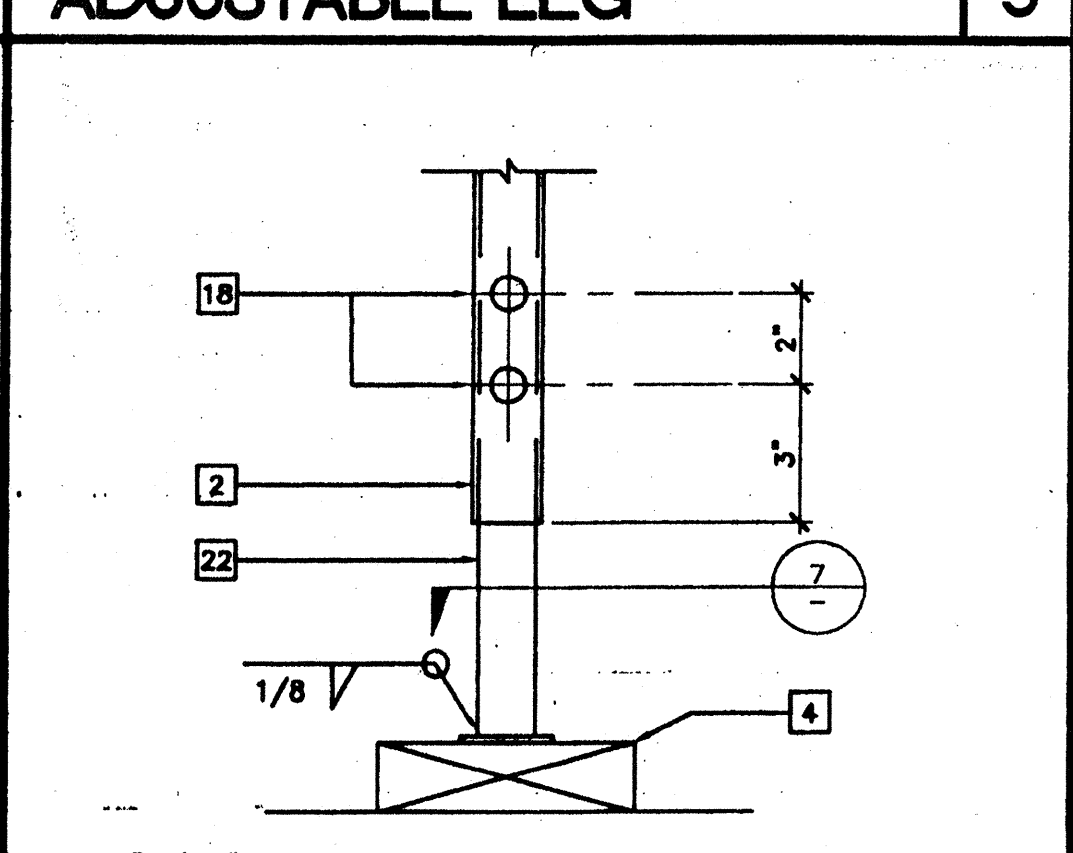
SCALE: NTS (BY DISTRICT)
RAMP TRANSITION 18



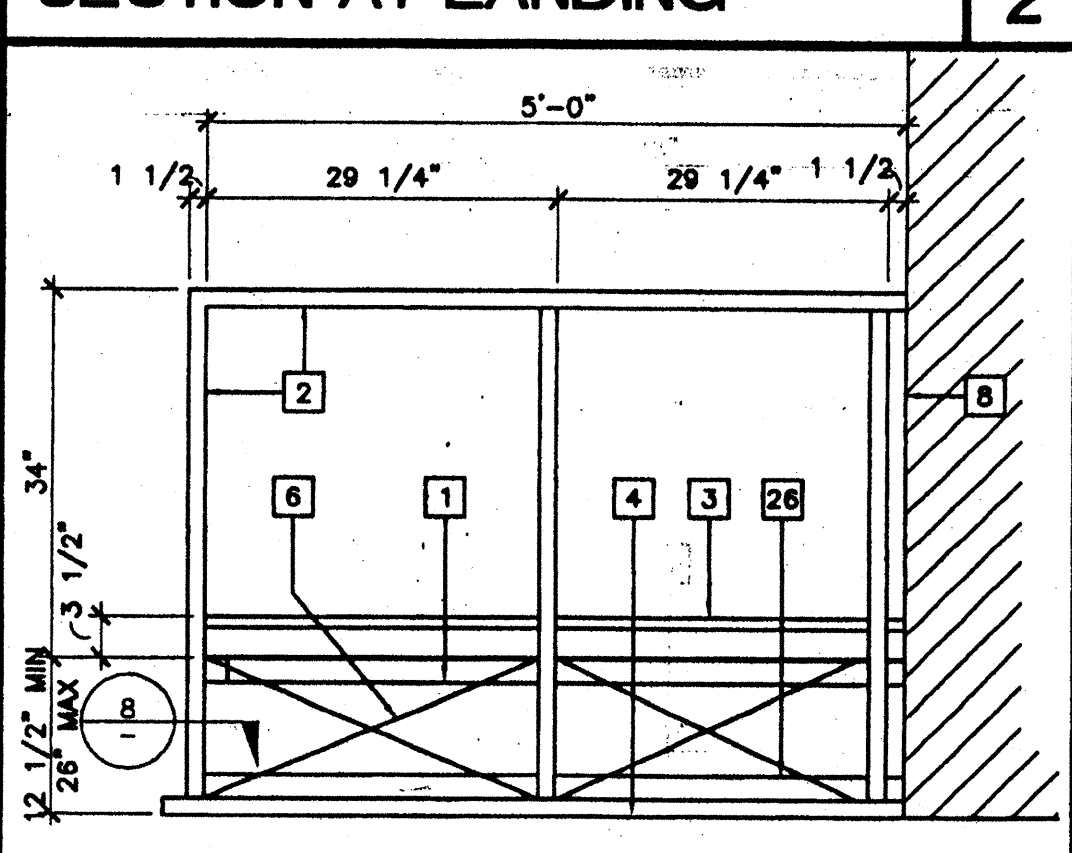
SCALE: 1/2"=1'-0"
LANDING ELEVATION 14



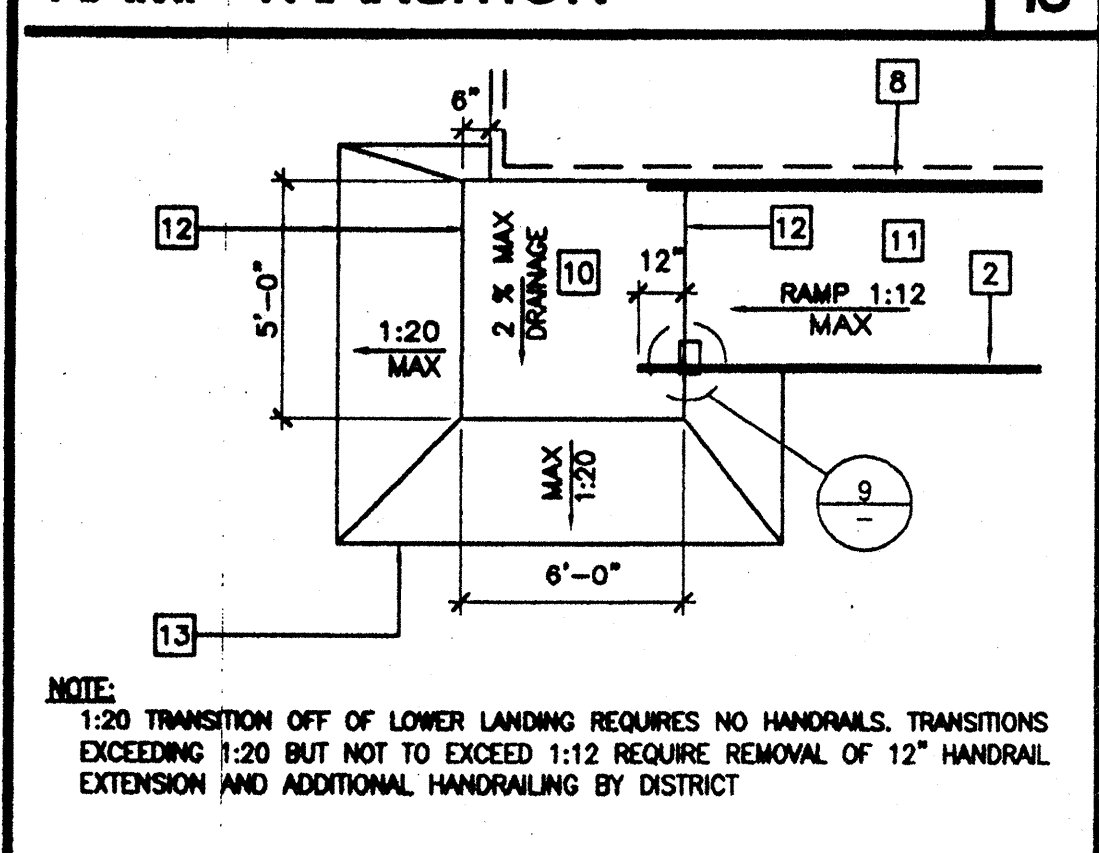
SCALE: 3"=1'-0"
SKIRT FLASHING 10



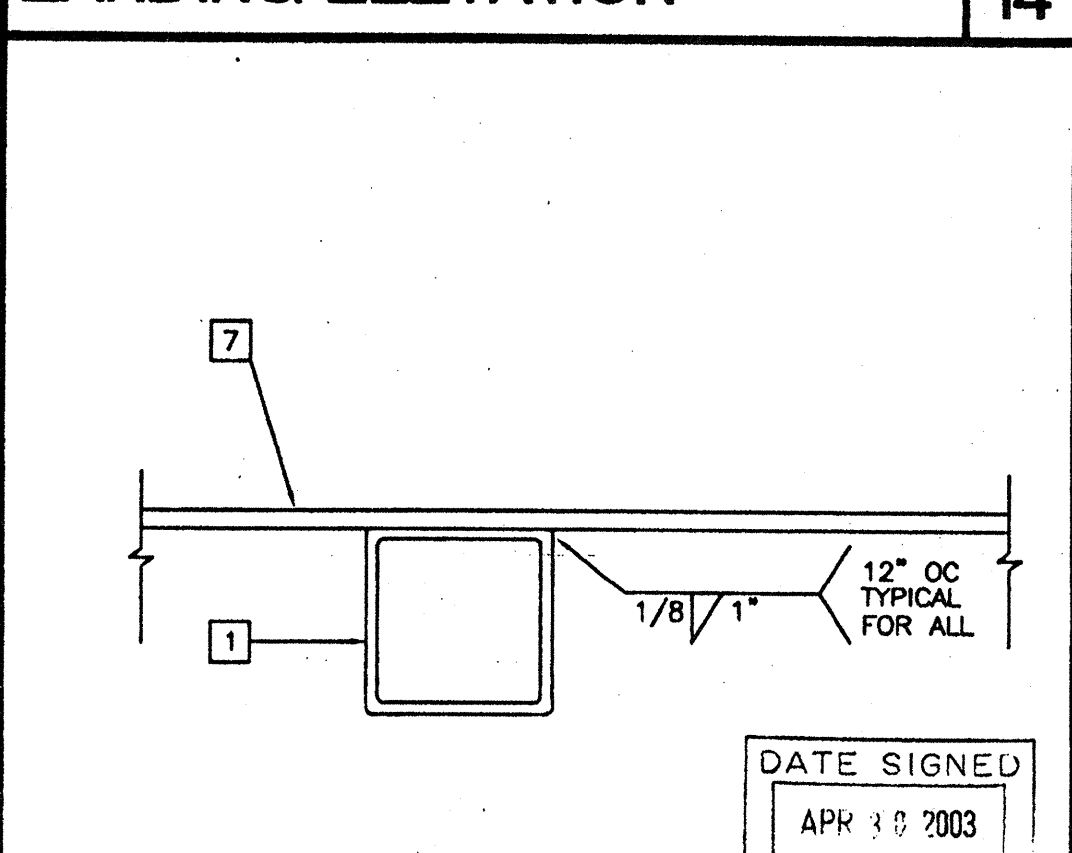
SCALE: 3"=1'-0"
ADJUSTABLE LEG 6



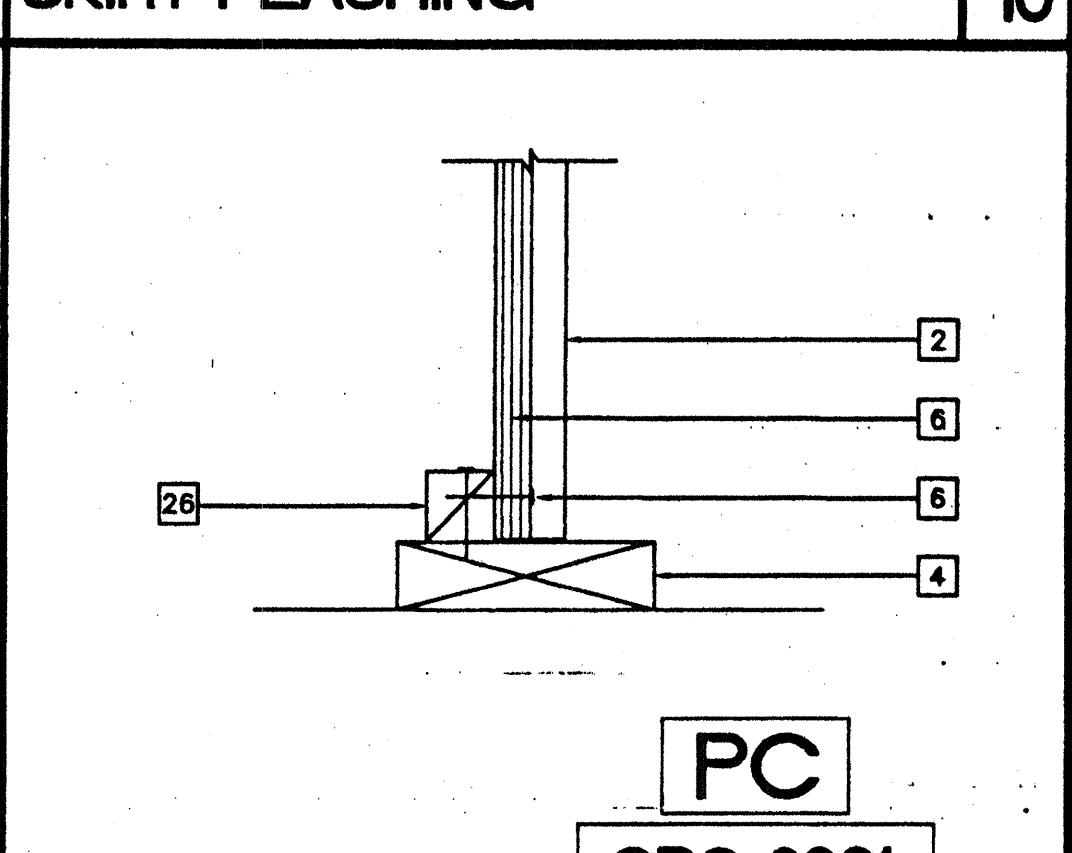
SCALE: 3/4"=1'-0"
END ELEVATION 3



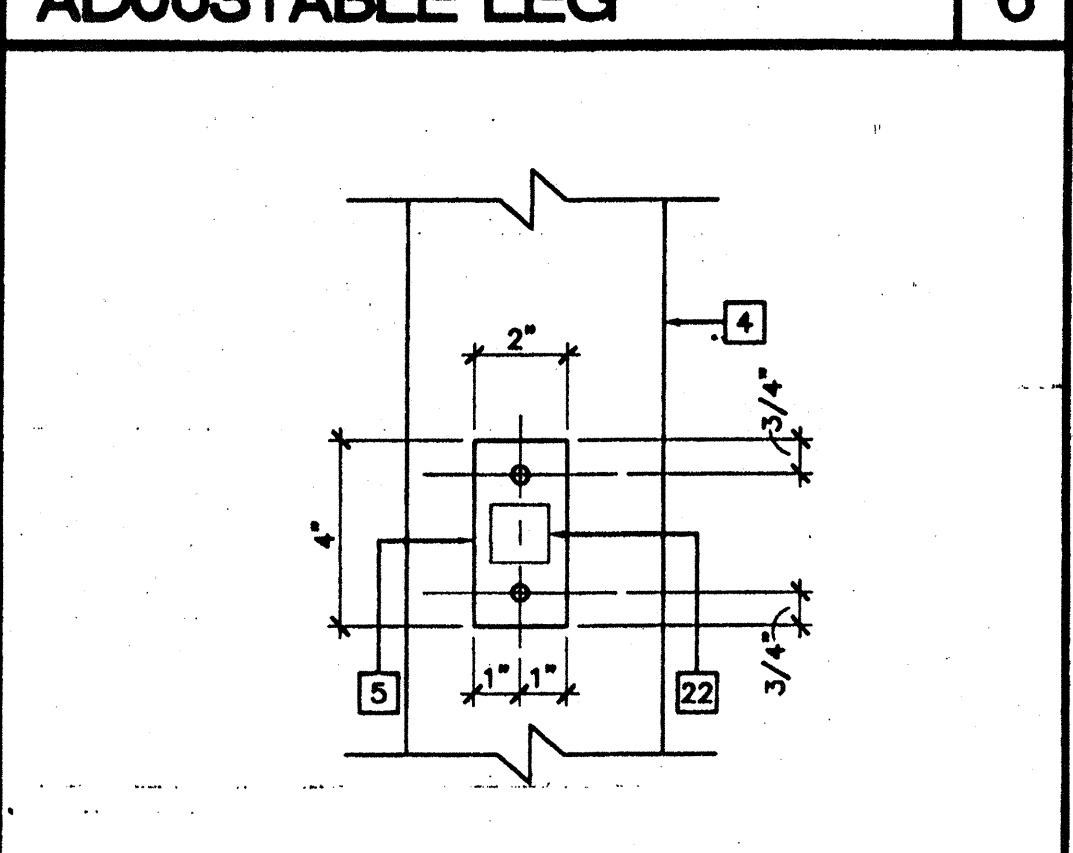
SCALE: NTS (BY DISTRICT)
RAMP TRANSITION 19



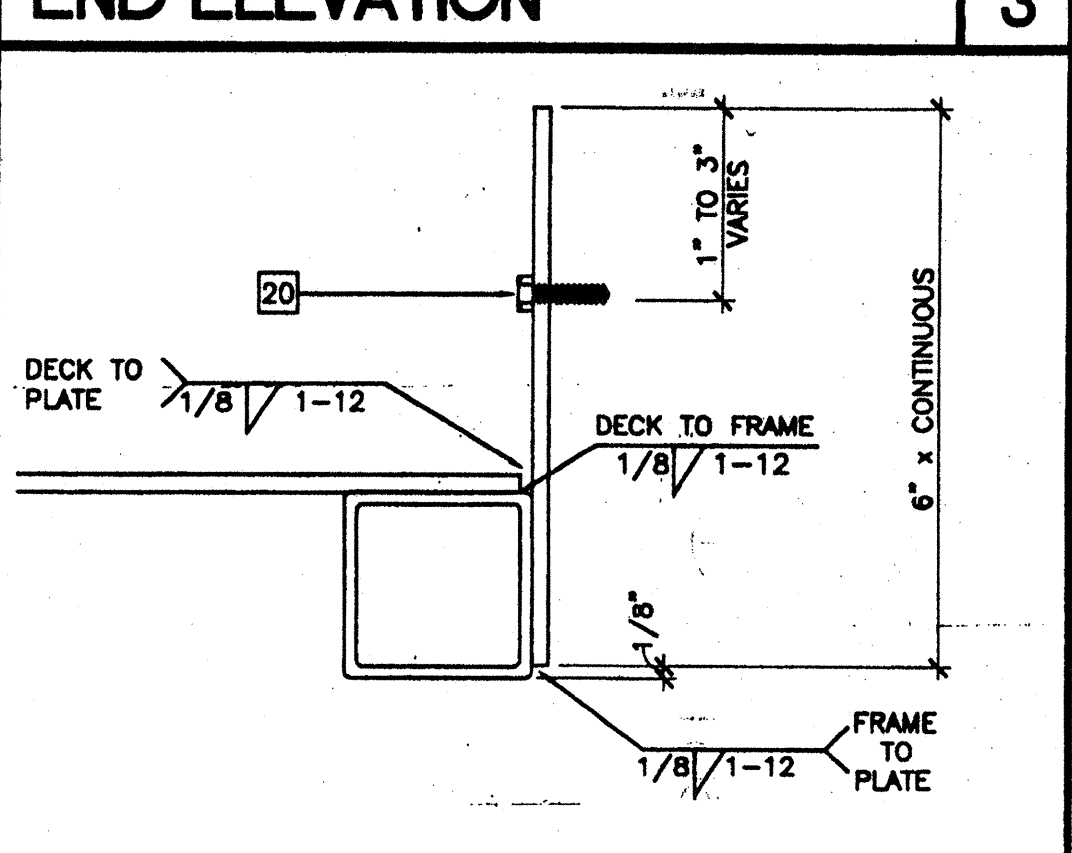
SCALE: NTS
SECTION AT INTERIOR FRAME 15



SCALE: 3"=1'-0"
SKIRT AT SILL PLATE 11



SCALE: 3"=1'-0"
ADJUSTABLE LEG BASE PLATE 7



SCALE: NTS
SECTION AT PLATE 4

- KEY NOTES**
- 1 TS 2"x2"x14 GA
 - 2 TS 1 1/2"x1 1/2"x14 GA (Fy = 39 KSI), EASED OR ROUNDED CORNERS.
 - 3 TS 1"x1"x16 GA WHEELCHAIR GUIDE
 - 4 2"x8" PRESSURE TREATED SILL PLATE
 - 5 2"x4"x12 GA BASE PLATE WITH 2-1/4"x1" LAGS
 - 6 SKIRTING: PLYWOOD TO MATCH BUILDING SIDING. BLOCK ALL EDGES. ATTACH WITH 8d AT 6" OC EDGES AND 12" OC FIELD. AT EDGE CONNECTION TO TS. USE #14x2" TEK SCREWS AT 6" OC
 - 7 12GA METAL DECK: NON-SLIP SURFACE. DESIGN COEFFICIENT OF FRICTION GREATER THAN 0.7. C.O.F. MAINTAINABLE FOR 1 YR. PROVIDE ROUNDED OR BEVELED EDGES ON STAIR NOSING
 - 8 EXISTING BUILDING.
 - 9 6"x10"x12 GA BASE PLATE AT RAMP TOE.
 - 10 LOWER LANDING BY DISTRICT
 - 11 RAMP BY MODTECH [RMP]
 - 12 FLUSH TRANSITION
 - 13 PAVE BY DISTRICT
 - 14 3"x1"x3"-0"x10 GA BENT PLATE
 - 15 FASTEN POSTS WITH 3/8" DIA THRU BOLT, TYPICAL
 - 16 RAMP LANDING, TYPICAL
 - 17 26 GA FLASHING
 - 18 3/8" DIAx2" LONG MB WITH NUT & WASHERS
 - 19 CAULKING
 - 20 6"x10GA CONTINUOUS PLATE WITH #14x2" TEK SCREWS AT 9" OC INTO WOOD OR FOUNDATION BLOCKS OR #14x2" TEK SCREWS INTO METAL AT 9" OC
 - 21 PROVIDE DIVERSION FOR WATER FROM DOWNSPOUT FOR THIS CONDITION. BY DISTRICT
 - 22 TS 1 1/4"x1 1/4"x14 GA (Fy = 39 KSI)
 - 23 4" MINIMUM BUILDING SEPARATION
 - 24 2" SLIP RESISTANT WARNING STRIPES MAX 1" FROM EVERY STAIR NOSING. USE CONTRASTING COLOR.
 - 25 TS 2 1/2"x1 1/2"x8 GA ASTM A500 GRADE A
 - 26 2"x2" NAILER WITH 16d AT 12" OC
 - 27 RAMP WIDTH MINIMUM CLEAR DIMENSION IS 4'-0" IF AT LEAST TWO EXIT/DISCHARGE ARE REQUIRED OR 5'-0" IF ONLY ONE EXIT/DISCHARGE IS REQUIRED. SEE CBC11338.5.2.2

REVISIONS

Electrical Engineer's Seal
 Mechanical Engineer's Seal
 PC Professional of Record Seal
 ARCHITECT
 GEORGE C. EDWARDS
 ARCHITECT
 LICENSE NO. 104801
 STATE OF CALIFORNIA
 IDENTIFICATION STAMP
 DIV. OF THE STATE ARCHITECT
 OFFICE OF REGULATION SERVICES
 PC-04
 104801
 DATE 6/1/23

MODTECHTM
 2830 BARRETT AVENUE PERRIS, CALIF. 92571
 PH (909) 943-4014 FAX (909) 940-0427

PROJECT NUMBER: _____
 © MODTECH, INC. 2002
 CLASS LEASING INC STOCKPILE # 69
 200- 5' WIDE RAMPS FOR SITE SETUP
RAMP/STAIR DETAILS

IDENTIFICATION STAMP
 DIV. OF THE STATE ARCHITECT
 APP03 115335
 AC MFLS ✓ SS ED
 DATE JAN 08 2014
 IDENTIFICATION STAMP
 DIV. OF THE STATE ARCHITECT
 OFFICE OF REGULATION SERVICES
 04 105274
 AC MFLS ✓ SS ED
 DATE MAY 15 2002
 DRAWN BY: s/rs/ab
 DATE: 6/1/23
 CHECKED BY: s/rs/ab
 DATE: 6/1/23
 MODTECH Index No.
R1.02

PROJECT NO. PC-04-104801 FILE PATH: 2440-RT-02.DWG