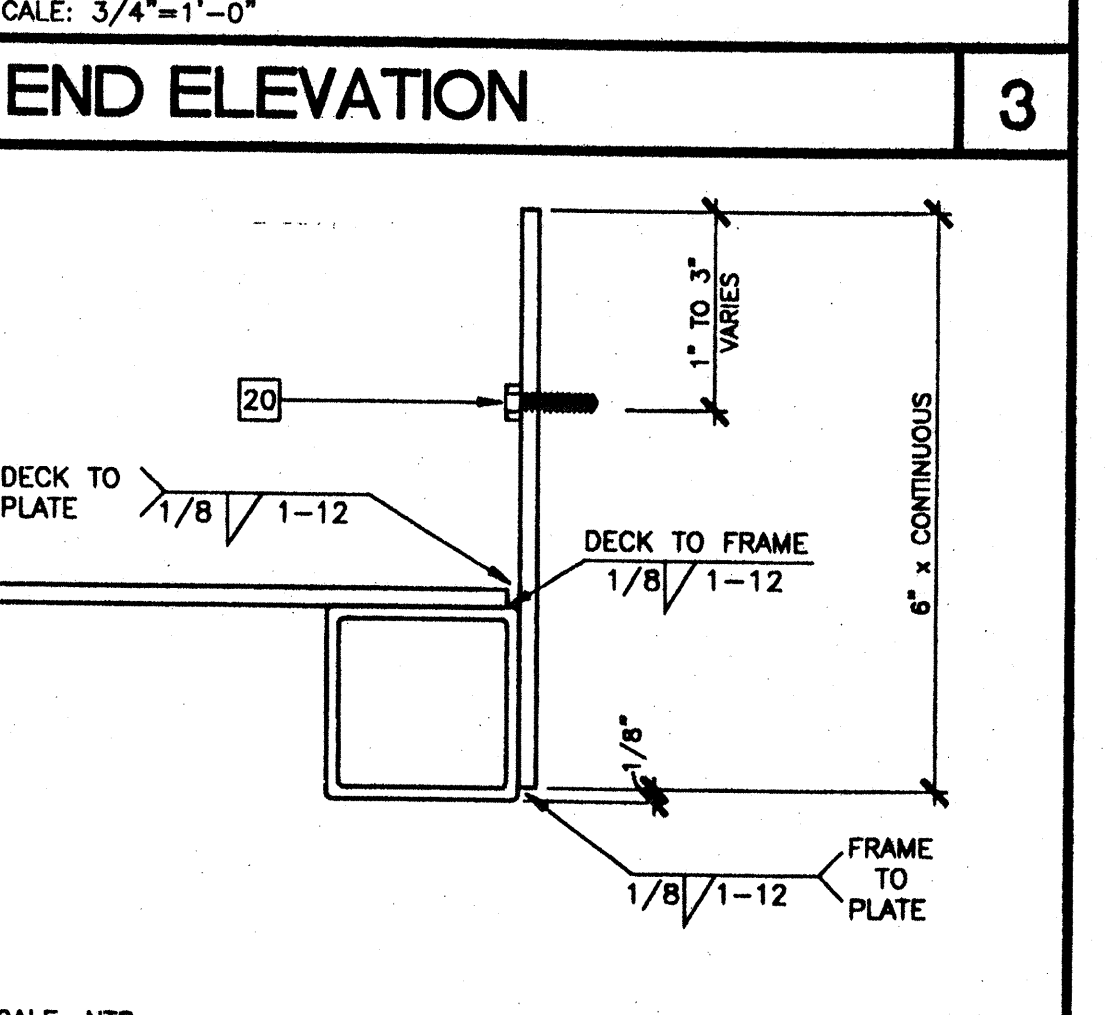
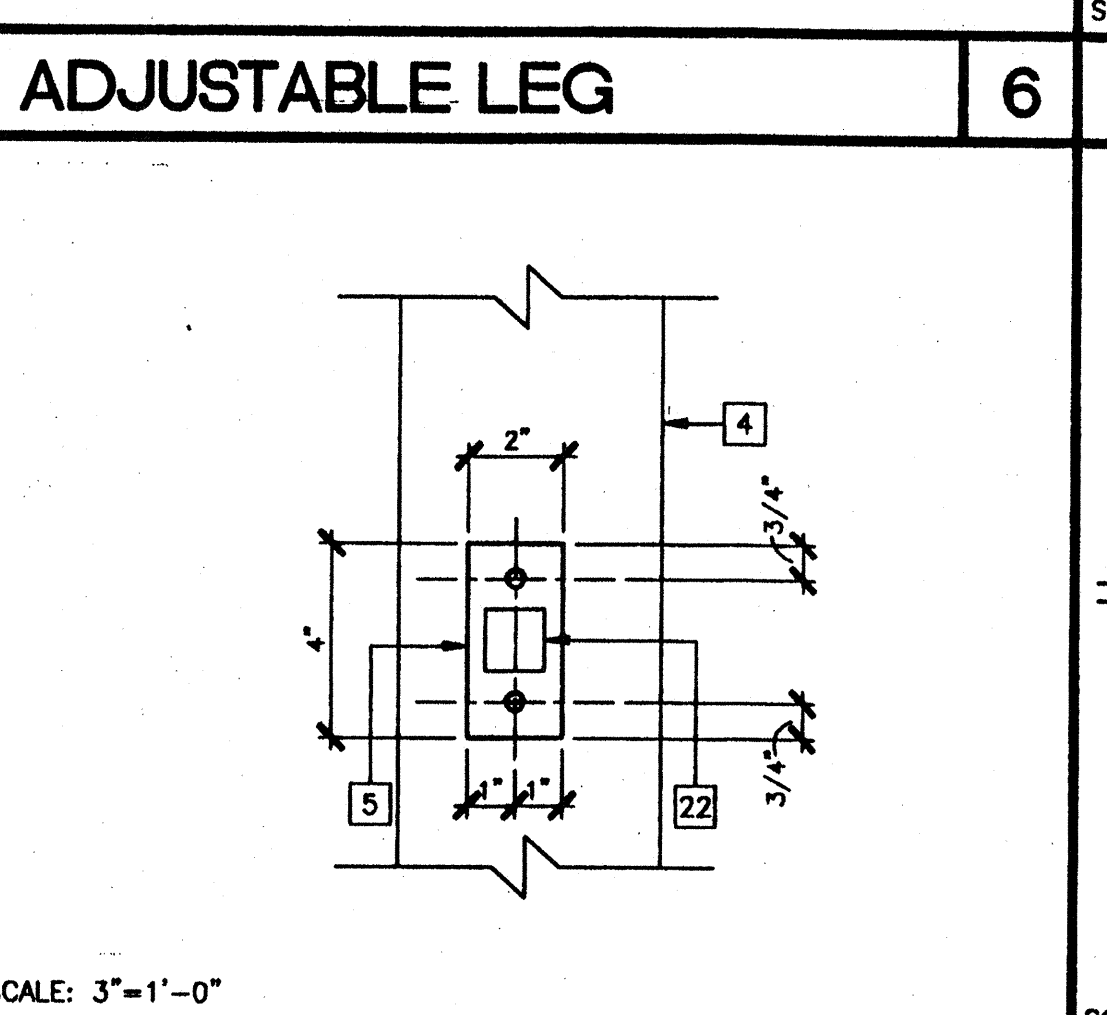
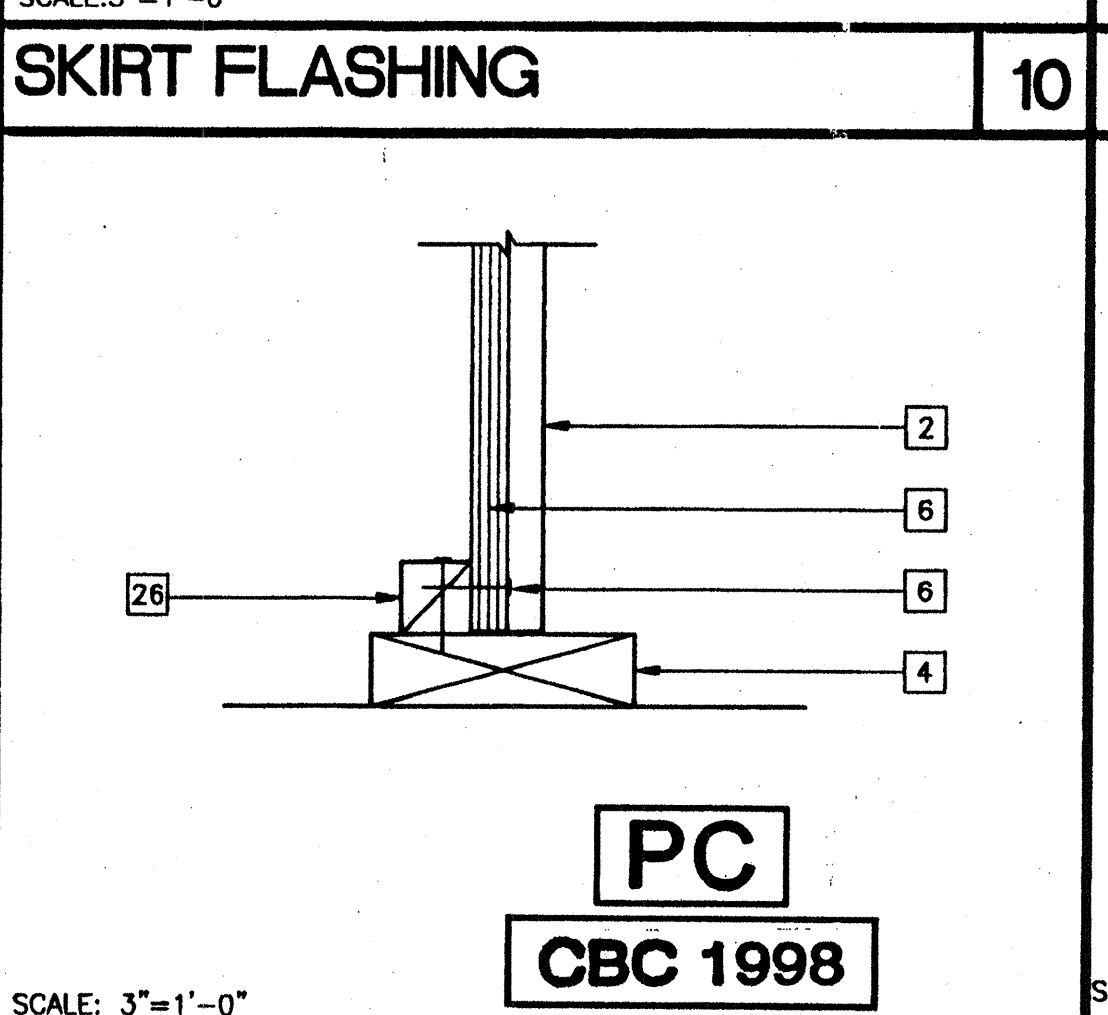
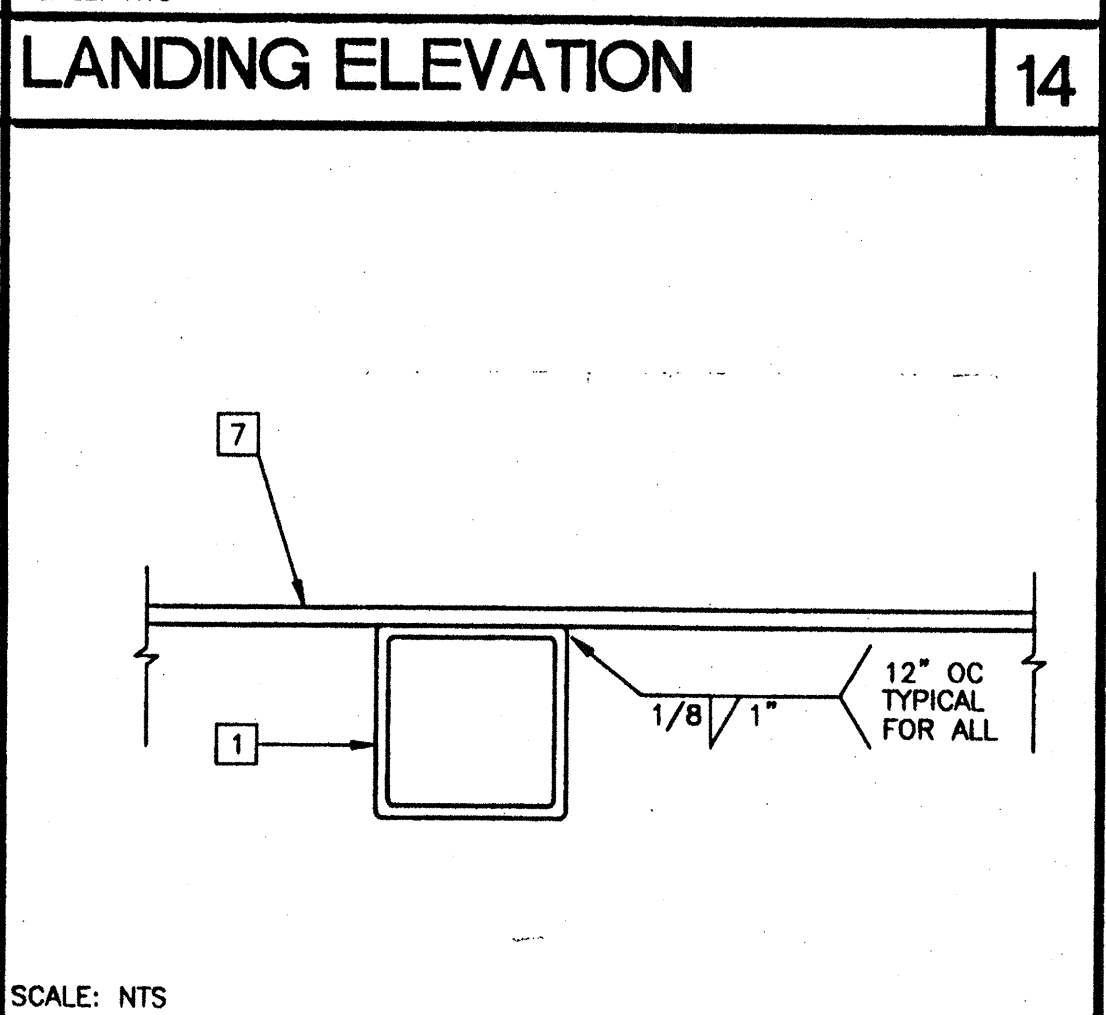
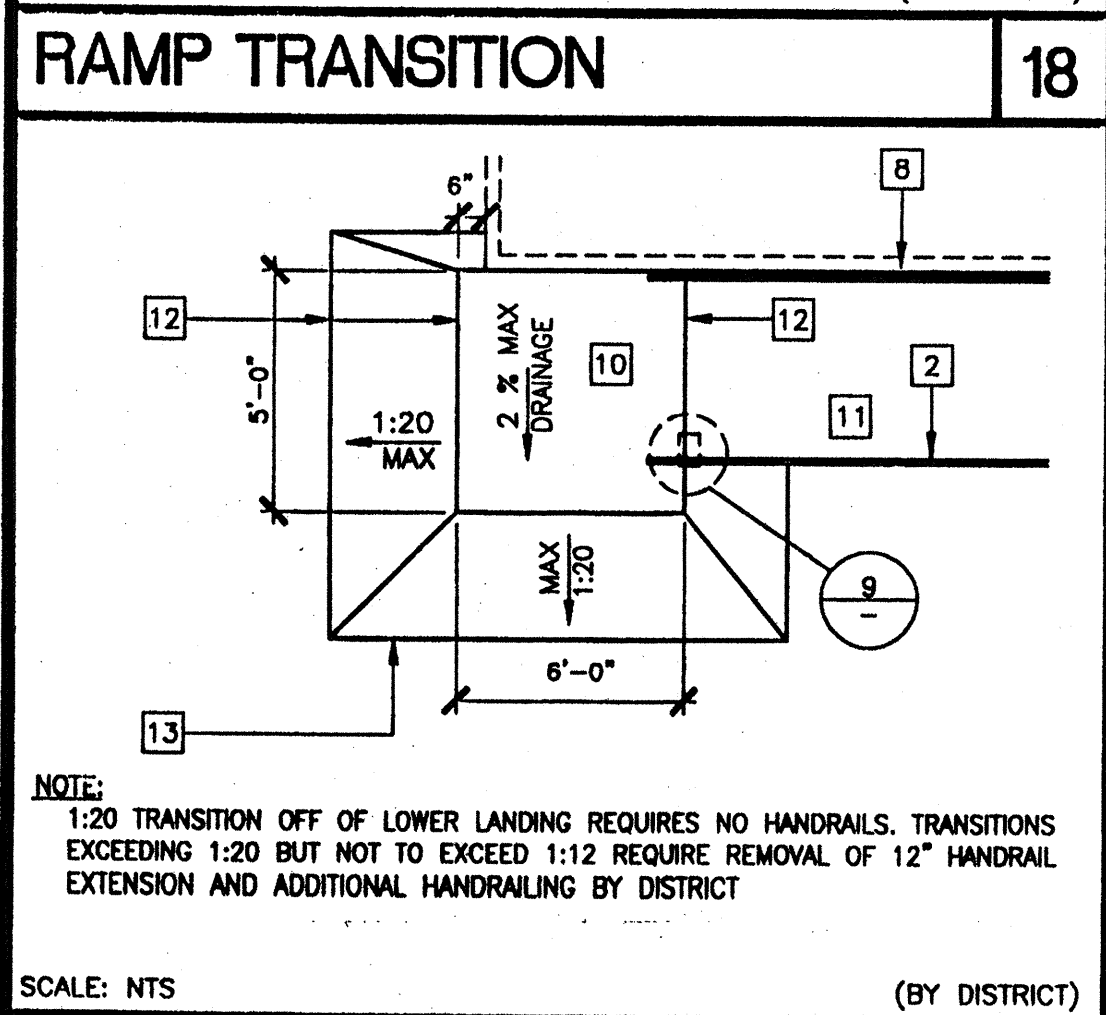
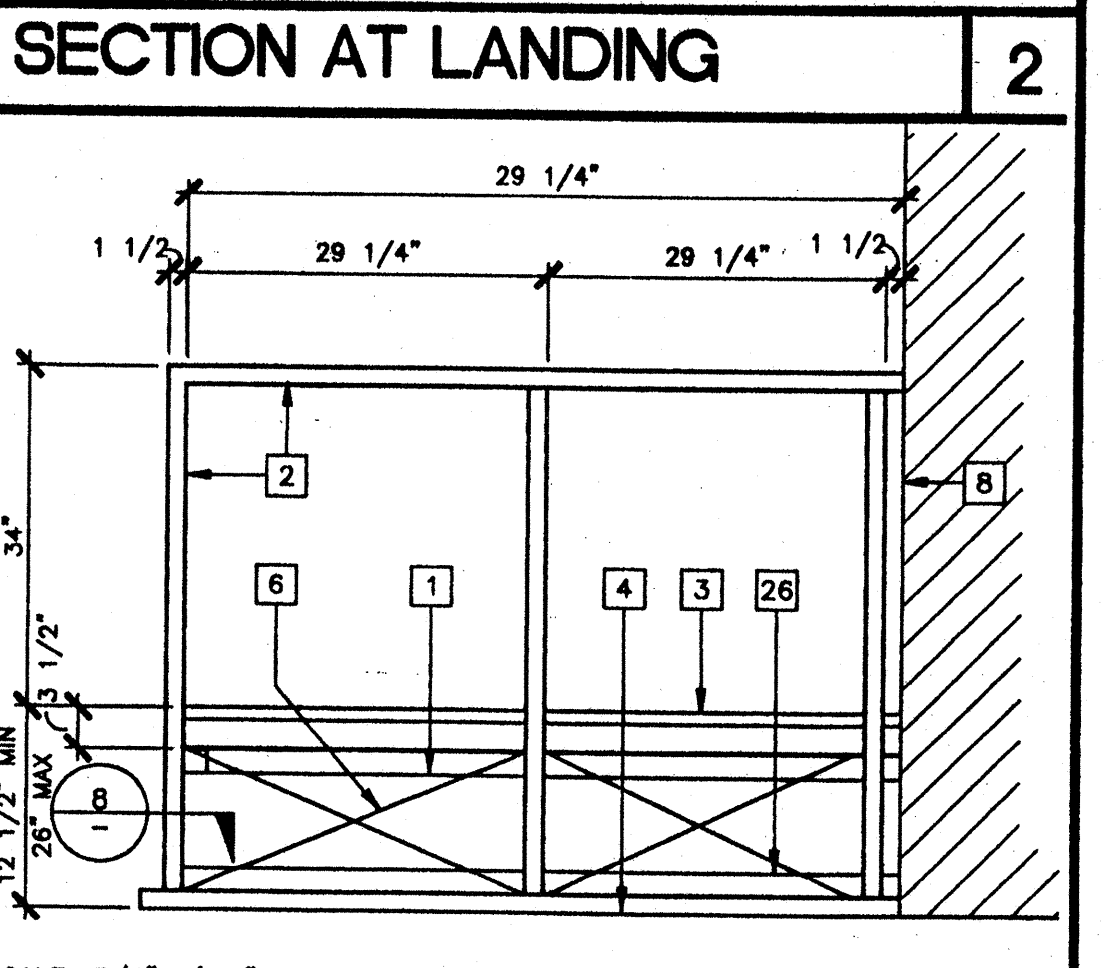
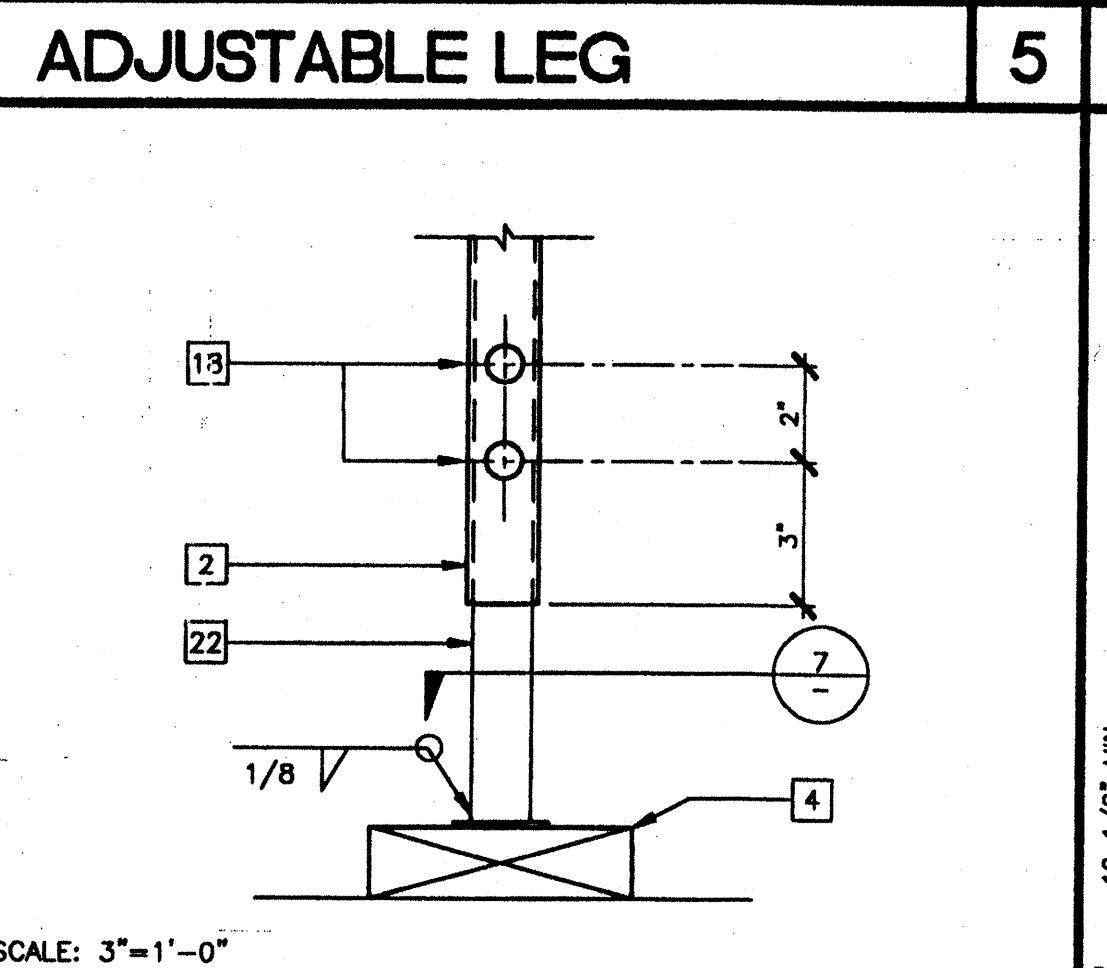
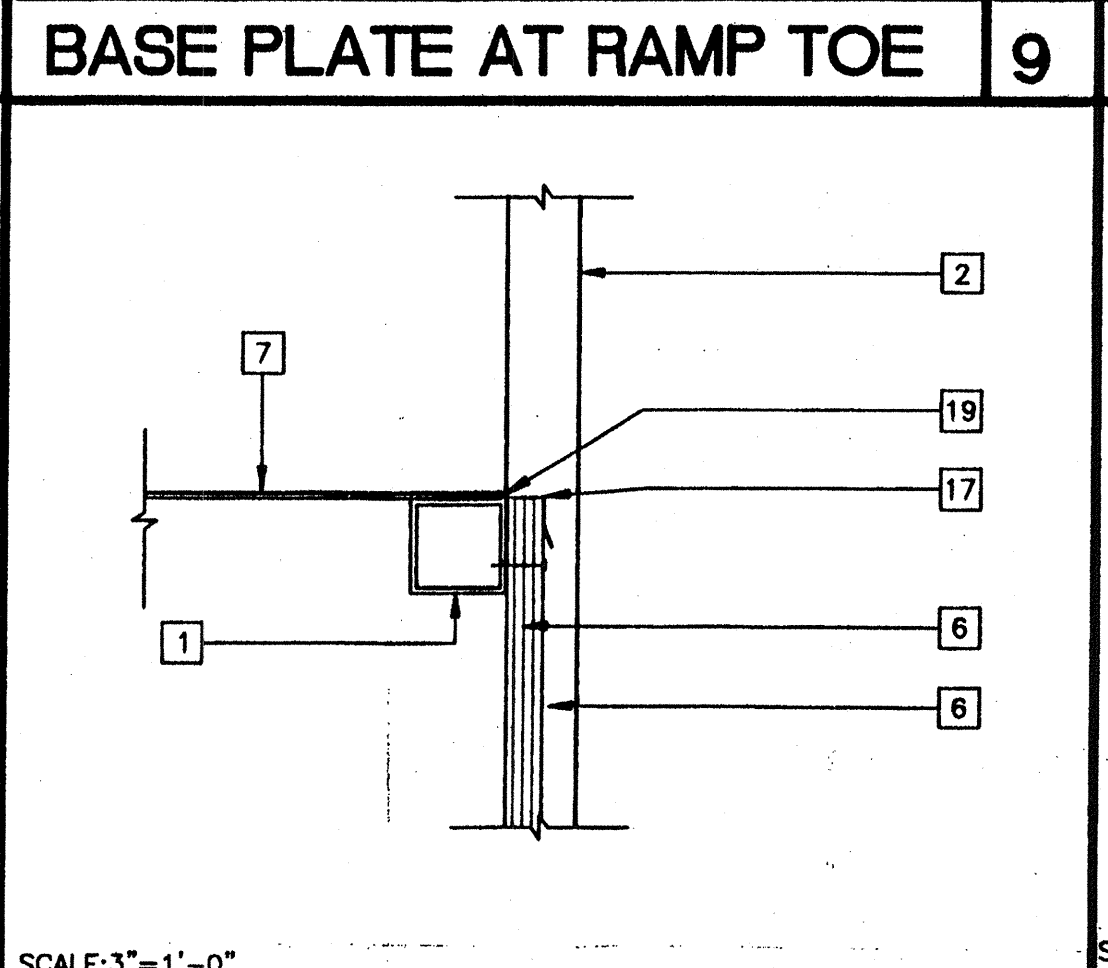
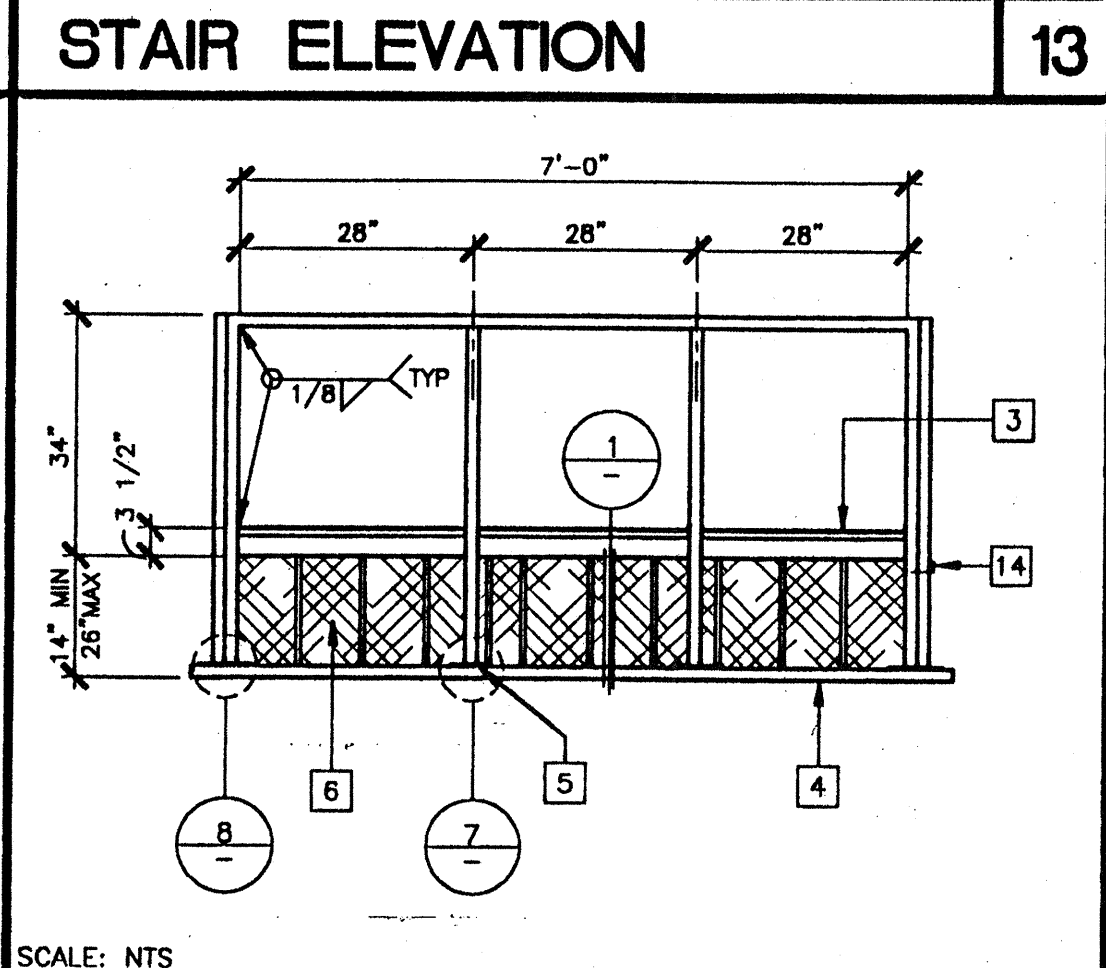
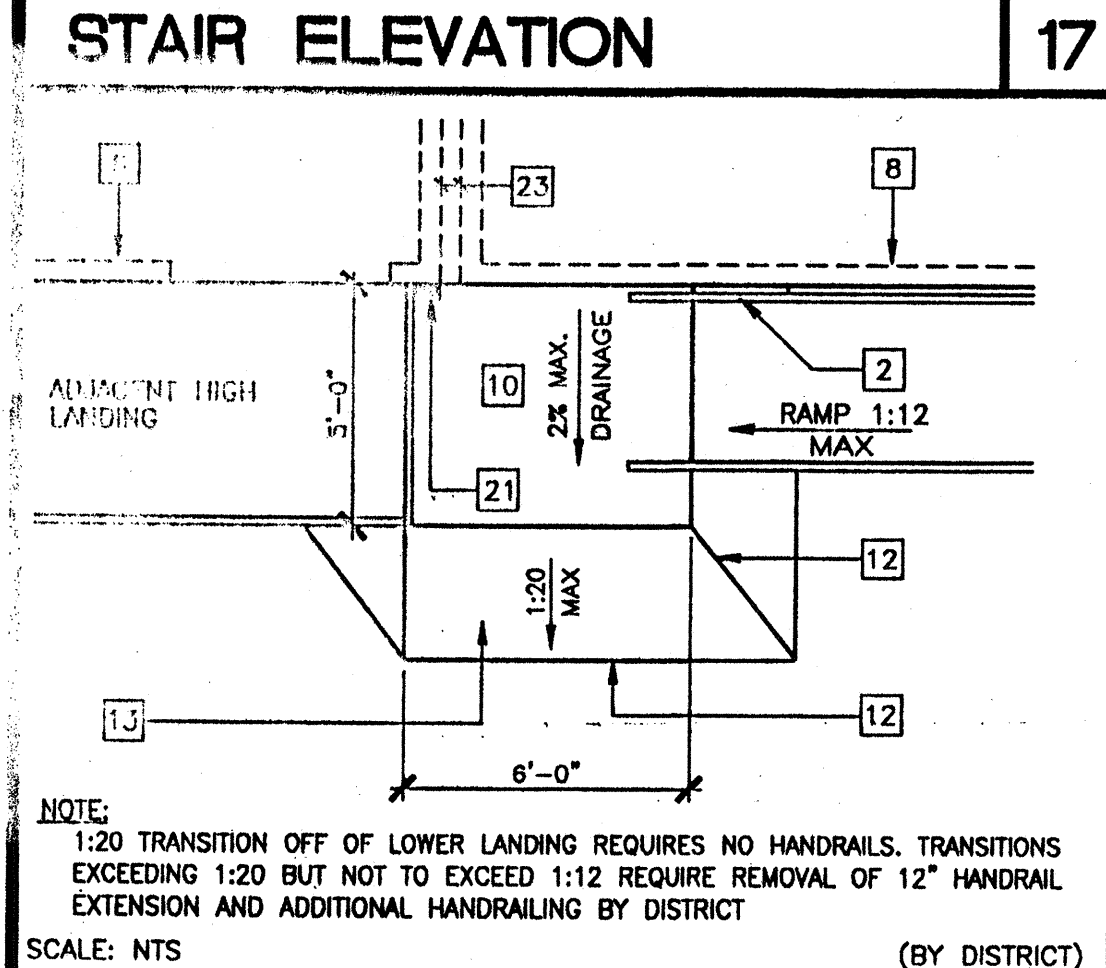
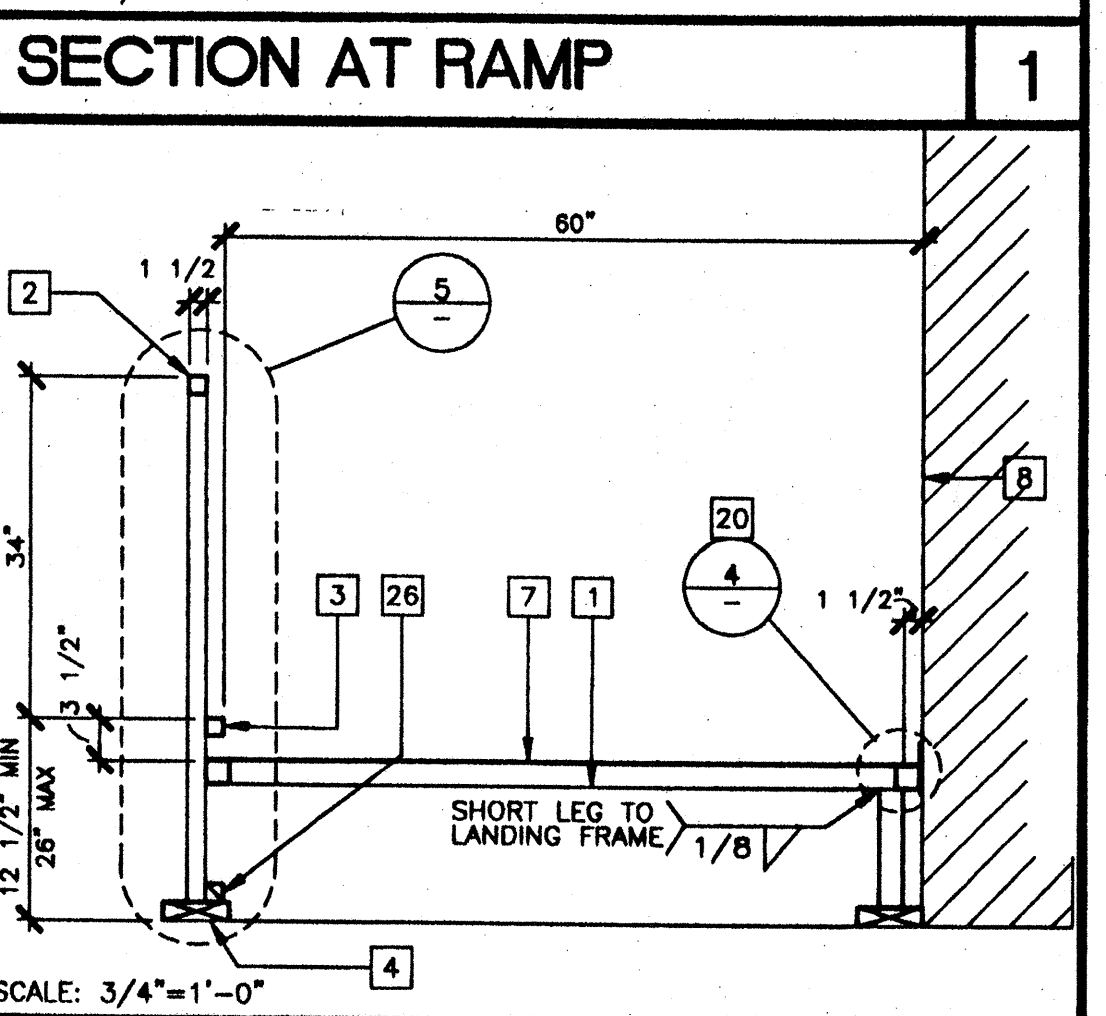
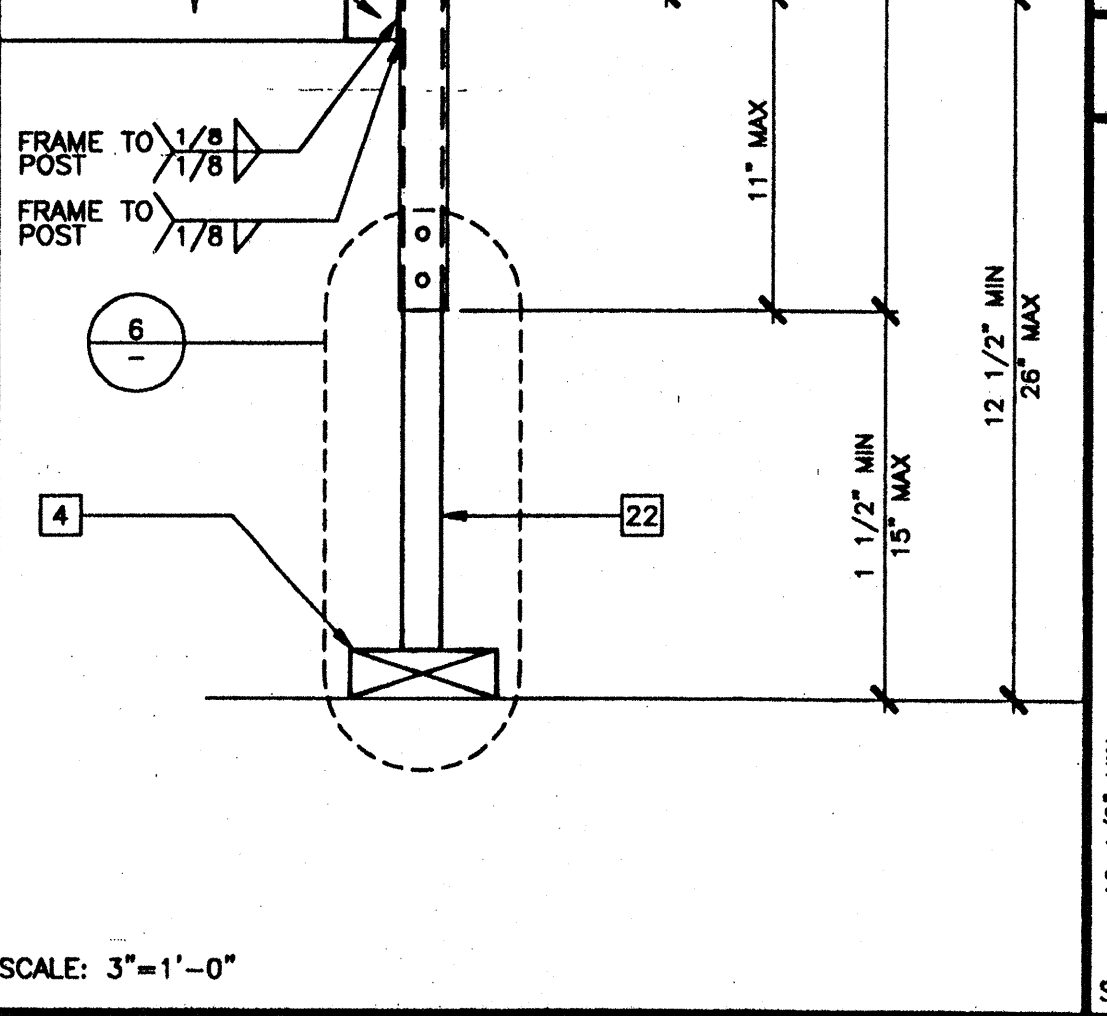
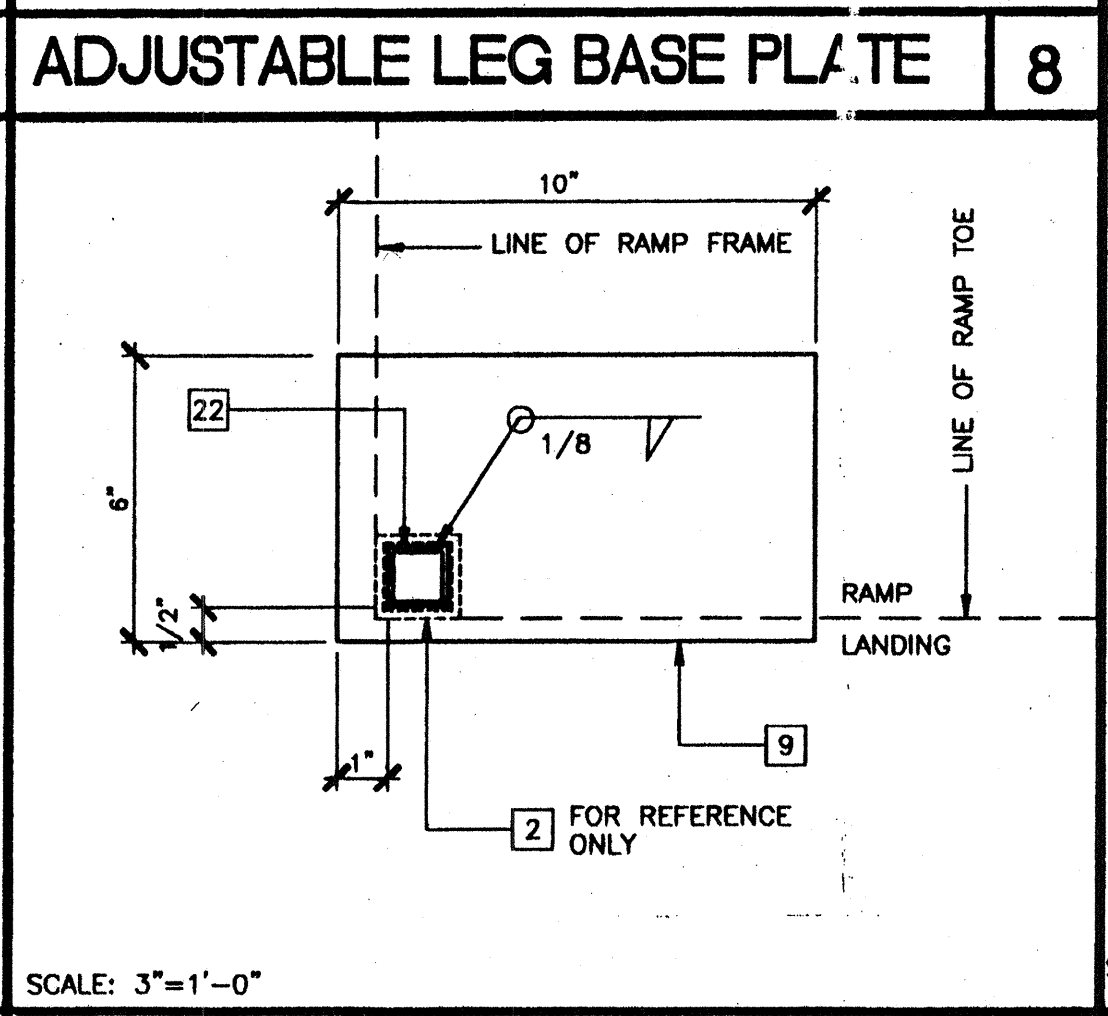
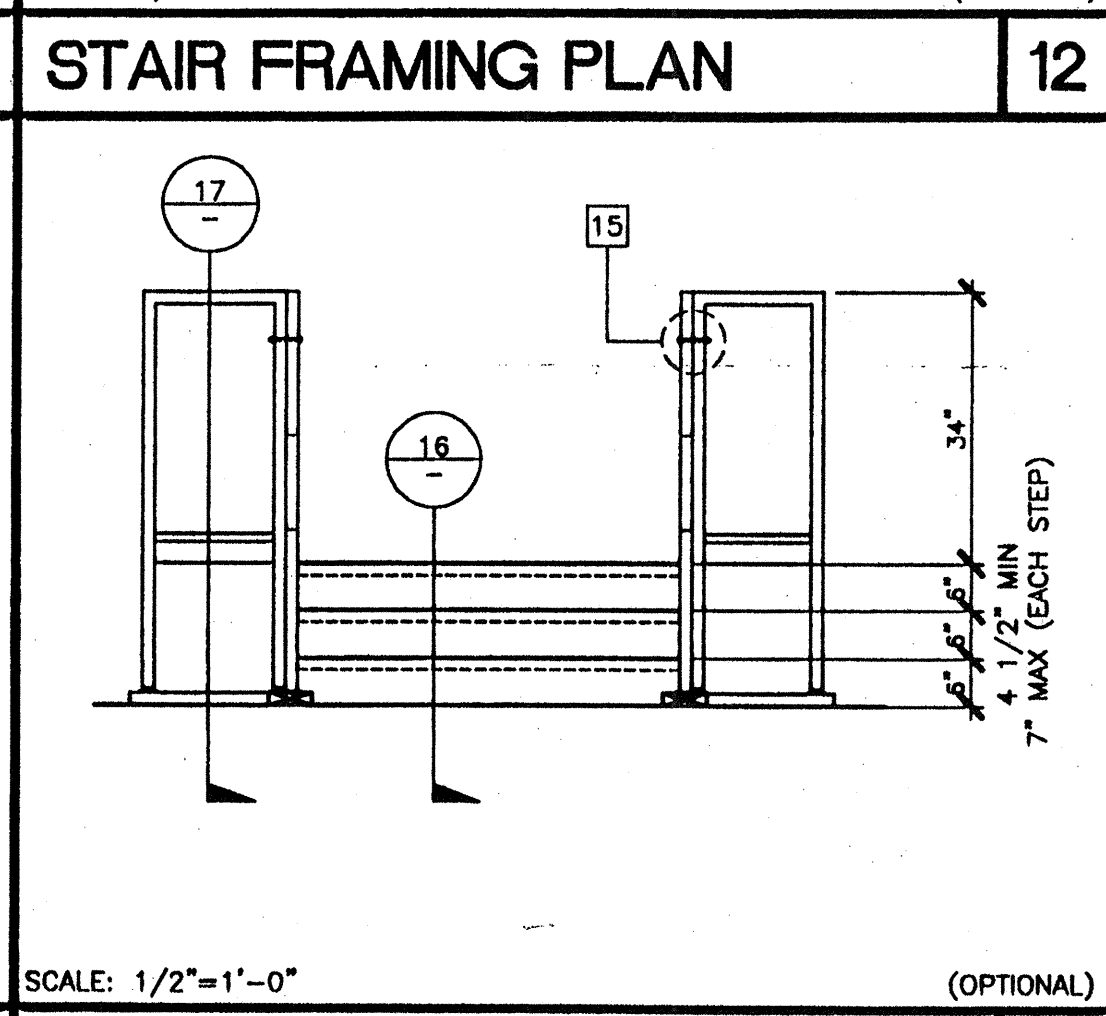
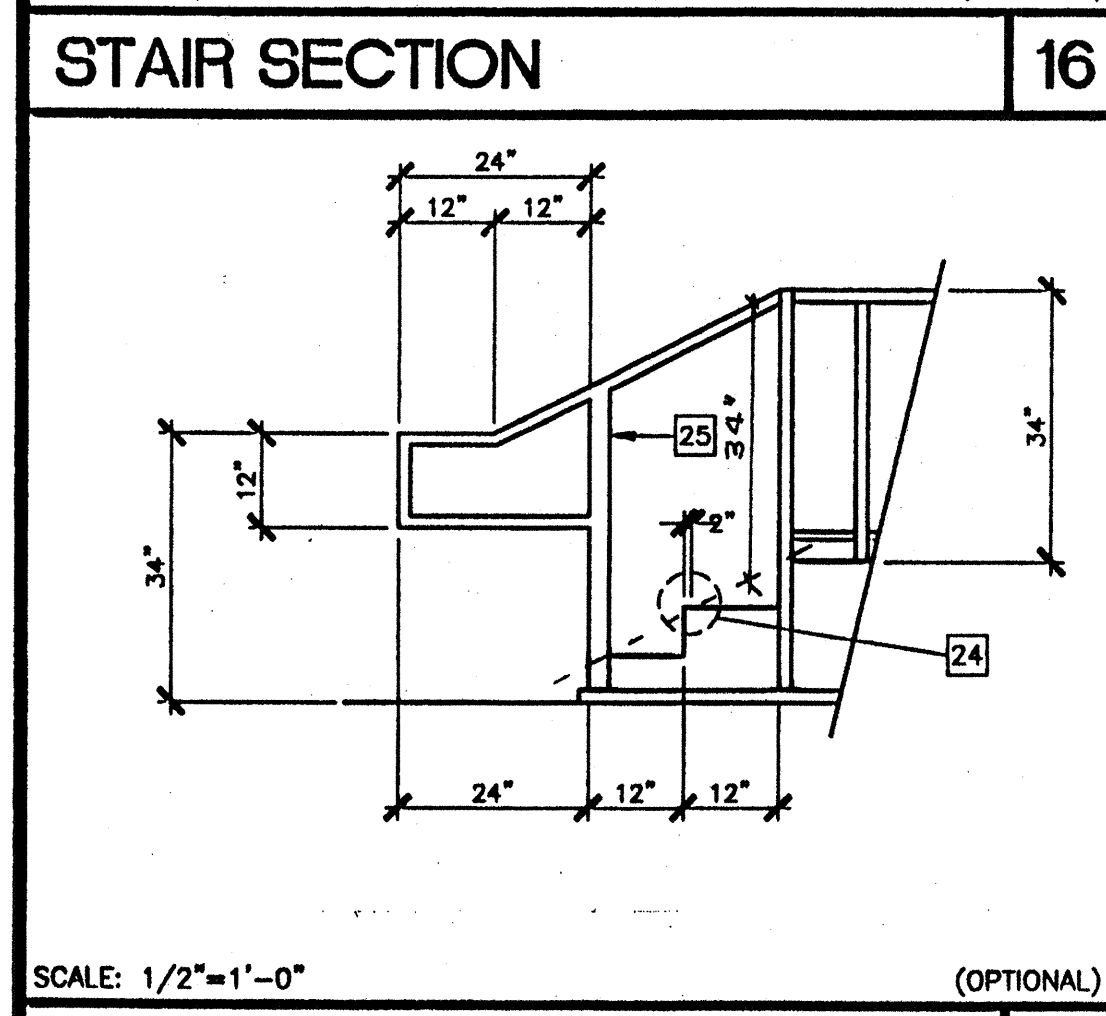


KEY NOTES

- 1 TS 2"x2"x14 GA
- 2 TS 1 1/2"x1 1/2"x14 GA (Fy = 39 KSI) ROUNDED OR BEVELED AT CORNERS.
- 3 TS 1"x1"x16 GA WHEELCHAIR GUIDE
- 4 2"x6" PRESSURE TREATED SILL PLATE
- 5 2"x4"x12 GA BASE PLATE WITH 2-1/4"x1" LAGS
- 6 SKIRTING: PLYWOOD TO MATCH BUILDING SIDING. BLOCK ALL EDGES. ATTACH WITH 8d AT 8" OC EDGES AND 12" OC FIELD. AT EDGE CONNECTION TO TS. USE #14x2" TEK SCREWS AT 6" OC
- 7 12GA METAL DECK: NON-SLIP SURFACE. DESIGN COEFFICIENT OF FRICTION GREATER THAN 6%. MAINTAINABLE FOR 1 YR.
- 8 EXISTING BUILDING.
- 9 6"x10"x12 GA BASE PLATE AT RAMP TOE.
- 10 LOWER LANDING BY DISTRICT
- 11 RAMP BY MODTECH
- 12 FLUSH TRANSITION
- 13 PAVE BY DISTRICT
- 14 3"x1"x3"-0"x10 GA BENT PLATE
- 15 FASTEN POSTS WITH 3/8" DIA THRU BOLT, TYPICAL
- 16 RAMP LANDING, TYPICAL
- 17 26 GA FLASHING
- 18 3/8" DIAx2" LONG MB WITH NUT & WASHERS
- 19 CAULKING
- 20 6"x10GA CONTINUOUS PLATE WITH #14x2" TEK SCREWS AT 9" OC INTO WOOD OR FOUNDATION BLOCKS OR #14x2" TEK SCREWS INTO METAL AT 9" OC
- 21 PROVIDE DIVERSION FOR WATER FROM DOWNSPOUT FOR THIS CONDITION. BY DISTRICT
- 22 TS 1 1/4"x1 1/4"x14 GA (Fy = 39 KSI)
- 23 4" MINIMUM BUILDING SEPARATION
- 24 2" SLIP RESISTANT WARNING STRIPES MAX 1" FROM EVERY STAIR NOSING. USE CONTRASTING COLOR.
- 25 TS 2 1/2"x1 1/2"x8 GA ASTM A500 GRADE A
- 26 2"x2" NAILER WITH 16d AT 12" OC
- 27 PROVIDE ROUNDED OR BEVELED EDGES ON STAIR NOSING.



REVISIONS

▲			
▲			
▲			
▲			

Electrical Engineer's Seal
Mechanical Engineer's Seal
Structural Engineer's Seal

Architects Seal

 IDENTIFICATION STAMP
 DIV. OF THE STATE ARCHITECT
 OFFICE OF REGULATION SERVICES
 PC-04
 101268
 DATE: SEP 07 2000

MODTECH INC.
 2830 BARRETT AVENUE
 PERRIS, CALIF. 92572
 PH (909) 943-4014
 FAX (909) 940-0427

PROJECT NUMBER:
 © MODTECH, INC. 1999
 STOCKPILE #53
 CLASS LEASING INC #3513
 4012-107 80 MPH
 100- 24x40 CLASSROOMS

IDENTIFICATION STAMP
 DIV. OF THE STATE ARCHITECT
 APPROX 115335
 AC MF FLS SS ED
 DATE: JAN 08 2014

IDENTIFICATION STAMP
 DIV. OF THE STATE ARCHITECT
 OFFICE OF REGULATION SERVICES
 102365
 DATE: JUL 06 2000

DRAWN BY: 3860
 CHECKED BY: 3753
 DATE: 7/6/00
 MODTECH Index No. 3720
3513

R1.02

FILE PATH: 2440-R1.02.DWG PROJECT NO. 3104, 3105, 4210, 4032, 4131 PC-04-101268