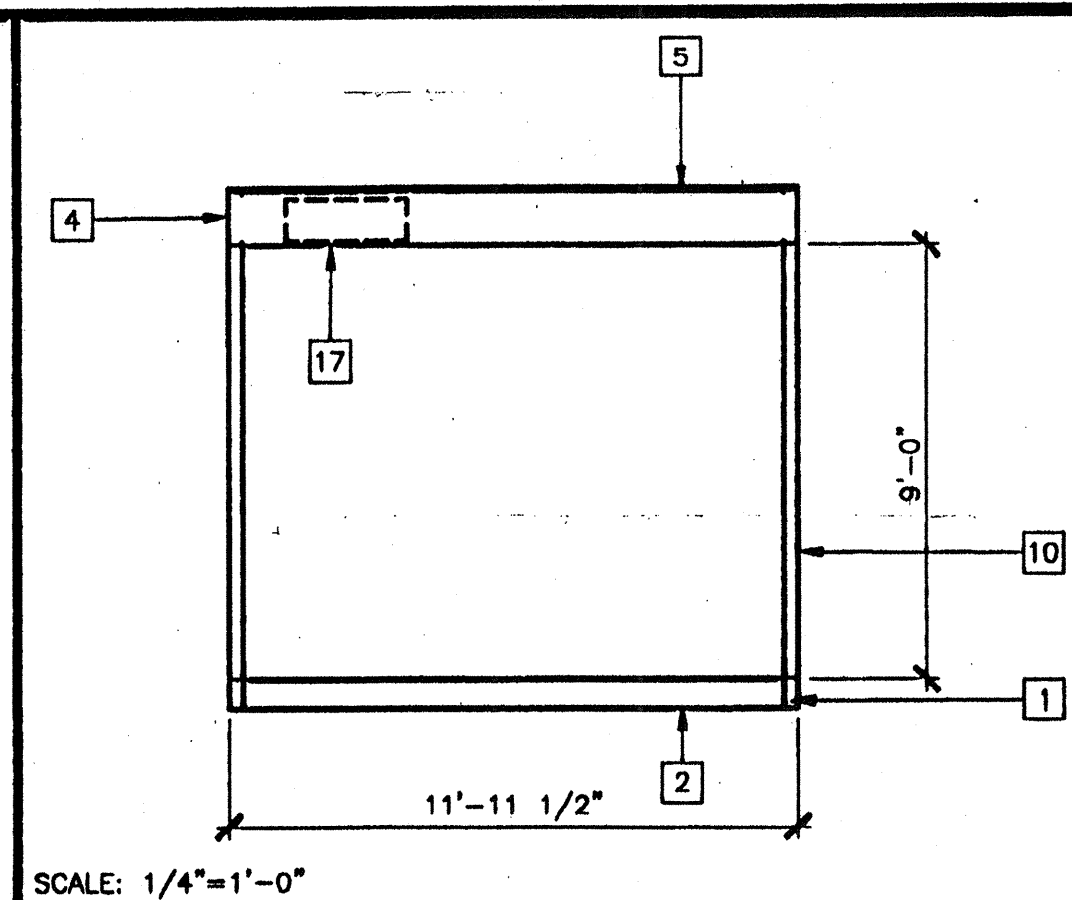
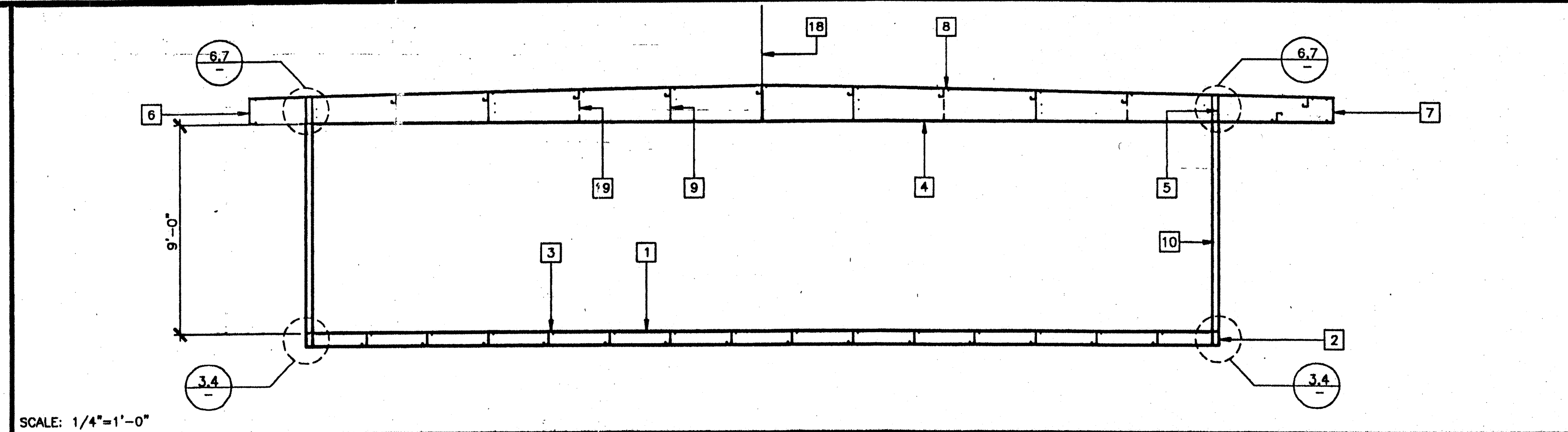


SCALE: NTS
OPTIONAL BEAM PENETRATION 11

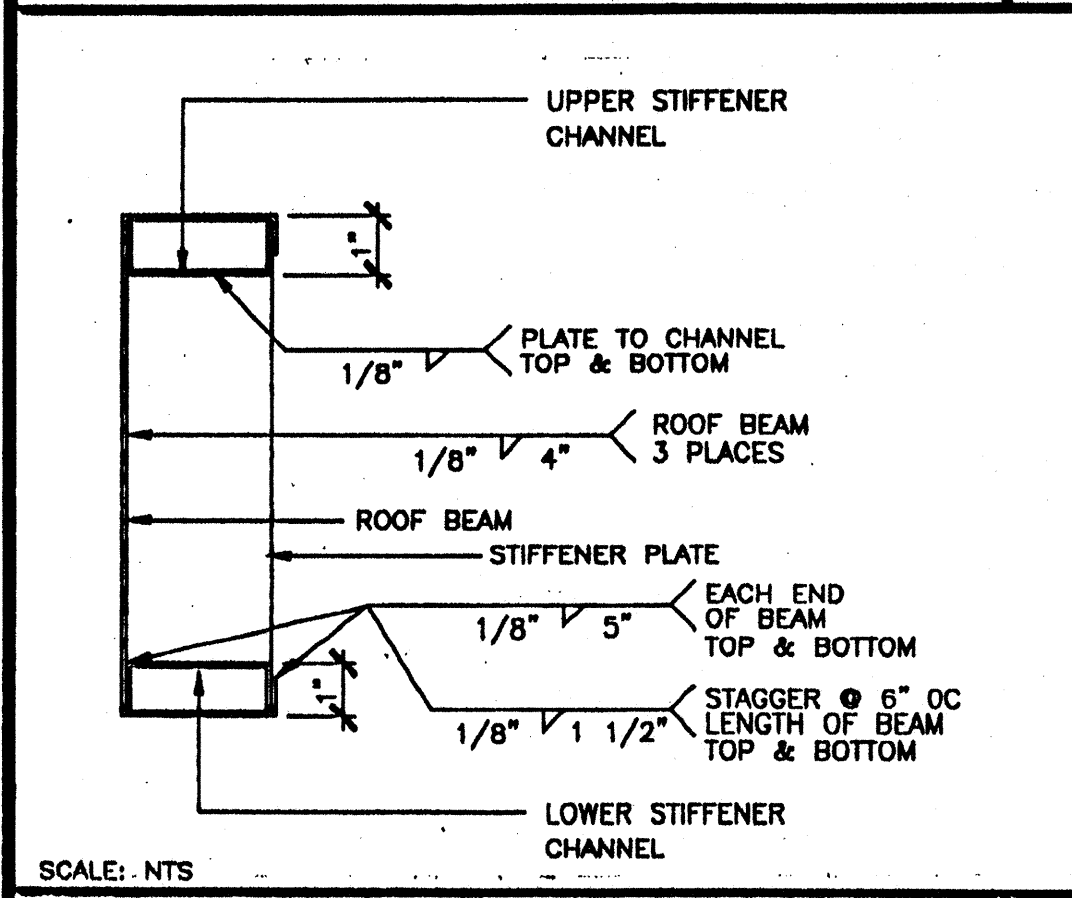


SCALE: 1/4"=1'-0"
SECTION AT END WALL 17

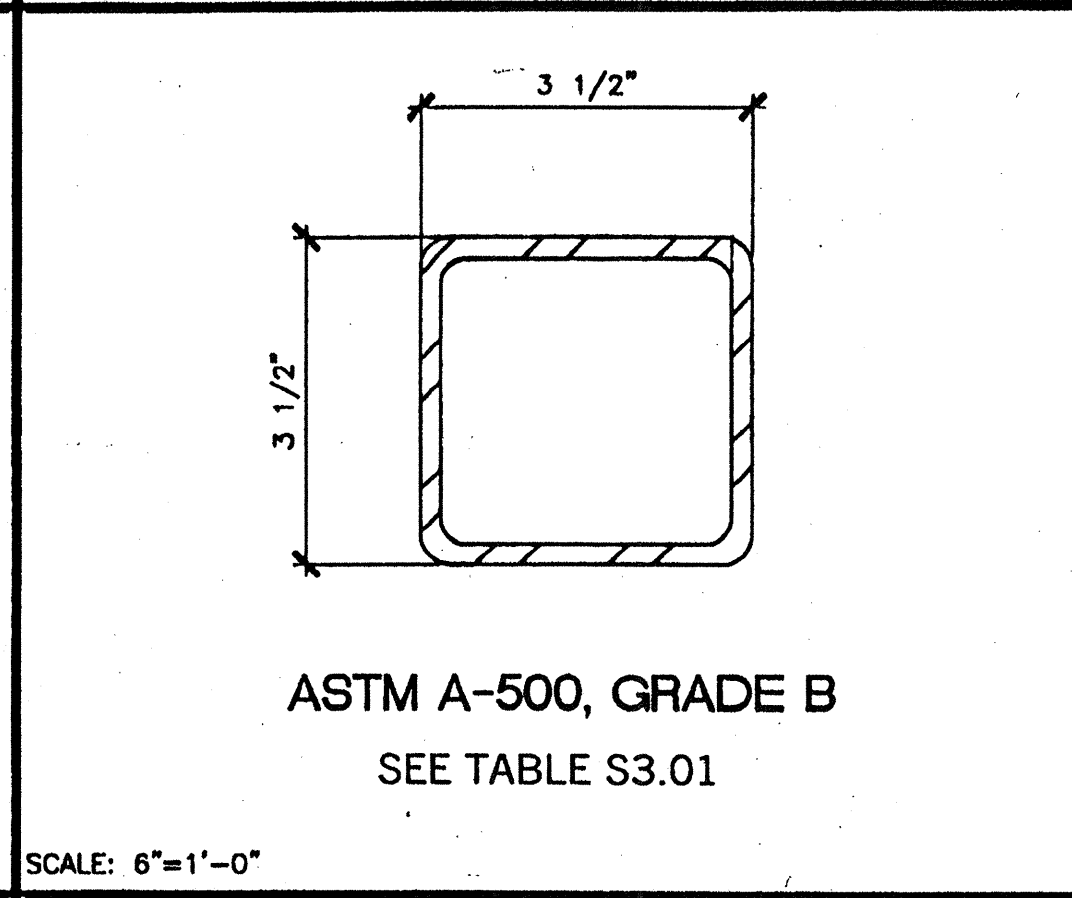


SCALE: 1/4"=1'-0"
SECTION AT SIDE WALL 18

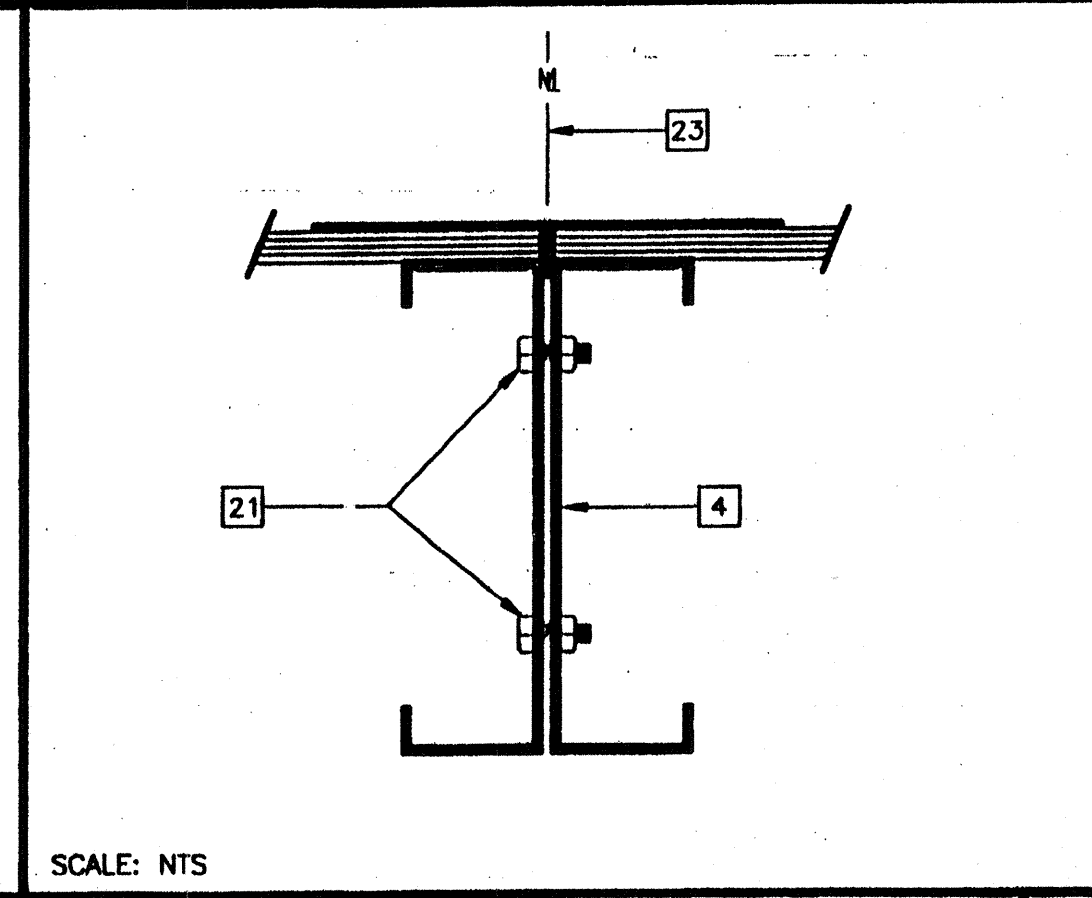
- KEY NOTES**
- FLOOR BEAM - 1/S1
 - FLOOR HEADER - 1/S1
 - FLOOR JOIST - 2/S1
 - TAPERED ROOF BEAM - 1/S2.01
 - ROOF HEADER - 2/S2.01
 - ROOF FASCIA AT 2'-6" OVERHANG - 3/S2.01
 - ROOF FASCIA AT 5'-0" OVERHANG - 3/S2.01
 - ROOF PURLIN - 4/S2.01
 - 1/4" FULL DEPTH STIFFENER PLATE AT 8'-0" OC TYPICAL ALIGN WITH PURLIN - 9/S2.01
 - TUBE STEEL COLUMN, SEE TABLE BELOW, 8/S3.01
 - 3 1/2"x3 1/2"x1/4" STEEL STIFFENER PLATE. WHEN CONCRETE FOUNDATIONS ARE USED REPLACE LOWER PLATE WITH 5"x8"x1/4" ANCHOR BOLT PLATE - 3/S1
 - 3 1/2"x3 1/2"x1/4" TUBE STEEL STUB
 - 3"x3"x10 GA. TUBE STEEL BACK UP TUBE OR 4" TO GA BACK UP PLATES
 - 3 1/2"x3 1/2"x1/4" ANGLE STIFFENER
 - BACK-UP PLATE - 10 GA MIN
 - 1/4" BASE PLATE - INSERT FLUSH WITH STIFFENER TUBE
 - HVAC DUCT OPENING - 12/S2.01
 - RIDGE
 - 1/4" FULL DEPTH STIFFENER PLATE AT 4'-0" OC AT EXTERIOR SIDEWALLS ONLY FOR 80 MPH DESIGN WIND LOAD ONLY
 - HAND HOLE AT BOLT LOCATION
 - 5/8" MB A307 AT MODULE CONNECTION JOINT - SEE FLOOR/ROOF FRAMING PLANS
 - FLOOR SHEATHING
 - MODULE JOINT



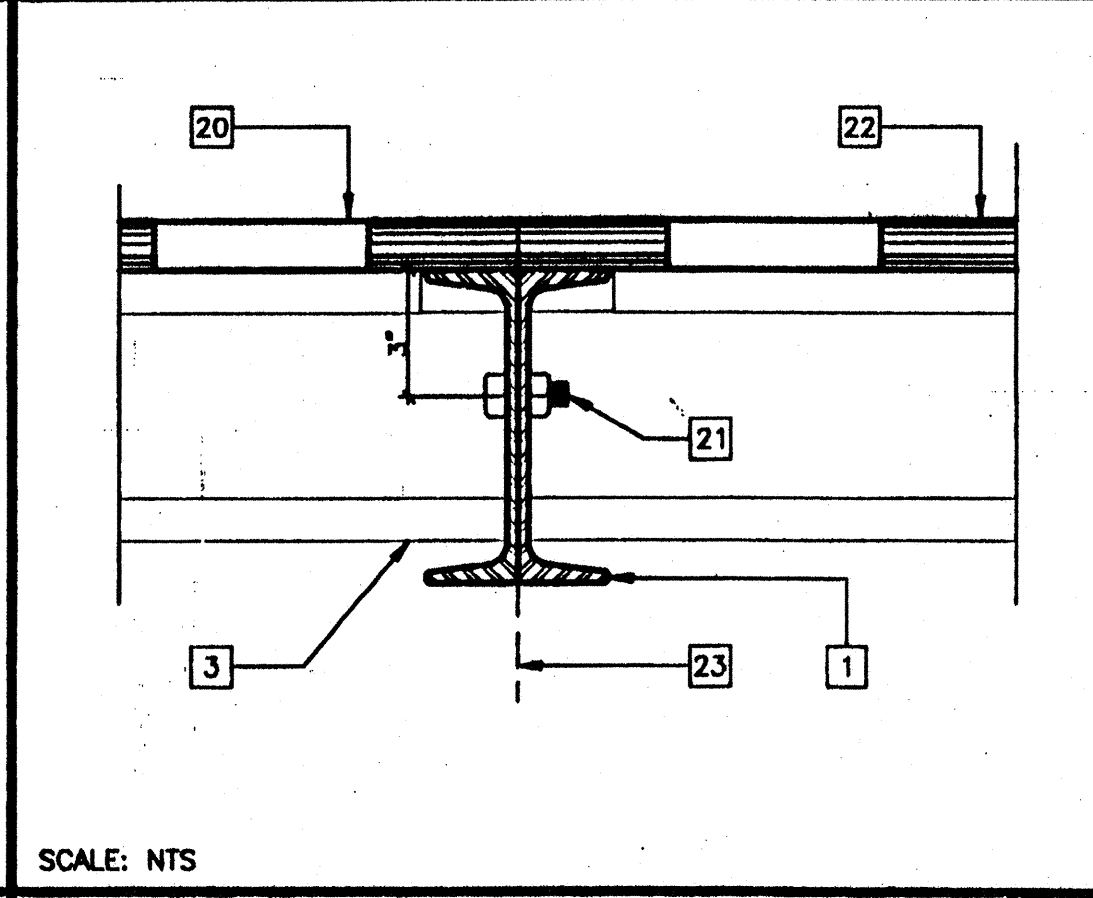
SCALE: NTS
PENETRATION REINFORCEMENT 12



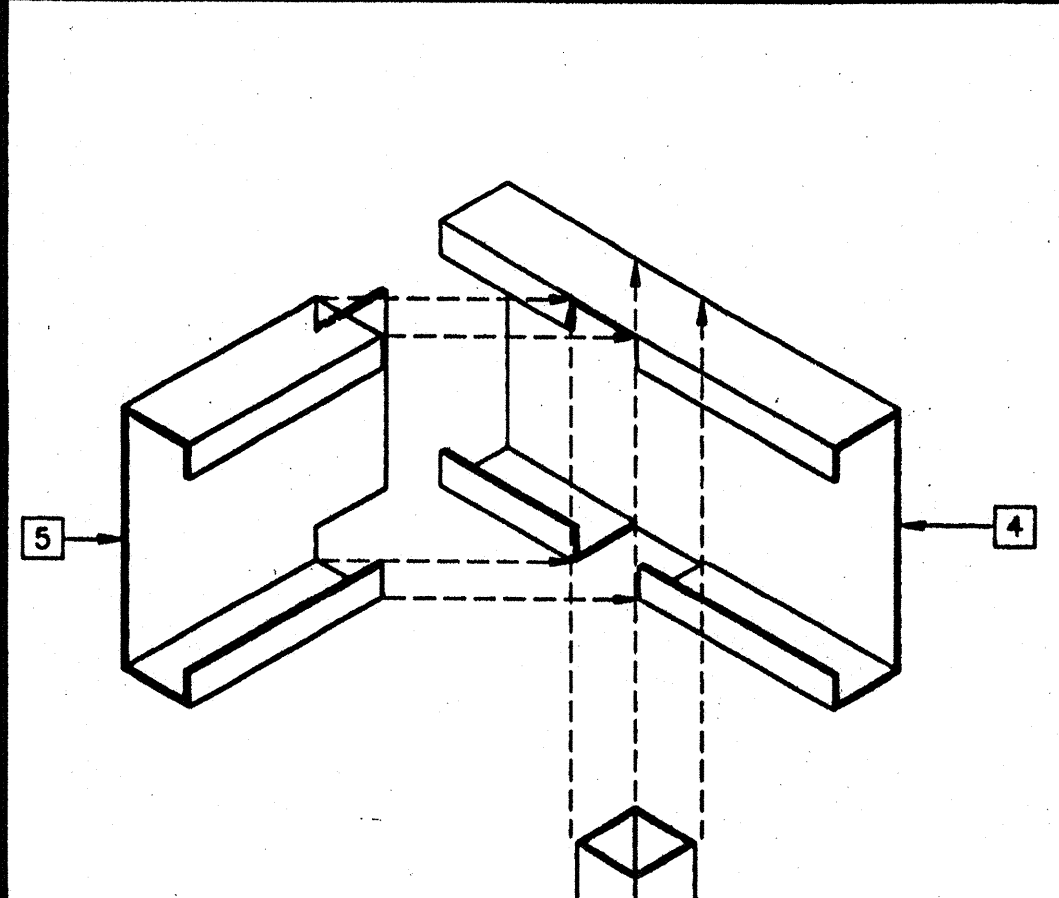
SCALE: 6"=1'-0"
TUBE STEEL COLUMN/STIFFENER 8



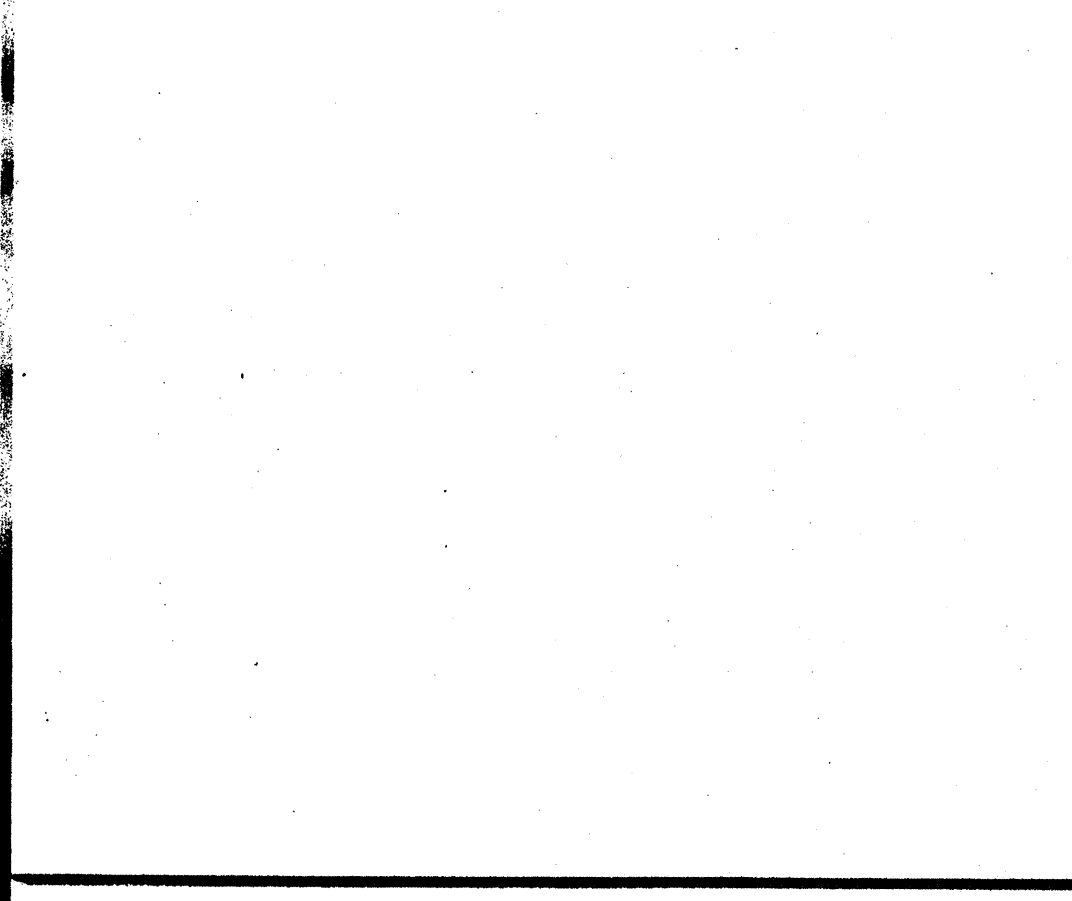
SCALE: NTS
MODULE CONNECTION AT ROOF 5



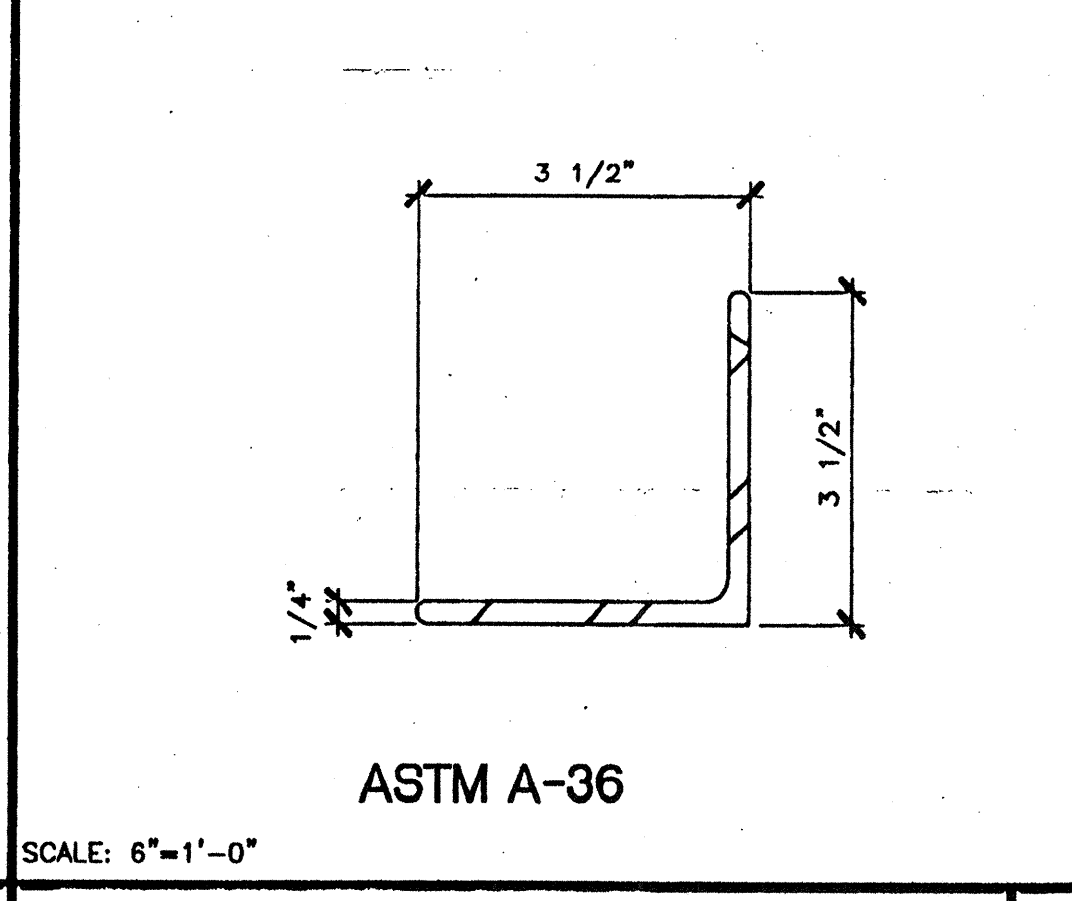
SCALE: NTS
MODULE CONNECTION AT FLOOR 2



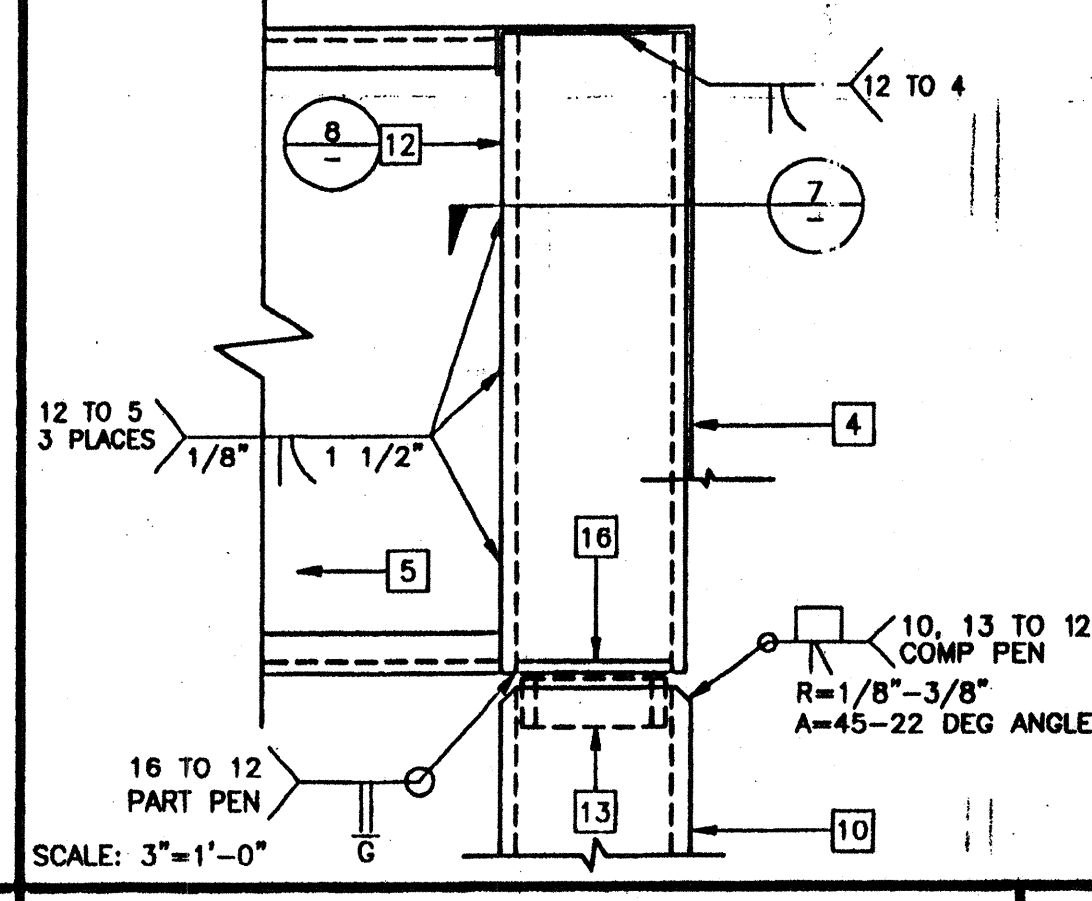
SCALE: 6"=1'-0"
STIFFENER ANGLE 9



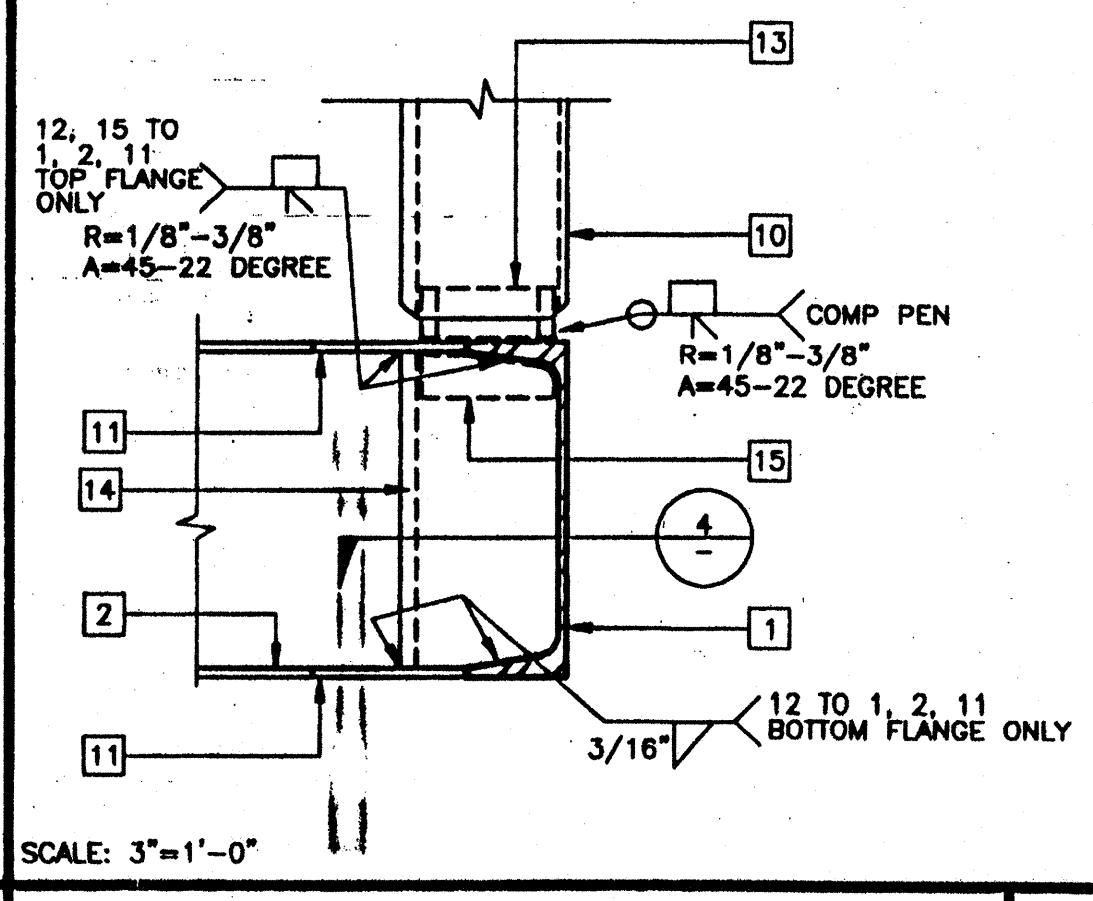
SCALE: NTS
OPTIONAL BEAM PENETRATION 10



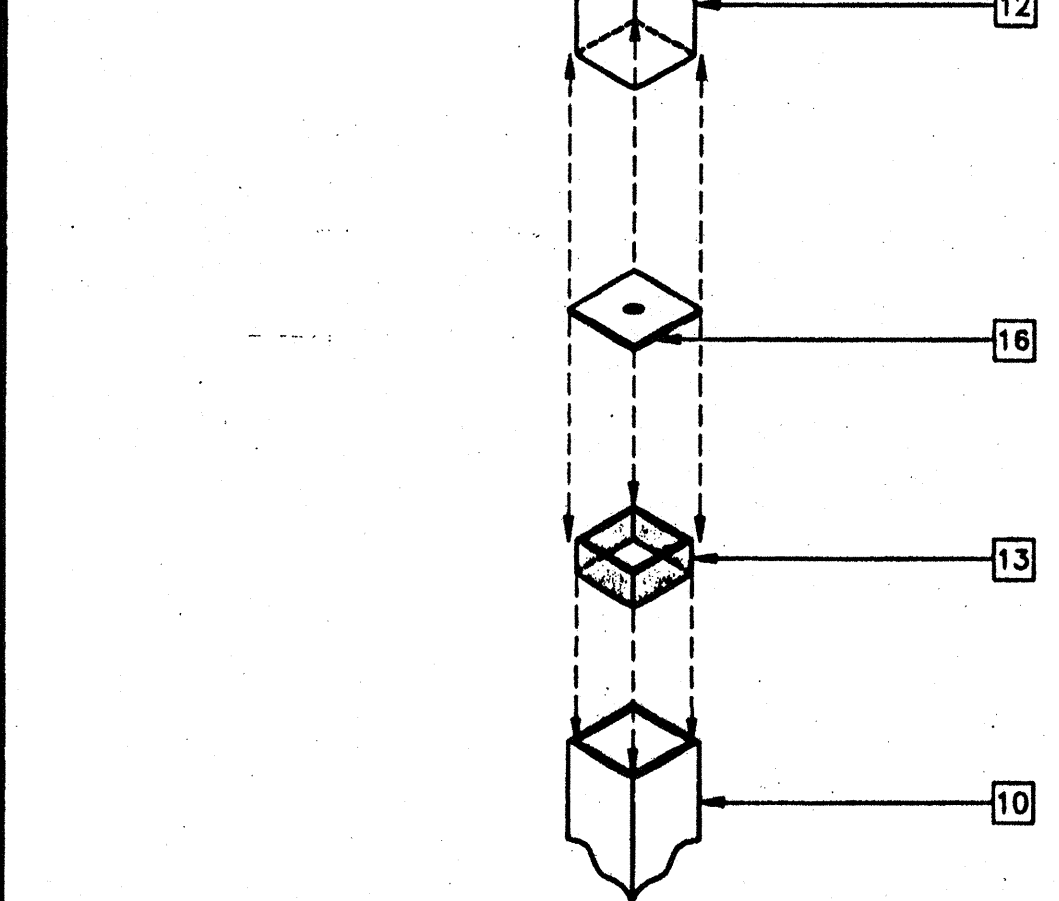
SCALE: 3"=1'-0"
COLUMN AT ROOF 6



SCALE: 3"=1'-0"
COLUMN AT FLOOR 3



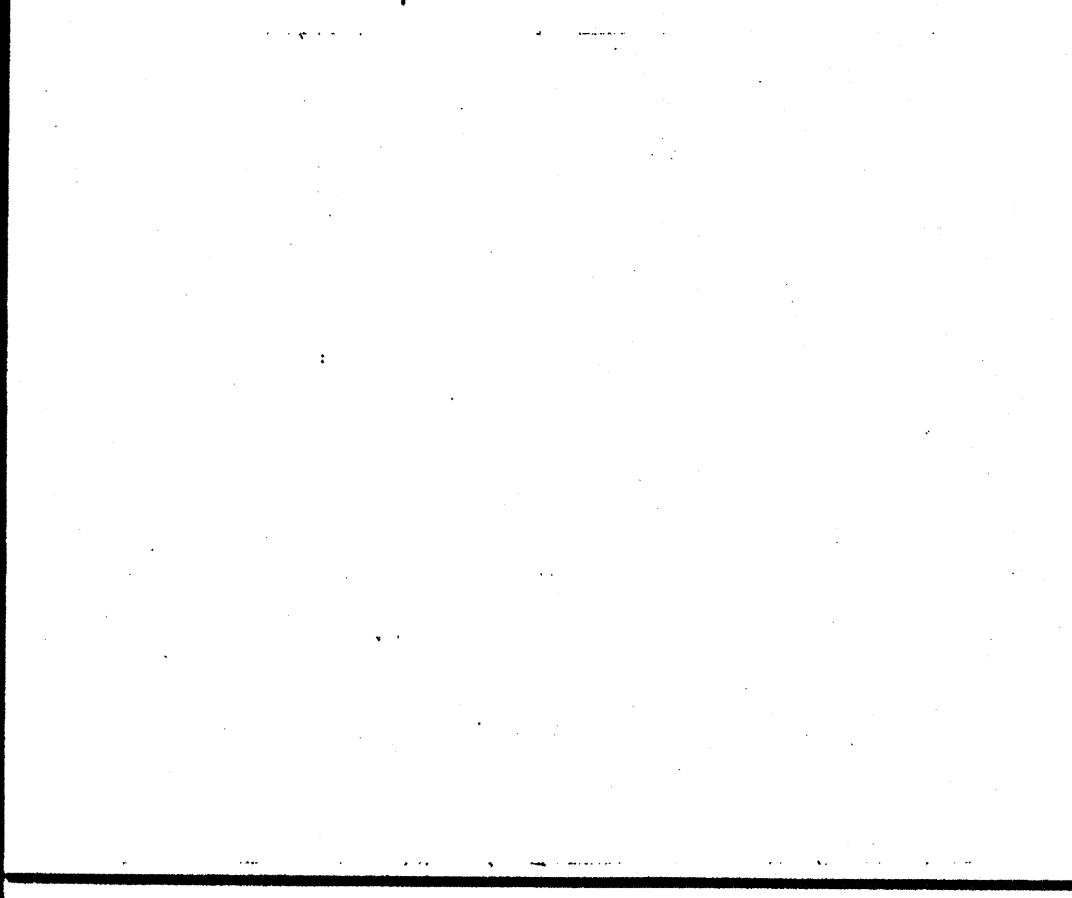
SCALE: NTS
STIFFENER AT FLOOR 7



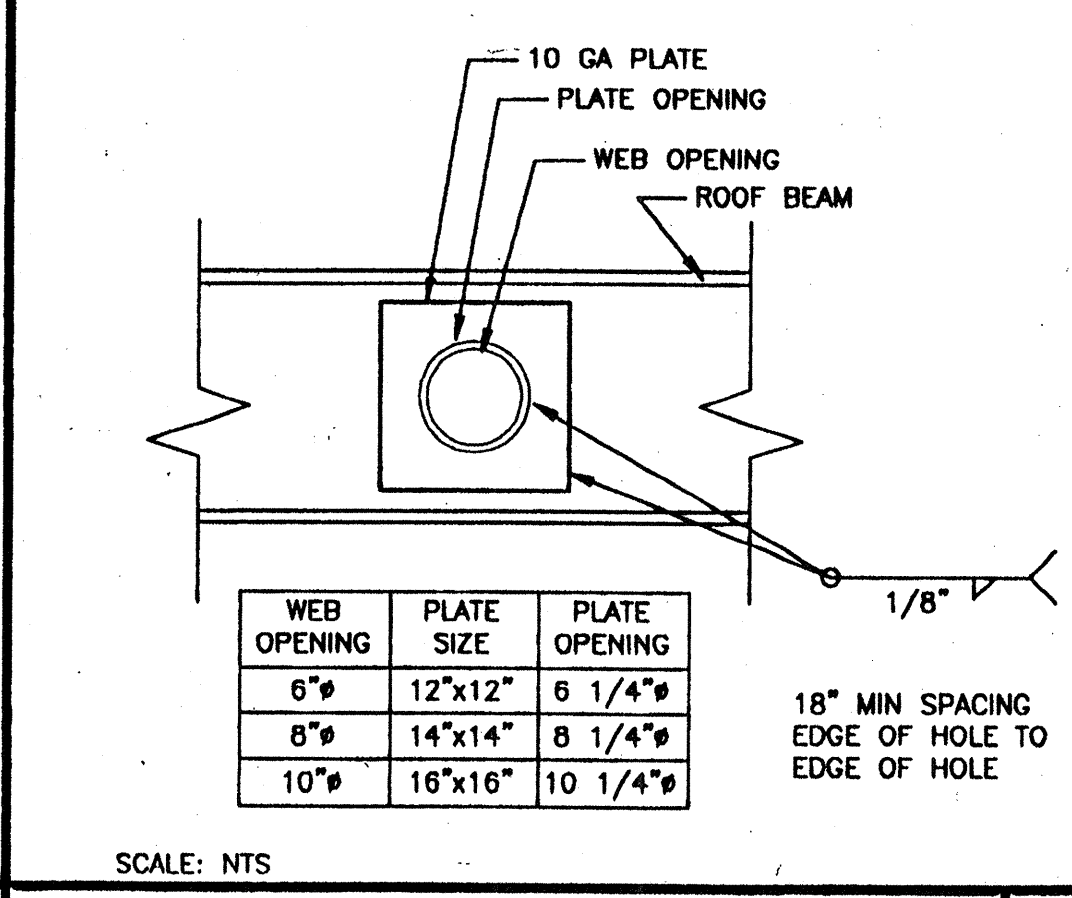
SCALE: NTS
COLUMN AT FLOOR AND ROOF 4

COLUMN SIZE TABLE

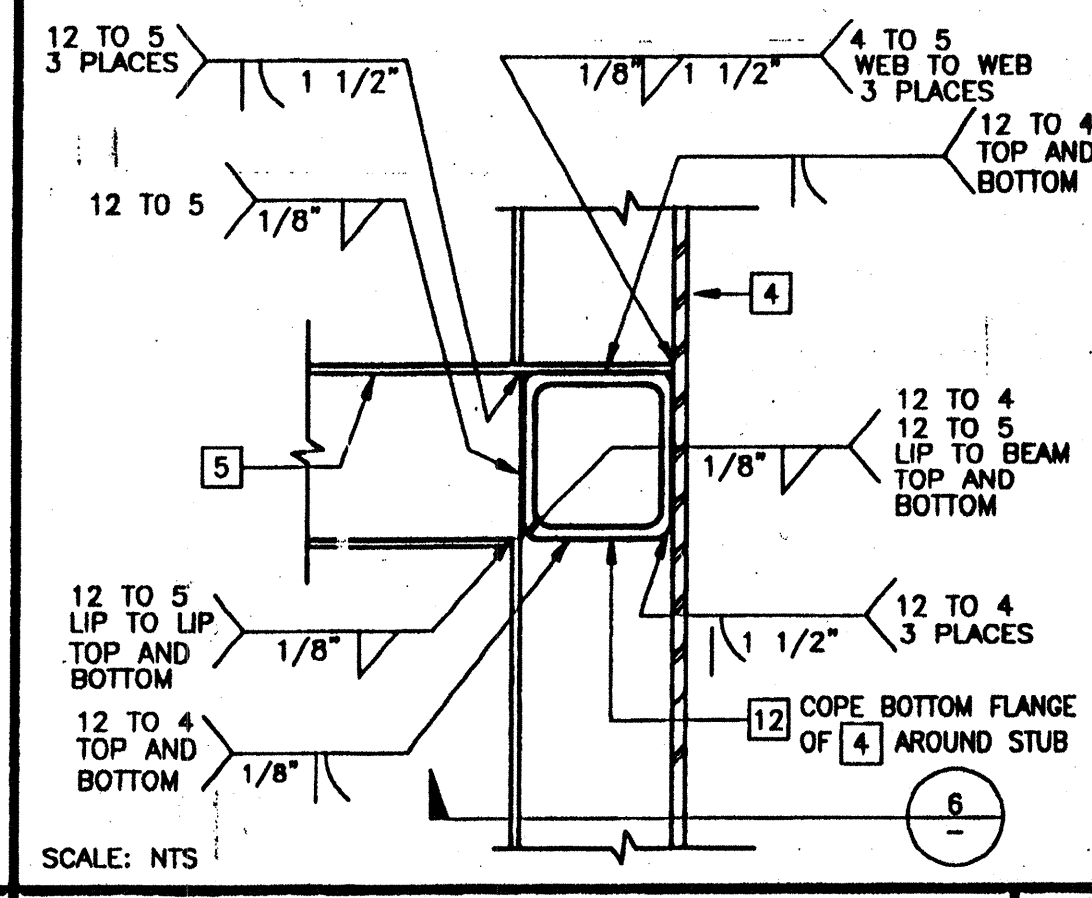
DESIGN WIND LOAD	COLUMN SIZE
70 MPH	3 1/2"x3 1/2"x1/4"
80 MPH	3 1/2"x3 1/2"x5/16"



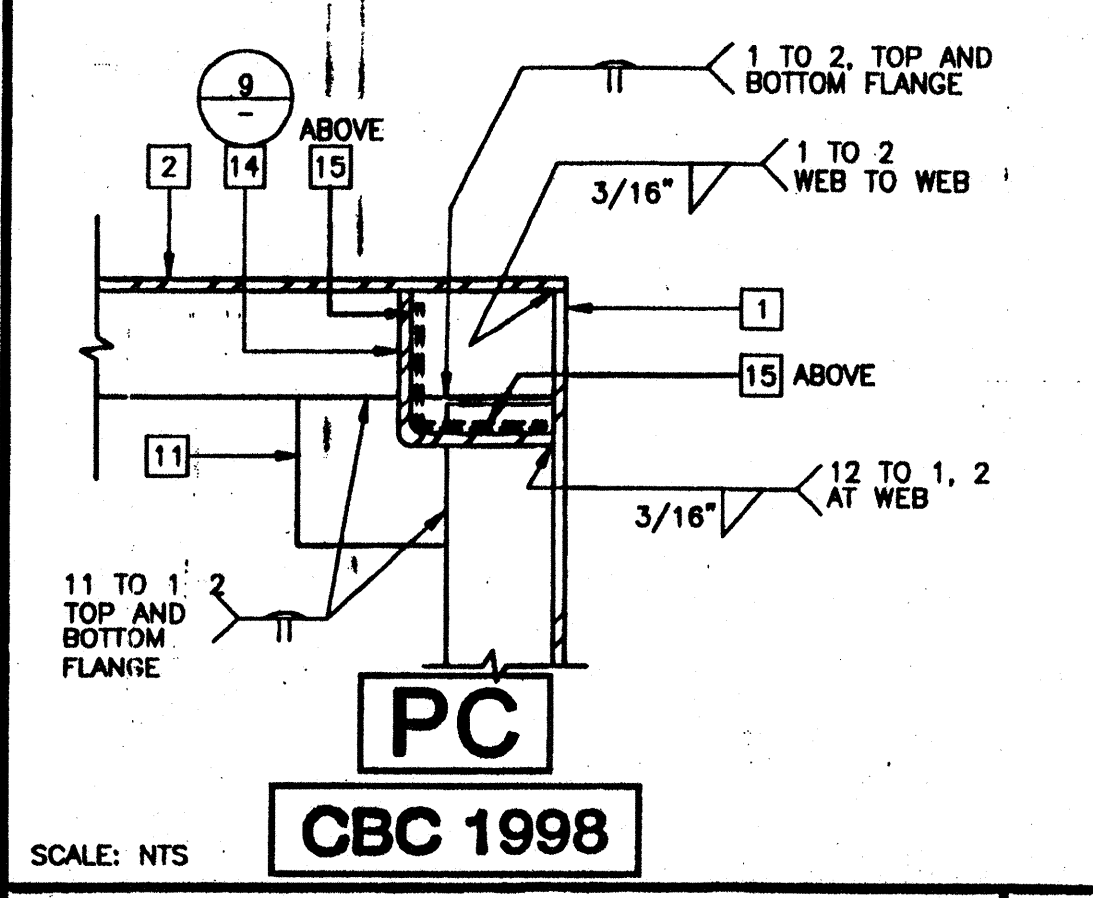
SCALE: NTS
OPTIONAL BEAM PENETRATION 11



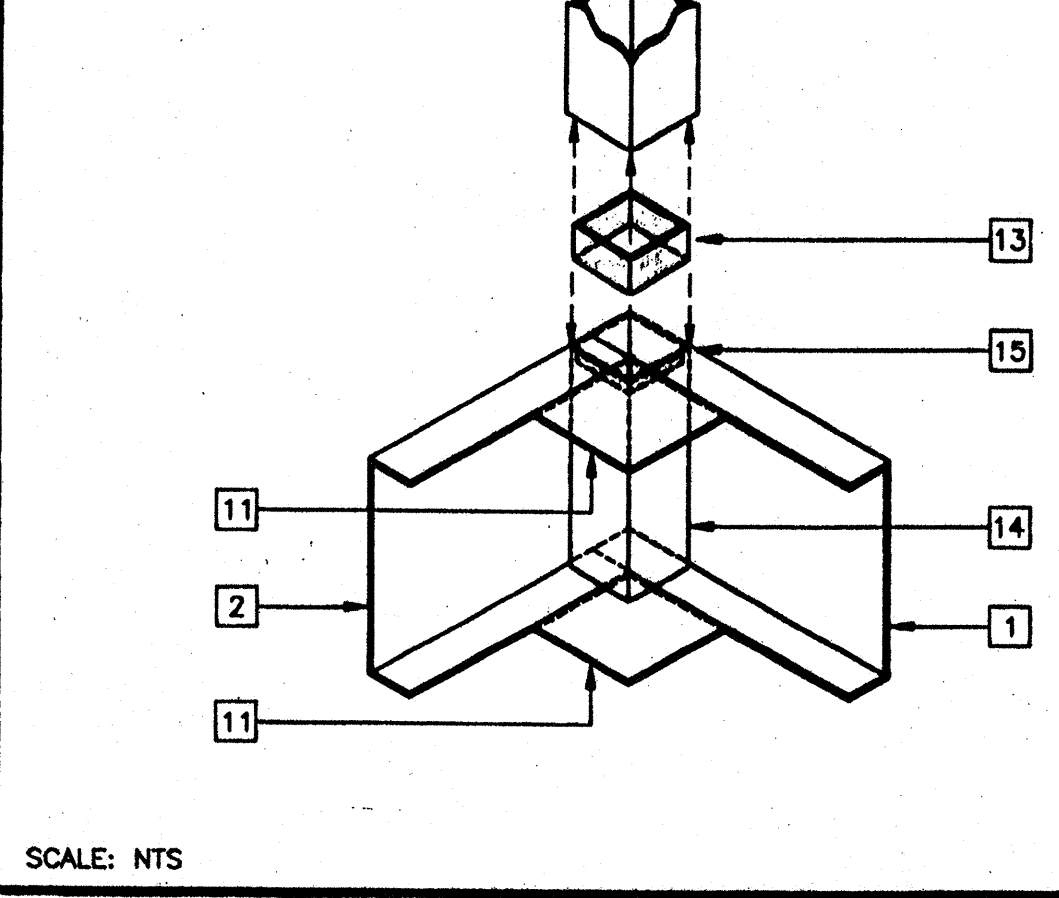
SCALE: 6"=1'-0"
STIFFENER ANGLE 9



SCALE: NTS
COLUMN AT ROOF 6



SCALE: NTS
COLUMN AT FLOOR 3



SCALE: NTS
COLUMN AT FLOOR AND ROOF 4

IDENTIFICATION STAMP
DIV. OF THE STATE ARCHITECT
OFFICE OF REGULATION SERVICES

APP03 115335
AC FLS ✓ SS 90
DATE JAN 0 8 2014

102366
AC FLS ✓ SS 90
DATE JAN 0 8 2014

REVISIONS

NO.	DESCRIPTION	DATE

Electrical Engineer's Seal
Mechanical Engineer's Seal
Structural Engineer's Seal
Architect's Seal

IDENTIFICATION STAMP
DIV. OF THE STATE ARCHITECT
OFFICE OF REGULATION SERVICES

PC-04
101263
AC FLS ✓ SS 90
DATE SEP 0 7 2014

MODTECH INC.
2830 BARRETT AVENUE
PERRIS, CALIF. 92572
PH (909) 943-4014
FAX (909) 940-0427

PROJECT NUMBER: _____
© MODTECH, INC. 1999
STOCKPILE #53
CLASS LEASING INC #3513
4012-107 80 MPH
100-24x40 CLASSROOMS

DRAWN BY: _____
DATE: _____
CHECKED BY: _____
DATE: 7/6/00
MODTECH Index No. _____

STRUCTURAL FRAMING 26 GA DUAL PITCH

S3.01

4032 4134
PROJECT NO. 101268