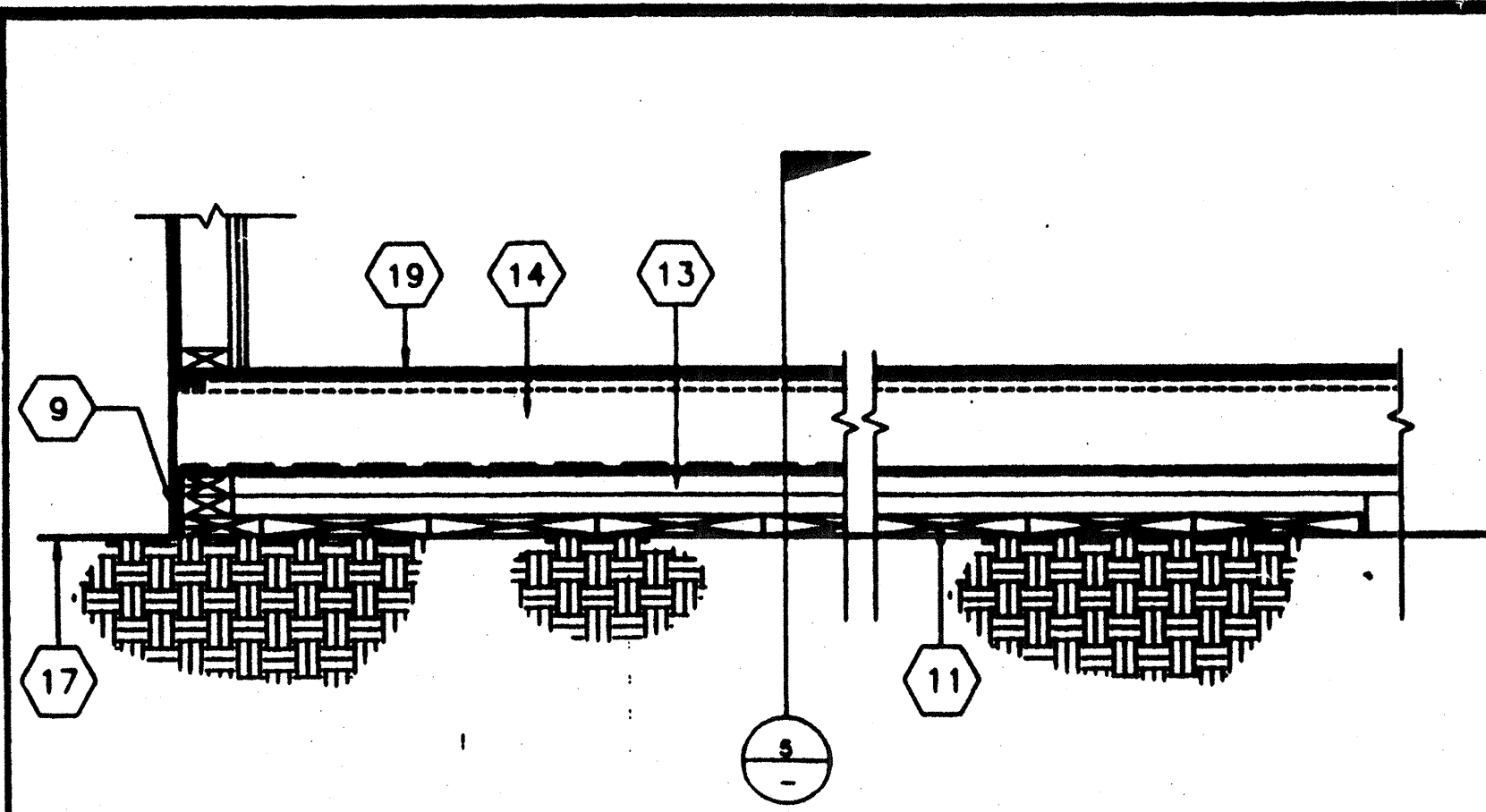
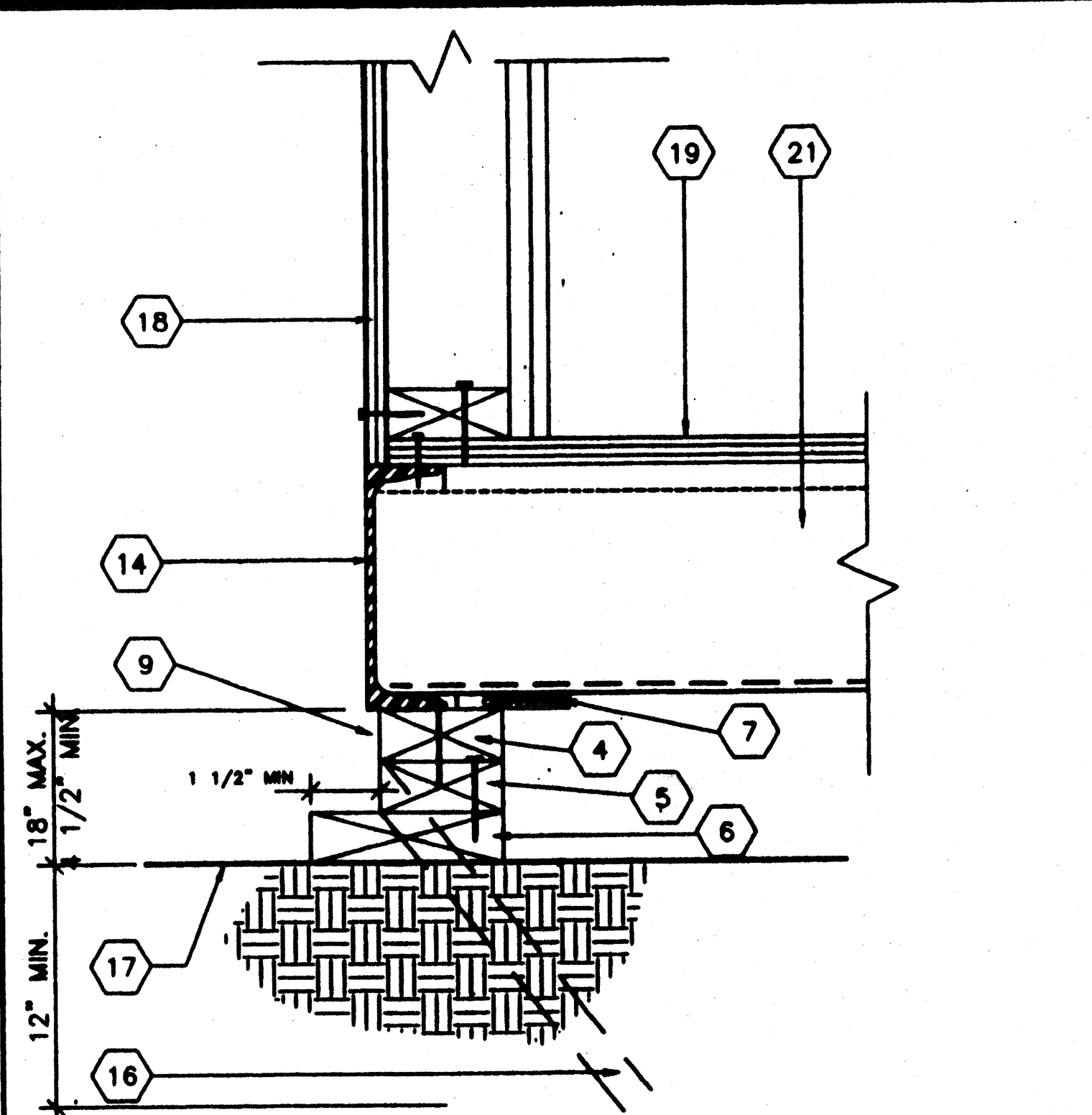


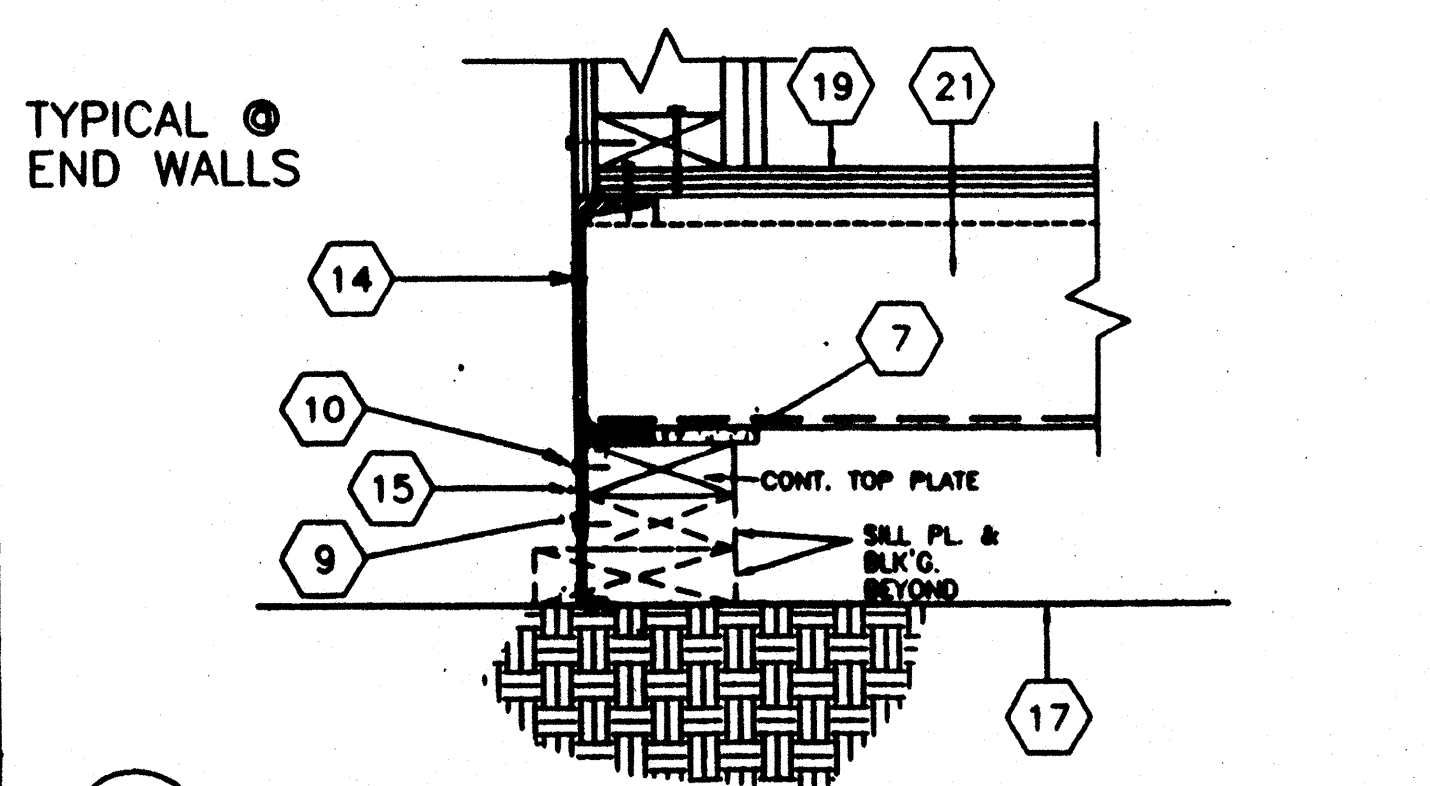
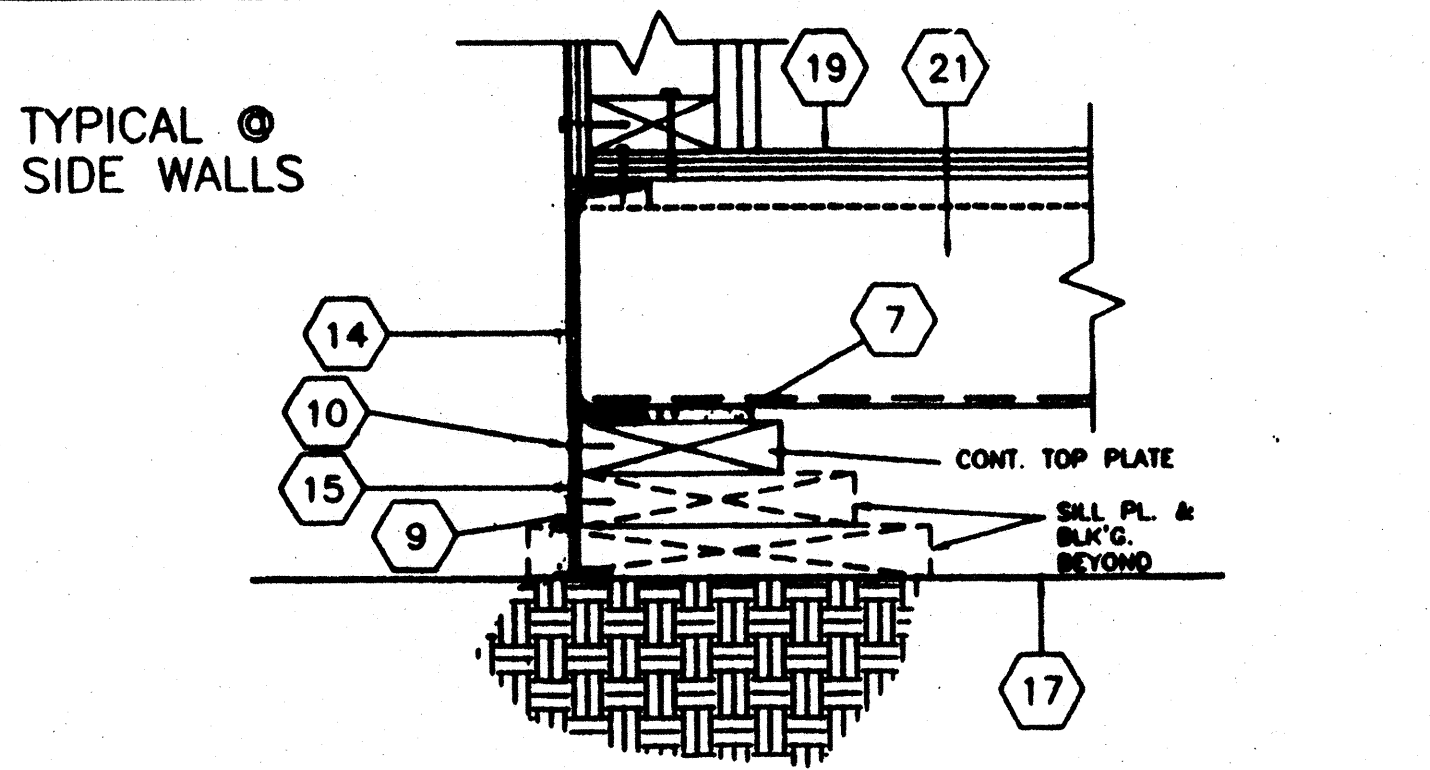
9 SCALE: 1 1/2"=1'-0"
ALTERNATE HOLD DOWN



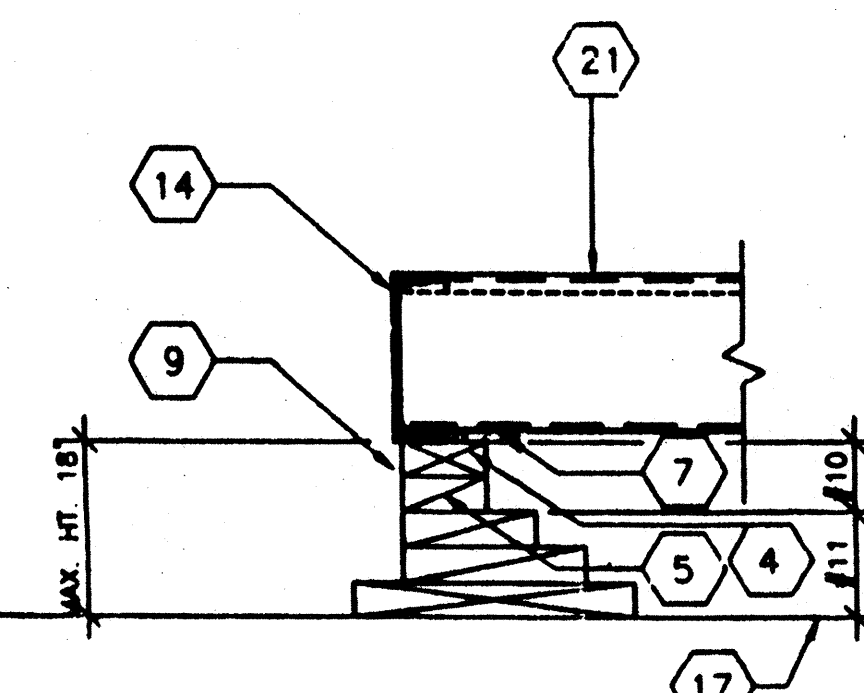
6 SCALE: 1 1/2"=1'-0"
MODLINE PAD @ END WALL



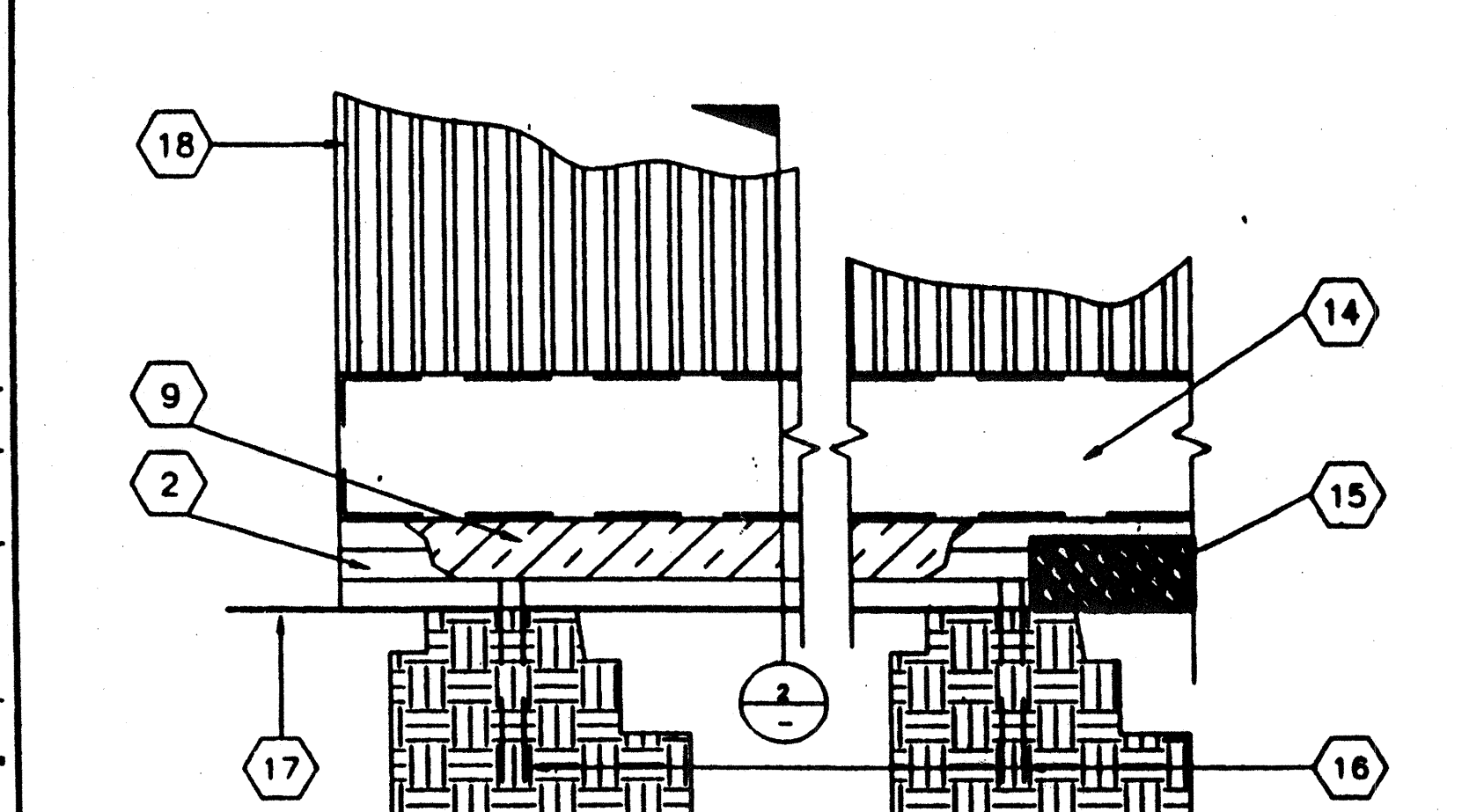
3 SCALE: 3"=1'-0"
FOUNDATION @ END WALL



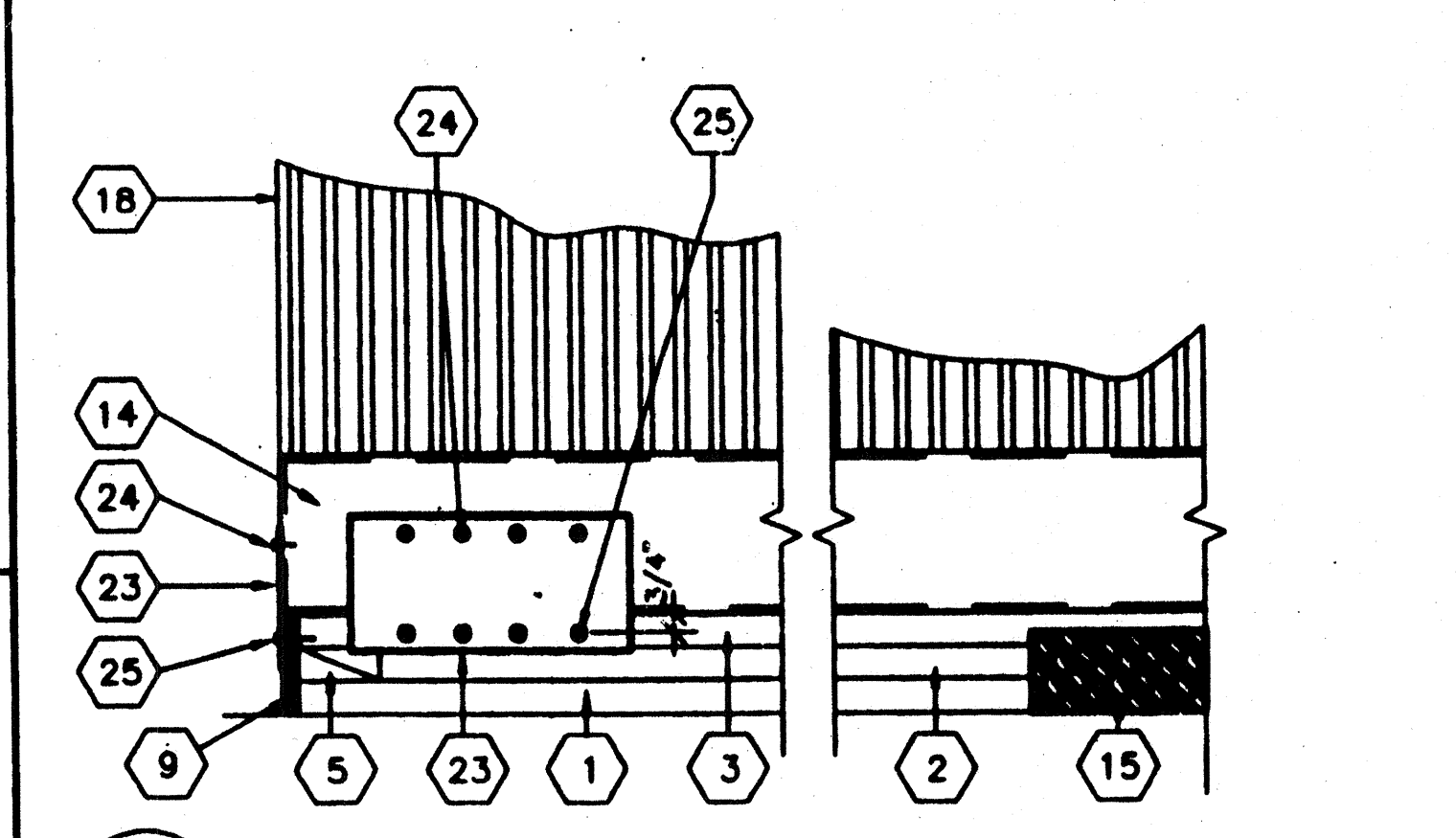
1 SCALE: NTS
FOUNDATION VENT



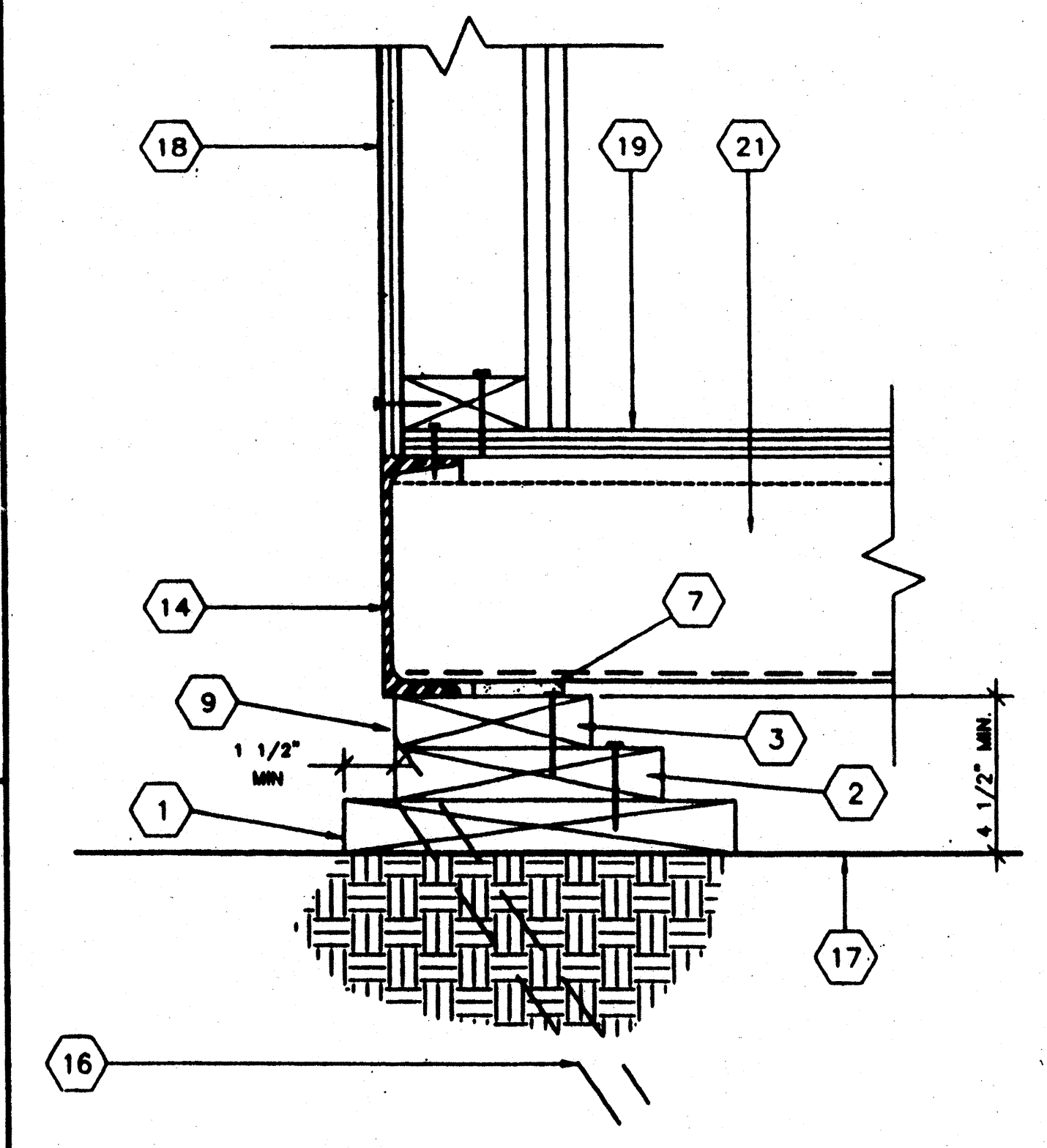
10 SCALE: 1 1/2"=1'-0"
ADD BLK'S/SHIMS TO LEVEL FOUND.



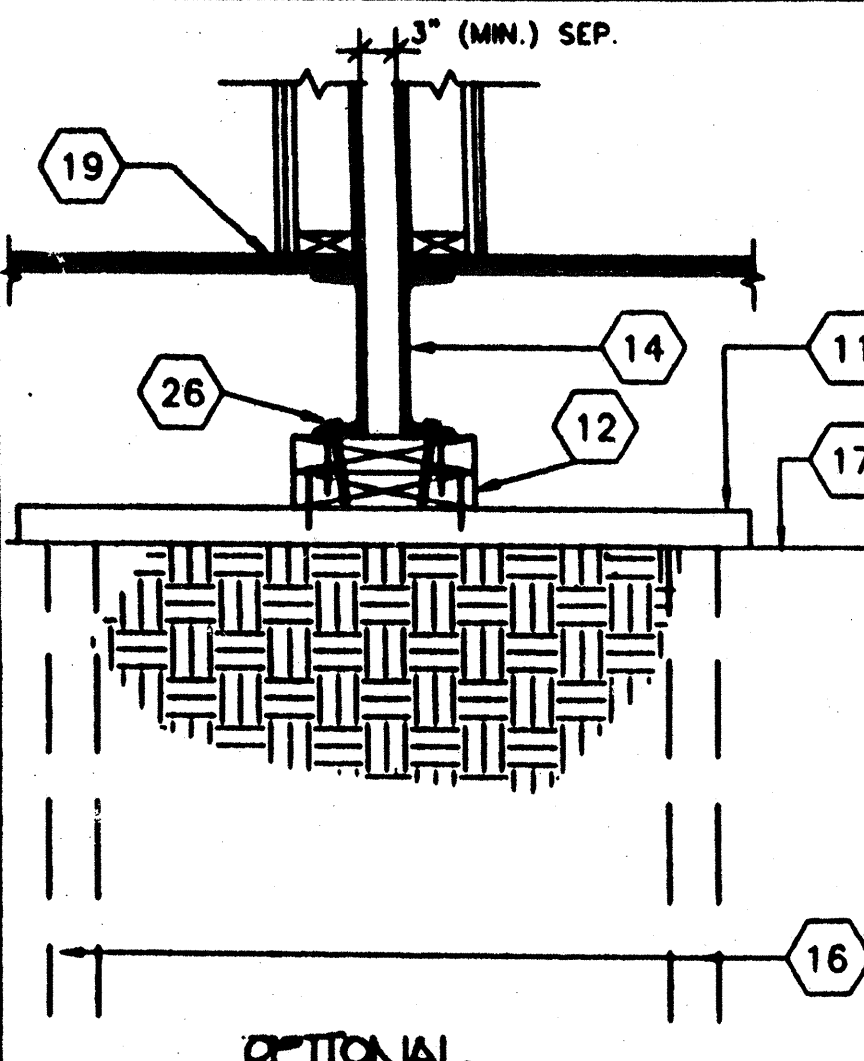
7 SCALE: 1 1/2"=1'-0"
FOUNDATION ELEVATION @ SIDE WALL



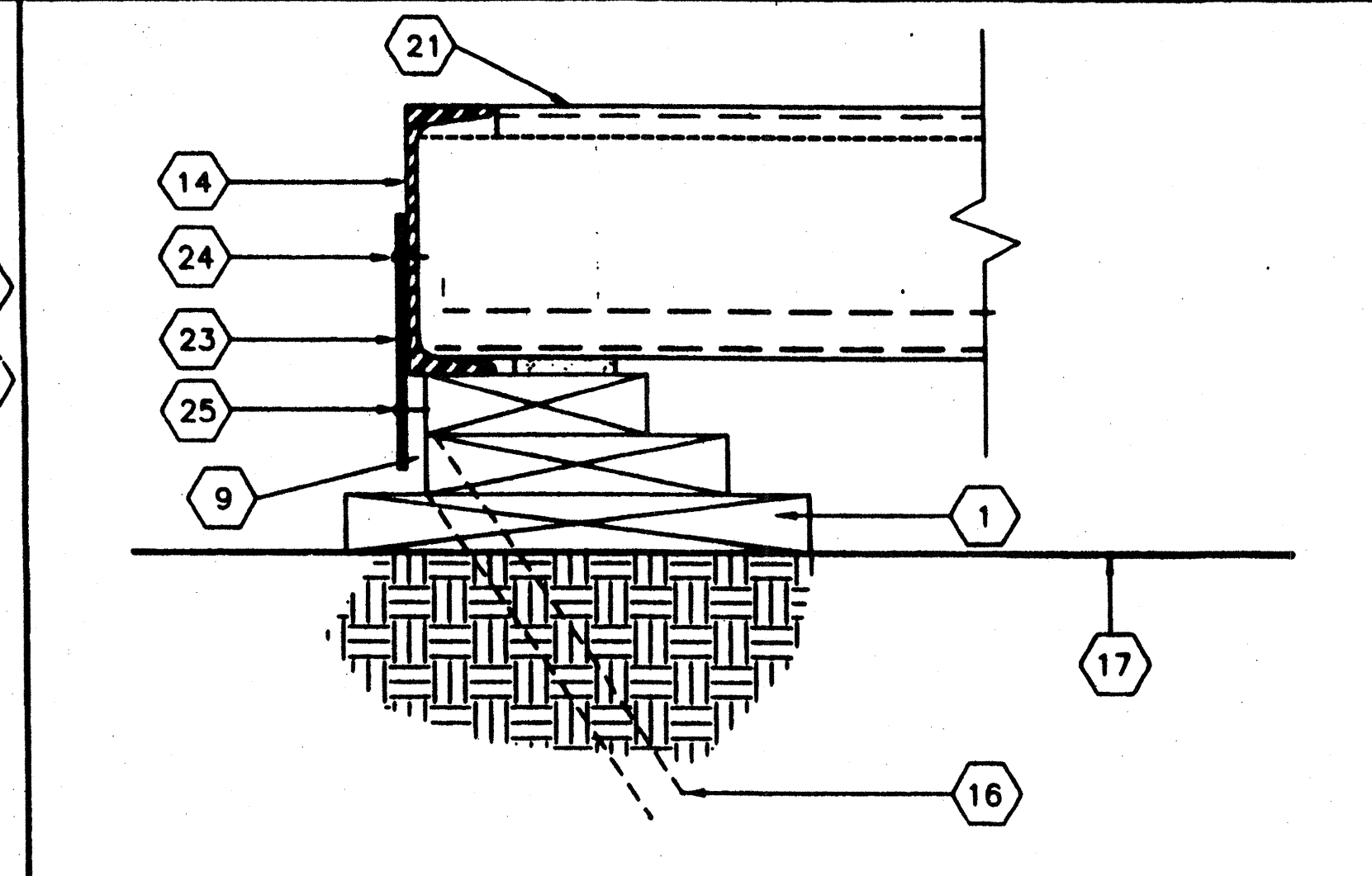
4 SCALE: 1 1/2"=1'-0"
DETAIL @ FOUNDATION CORNER



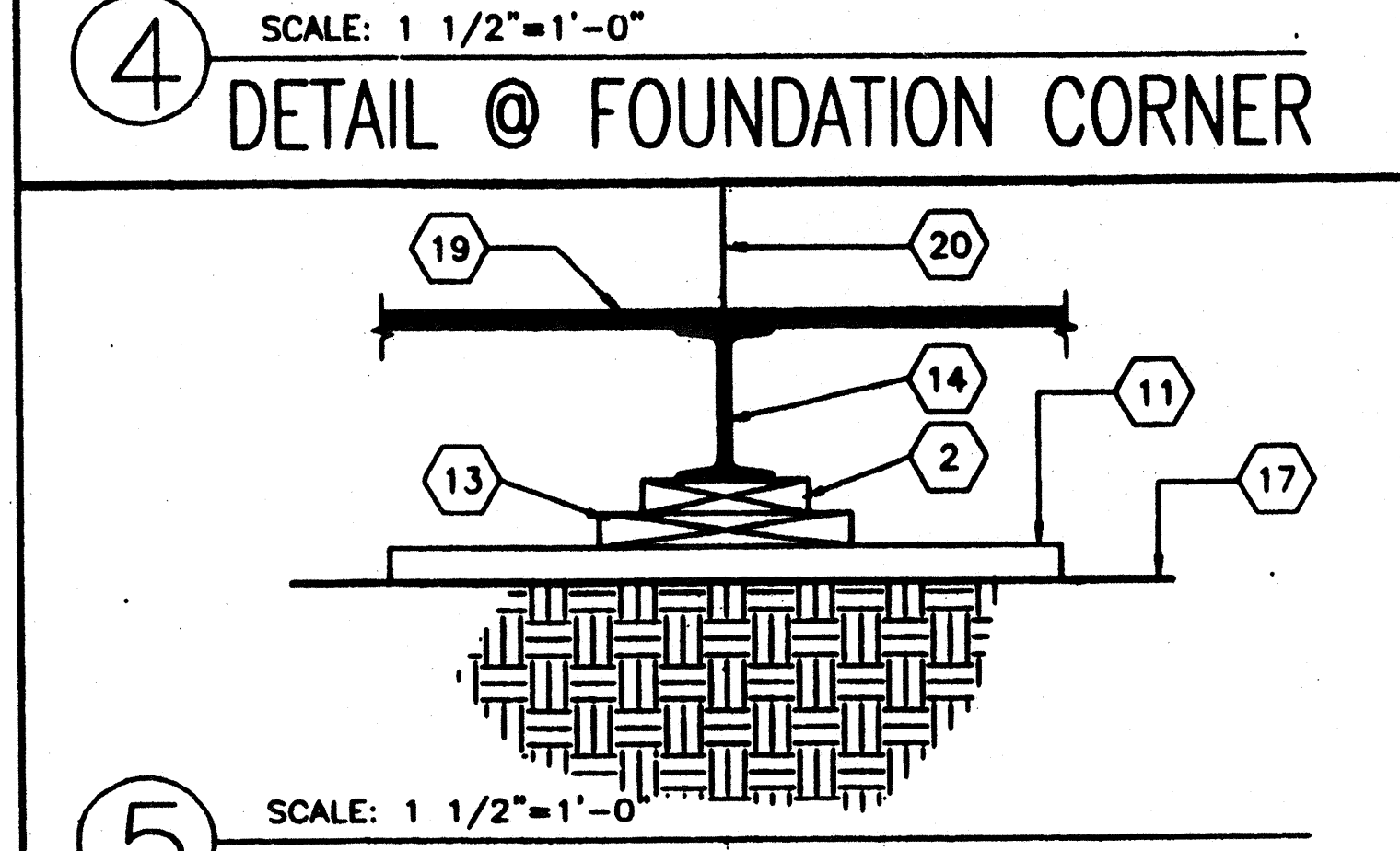
2 SCALE: 3"=1'-0"
FOUNDATION @ SIDE WALL



11 SCALE: 1 1/2"=1'-0"
FOUND. AT ADJ. BLDG.



8 SCALE: 3"=1'-0"
TYPICAL TIE PLATE



5 SCALE: 1 1/2"=1'-0"
FOUNDATION PAD @ MODLINE

- KEY NOTES**
- 1 2X12 SILL PLATE SEE FOUND. PLAN FOR LENGTH
 - 2 2X8 BLOCKING W/16d @ MAX 5" O.C. TO SILL PLATE
 - 3 2X6 TOP PLATE W/16d @ MAX 5" O.C. TO BLOCKING
 - 4 2X4 TOP PLATE W/16d @ MAX 5" O.C. TO BLOCKING
 - 5 2X4 BLOCKING W/16d MAX. 5" O.C. TO SILL PLATE
 - 6 2X6 SILL PLATE SEE FOUND. PLAN FOR LENGTH
 - 7 5/8"X2 1/2" SHIM (WHEN REQ.)
 - 8 INSERT REQ'D 2X4 BLK'NG OR PLYWD. SHIM W/16d @ 12" O.C. FACE NAIL
 - 9 OPTIONAL - MIN. 3/8" PLYWOOD SHIRTING W/ 10d @ MIN. 4" O.C. @ ENDWALLS & 6" O.C. @ SIDEWALLS E.N. & TYP. 12" O.C. FN. PLATE TO PLATE NAILING FOR THE FOUNDATION MEMBERS CAN BE DECREASED TO 12" O.C. AND FOUNDATION BLOCKING SHALL BE RECESSED SUCH THAT THE SHIRTING SHALL BE INSTALLED FLUSH WITH THE PERIMETER FLOOR CHANNEL.
 - 10 10d GALV. NAIL @ MAX. 4" O.C.
 - 11 2X12X2'-6" SILL PLATE SEE FOUND. PLAN FOR QUANTITY REQ'D
 - 12 2 X 10 PLATES W/ 2-16D BOX @ 6" O.C.
 - 13 2X10 BLK'NG FACE OR TOE NAIL 16d @ MAX 12" O.C. ADD BLKS. OR SHIMS AS REQ'D
 - 14 FLOOR FRAME BEAM SEE STRUCTURAL C7x9
 - 15 TYPICAL FOUNDATION VENT (SEE FOUNDATION PLAN FOR SIZES AND LOCATIONS)
 - 16 SILL RESTRAINT 1" PIPE SEE FOUND. FOR LOCATION
 - 17 FINISH GRADE
 - 18 EXTERIOR FINISH
 - 19 PLYWOOD SUBFLOOR
 - 20 MOD-LINE
 - 21 FLOOR-JOIST
 - 22 4"X12"X10 GA. PLATE
 - 23 6"X12"X10 GA. PLATE
 - 24 1/4" @ S.T.S. TYP. 4-PLACES
 - 25 1/4" @ X3" LG. LAG SCREW TYP. 4-PLACES
 - 26 5/8" @ X4" LAGS (FOR LOCATION SEE PLAN)

FOUNDATION LUMBER TO BE PRE-CUT AT FACTORY. LUMBER GRADES & PRESSURE TREATING TO BE VERIFIED BY IN-PLANT INSPECTOR.

IDENTIFICATION STAMP
DIV. OF THE STATE ARCHITECT
OFFICE OF REGULATION SERVICES
APR 11 1996
AC FLS SS
JAN 0 8 2014

IDENTIFICATION STAMP
DIV. OF THE STATE ARCHITECT
OFFICE OF REGULATION SERVICES
04 100596
AC FLS SS
DATE AUG 10 1996

REVISIONS	ELECTRICAL	MECHANICAL	STRUCTURAL	ARCHITECT	DIVISION OF THE STATE ARCHITECT
▲					
▲					
▲					
▲					
▲					

REVISIONS

ELECTRICAL

MECHANICAL

STRUCTURAL

ARCHITECT

DIVISION OF THE STATE ARCHITECT

REVISED AUG 27 1996

PC 266

AC FLS SS

DATE 8-2-96

MODTECH INC.
2930 BARRETT AVE.
PERRIS, CA. 92572
PH. (909) 943-4014
FX. (909) 440-0427

CONFIDENTIAL - THIS DOCUMENT AND THE INFORMATION CONTAINED HEREIN ARE THE PROPERTY OF MODTECH INC. UNAUTHORIZED COPYING, DISCLOSURE, OR OTHER UNAUTHORIZED USES ARE PROHIBITED.

JOB NO. 4012-083
2900

2765
2852
2854
2900
2918

DRAWN BY R14
DATE 8/96
CHECKED BY FH
DATE 8/96

STKP-37

F3.0

FOUNDATION DETAILS