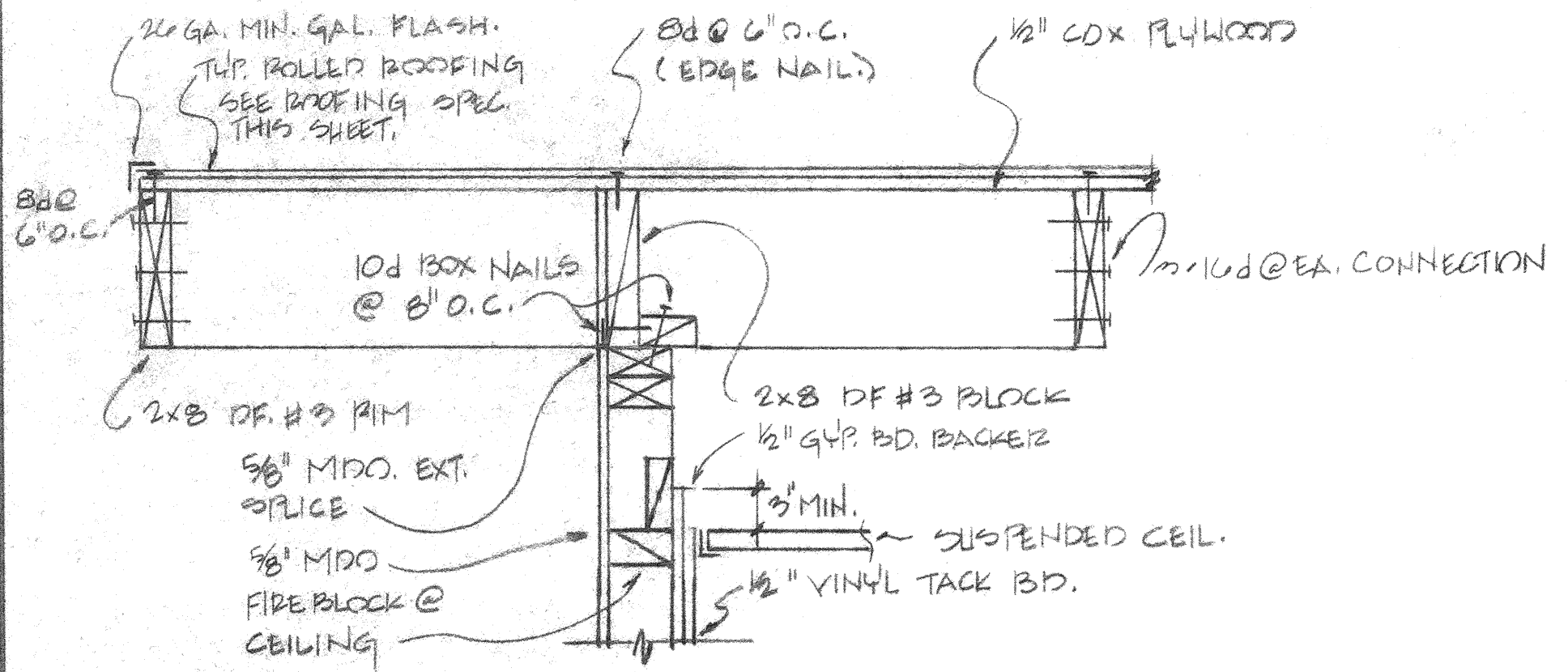


BILL OF MATERIALS				
MARK	QTY	SIZE OR MODEL NO.	DESCRIPTION	REMARKS

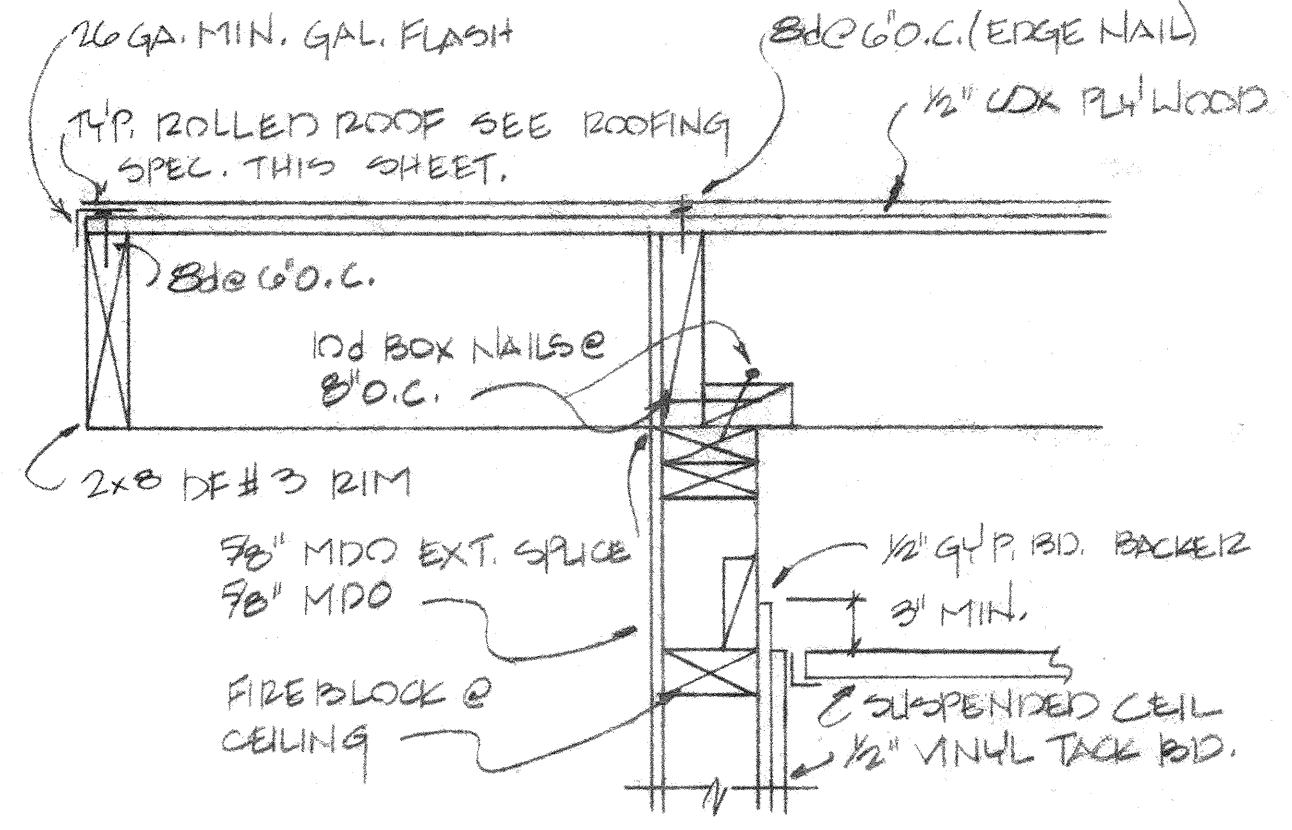
ROOFING SPEC.: USE CONGLAS NO. 20. CAP. 20 YEAR, U.L. CLASS A, SLOPE RANGE: 0" TO 1/2" MATERIALS REQUIRED PER 100 SQ. FT. OF ROOF AREA SHALL NOT BE LESS THAN THE FOLLOWING:

MATERIAL	QTY PER 100 SQ. FT.
MECHANICAL FASTENERS AS REQ'D.	
CON ROASE TYPE W-1 - 1 PLY	25 lbs.
CON PLY TYPE A - 2 PLYS	22 lbs.
ASPHALT PLYS	60 lbs.
ASPHALT SURFACE	25 lbs.
CONCAP	75 lbs.
ACCESSORIES & FLASHING MATERIALS AS REQUIRED	

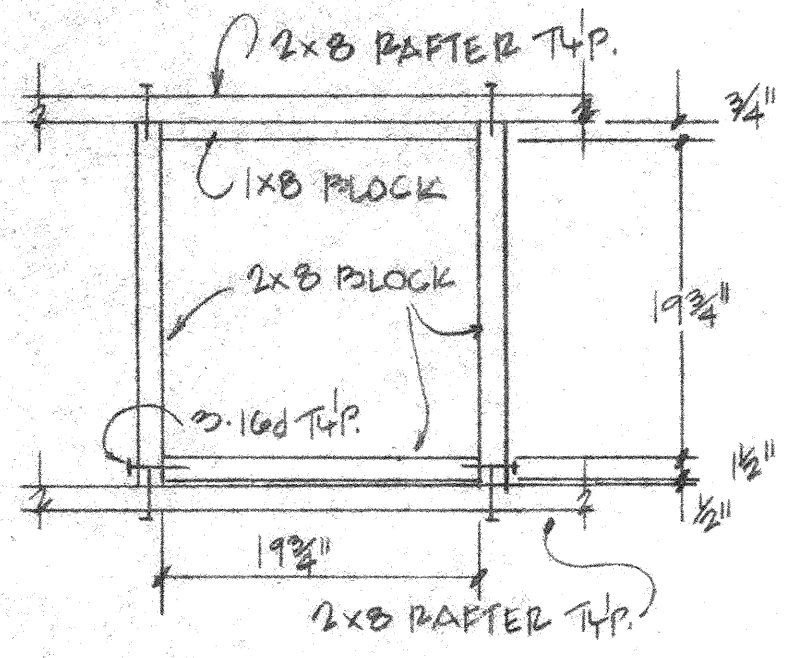
APPLICATION: Conbase Type W-1 shall be applied at right angles to continuous joints of surface to be roofed and lapped so water flow is over or parallel to but never against the laps. It shall be lapped 12" on sides and 6" on ends and nailed on 9" centers through the laps and on 18" centers along lines 12" distant from each edge. It shall be turned up 2" above the cant on all walls and vertical surfaces. Conply Type A shall be applied parallel to the base sheet and lapped so the flow of water is over or parallel to, but never against the laps. All end laps shall be at least 4" and adjacent end laps shall be at least 12" apart. Embed two plies of Conply Type A in shingle fashion lapping 19" into uniform solid mopping of hot asphalt. Embed the full width of each ply sheet in hot asphalt, at a nominal rate of 30 lbs per 100 sq. ft. Each ply shall be lightly broomed using a moderately soft commercial pushbroom as it is applied. All plies shall be turned up 2" above the top of the cant and shall be solid mopped to cant and vertical wall. Embed 12" or 18" lengths of Concap into a uniform solid mopping of hot steep asphalt, using not less than 25 lbs. per 100 sq. ft. Concap side laps shall be at least 12" from bottom sheet side laps. Concap shall be set neatly in place with a 2" side lap and a 4" end lap. Adjacent end laps shall be at least 3" apart. There must be complete contact between Concap and the mopping asphalt.



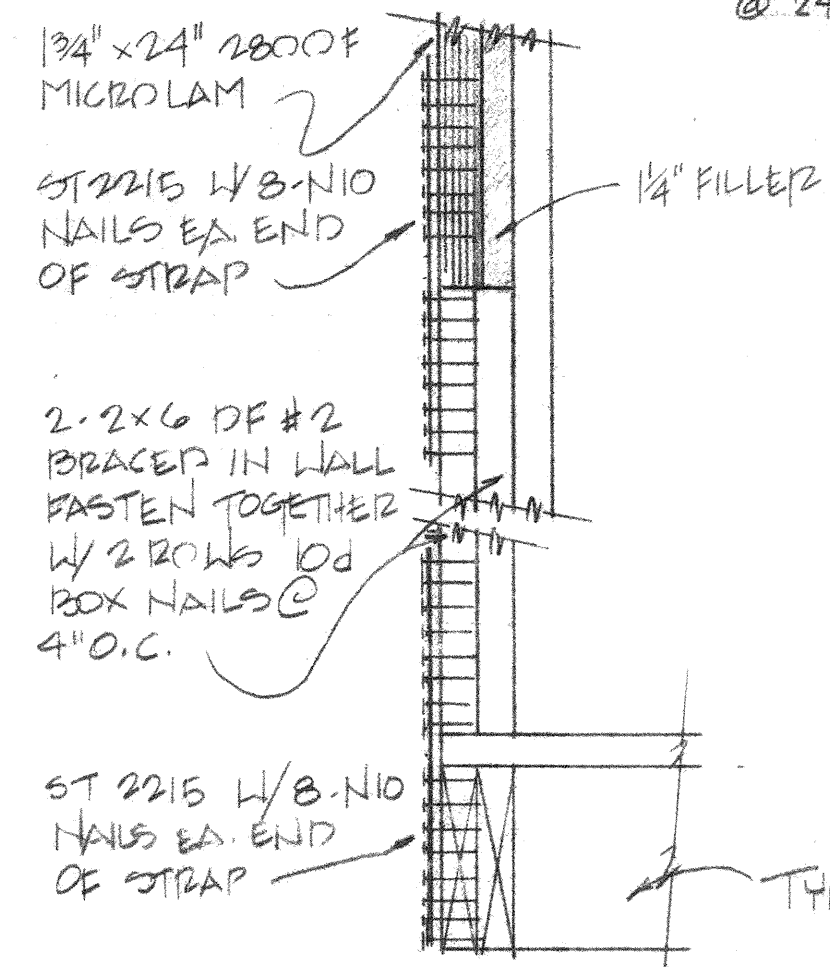
ROOF SECTION @ END WALL EAVE (1)
SCALE: 1/2" = 1'-0"



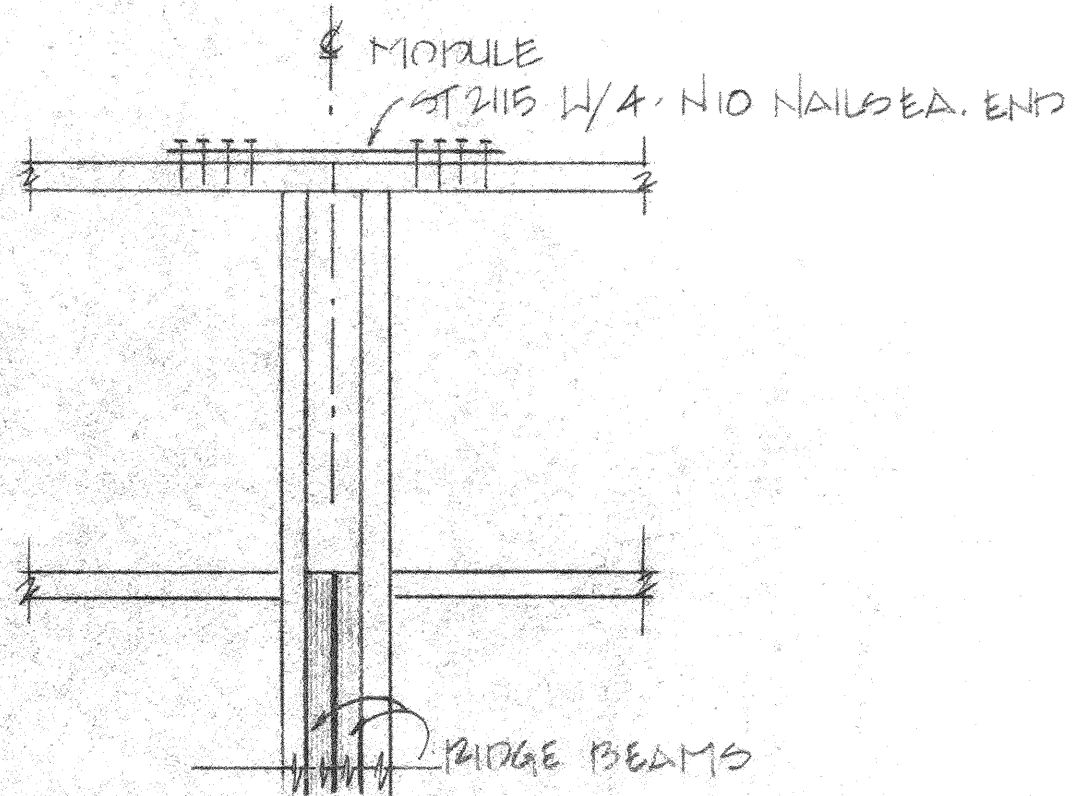
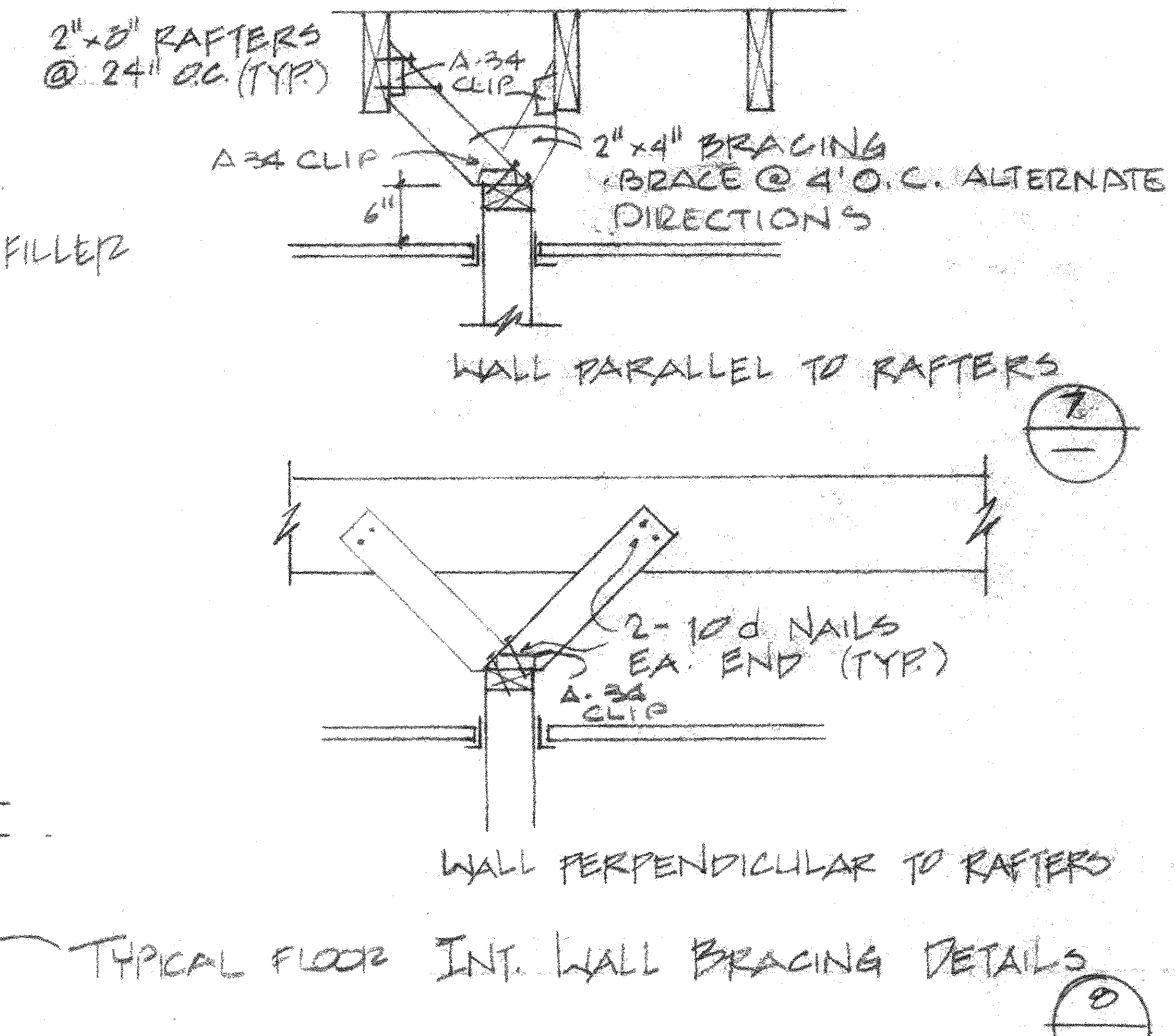
ROOF SECTION @ SIDEWALL EAVE (4)
SCALE: 1/2" = 1'-0"



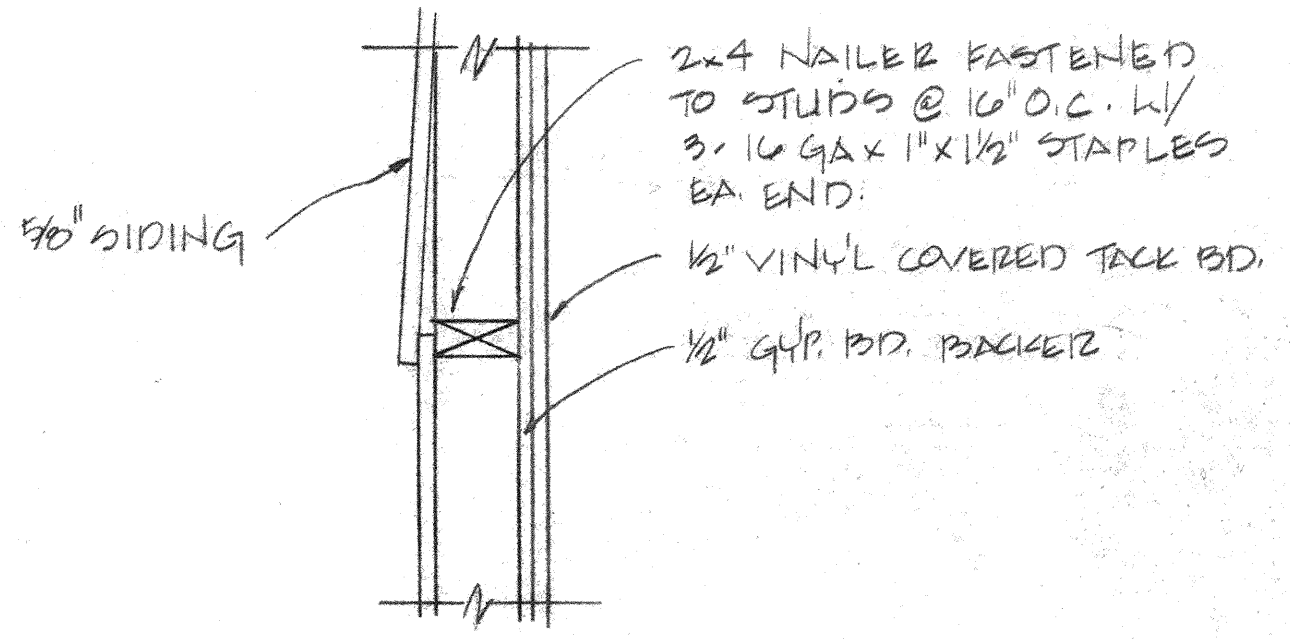
WATERCOOLER OPENING FRAMING (2)
SCALE: 1/2" = 1'-0"



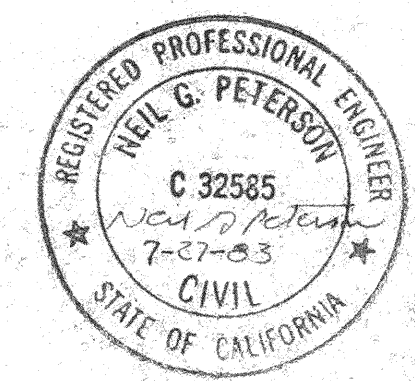
COLUMN FOR MICROLAM RIDGE BEAM (5)
SCALE: 1/2" = 1'-0"



ROOF CORD SPLICE @ MODULE JOINT (3)
SCALE: 1/2" = 1'-0"



EXTERIOR SIDING DETAIL (6)
SCALE: 1/2" = 1'-0"



OFFICE OF THE STATE ARCHITECT
STRUCTURAL SAFETY SECTION

A45202

DATE: 8-0-1983

APPLICATION NO. 7830CAL CREDIT/REGUL/ENGINEER

Leonard J. Schroeder A.I.A. C-3680

Date	By	No.	Date	By	No.
REVISIONS					
Project: BAKERSFIELD CITY SCHOOL DISTRICT					
Title: DETAILS (KINDERGARTEN)					
Dwg. no. 5.5					
Series					
Job no.					
TELLUS CORPORATION 7340 FRENCH ROAD SACRAMENTO CA. PLANT COLTON, CA. SACRAMENTO, CA. SALEM, ORG. BOISE, IDA.					