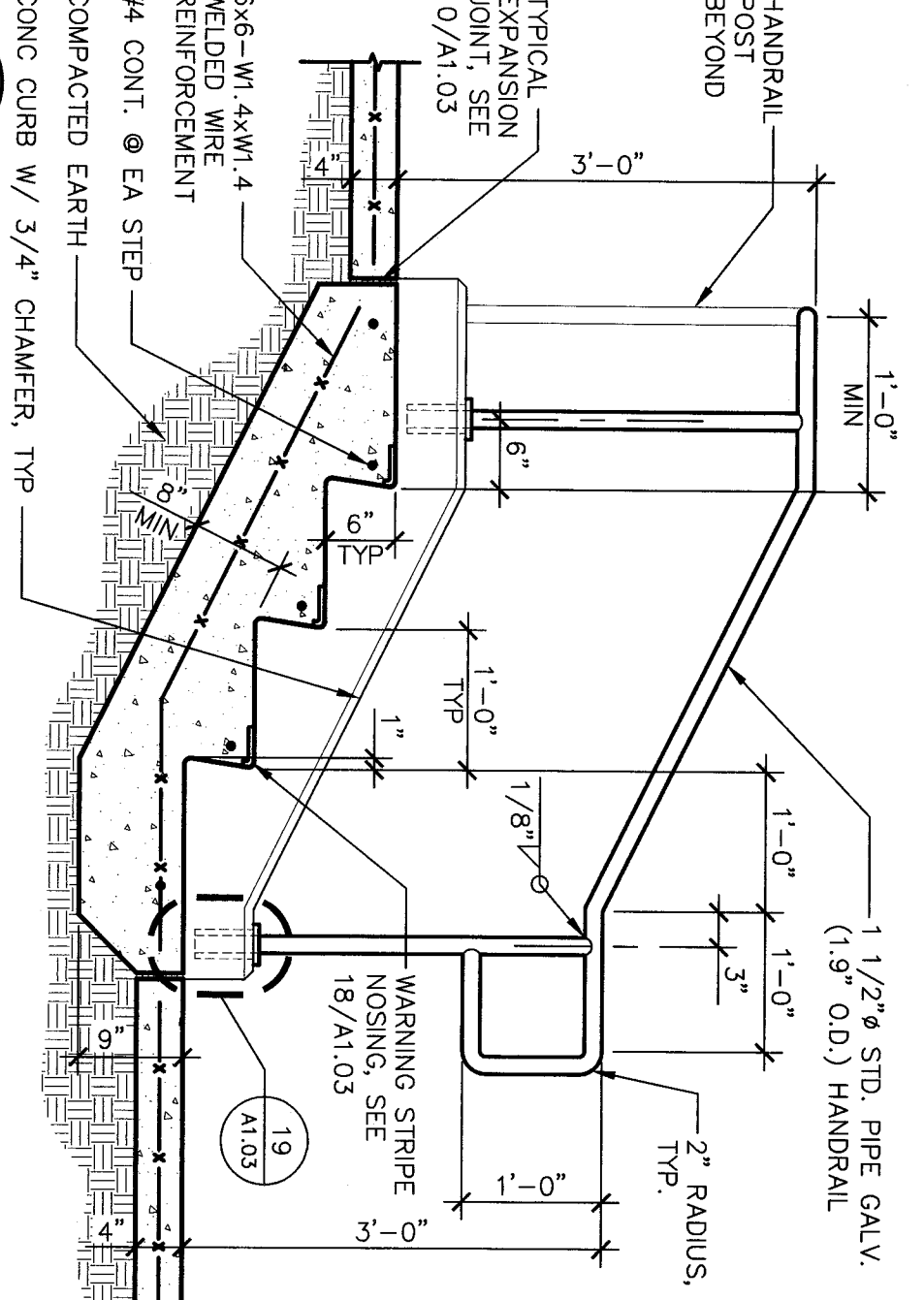
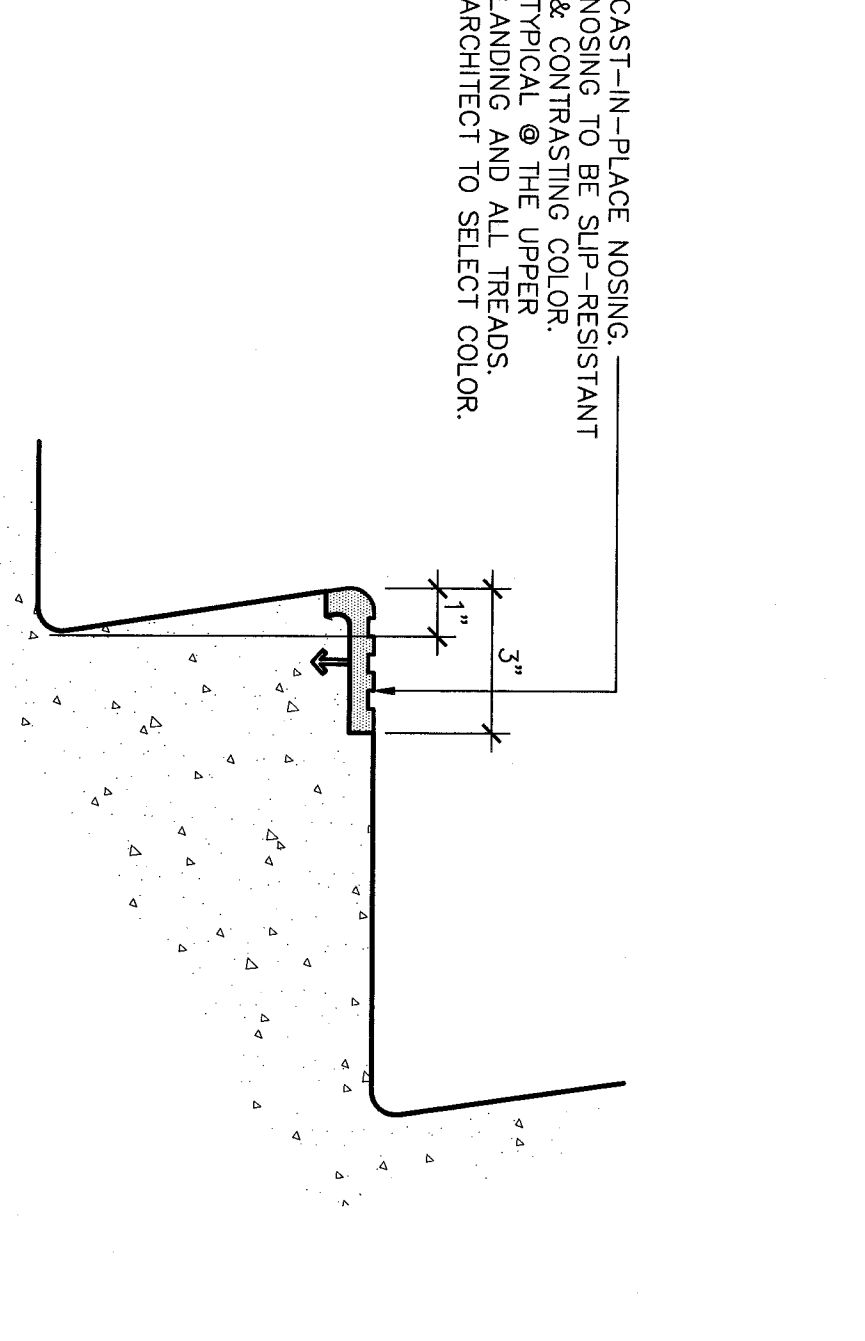


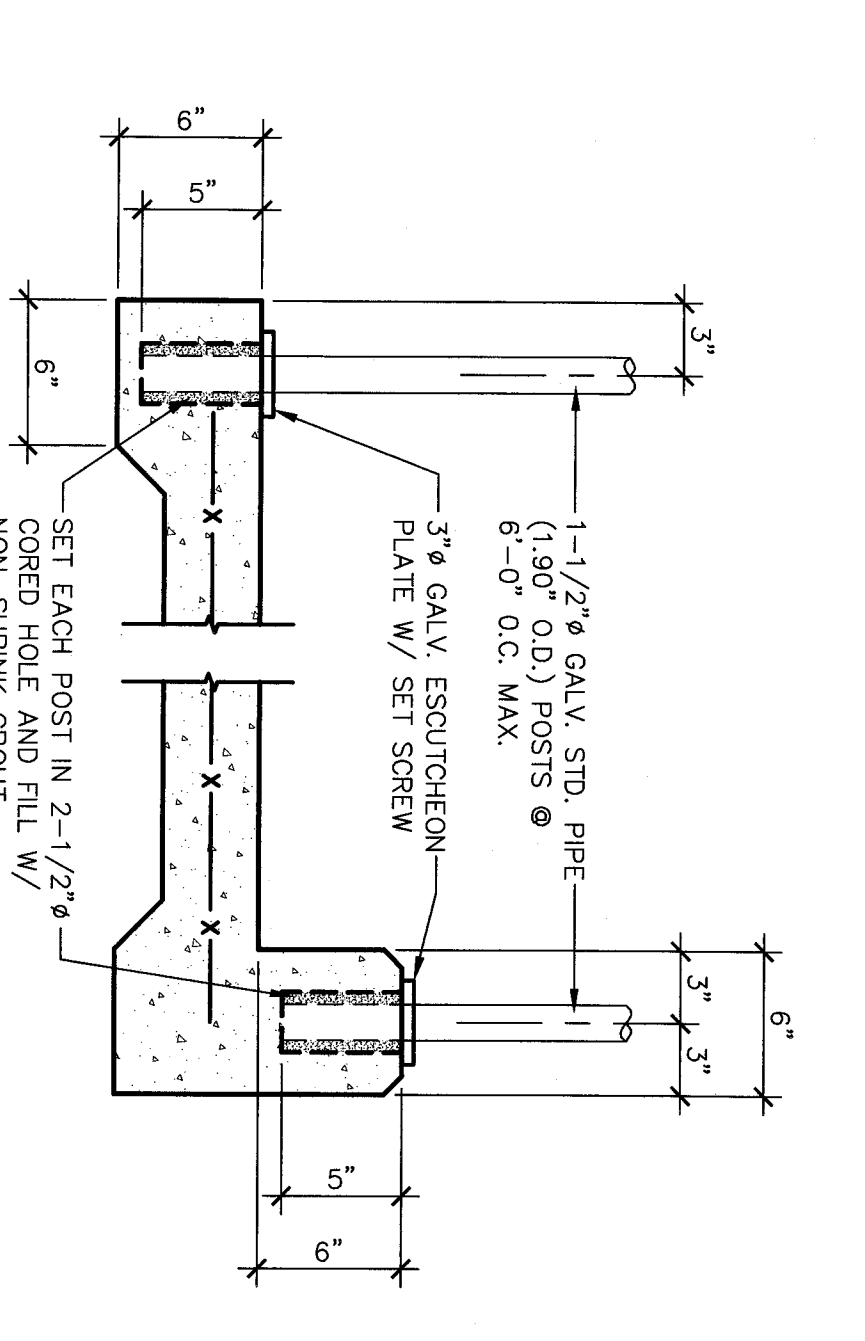
16 HANDRAIL @ (E) PLANTER WALL
 A103 ADE100-10 SCALE: 3/4" = 1'-0"



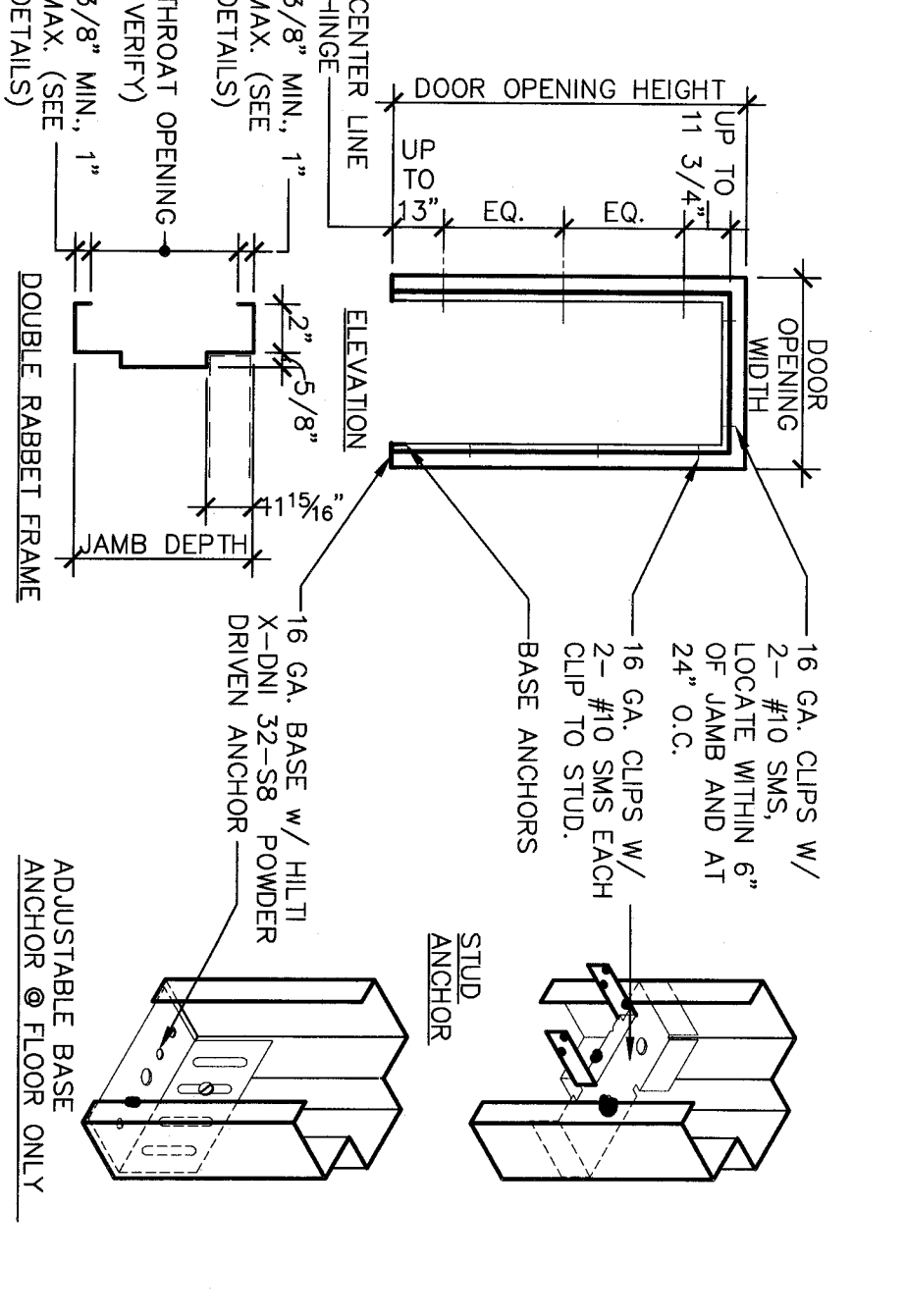
17 CONCRETE STEPS
 A103 ADE210-01 SCALE: 3/4" = 1'-0"



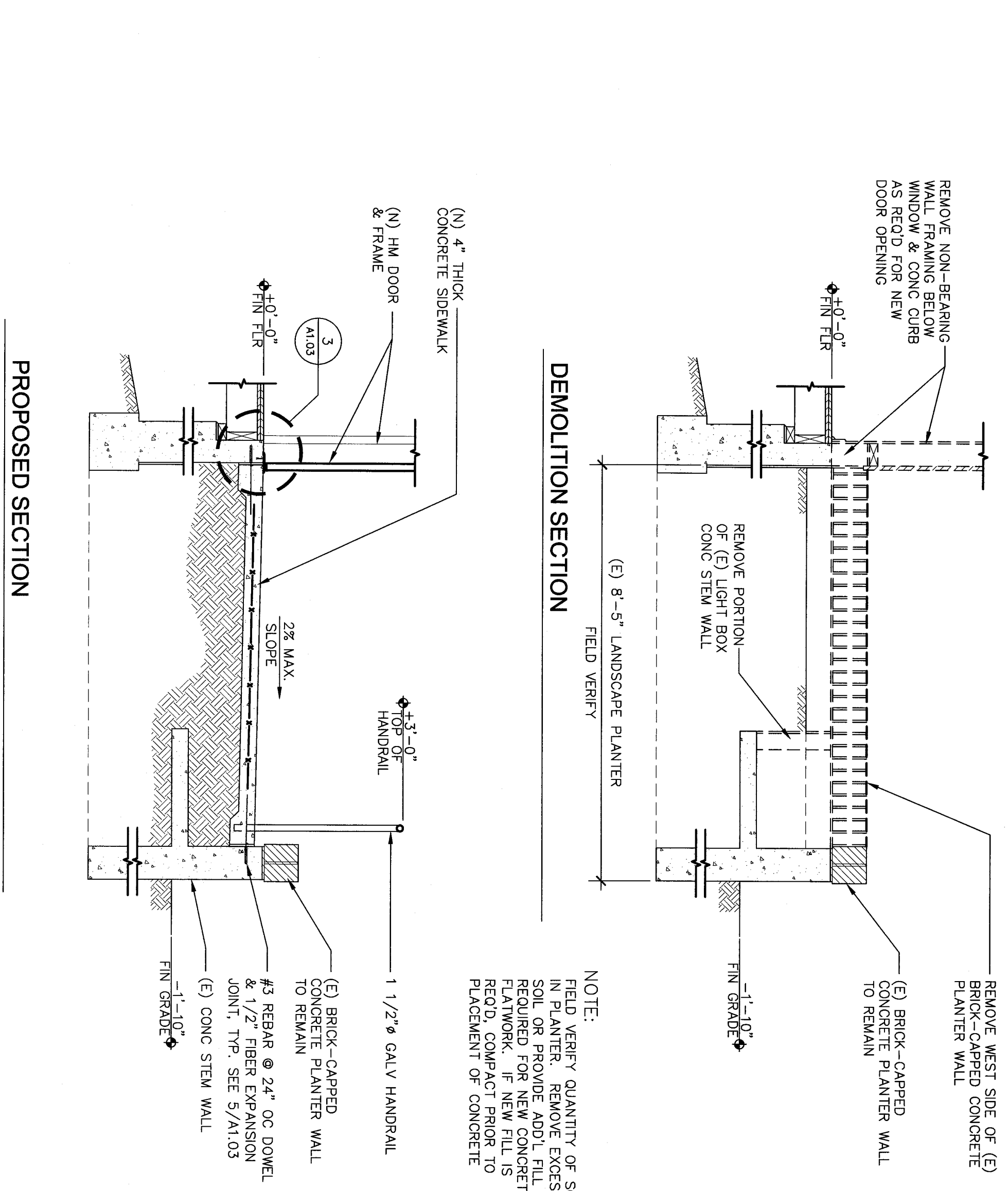
18 WARNING STRIPE NOSING
 A103 ADE100-03 SCALE: 3" = 1'-0"



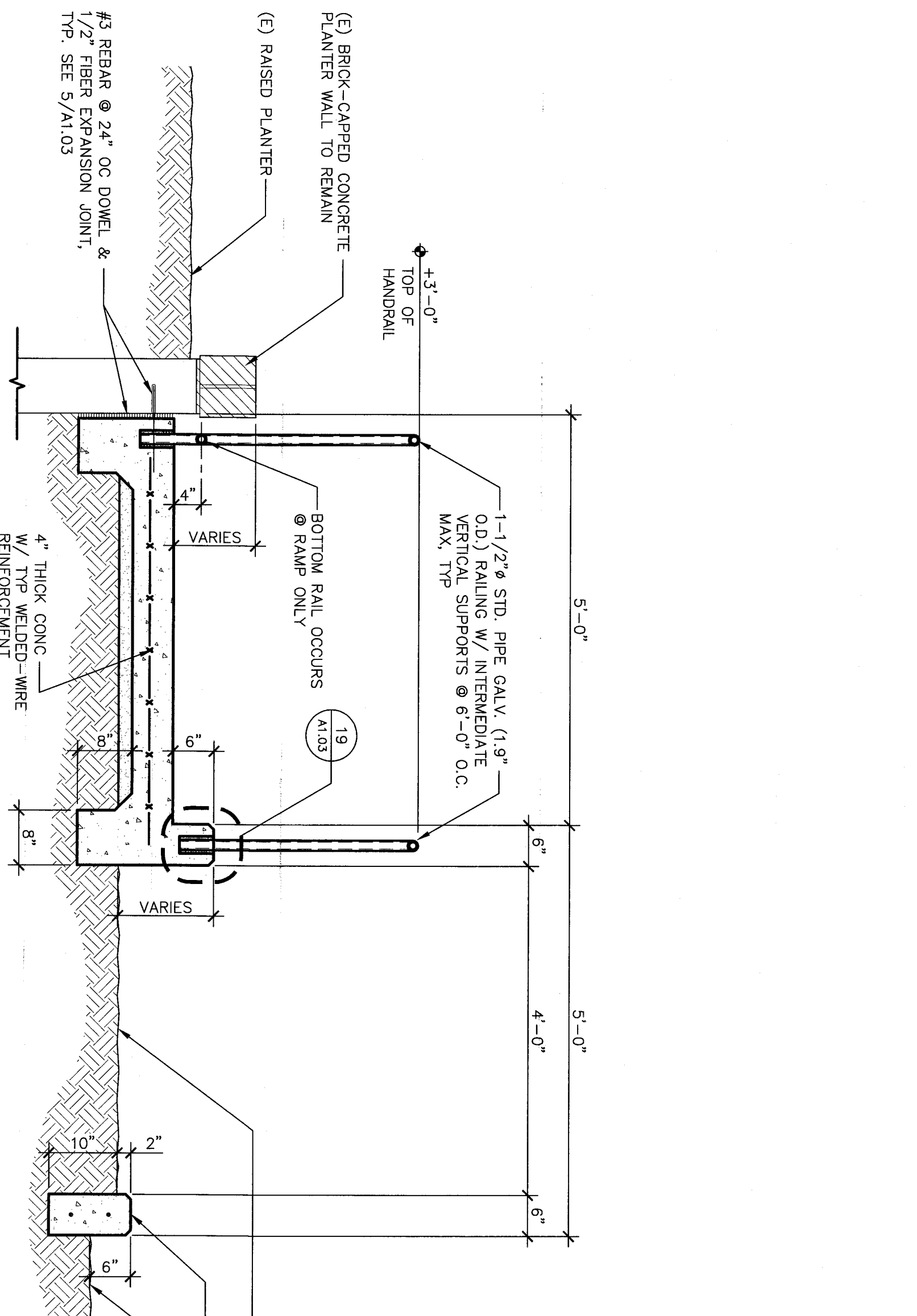
19 HANDRAIL POST SUPPORT
 A103 ADE100-05 SCALE: 1 1/2" = 1'-0"



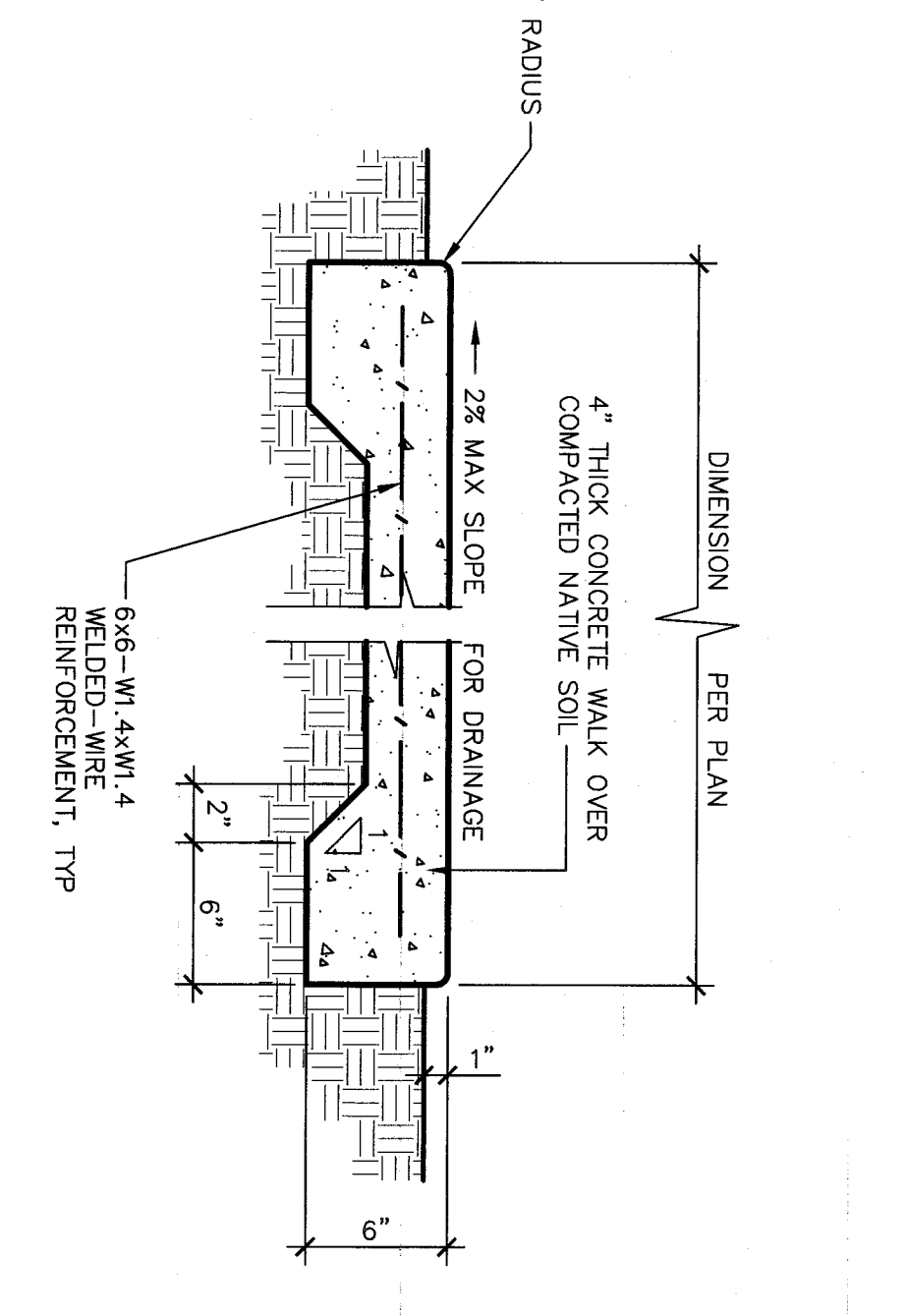
20 TYPICAL DOOR CONNECTION DETAIL
 A103 A00131-05 SCALE: 1/4" = 1'-0"



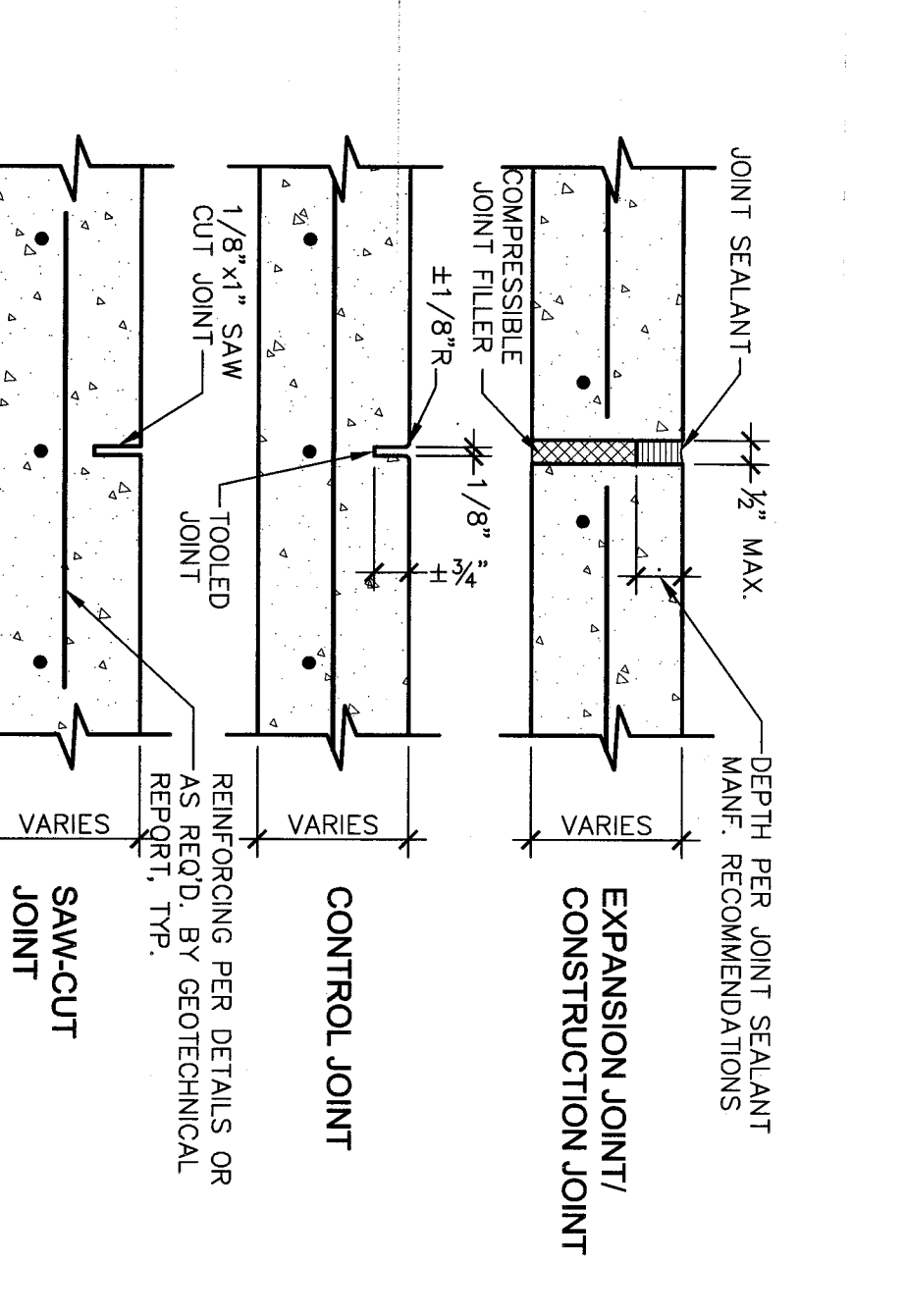
12 SECTION @ PLANTER
 A103 A05100-04 SCALE: 1/2" = 1'-0"



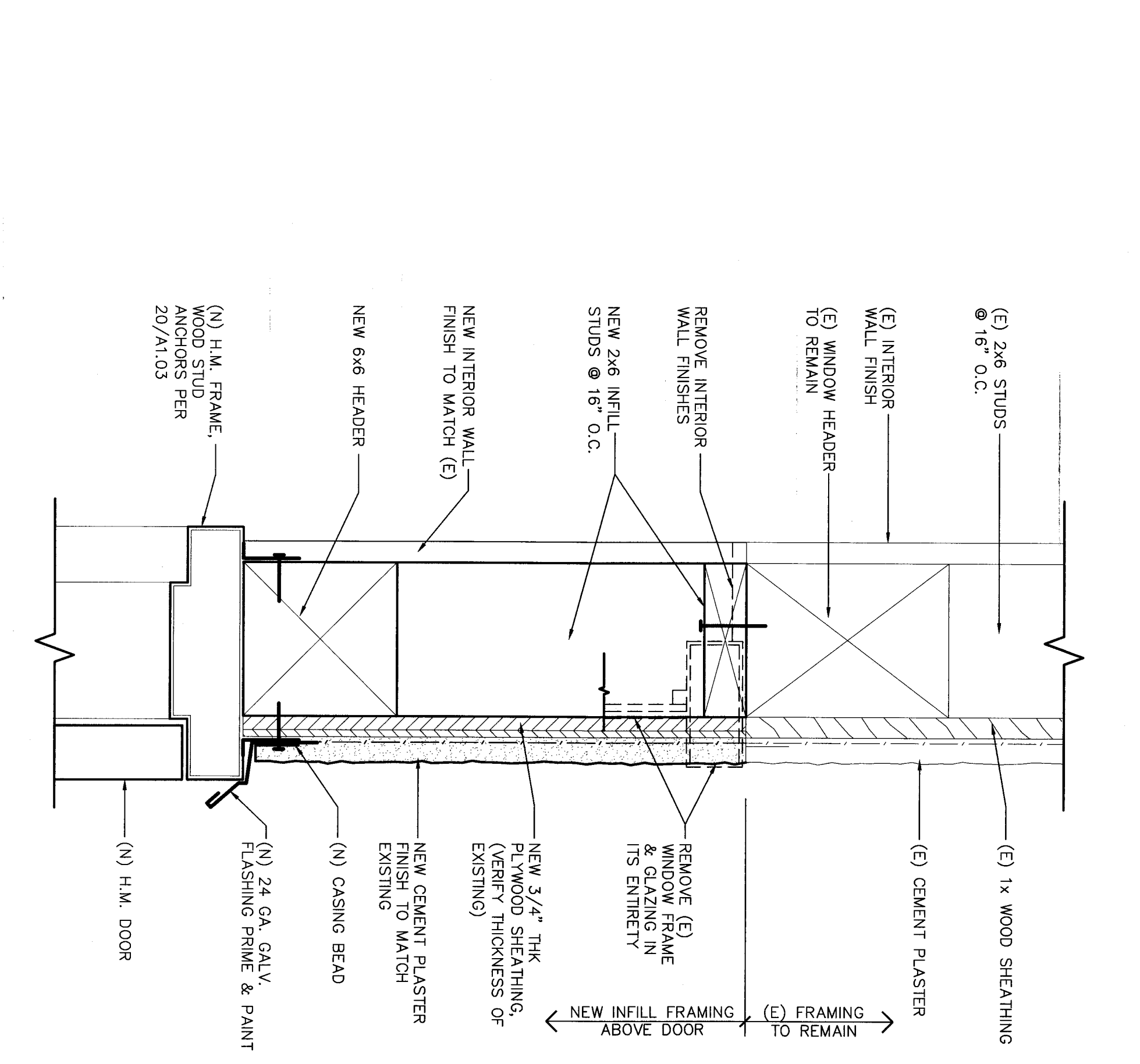
14 SECTION @ RAMP
 A103 ADE100-04 SCALE: 3/4" = 1'-0"



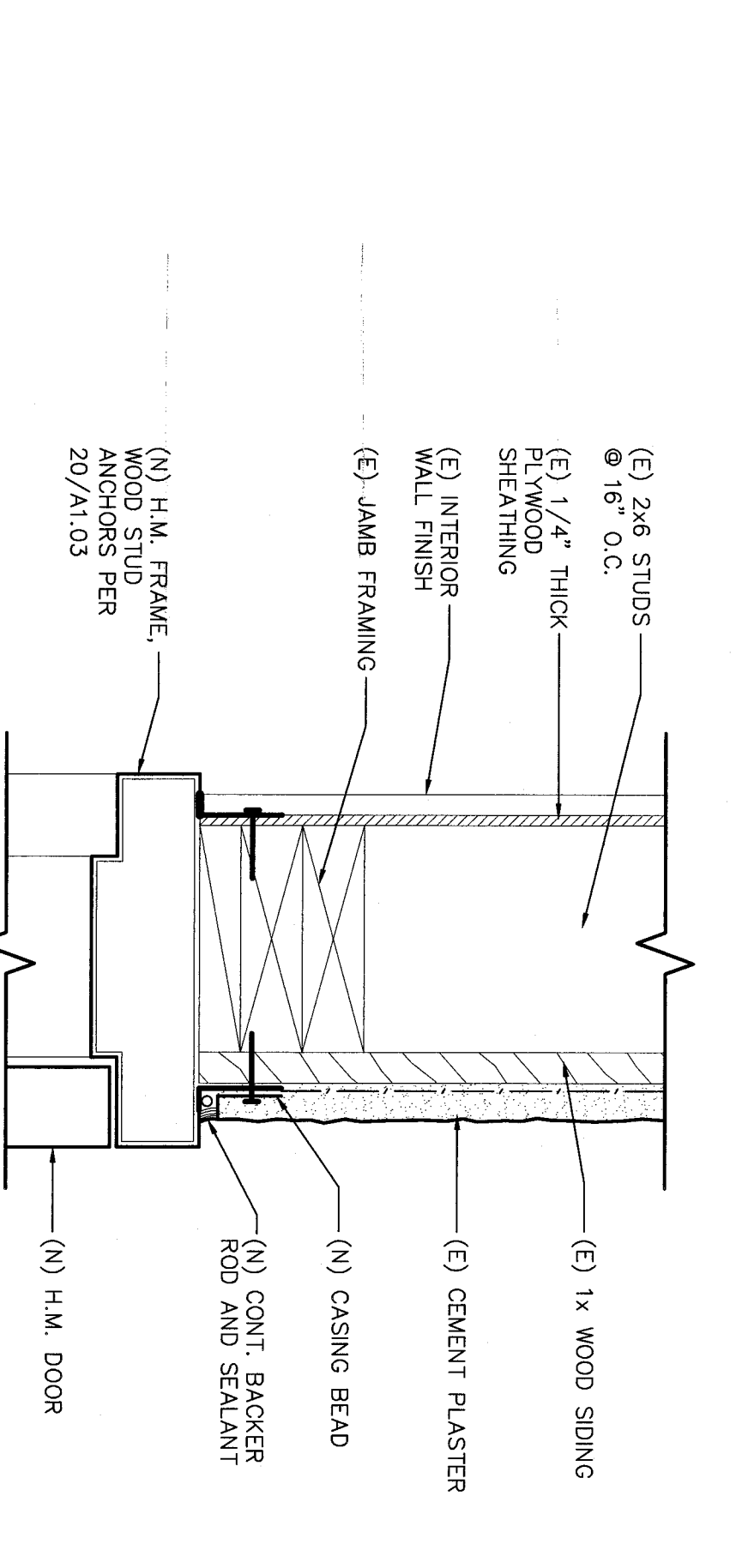
15 TYPICAL CONCRETE WALK
 A103 A05100-04 SCALE: 1 1/2" = 1'-0"



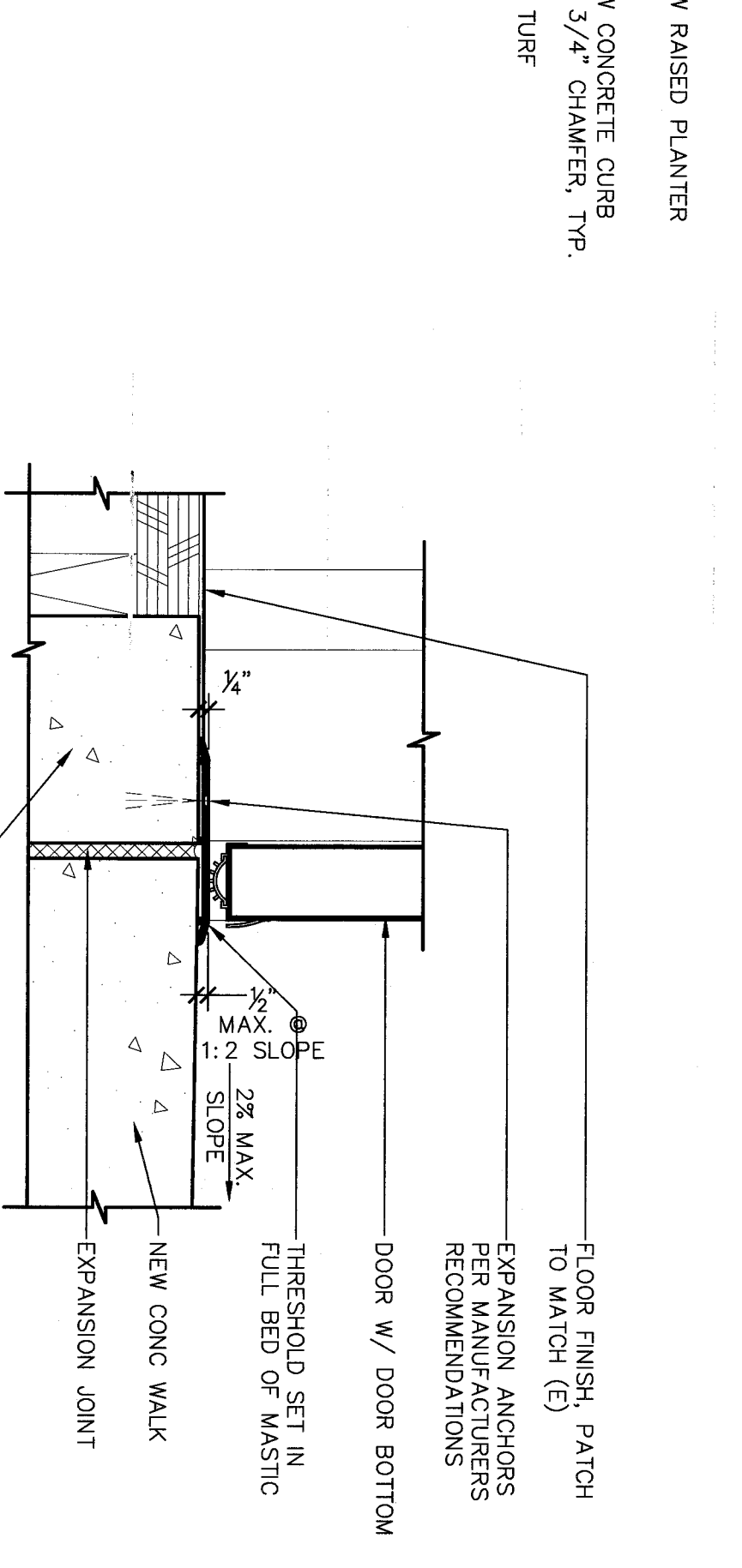
10 CONCRETE JOINTS
 A103 A05110-01 SCALE: 3" = 1'-0"



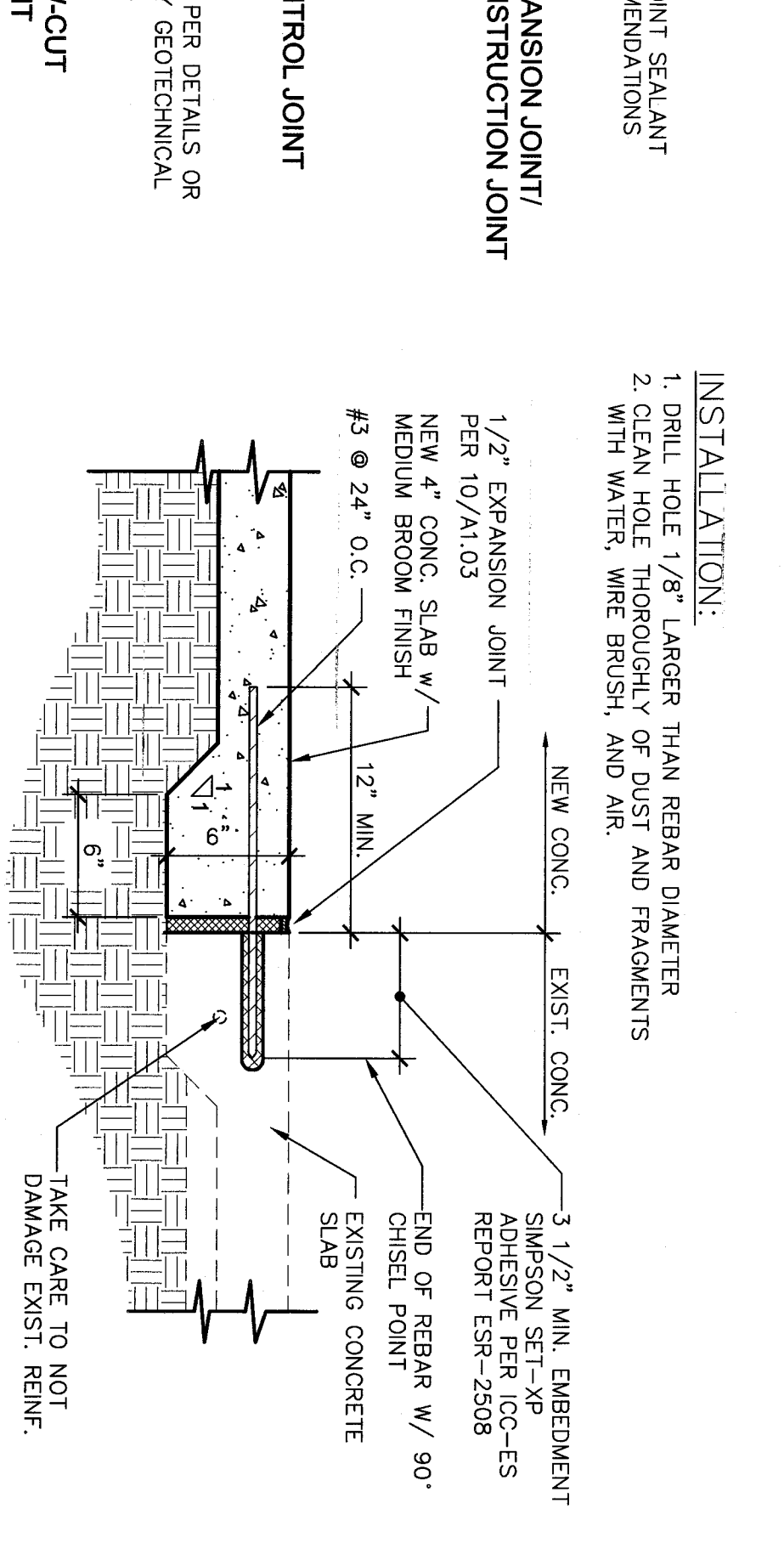
1 EXTERIOR DOOR HEAD
 A103 A00141-01 SCALE: 3" = 1'-0"



2 EXTERIOR DOOR JAMB
 A103 A00141-02 SCALE: 3" = 1'-0"



3 EXTERIOR DOOR THRESHOLD
 A103 A00130-01 SCALE: 3" = 1'-0"



5 (N) CONG. WALK @ (E) CONG. WALK
 A103 A05100-01 SCALE: 1 1/2" = 1'-0"

INSTALLATION:
 1. DRILL HOLE 1/8" LARGER THAN REBAR DIAMETER
 2. CLEAN HOLE THOROUGHLY OF DUST AND FRAGMENTS WITH WATER, WIRE BRUSH, AND AIR.
 3. 1/2" MIN. EMBEDMENT PER 10/A103
 4. SIMPSON SET-UP REPORT ESR-208
 5. END OF REBAR W/ 90° BENDING
 6. EXISTING CONCRETE SLAB
 7. NEW CONG. WALK

integrated designs by SOMAM, Inc.
 ARCHITECTURE · ENGINEERING · INTERIOR DESIGN · CONSTRUCTION MANAGEMENT
 8011 N. Fresno, Suite 130 - Fresno, California 93710
 Phone (559) 436-0881 Fax (559) 436-0887 E-Mail: design@somam.com www.integrateddesigns.com

Revision	Revision Description	Rev. Date	Revision	Revision Description	Rev. Date

SITE DETAILS

Issue Date: 06/19/15
 Date: 06/18/15

Project Name & Address:
SITE ACCESS
MT. VERNON ELEMENTARY SCHOOL
 BAKERSFIELD CITY SCHOOL DISTRICT
 2161 POTOMAC AVE BAKERSFIELD, CA 93307

Designer: JMF
 DR: JMF
 PC: JMF

Sheet No.: **5165**

Job No.: **A1.03**

Scale: 1 1/2" = 1'-0"

DATE: 06/18/15
 TIME: 10:00 AM
 BY: JMF