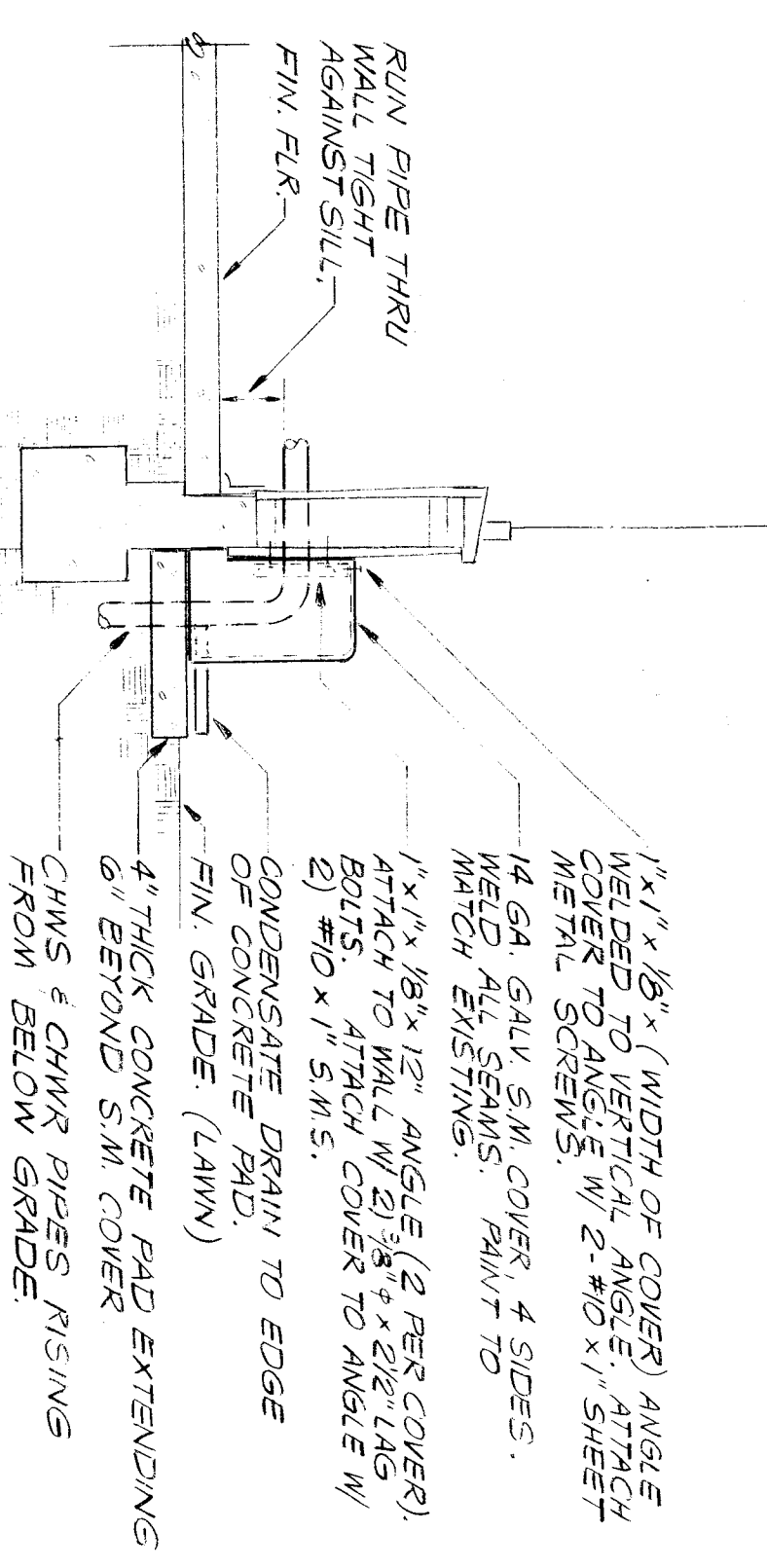
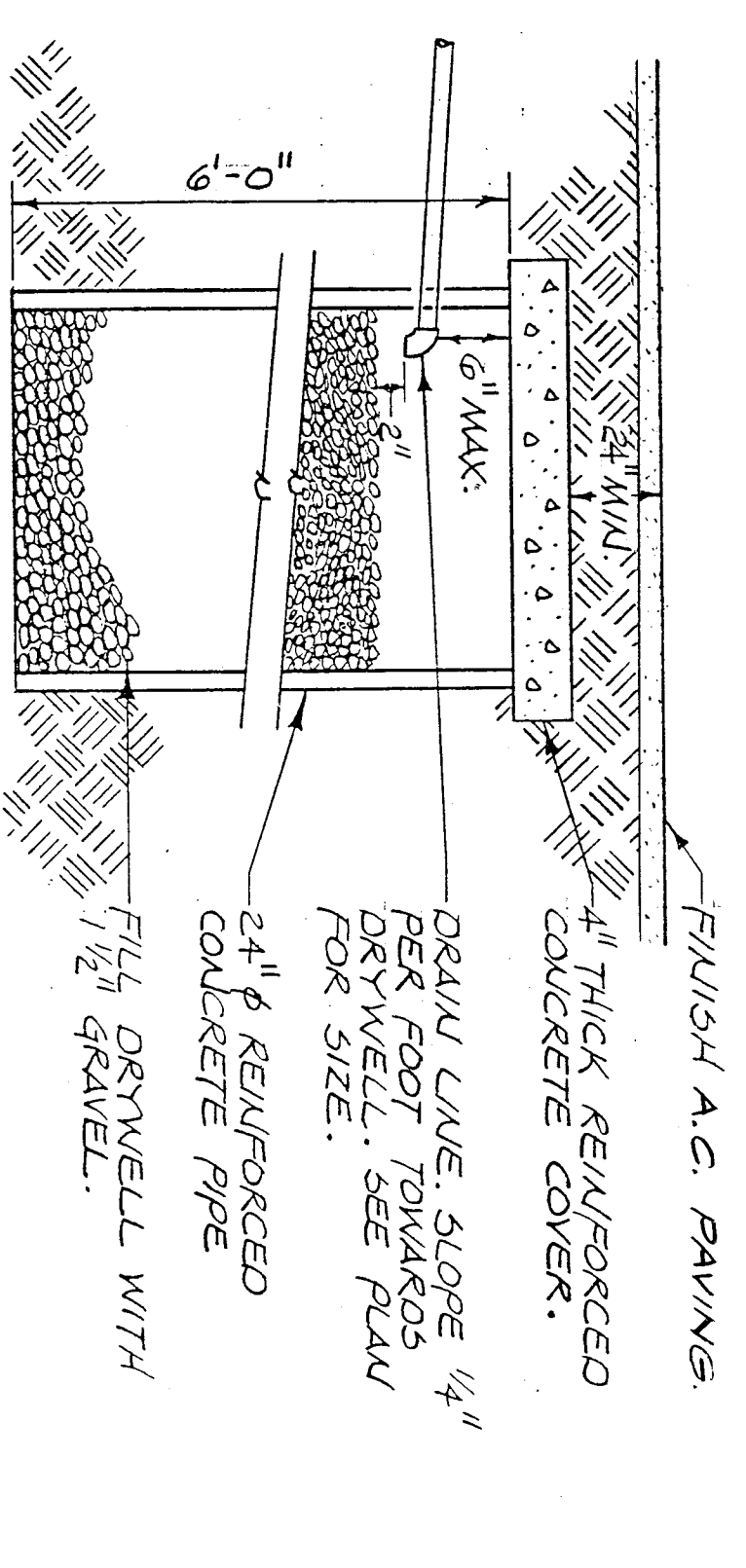


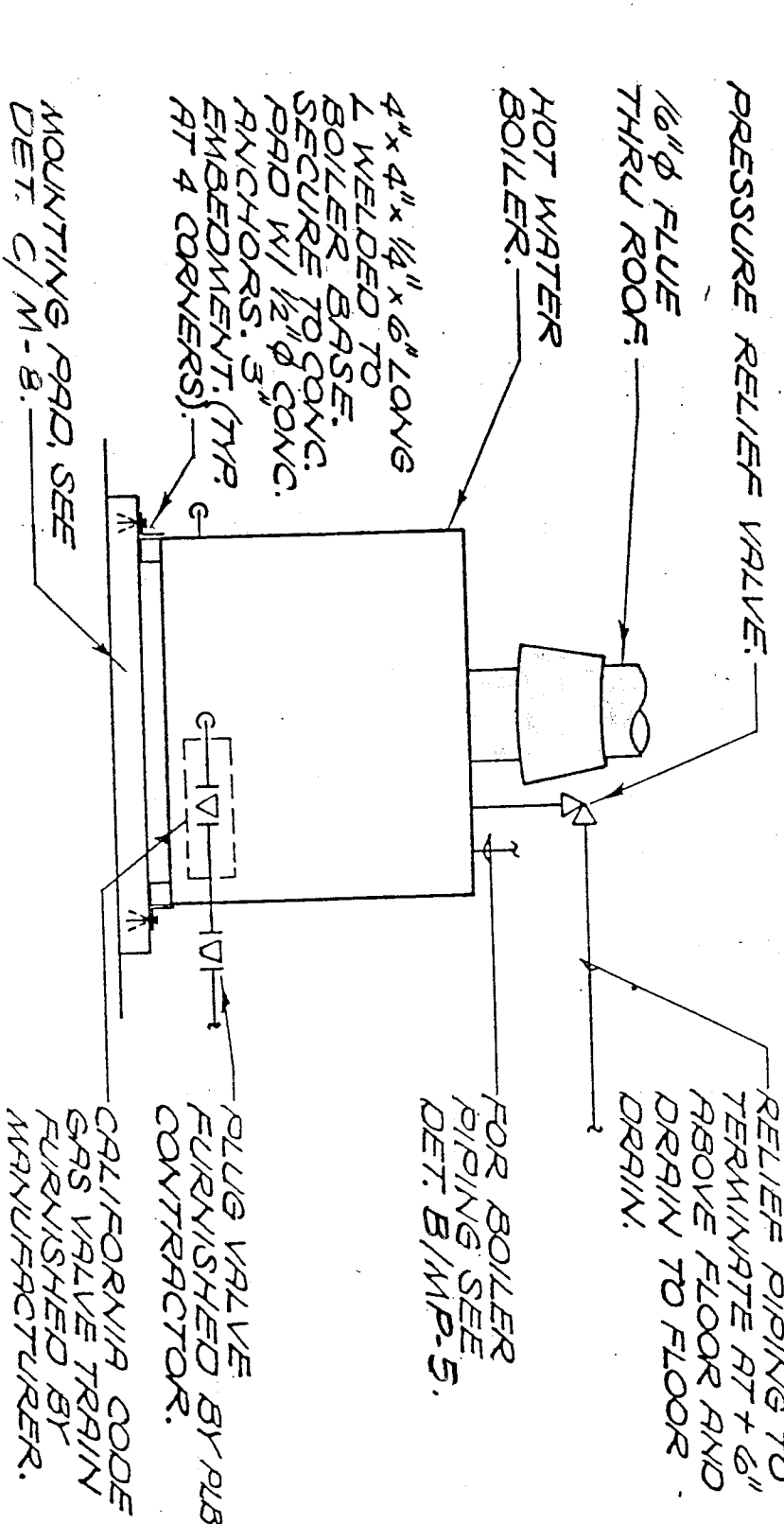
PIPE COVER DETAIL
SCALE: NONE
N MP-7



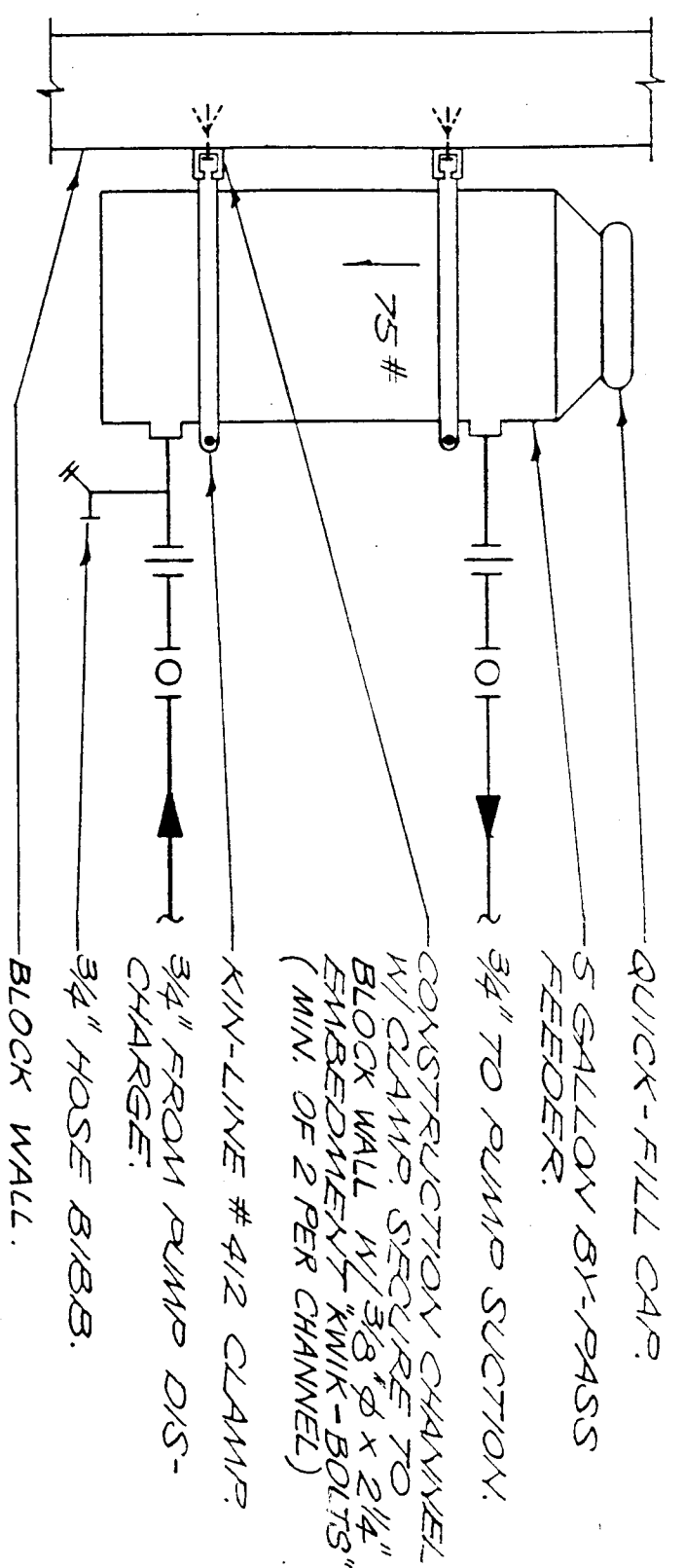
PIPE COVER DETAIL
SCALE: NONE
P MP-7



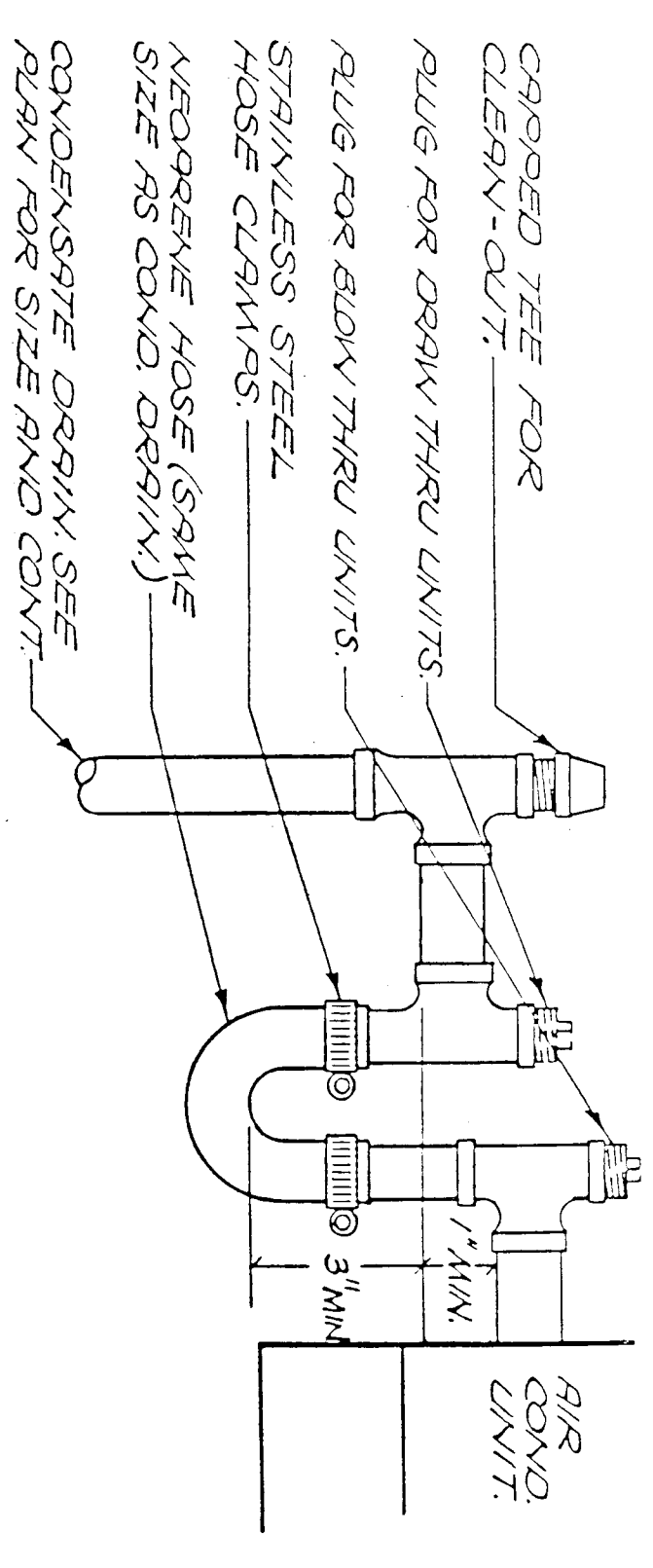
PIPE COVER DETAIL
SCALE: NONE
Q MP-7



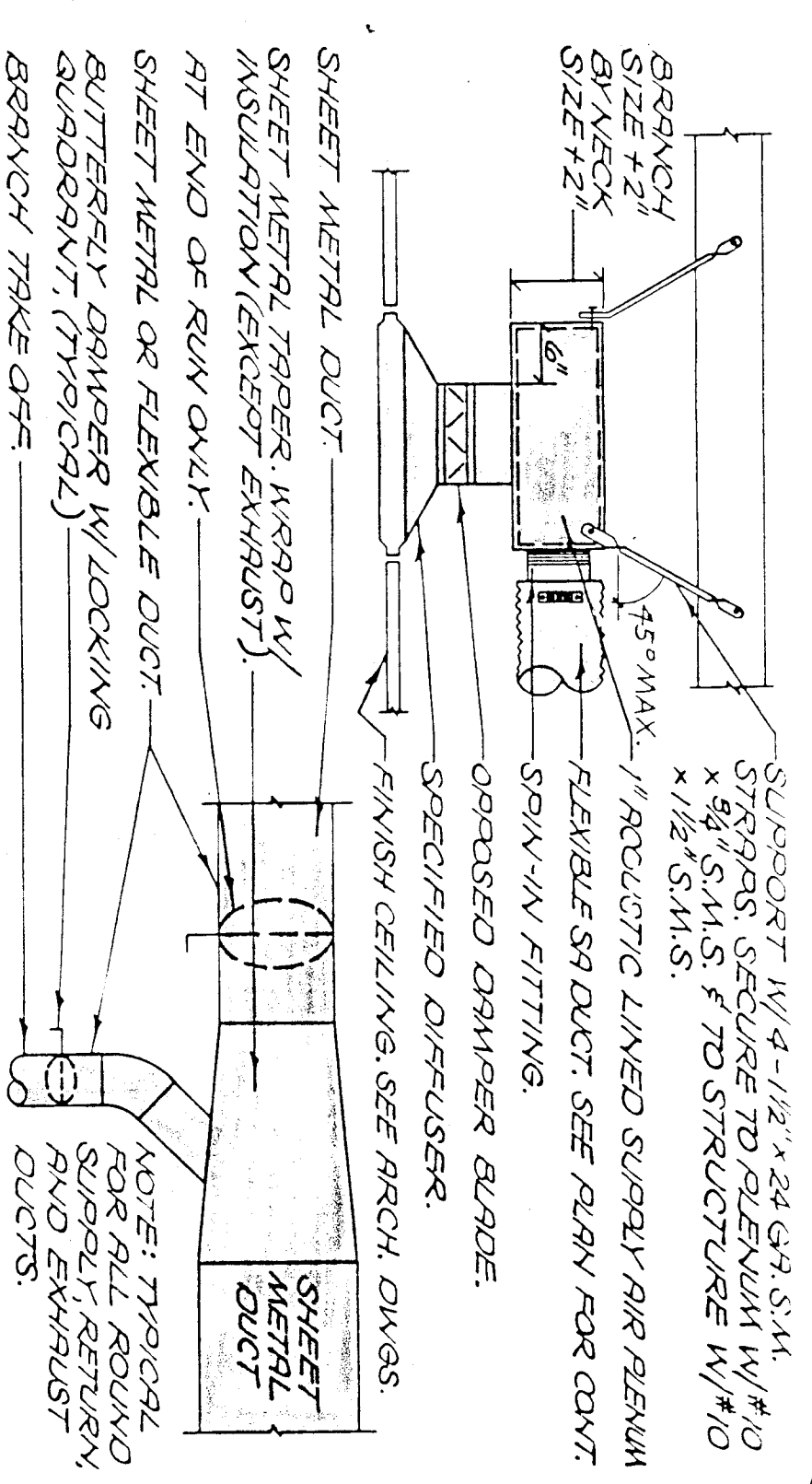
PIPE COVER DETAIL
SCALE: NONE
R MP-7



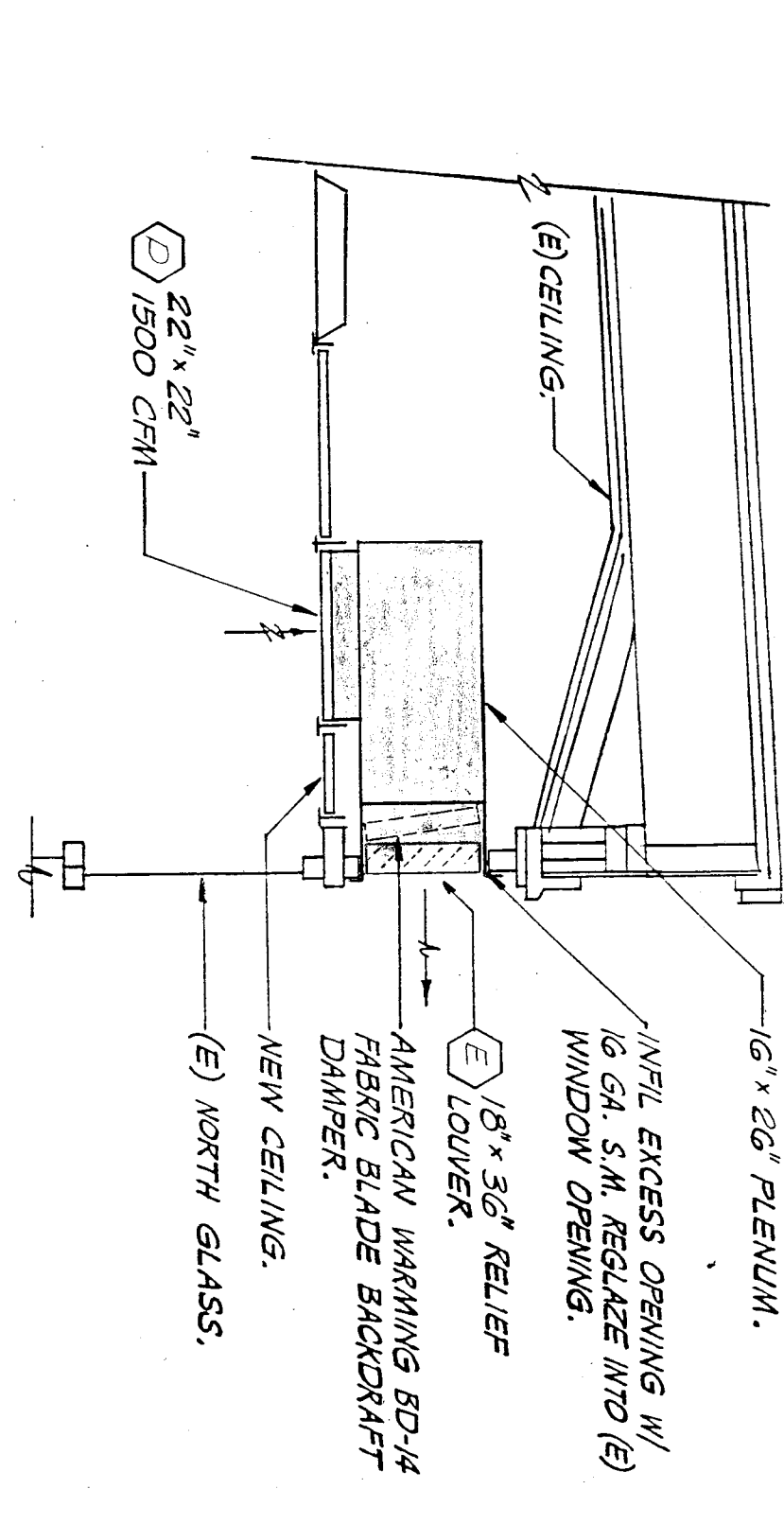
CLOSED SYSTEM BY-PASS FEEDER
SCALE: NONE
U MP-7



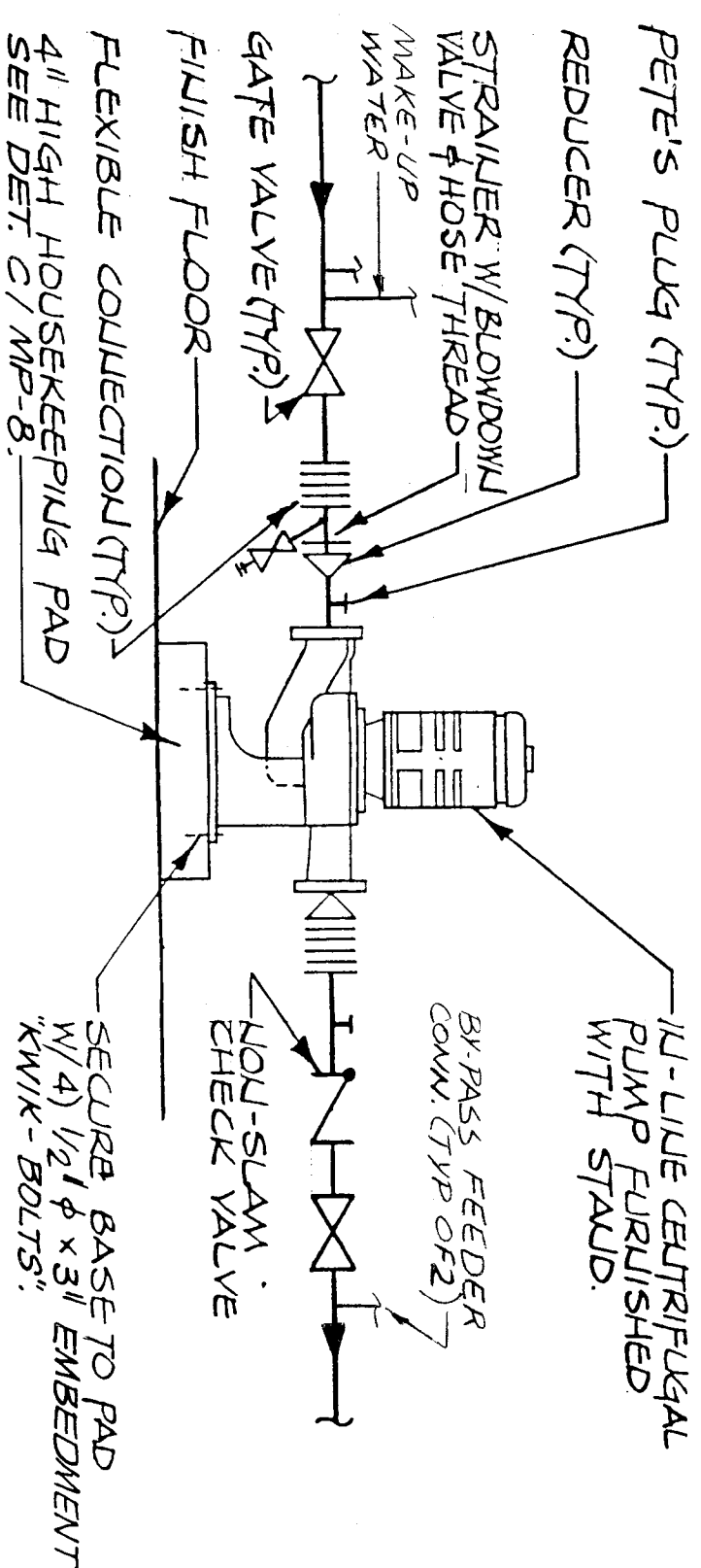
CLOSED SYSTEM BY-PASS FEEDER
SCALE: NONE
V MP-7



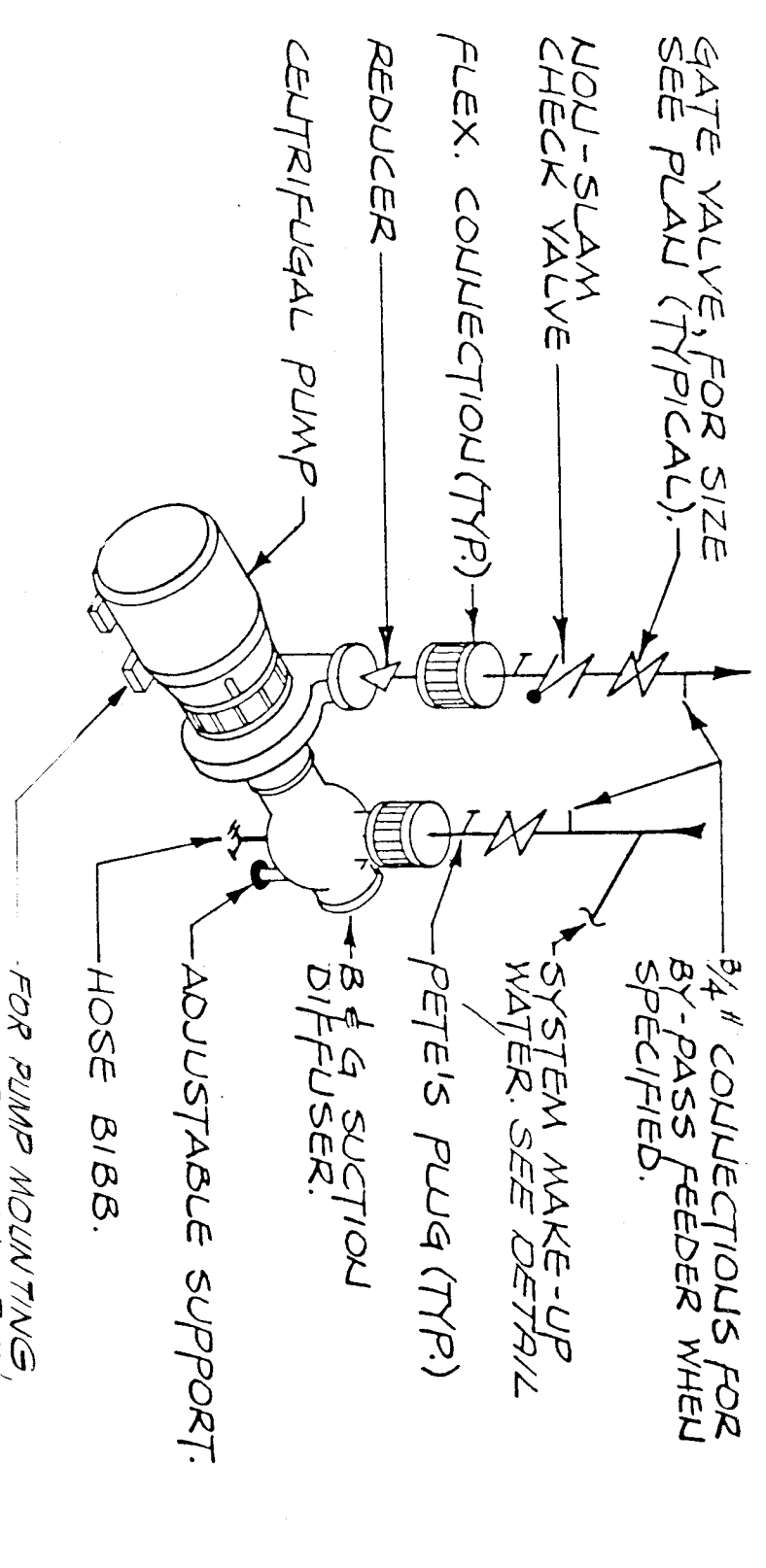
CONDENSATE DRAIN CONNECTION (K)
SCALE: NONE
K MP-7



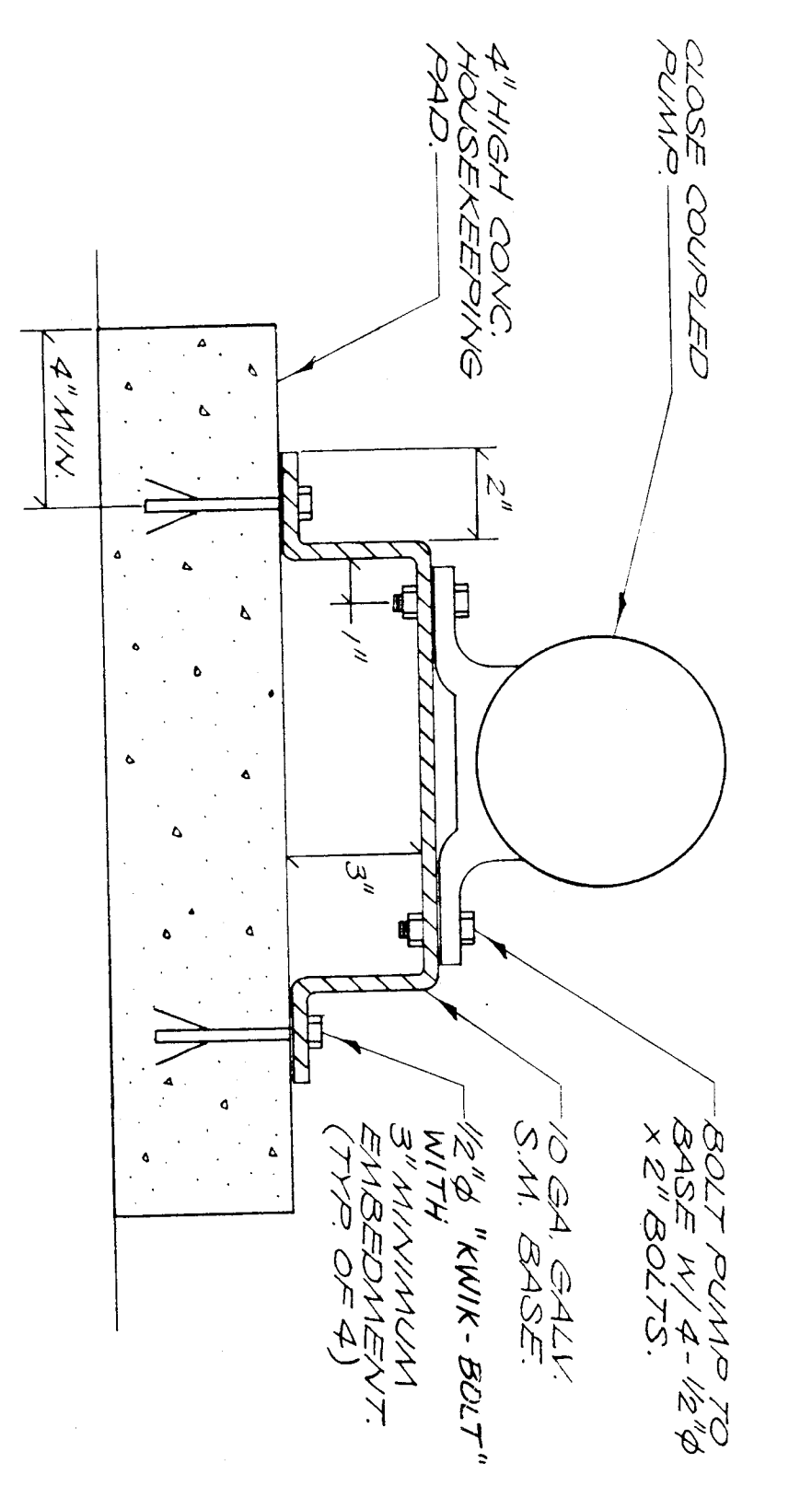
CONDENSATE DRAIN CONNECTION (L)
SCALE: NONE
L MP-7



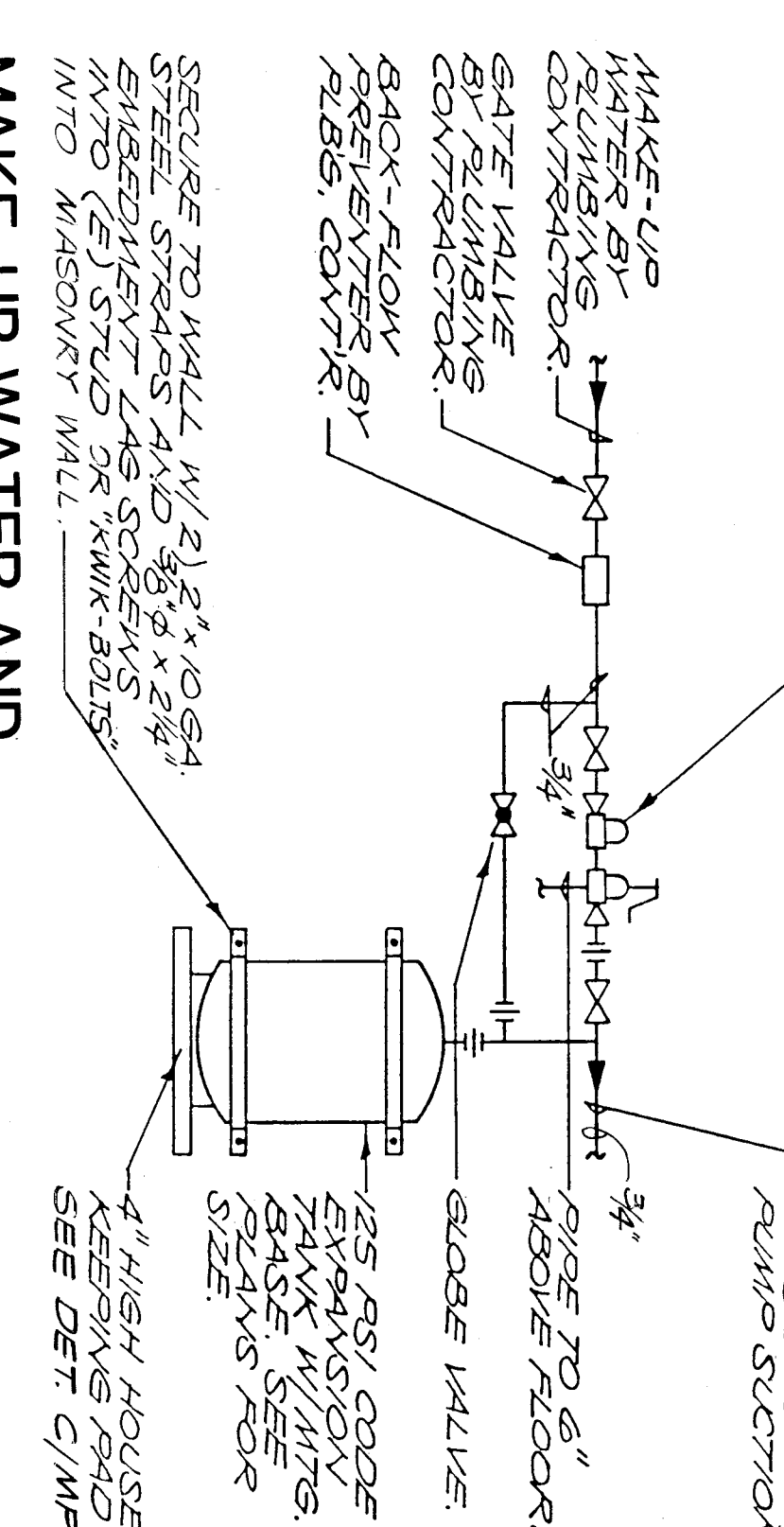
IN LINE PUMP PIPING (E)
SCALE: NONE
E MP-7



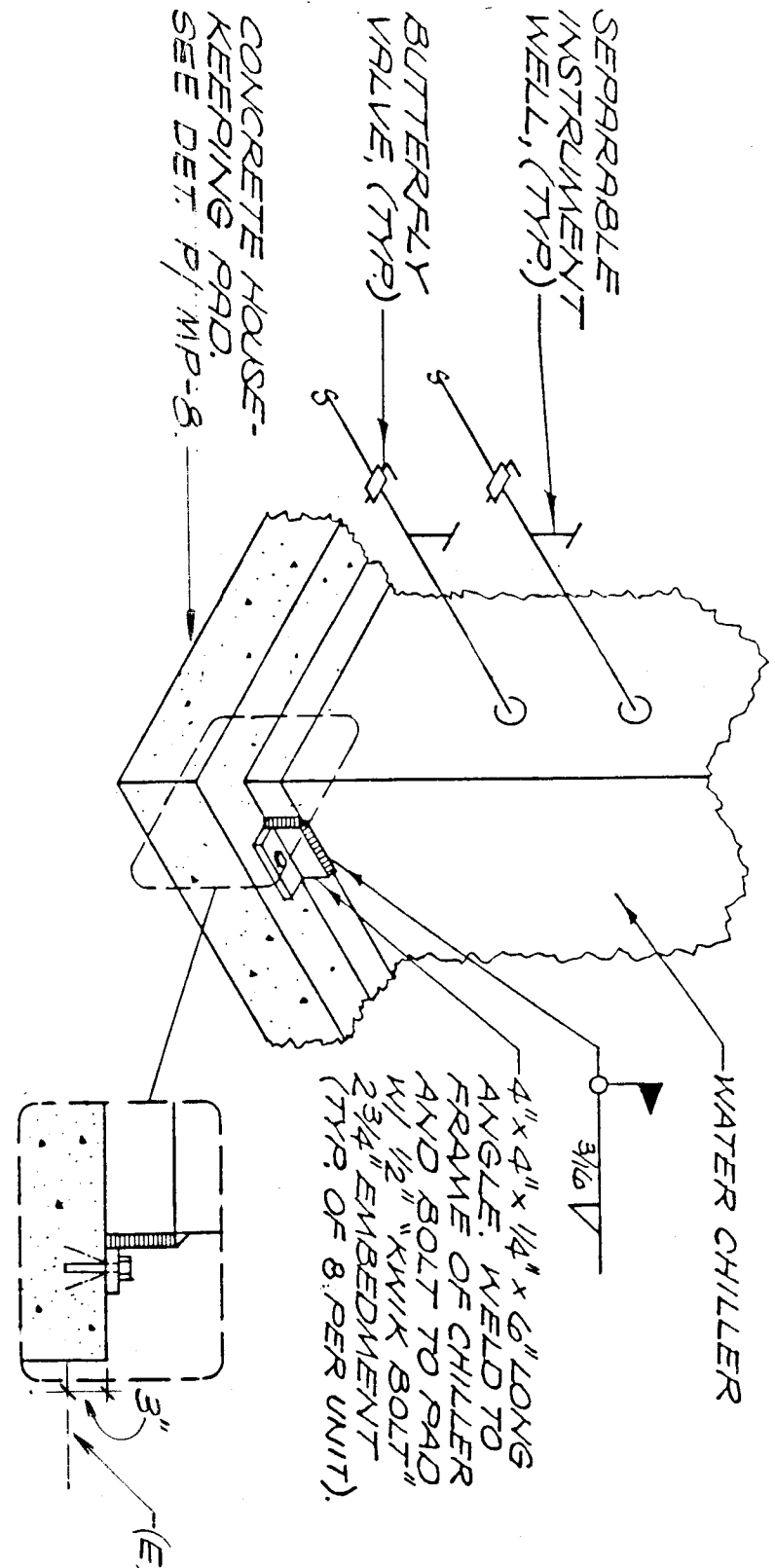
IN LINE PUMP PIPING (F)
SCALE: NONE
F MP-7



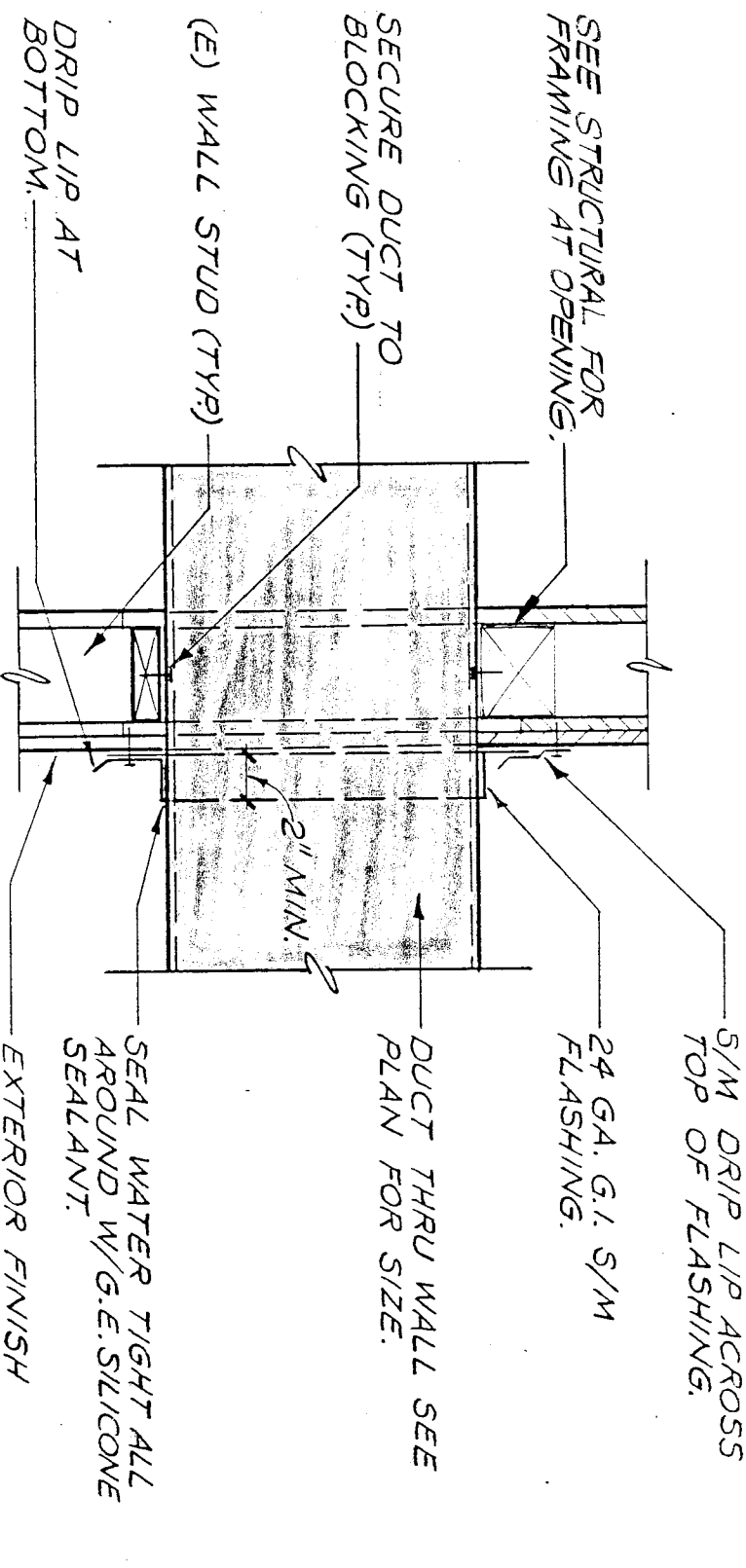
IN LINE PUMP PIPING (G)
SCALE: NONE
G MP-7



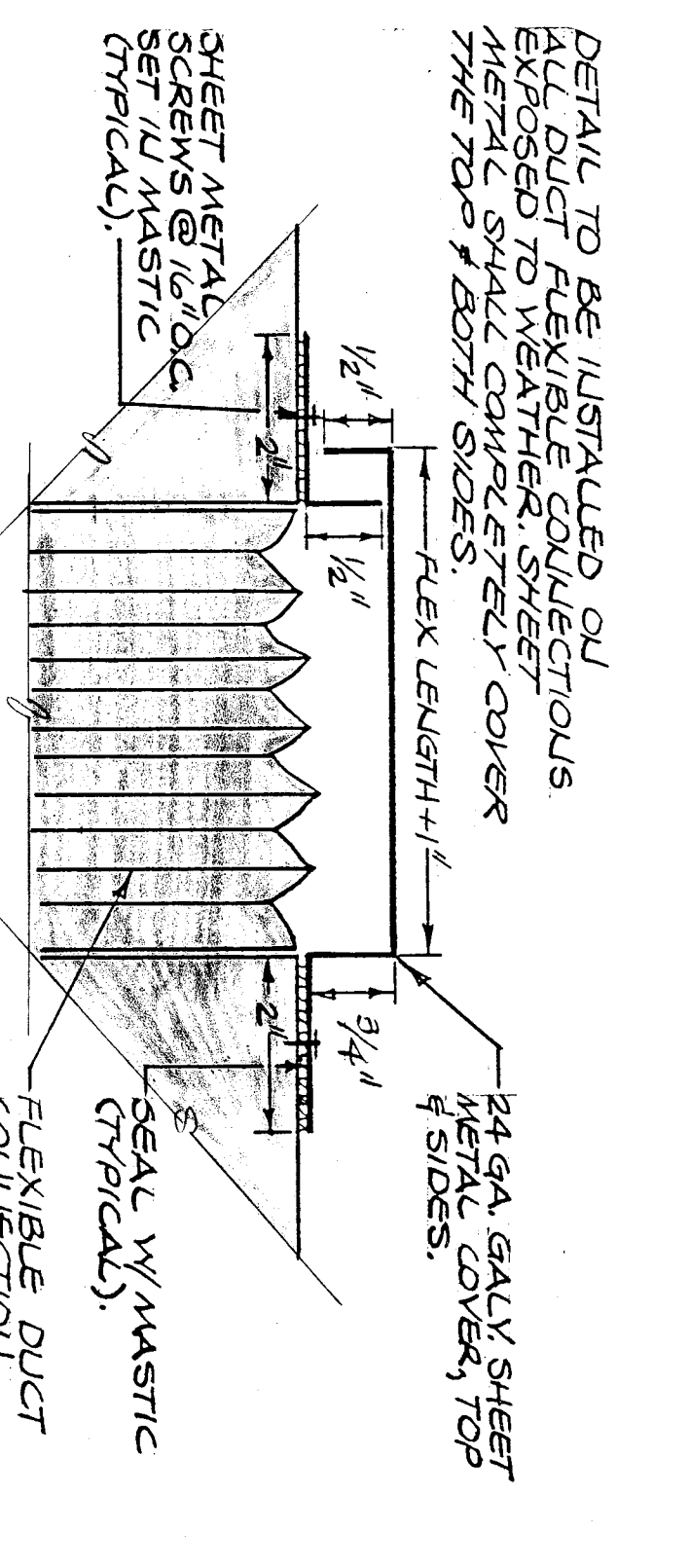
IN LINE PUMP PIPING (H)
SCALE: NONE
H MP-7



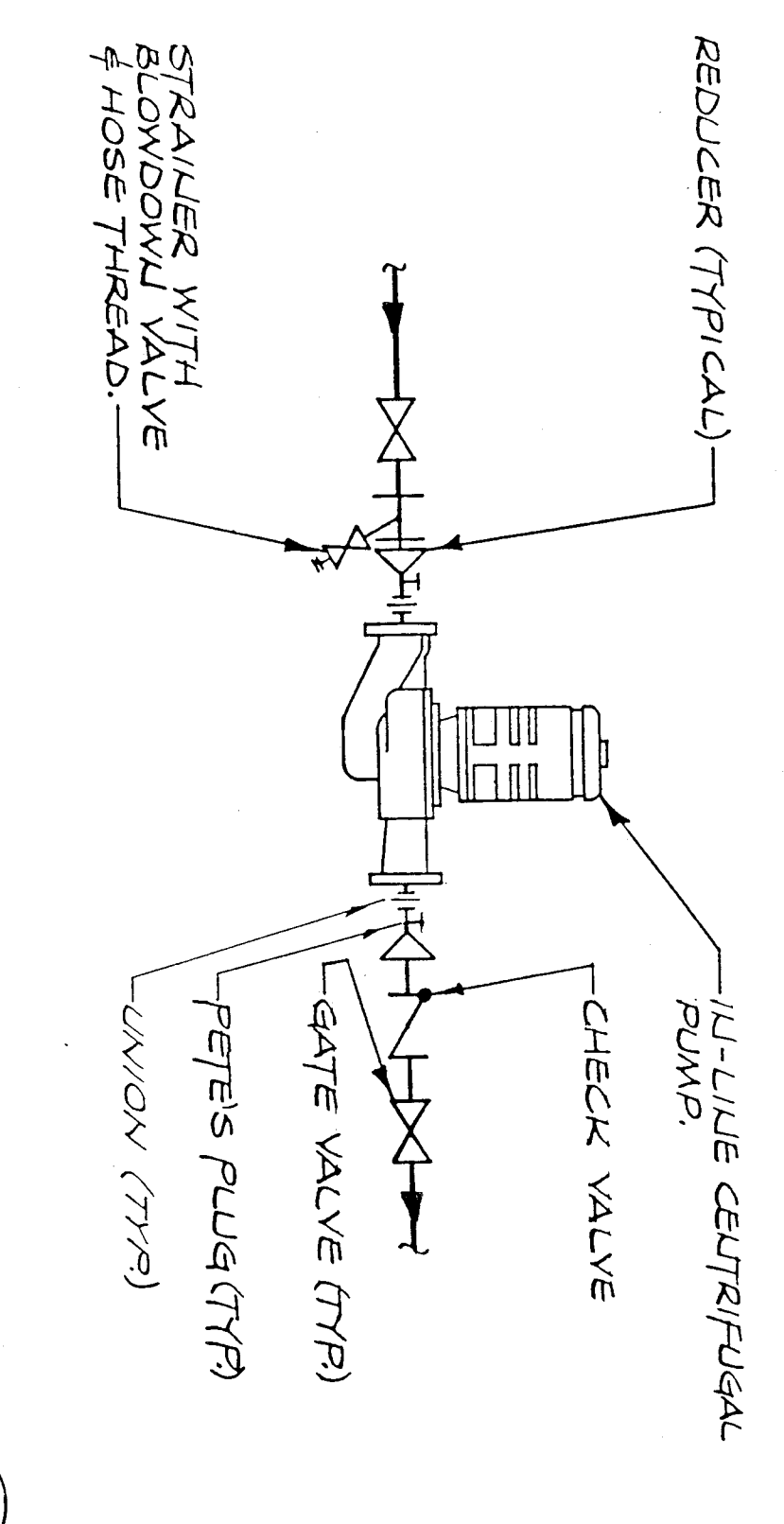
WATER CHILLER MOUNTING & PIPING DETAIL
SCALE: NONE
A MP-7



WATER CHILLER MOUNTING & PIPING DETAIL
SCALE: NONE
B MP-7



WATER CHILLER MOUNTING & PIPING DETAIL
SCALE: NONE
C MP-7



WATER CHILLER MOUNTING & PIPING DETAIL
SCALE: NONE
D MP-7

DRYWELL DETAIL
SCALE: NONE
Q MP-7

DRYWELL DETAIL
SCALE: NONE
R MP-7

TYPICAL S.A. DEVICE-BRANCH DUCT DETAIL
SCALE: NONE
L MP-7

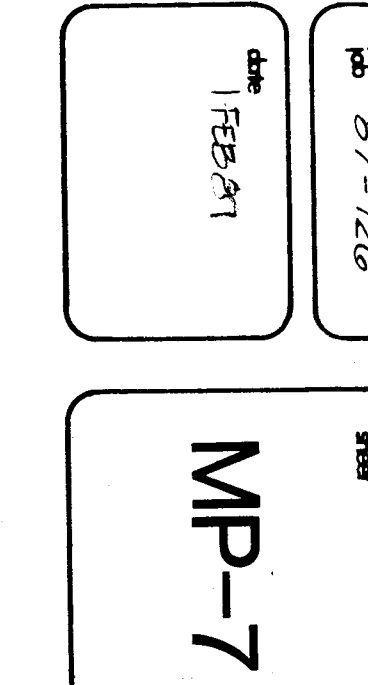
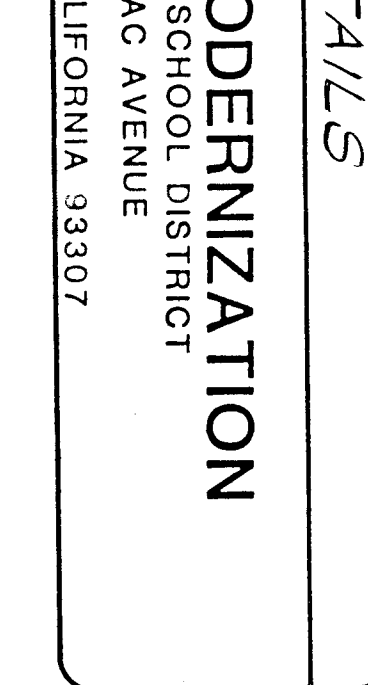
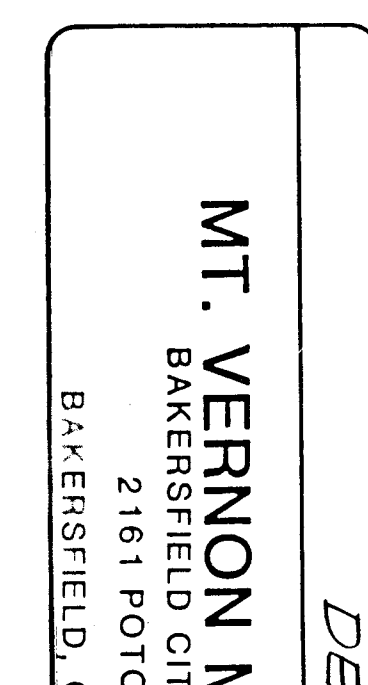
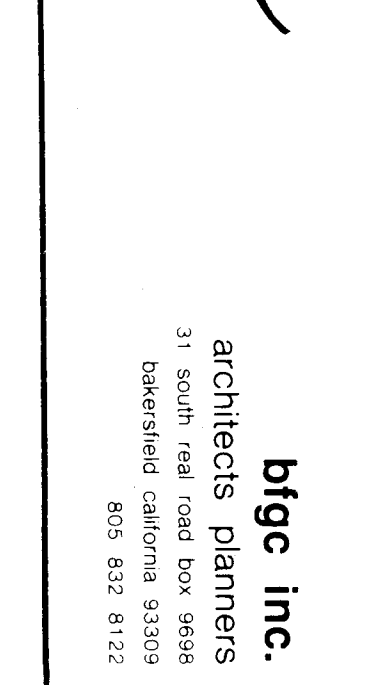
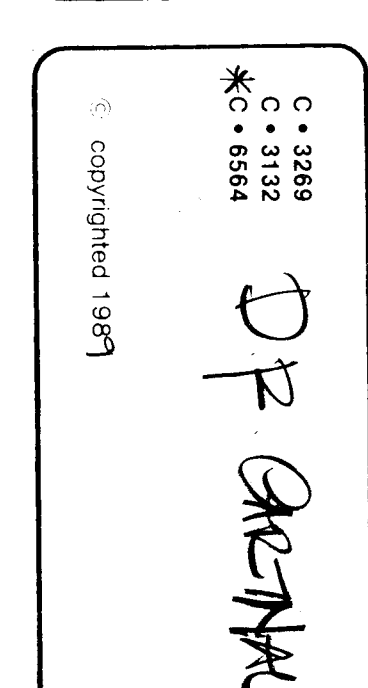
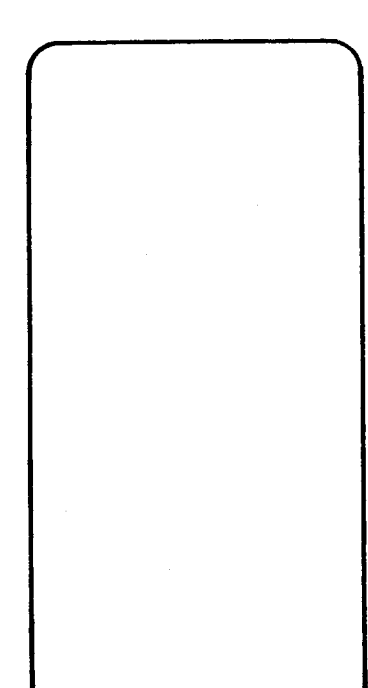
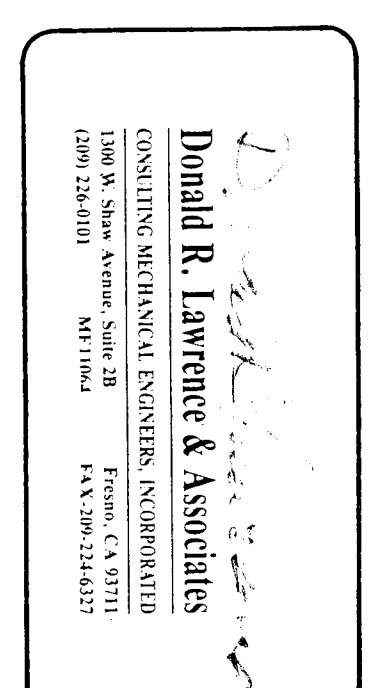
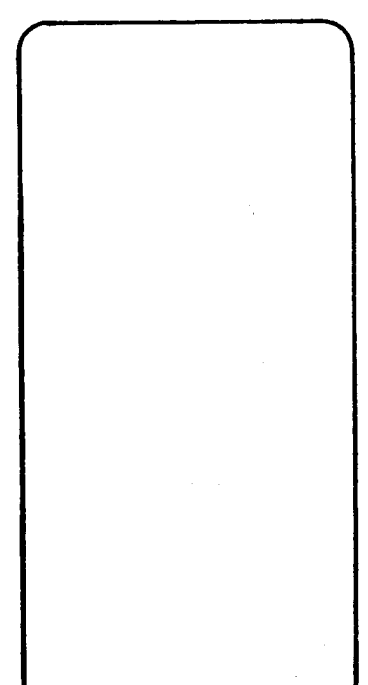
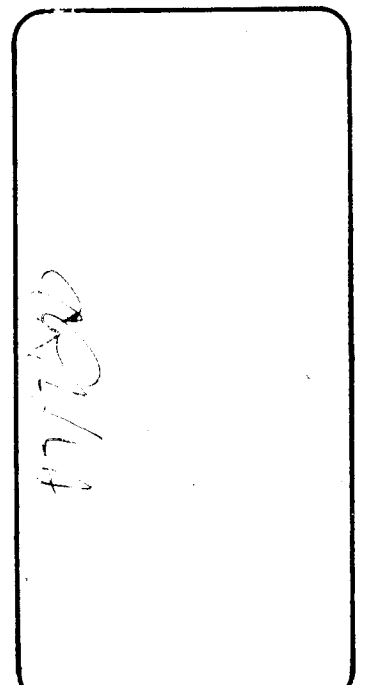
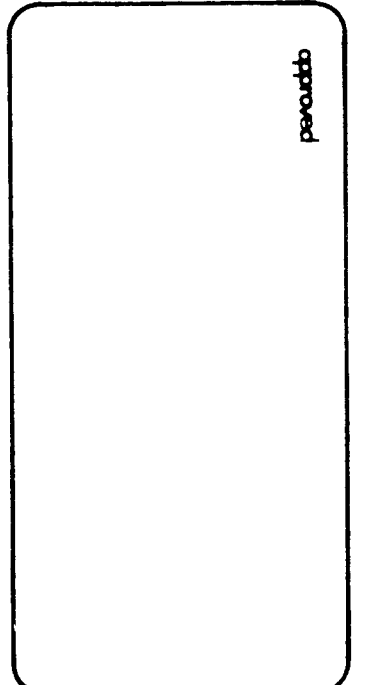
TYPICAL S.A. DEVICE-BRANCH DUCT DETAIL
SCALE: NONE
M MP-7

CLOSE COUPLED PUMP BASE
SCALE: NONE
G MP-7

CLOSE COUPLED PUMP BASE
SCALE: NONE
H MP-7

SHEET METAL WEATHER COVER DETAIL FOR FLEXIBLE DUCT CONNECTION
SCALE: NONE
C MP-7

SHEET METAL WEATHER COVER DETAIL FOR FLEXIBLE DUCT CONNECTION
SCALE: NONE
D MP-7



87-106

FEB 81

MP-7

DETAILS
MT. VERNON MODERNIZATION
BAKERSFIELD CITY SCHOOL DISTRICT
2161 POTOMAC AVENUE
BAKERSFIELD, CALIFORNIA 93307

dlgc inc.
architects - planners
3100 W. 10TH STREET
DOWNEY, CALIFORNIA 90240
805.832.8122

DR
ARCHITECTS - PLANNERS
1000 W. 10TH STREET
DOWNEY, CALIFORNIA 90240
805.832.8122

Donald R. Lawrence & Associates
CONSULTING ARCHITECTS, INCORPORATED
1000 W. 10TH STREET
DOWNEY, CALIFORNIA 90240
805.832.8122