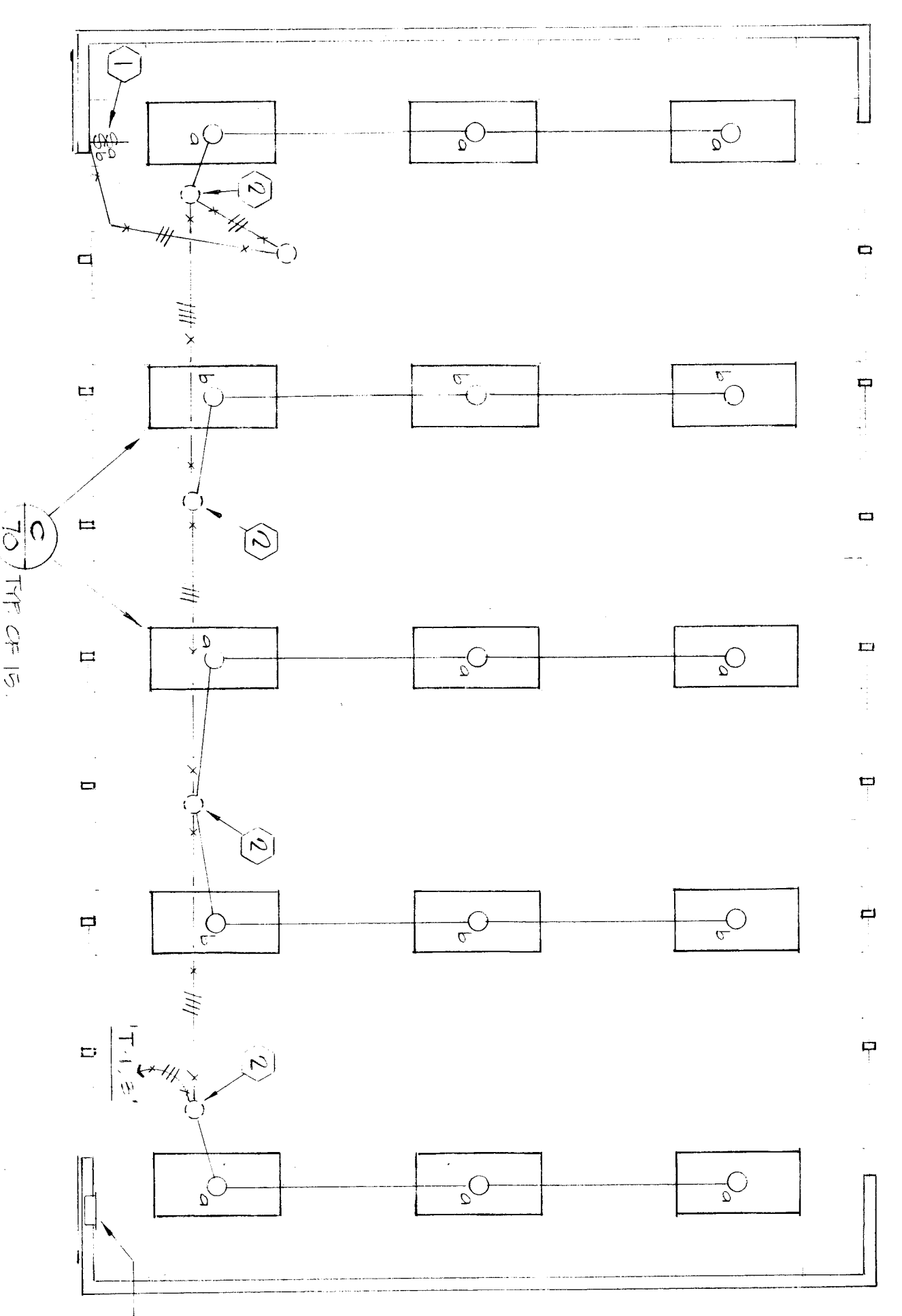
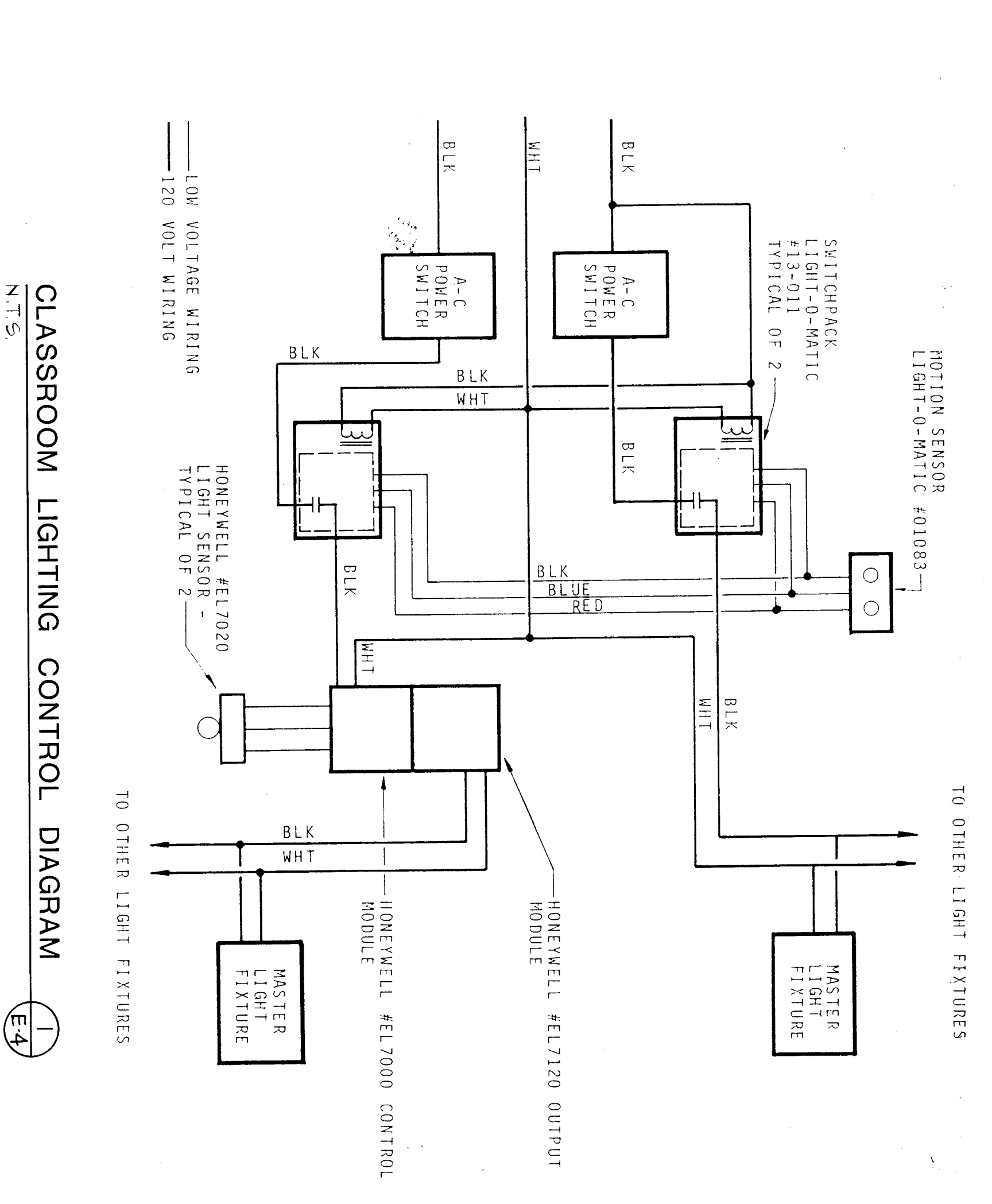


PARTIAL BLDG. 700
LIGHTING FLOOR PLAN
1/4" = 1'-0"

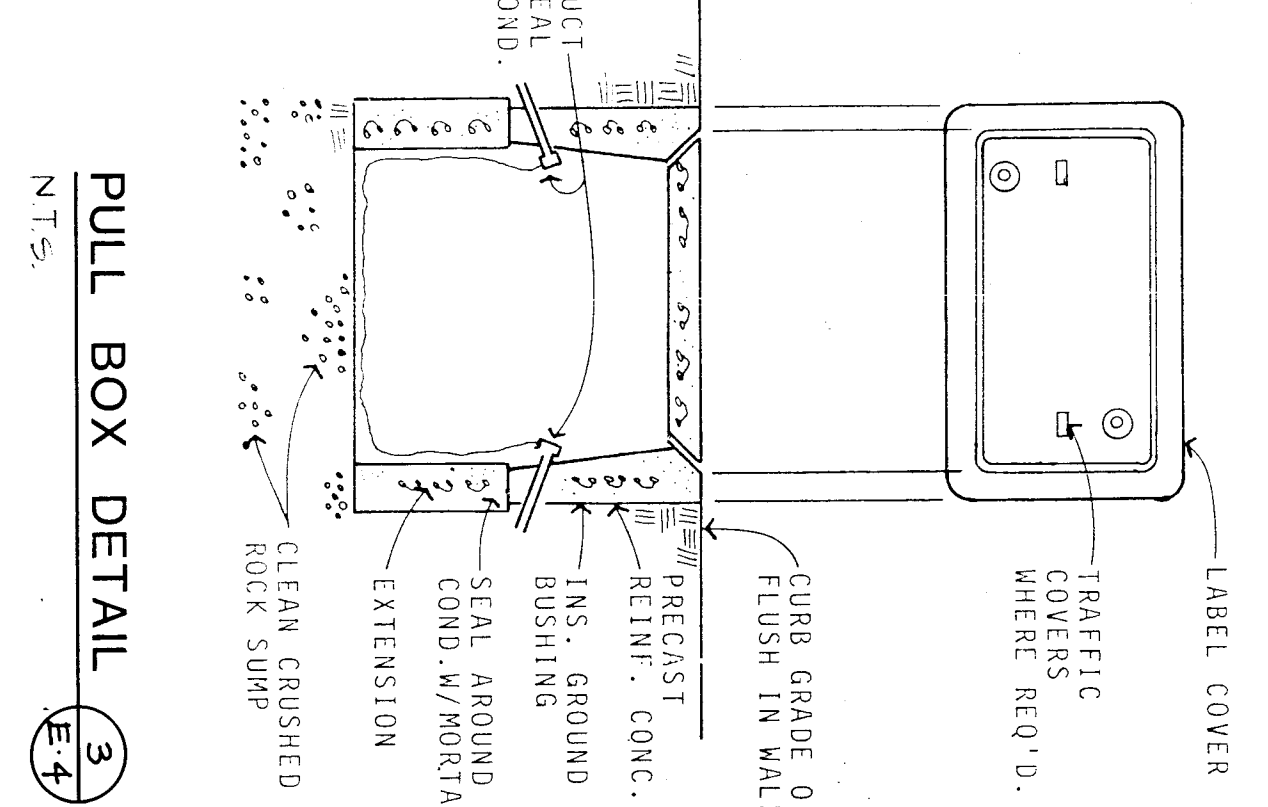


BUILDING 800
LIGHTING FLOOR PLAN
1/4" = 1'-0"

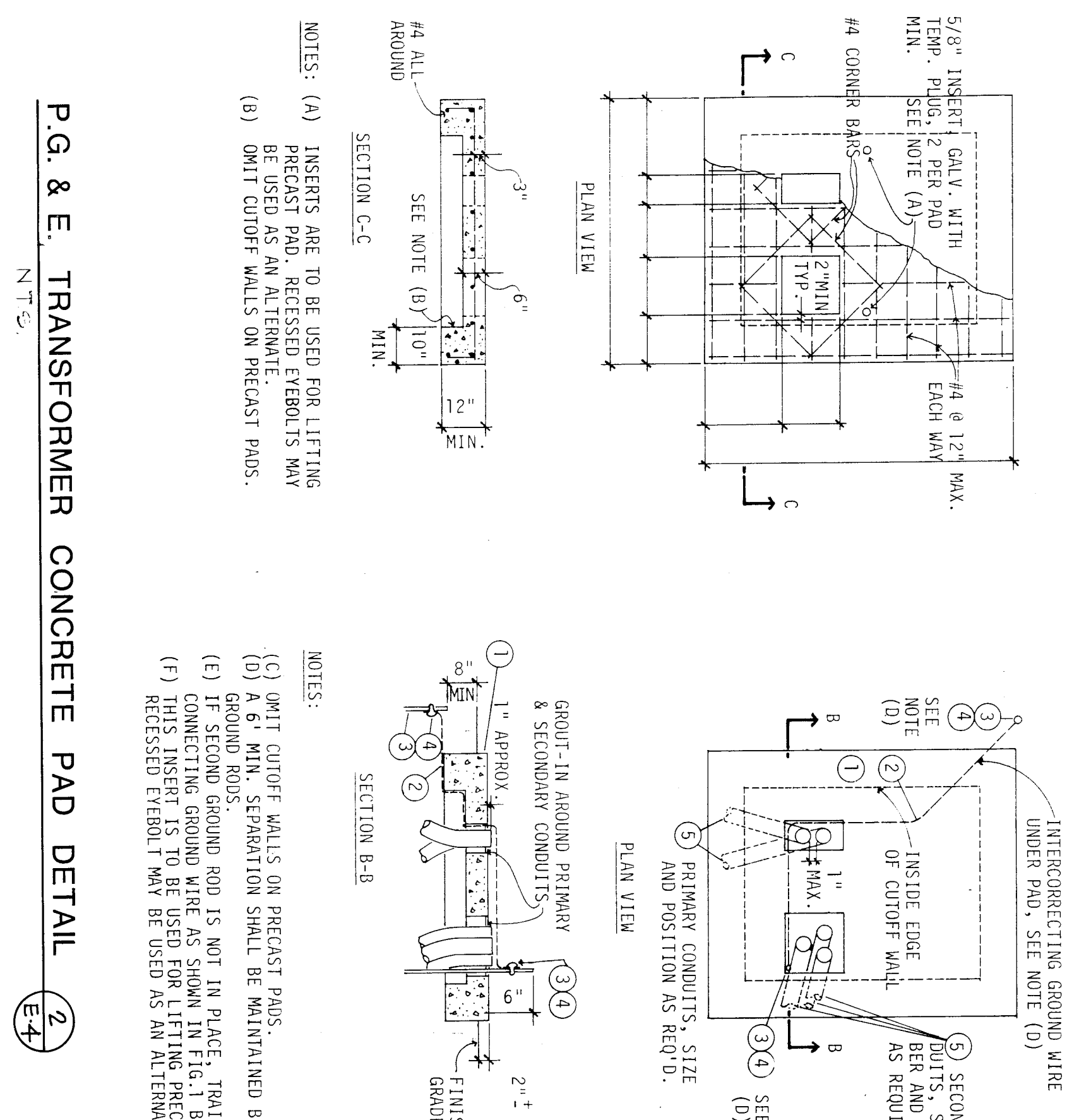


CLASSROOM LIGHTING CONTROL DIAGRAM
NTS

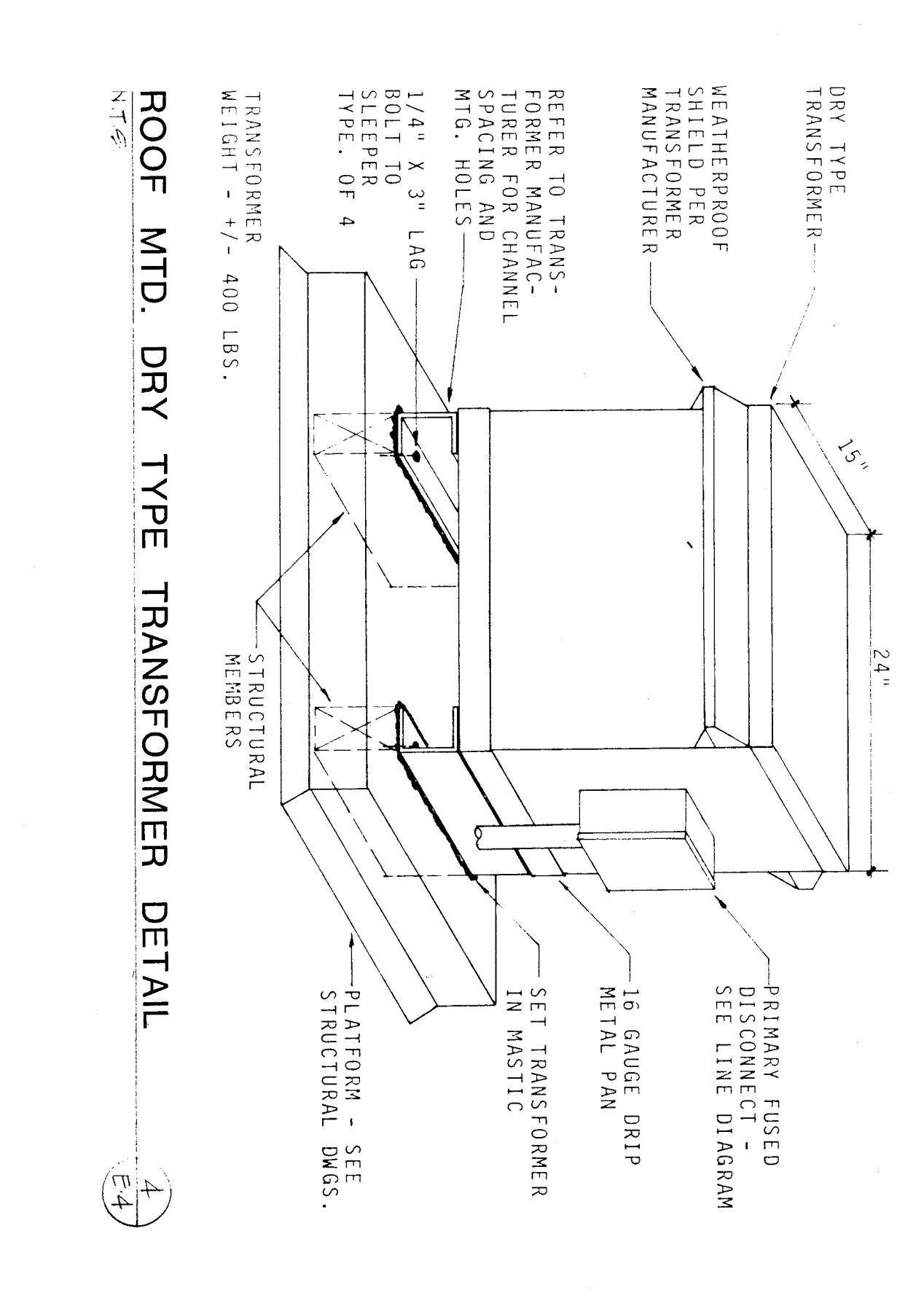
- REFERENCE NOTES (THIS SHEET ONLY):
- (1) REPLACE EXISTING WALL SWITCHES AND PLATE.
 - (2) CONNECT NEW FIXTURES TO EXISTING CIRCUITS.
- NOTES - CLASSROOM LIGHTING CONTROL:
1. ALL LAMPS TO BE STANDARD COOL WHITE.
 2. ALL BALLASTS TO BE ENERGY SAVINGS.
 3. ALL MOTION SENSORS TO BE FIELD ADJUSTED DURING THE DAY AND NIGHT.
 4. DIMMING SYSTEM TO INCLUDE A FIVE YEAR WARRANTY IN WRITING BY THE MANUFACTURER.
 5. LIGHT SENSORS TO BE ADJUSTED DURING THE DAY.
 6. PRIOR TO INSTALLATION OF LIGHTING CONTROLS, A FACTORY REPRESENTATIVE IS REQUIRED TO REVIEW, AT THE SITE, ALL WIRING AND INSTALLATION REQUIREMENTS.
 7. A FACTORY REPRESENTATIVE FOR THE DIMMING, SENSING AND LIGHT LEVEL CONTROL SHALL INSPECT AND SIGN OFF ON ALL WORK. ALL PROJECT ACCEPTANCE AND SHALL, IN WRITING, CERTIFY THAT SYSTEM IS PROPERLY INSTALLED, CALIBRATED AND OPERATING PER THE MANUFACTURER'S REQUIREMENTS. THIS CERTIFICATION TO BE DONE IN THE PRESENCE OF THE PROJECT INSPECTOR.



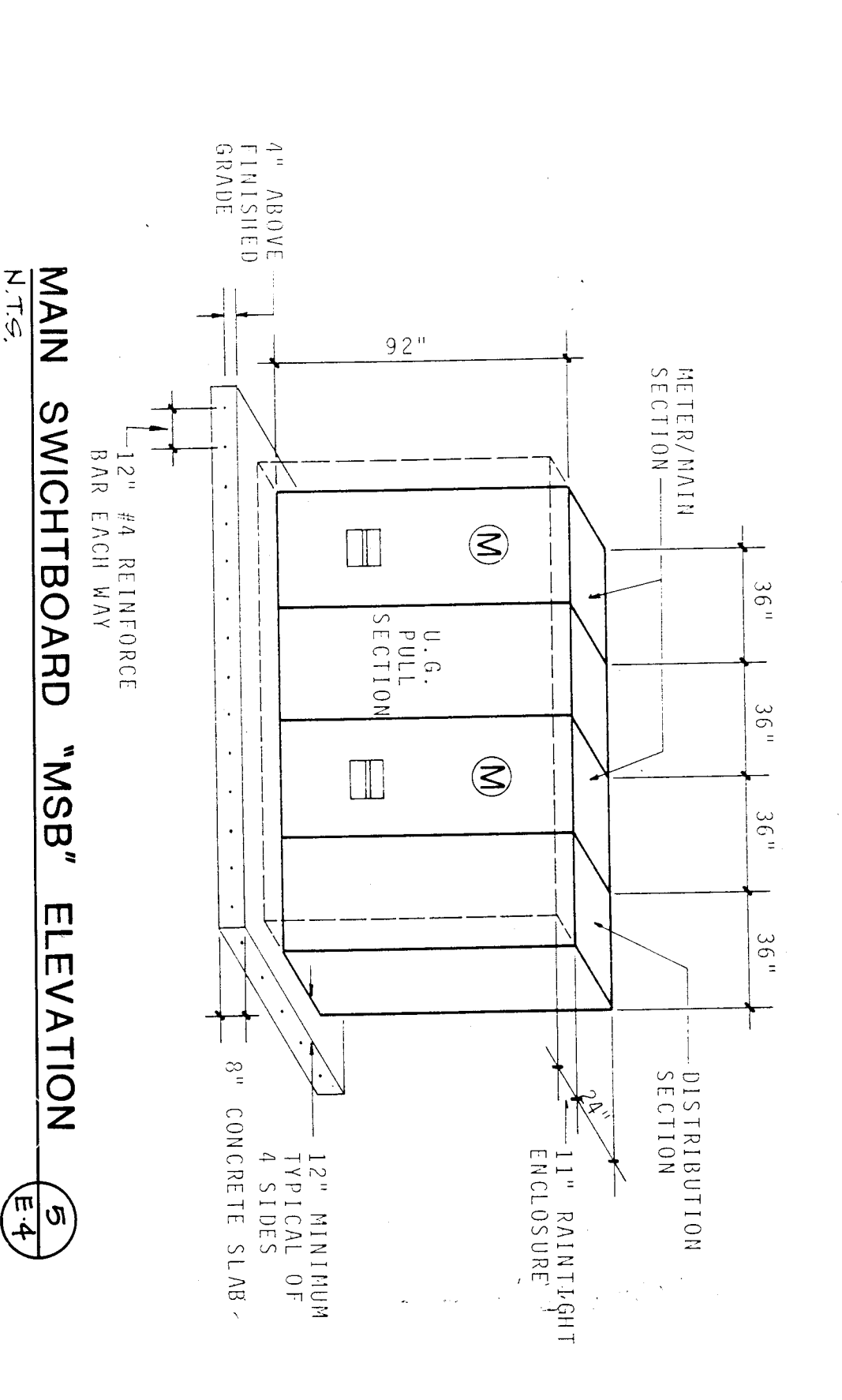
PULL BOX DETAIL
NTS



P.G. & E. TRANSFORMER CONCRETE PAD DETAIL
NTS



ROOF MTD. DRY TYPE TRANSFORMER DETAIL
NTS



MAIN SWITCHBOARD "MSB" ELEVATION
NTS



architects - planners

30333
C. 3289
C. 6564
C. 8021
C. 8702

INTERSTATE ENGINEERING, INC.

C. 3132
C. 3289
C. 6564
C. 8021
C. 8702

DP. *Decker*

bfgc inc.
30333
31. South Road, Suite 30333
Bakersfield, California 93309
805.832.8122

APPLICATION NO. 77/50602
LIGHTING FLOOR PLANS Bldgs 700/800 & DETAILS
MT. VERNON MODERNIZATION
BAKERSFIELD CITY SCHOOL DISTRICT
2151 POTOMAC AVENUE
BAKERSFIELD, CALIFORNIA 93307

DATE
1 FEB. 1989

PH. 87-126