

THESE DRAWINGS AND ALL MATERIAL CONTAINED HEREIN ARE THE PROPERTY OF SILVERCREEK INDUSTRIES, INC. (SICI) AND SHALL NOT BE REPRODUCED, COPIED OR OTHERWISE DISSEMINATED DIRECTLY OR INDIRECTLY AND SHALL NOT BE USED IN WHOLE OR IN PART TO ASSIST IN THE MAKING OF OR FOR THE PURPOSE OF FURNISHING ANY INFORMATION FOR THE MAKING OF DRAWINGS, PRINTS, APPROPRIATE OR PARTS THEREOF WITHOUT THE FULL KNOWLEDGE AND WRITTEN CONSENT OF SICI INC. ALL PATENTABLE MATERIAL CONTAINED HEREIN AND ORIGINATING WITH SICI SHALL BE THE PROPERTY OF SICI INC.

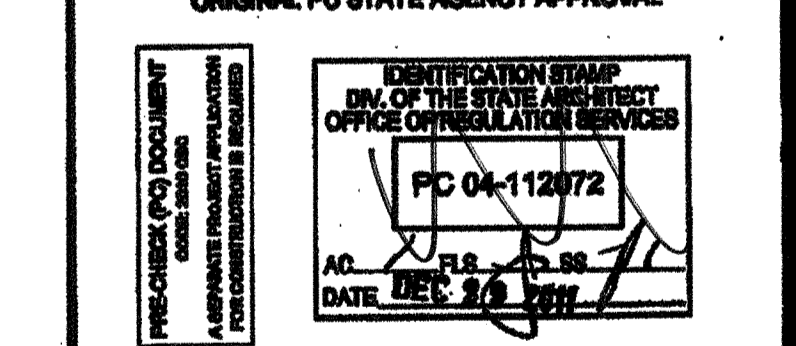
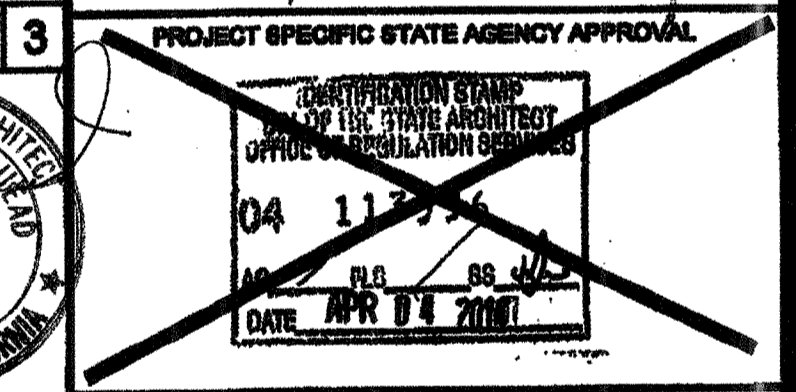
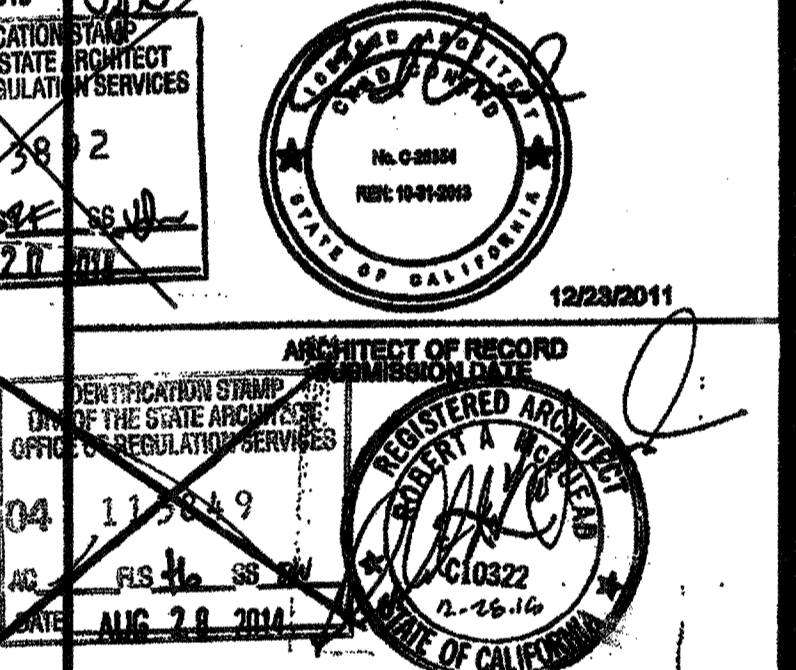
SILVER CREEK INDUSTRIES, INC.



195 EAST MORGAN PERMITS, CALIFORNIA 92571
PHONE: 951-943-8398 FAX: 951-943-3211

PROJECT NAME:
CLASS LEASING CLASSROOM BLDG'S

SHEET TITLE:
WALL FRAMING DETAILS WOOD STUDS

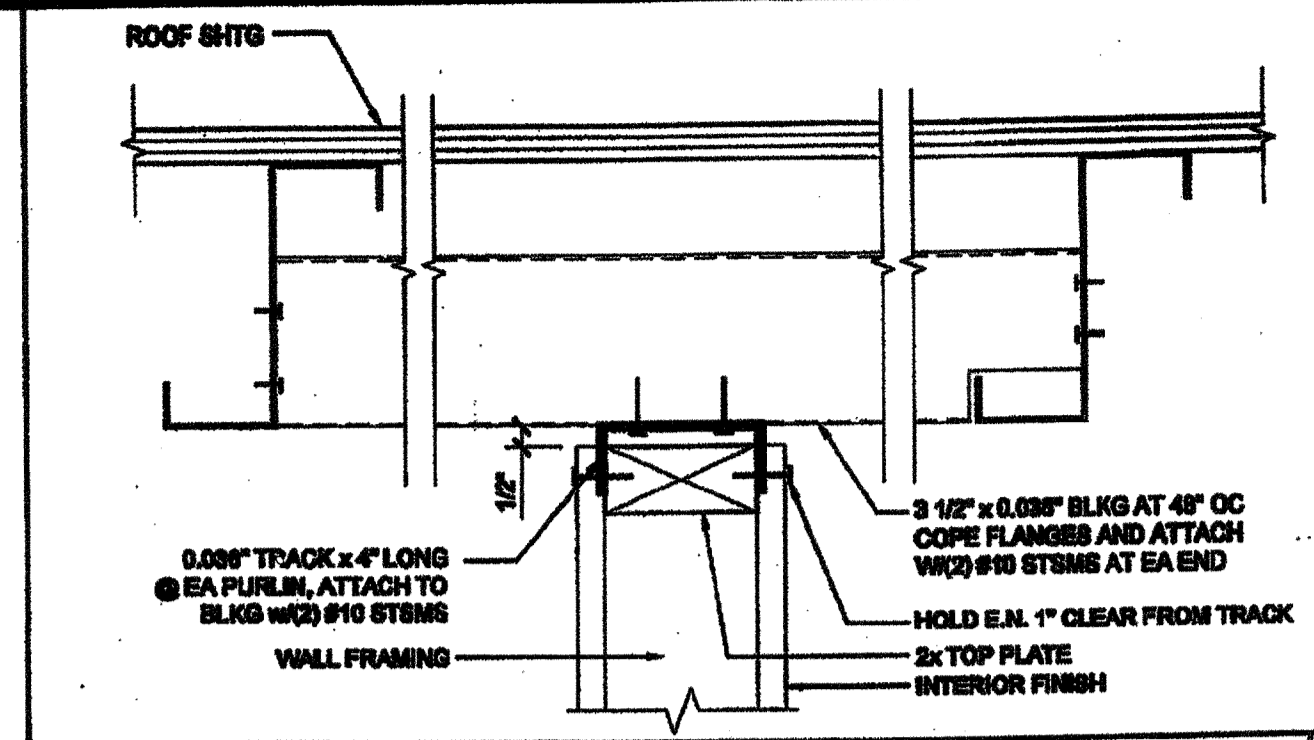


REVISIONS

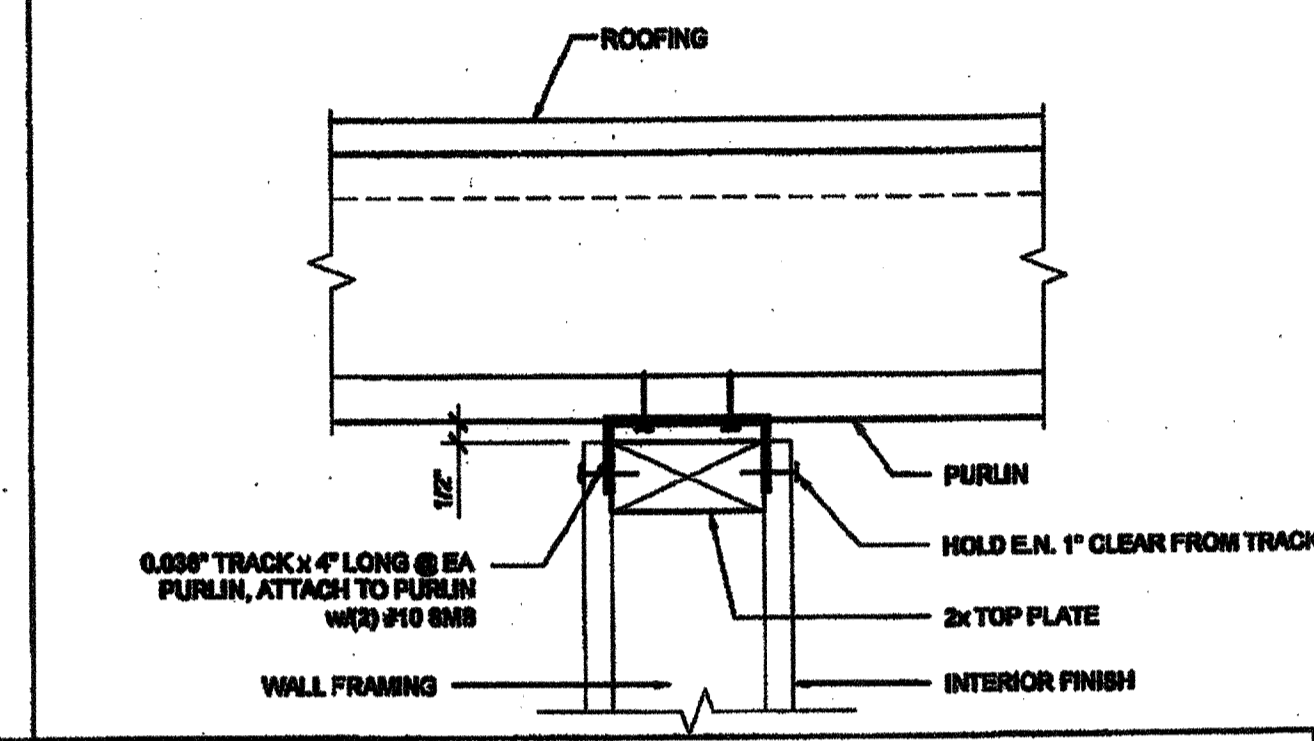
SILVER CREEK INDUSTRIES
24' x 40' PC

PROJECT NO:
SCALE: AS NOTED
DATE: 12-23-11

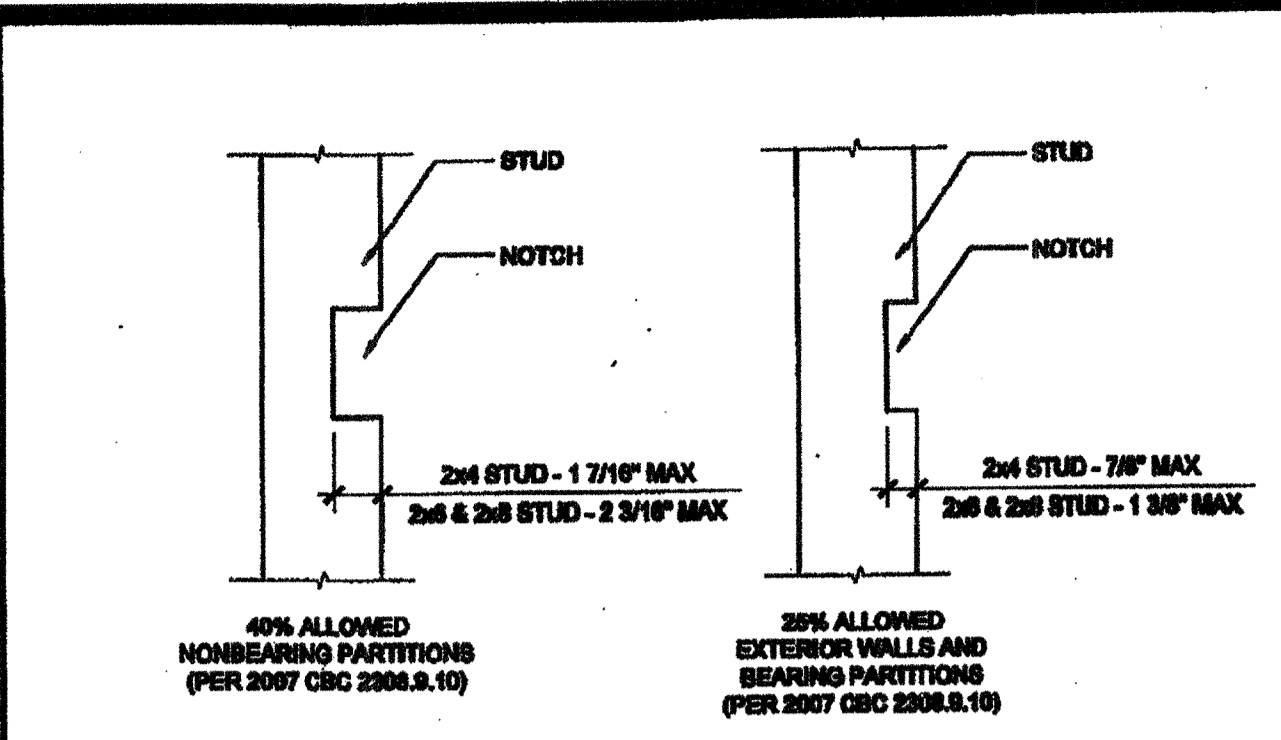
P.C. SHEET NUMBER
S-5.11
STKP 140



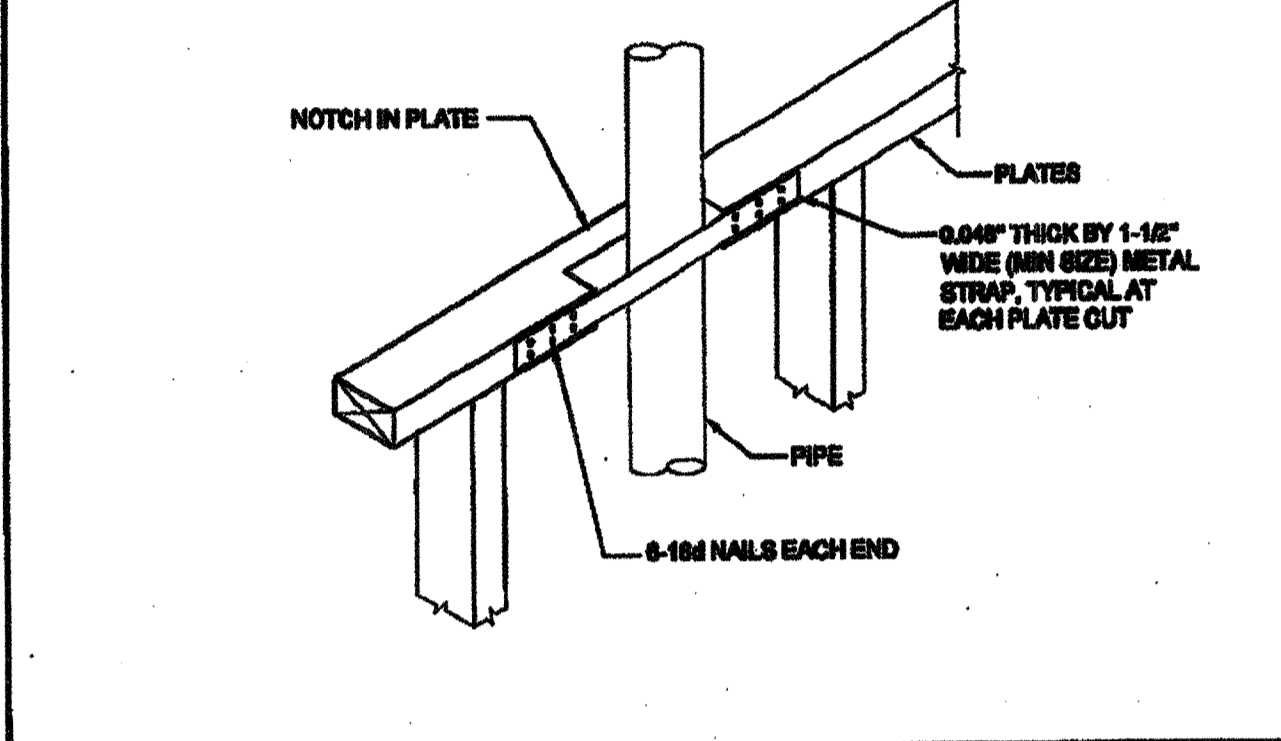
FULL HEIGHT INTERIOR PARTITION SCALE: 3\"/>



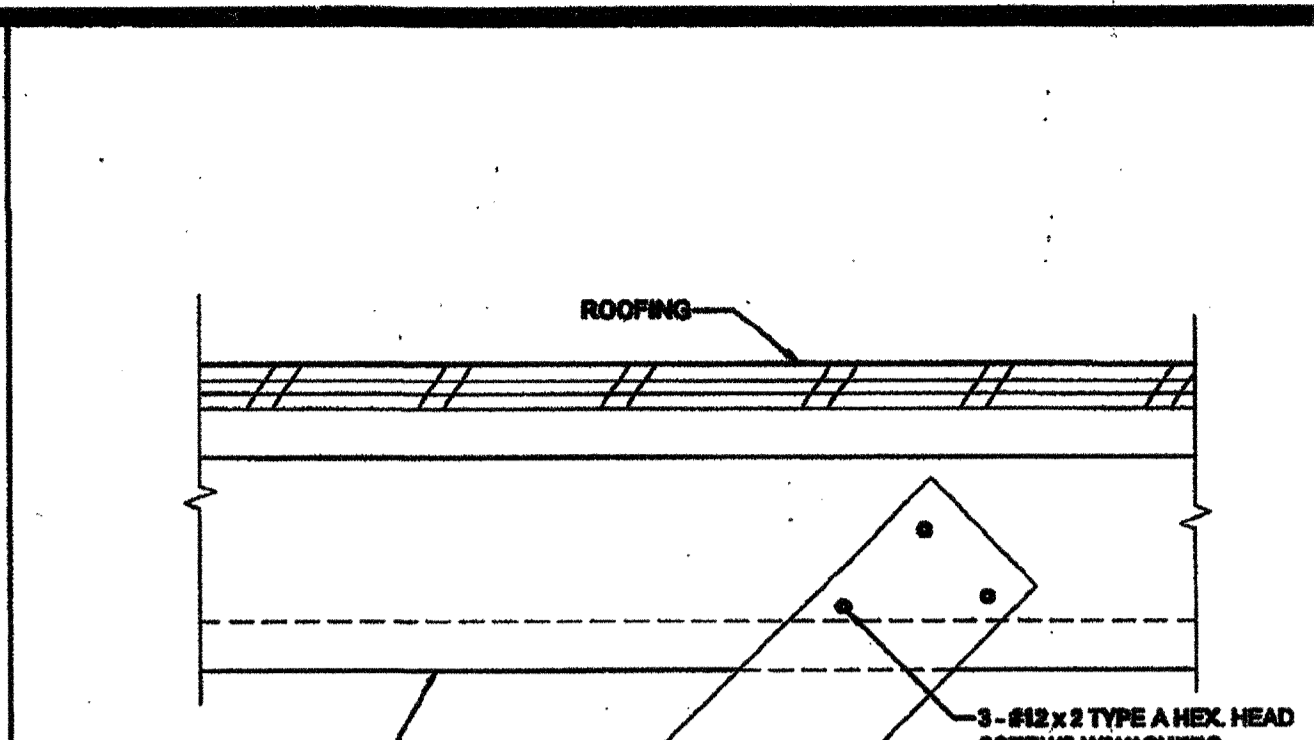
FULL HEIGHT INTERIOR PARTITION SCALE: 3\"/>



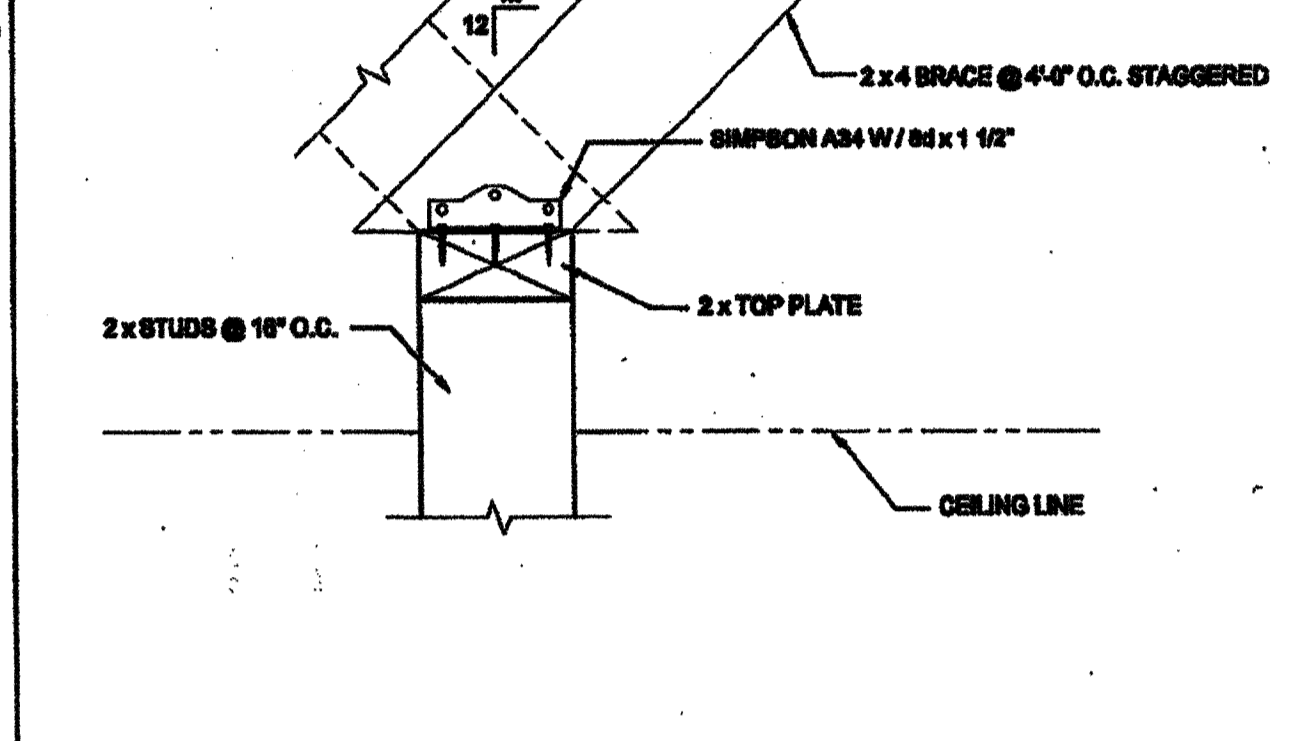
CUTTING AND NOTCHING SCALE: 1 1/2\"/>



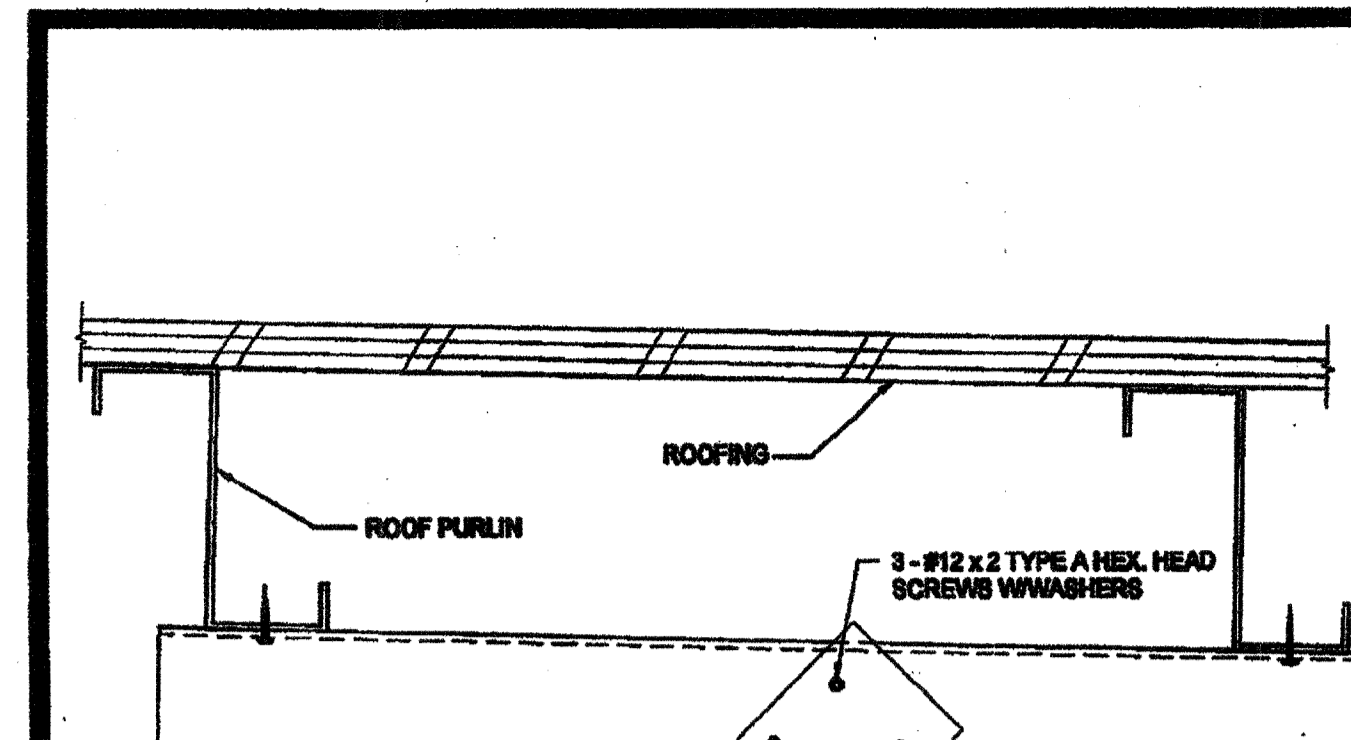
BORED HOLES SCALE: 1 1/2\"/>



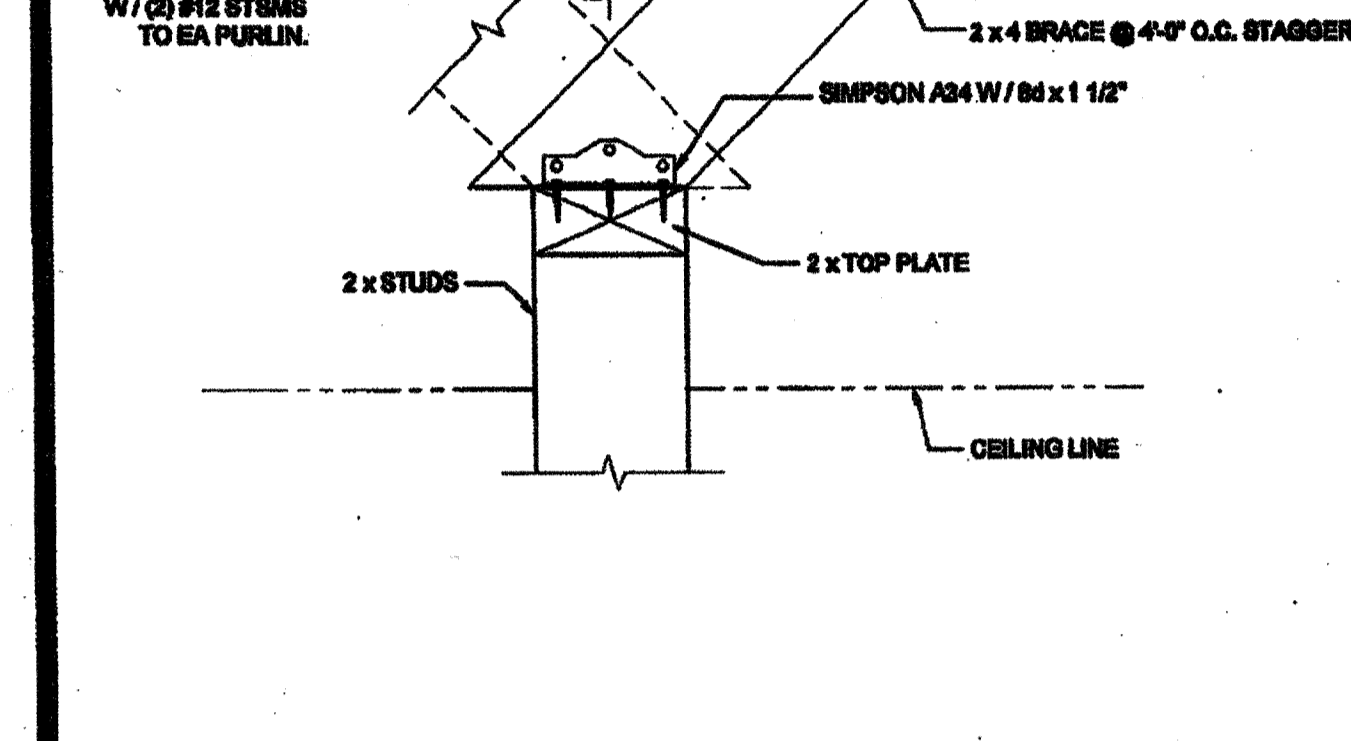
INTERIOR PARTITION SCALE: 3\"/>



INTERIOR PARTITION SCALE: 3\"/>



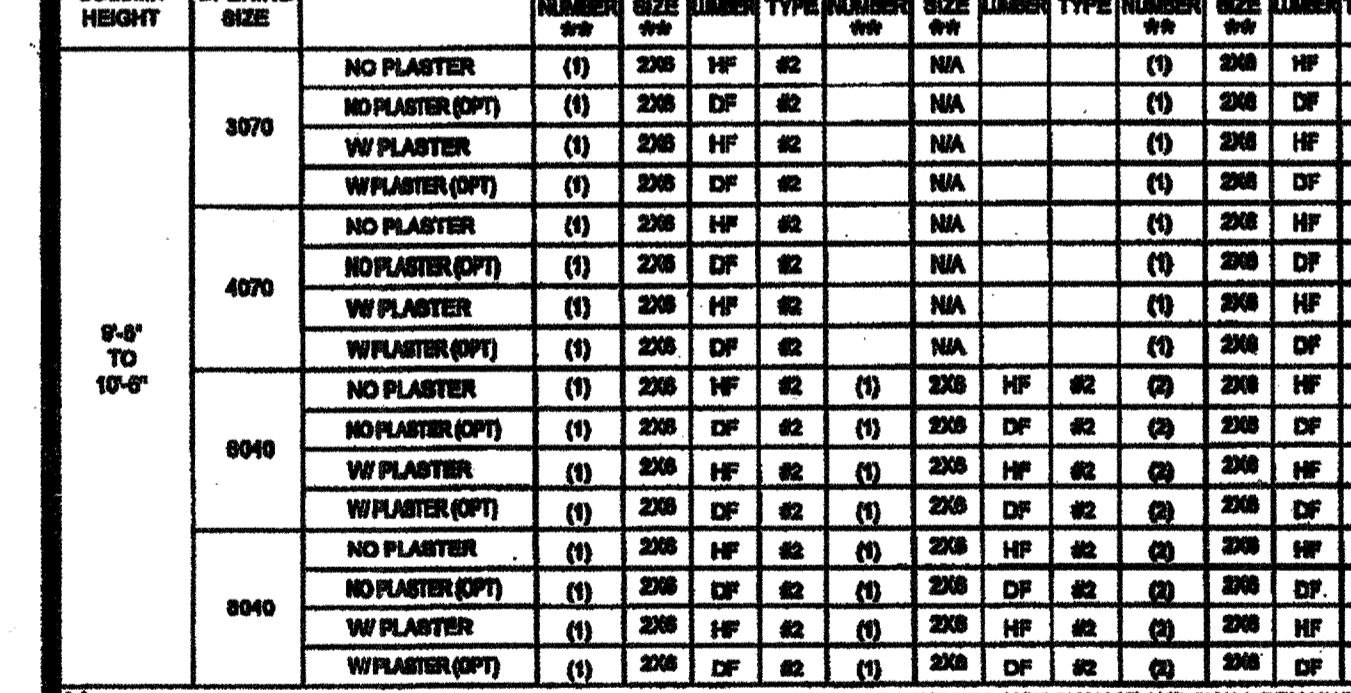
INTERIOR PARTITION SCALE: 3\"/>



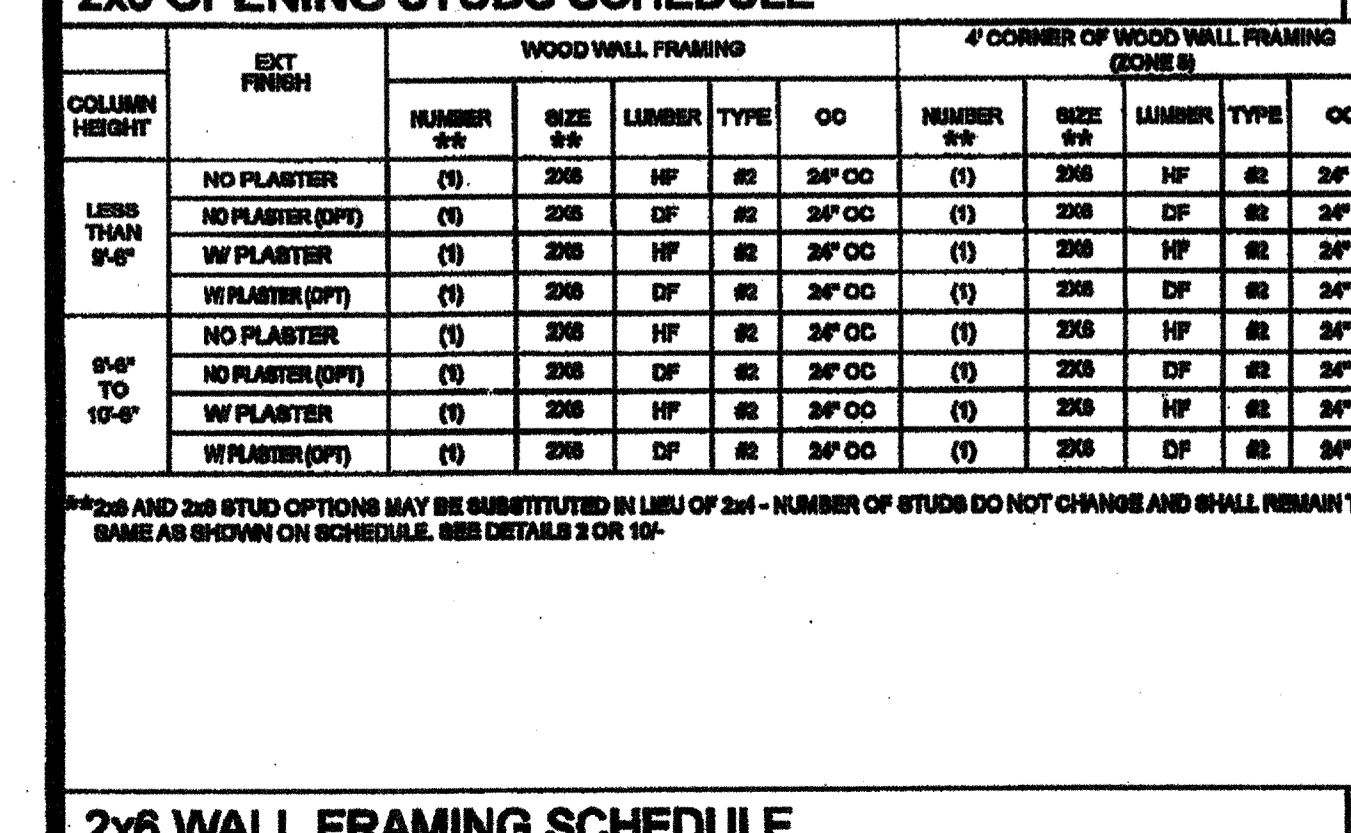
INTERIOR PARTITION SCALE: 3\"/>

COLUMN HEIGHT	OPENING SIZE	EXT. FINISH	HEADER				BILL				FULL HEIGHT KING STUD							
			NUMBER	SIZE	LUMBER	TYPE	NUMBER	SIZE	LUMBER	TYPE	NUMBER	SIZE	LUMBER	TYPE				
LESS THAN 6'-0"	3070	NO PLASTER	(1)	2x4	HF	#2	N/A	N/A	(1)	2x4	HF	#2	N/A	N/A	(1)	2x4	DF	#2
		NO PLASTER (OPT)	(1)	2x4	DF	#2	N/A	N/A	(1)	2x4	DF	#2	N/A	N/A	(1)	2x4	HF	#2
		W/ PLASTER	(1)	2x4	HF	#2	N/A	N/A	(1)	2x4	DF	#2	N/A	N/A	(1)	2x4	HF	#2
		W/ PLASTER (OPT)	(1)	2x4	DF	#2	N/A	N/A	(1)	2x4	DF	#2	N/A	N/A	(1)	2x4	DF	#2
4070	3070	NO PLASTER	(1)	2x4	HF	#2	N/A	N/A	(1)	2x4	HF	#2	N/A	N/A	(1)	2x4	DF	#2
		NO PLASTER (OPT)	(1)	2x4	DF	#2	N/A	N/A	(1)	2x4	DF	#2	N/A	N/A	(1)	2x4	HF	#2
		W/ PLASTER	(1)	2x4	HF	#2	N/A	N/A	(1)	2x4	DF	#2	N/A	N/A	(1)	2x4	HF	#2
		W/ PLASTER (OPT)	(1)	2x4	DF	#2	N/A	N/A	(1)	2x4	DF	#2	N/A	N/A	(1)	2x4	DF	#2
6040	3070	NO PLASTER	(1)	2x4	HF	#2	(1)	2x4	HF	#2	(1)	2x4	HF	#2	(1)	2x4	DF	#2
		NO PLASTER (OPT)	(1)	2x4	DF	#2	(1)	2x4	DF	#2	(1)	2x4	DF	#2	(1)	2x4	HF	#2
		W/ PLASTER	(1)	2x4	HF	#2	(1)	2x4	DF	#2	(1)	2x4	HF	#2	(1)	2x4	DF	#2
		W/ PLASTER (OPT)	(1)	2x4	DF	#2	(1)	2x4	DF	#2	(1)	2x4	DF	#2	(1)	2x4	HF	#2
6040	4070	NO PLASTER	(1)	2x4	HF	#2	(1)	2x4	HF	#2	(1)	2x4	HF	#2	(1)	2x4	DF	#2
		NO PLASTER (OPT)	(1)	2x4	DF	#2	(1)	2x4	DF	#2	(1)	2x4	DF	#2	(1)	2x4	HF	#2
		W/ PLASTER	(1)	2x4	HF	#2	(1)	2x4	DF	#2	(1)	2x4	HF	#2	(1)	2x4	DF	#2
		W/ PLASTER (OPT)	(1)	2x4	DF	#2	(1)	2x4	DF	#2	(1)	2x4	DF	#2	(1)	2x4	HF	#2
6040	6040	NO PLASTER	(1)	2x4	HF	#2	(1)	2x4	HF	#2	(1)	2x4	HF	#2	(1)	2x4	DF	#2
		NO PLASTER (OPT)	(1)	2x4	DF	#2	(1)	2x4	DF	#2	(1)	2x4	DF	#2	(1)	2x4	HF	#2
		W/ PLASTER	(1)	2x4	HF	#2	(1)	2x4	DF	#2	(1)	2x4	HF	#2	(1)	2x4	DF	#2
		W/ PLASTER (OPT)	(1)	2x4	DF	#2	(1)	2x4	DF	#2	(1)	2x4	DF	#2	(1)	2x4	HF	#2

INTERIOR PARTITION WALL TO ROOF BEAM SCALE: 3\"/>

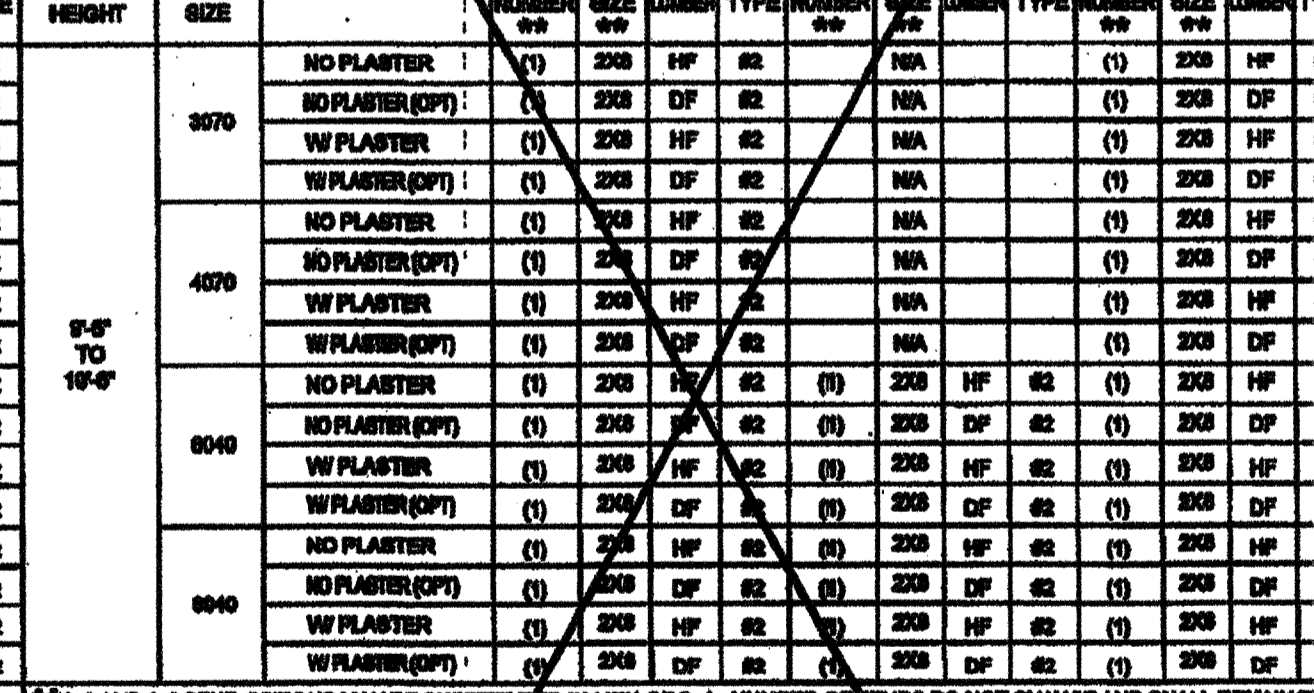


INTERIOR PARTITION WALL TO ROOF TRUSS SCALE: 3\"/>

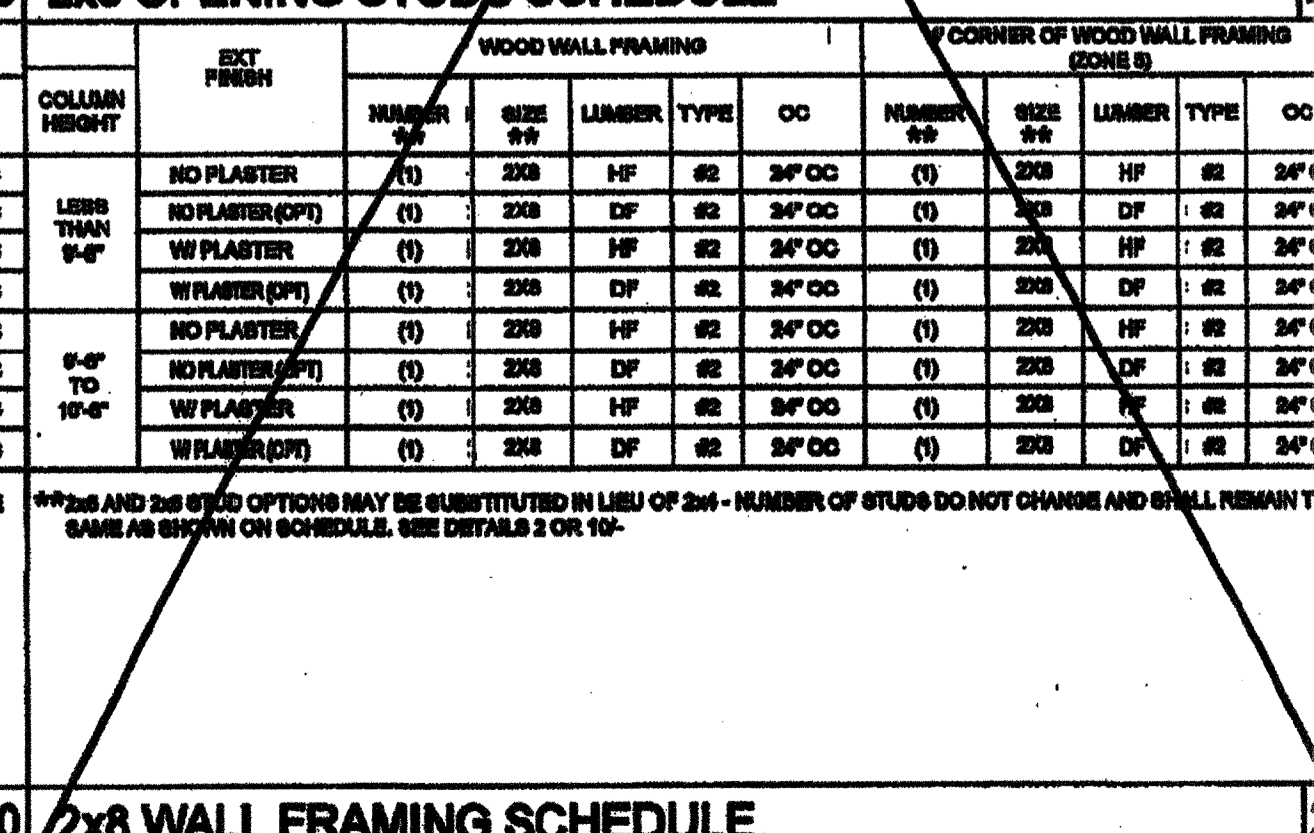


COLUMN HEIGHT	OPENING SIZE	EXT. FINISH	HEADER				BILL				FULL HEIGHT KING STUD							
			NUMBER	SIZE	LUMBER	TYPE	NUMBER	SIZE	LUMBER	TYPE	NUMBER	SIZE	LUMBER	TYPE				
LESS THAN 6'-0"	3070	NO PLASTER	(1)	2x4	HF	#2	N/A	N/A	(1)	2x4	HF	#2	N/A	N/A	(1)	2x4	DF	#2
		NO PLASTER (OPT)	(1)	2x4	DF	#2	N/A	N/A	(1)	2x4	DF	#2	N/A	N/A	(1)	2x4	HF	#2
		W/ PLASTER	(1)	2x4	HF	#2	N/A	N/A	(1)	2x4	DF	#2	N/A	N/A	(1)	2x4	HF	#2
		W/ PLASTER (OPT)	(1)	2x4	DF	#2	N/A	N/A	(1)	2x4	DF	#2	N/A	N/A	(1)	2x4	DF	#2
4070	3070	NO PLASTER	(1)	2x4	HF	#2	N/A	N/A	(1)	2x4	HF	#2	N/A	N/A	(1)	2x4	DF	#2
		NO PLASTER (OPT)	(1)	2x4	DF	#2	N/A	N/A	(1)	2x4	DF	#2	N/A	N/A	(1)	2x4	HF	#2
		W/ PLASTER	(1)	2x4	HF	#2	N/A	N/A	(1)	2x4	DF	#2	N/A	N/A	(1)	2x4	HF	#2
		W/ PLASTER (OPT)	(1)	2x4	DF	#2	N/A	N/A	(1)	2x4	DF	#2	N/A	N/A	(1)	2x4	DF	#2
6040	3070	NO PLASTER	(1)	2x4	HF	#2	(1)	2x4	HF	#2	(1)	2x4	HF	#2	(1)	2x4	DF	#2
		NO PLASTER (OPT)	(1)	2x4	DF	#2	(1)	2x4	DF	#2	(1)	2x4	DF	#2	(1)	2x4	HF	#2
		W/ PLASTER	(1)	2x4	HF	#2	(1)	2x4	DF	#2	(1)	2x4	HF	#2	(1)	2x4	DF	#2
		W/ PLASTER (OPT)	(1)	2x4	DF	#2	(1)	2x4	DF	#2	(1)	2x4	DF	#2	(1)	2x4	HF	#2
6040	4070	NO PLASTER	(1)	2x4	HF	#2	(1)	2x4	HF	#2	(1)	2x4	HF	#2	(1)	2x4	DF	#2
		NO PLASTER (OPT)	(1)	2x4	DF	#2	(1)	2x4	DF	#2	(1)	2x4	DF	#2	(1)	2x4	HF	#2
		W/ PLASTER	(1)	2x4	HF	#2	(1)	2x4	DF	#2	(1)	2x4	HF	#2	(1)	2x4	DF	#2
		W/ PLASTER (OPT)	(1)	2x4	DF	#2	(1)	2x4	DF	#2	(1)	2x4	DF	#2	(1)	2x4	HF	#2
6040	6040	NO PLASTER	(1)	2x4	HF	#2	(1)	2x4	HF	#2	(1)	2x4	HF	#2	(1)	2x4	DF	#2
		NO PLASTER (OPT)	(1)	2x4	DF	#2	(1)	2x4	DF	#2	(1)	2x4	DF	#2	(1)	2x4	HF	#2
		W/ PLASTER	(1)	2x4	HF	#2	(1)	2x4	DF	#2	(1)	2x4	HF	#2	(1)	2x4	DF	#2
		W/ PLASTER (OPT)	(1)	2x4	DF	#2	(1)	2x4	DF	#2	(1)	2x4	DF	#2	(1)	2x4	HF	#2

INTERIOR PARTITION WALL TO ROOF BEAM SCALE: 3\"/>



INTERIOR PARTITION WALL TO ROOF TRUSS SCALE: 3\"/>



2x6 OPENING STUDS SCHEDULE

COLUMN HEIGHT	OPENING SIZE	EXT. FINISH	WOOD WALL FRAMING					CORNER OF WOOD WALL FRAMING (ZONE B)				
			NUMBER	SIZE	LUMBER	TYPE	OC	NUMBER	SIZE	LUMBER	TYPE	OC
LESS THAN 6'-0"	3070	NO PLASTER	(1)	2x6	HF	#2	24\"/>					

2x6 OPENING STUDS SCHEDULE

COLUMN HEIGHT	OPENING SIZE	EXT. FINISH	WOOD WALL FRAMING					CORNER OF WOOD WALL FRAMING (ZONE B)				
			NUMBER	SIZE	LUMBER	TYPE	OC	NUMBER	SIZE	LUMBER	TYPE	OC
LESS THAN 6'-0"	3070	NO PLASTER	(1)	2x6	HF	#2	24\"/>					

2x6 WALL FRAMING SCHEDULE

COLUMN HEIGHT	OPENING SIZE	EXT. FINISH	WOOD WALL FRAMING					CORNER OF WOOD WALL FRAMING (ZONE B)				
			NUMBER	SIZE	LUMBER	TYPE	OC	NUMBER	SIZE	LUMBER	TYPE	OC
LESS THAN 6'-0"	3070	NO PLASTER	(1)	2x6	HF	#2	24\"/>					

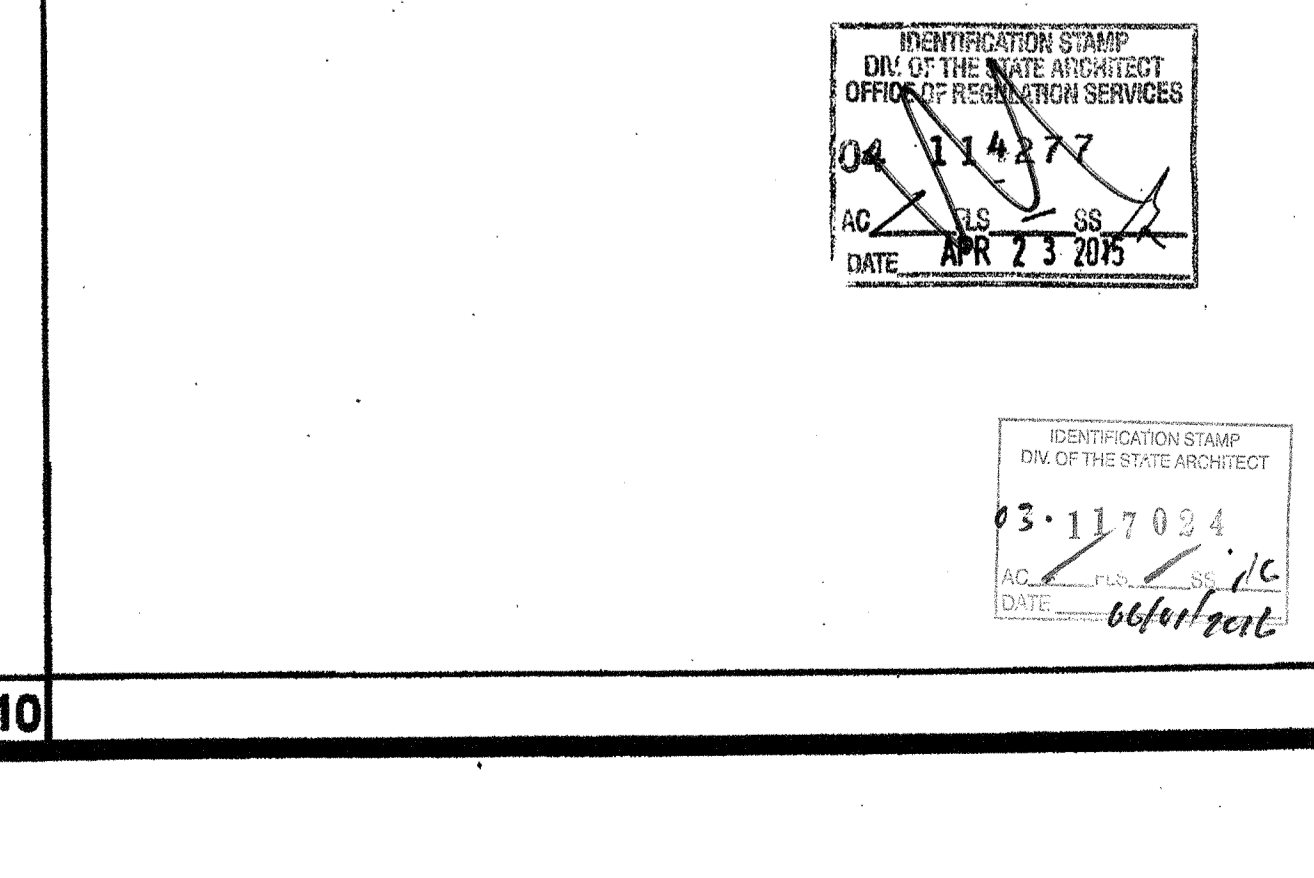
2x6 WALL FRAMING SCHEDULE

COLUMN HEIGHT	OPENING SIZE	EXT. FINISH	WOOD WALL FRAMING					CORNER OF WOOD WALL FRAMING (ZONE B)				
			NUMBER	SIZE	LUMBER	TYPE	OC	NUMBER	SIZE	LUMBER	TYPE	OC
LESS THAN 6'-0"	3070	NO PLASTER	(1)	2x6	HF	#2	24\"/>					

NOT USED

NOT USED

INTERIOR PARTITION WALL TO ROOF TRUSS SCALE: 3\"/>



NOT USED

NOT USED