

THESE DRAWINGS AND ALL MATERIAL CONTAINED HEREIN ARE THE PROPERTY OF SILVERCREEK INDUSTRIES, INC. (SCI) AND SHALL NOT BE REPRODUCED, COPIED OR OTHERWISE DISPOSED OF DIRECTLY OR INDIRECTLY AND SHALL NOT BE USED IN WHOLE OR IN PART TO ASSIST IN THE MAKING OF OR FOR THE PURPOSE OF FURNISHING ANY INFORMATION FOR THE MAKING OF DRAWINGS, PRINTS, APPARATUS OR PARTS THEREOF WITHOUT THE FULL KNOWLEDGE AND WRITTEN CONSENT OF SCI INC. ALL PATENTABLE MATERIAL CONTAINED HEREIN AND ORIGINATING WITH SCI INC SHALL BE THE PROPERTY OF SCI INC.

SILVER CREEK INDUSTRIES, INC.
 "BUILDING FOR THE NEXT GENERATION"
SILVER CREEK
 195 EAST MORGAN FERRIS, CALIFORNIA 92571
 PHONE: 951-949-9399 FAX: 951-949-2211

PROJECT NAME:
CLASS LEASING CLASSROOM BLDG'S
 SHEET TITLE:
RAMP DETAILS

STAVARES ARCHITECTURE
 2225 W. 17TH STREET
 ANAHEIM, CA 92806
 714-941-2888
 12/23/2011

ARCHITECT OF RECORD
 SUBMISSION DATE

PROJECT SPECIFIC STATE AGENCY APPROVAL

IDENTIFICATION STAMP
 DIV. OF THE STATE ARCHITECT
 OFFICE OF REGULATION SERVICES
 04 113892
 DATE: APR 04 2011

REGISTERED ARCHITECT
 STATE OF CALIFORNIA
 C10322
 DATE: AUG 28 2011

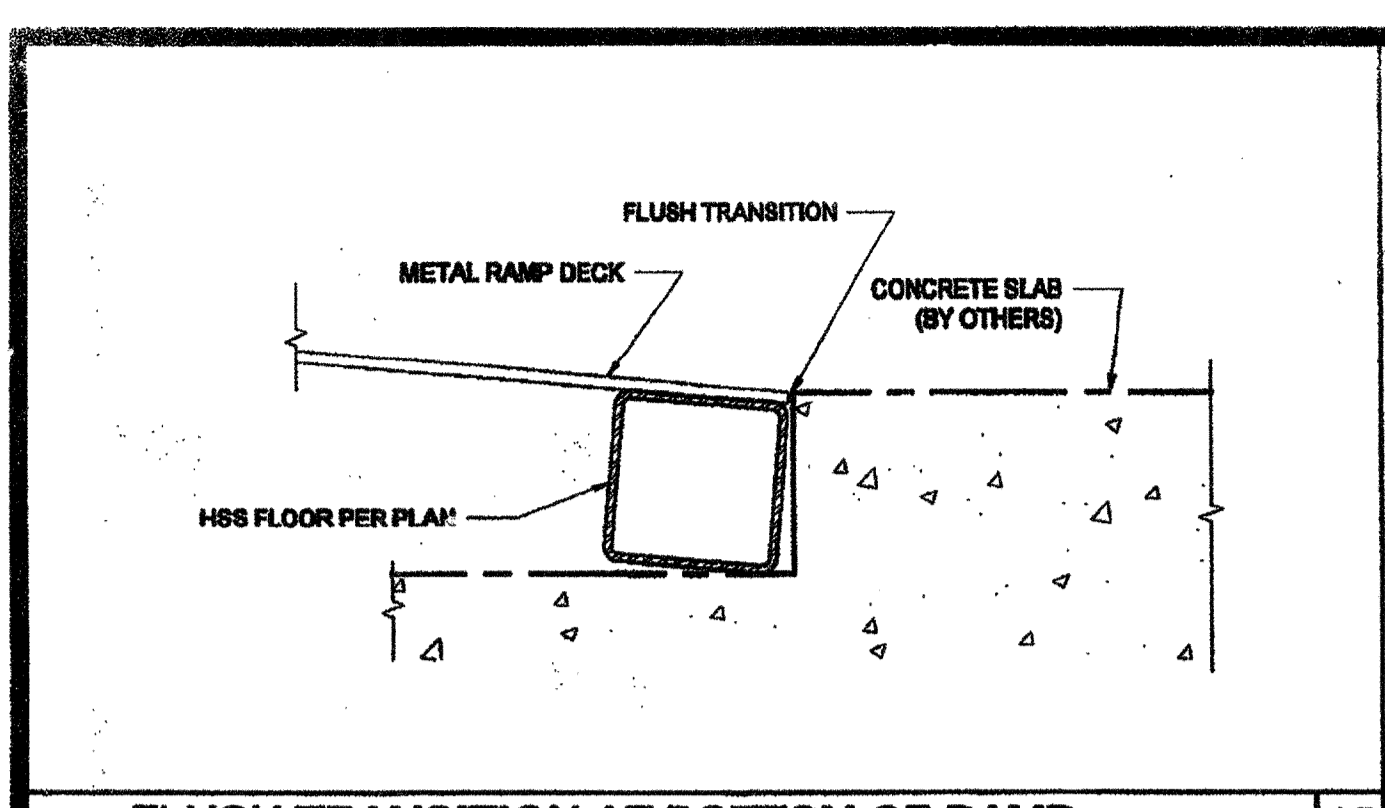
ORIGINAL PG STATE AGENCY APPROVAL

IDENTIFICATION STAMP
 DIV. OF THE STATE ARCHITECT
 OFFICE OF REGULATION SERVICES
 PC-04-112072
 DATE: DEC 29 2011

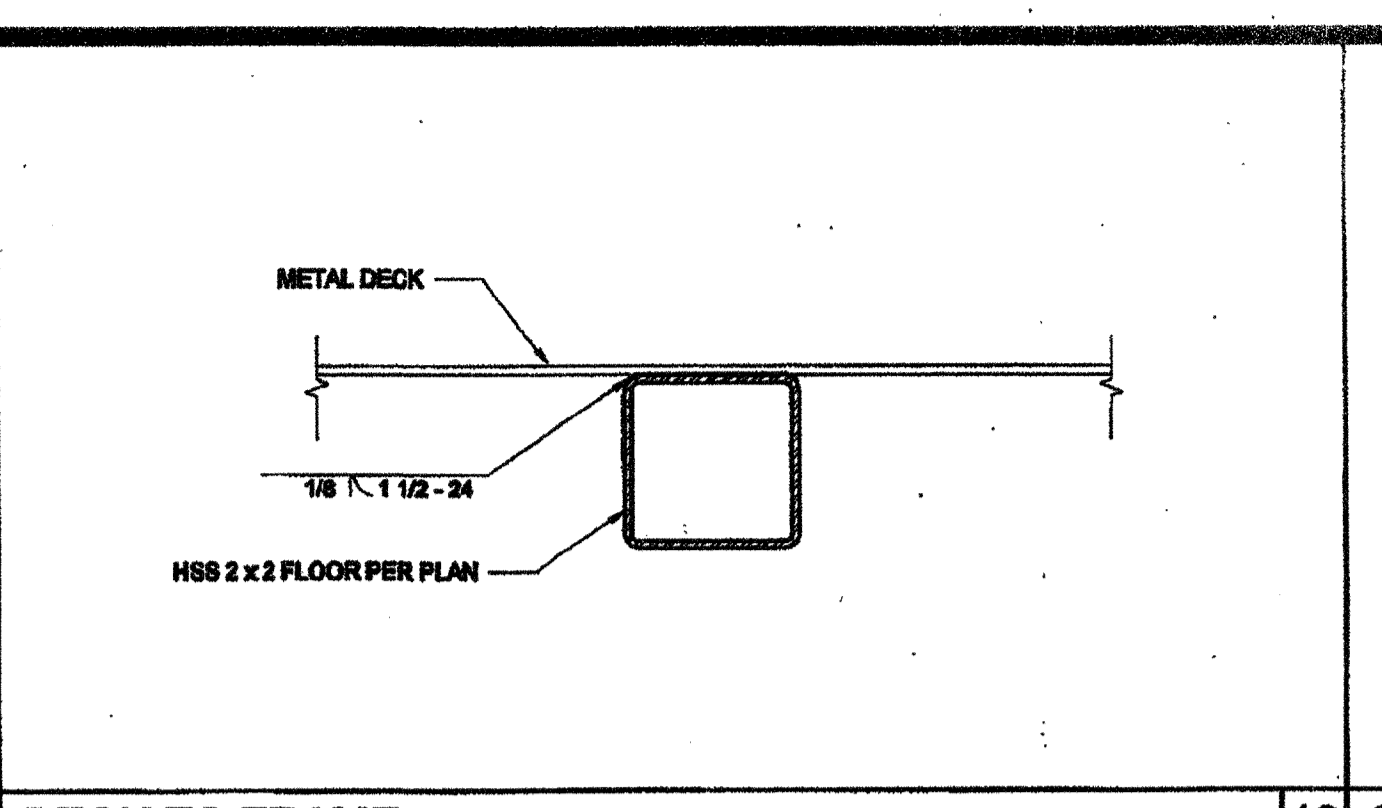
REVISIONS

SILVER CREEK INDUSTRIES
 37 x 40 PG

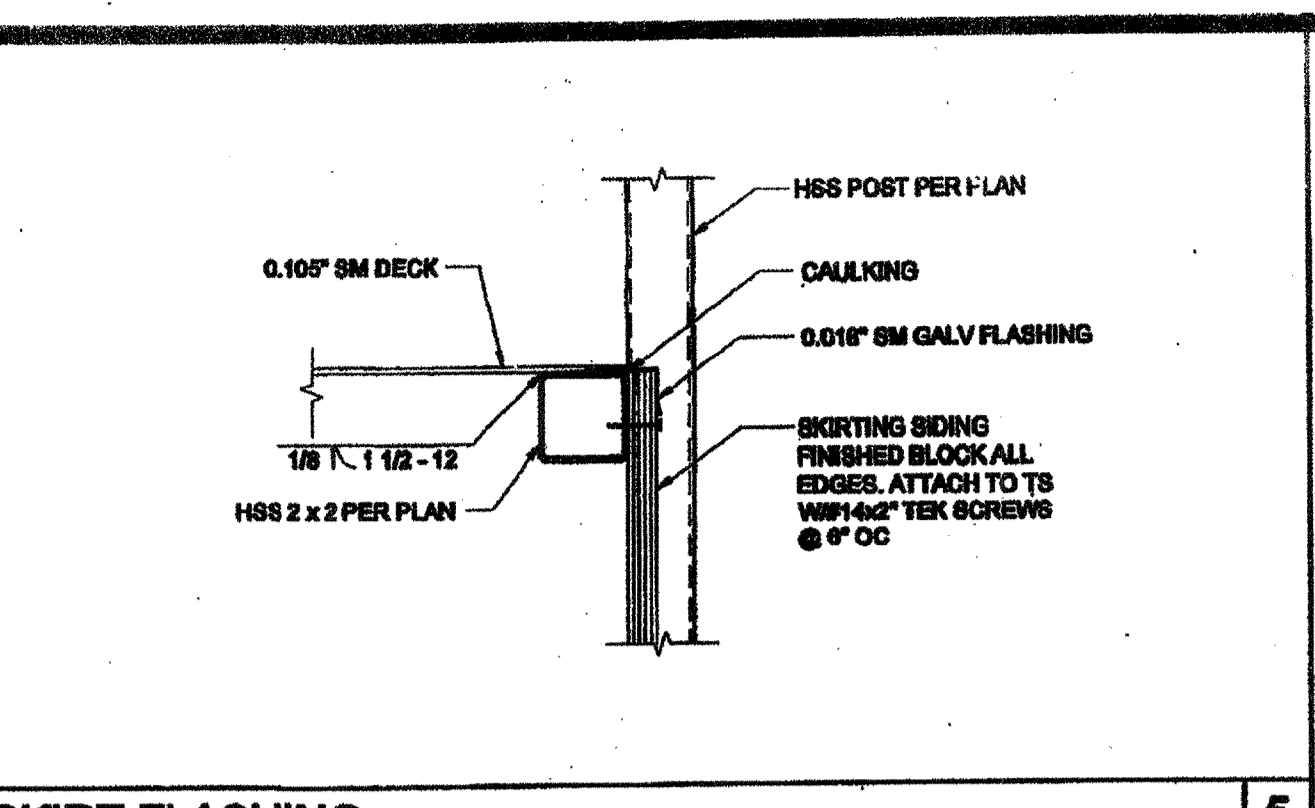
PROJECT NO:
 DRAWN BY:
 SCALE: AS NOTED
 DATE: 12-29-11
 P.C. SHEET NUMBER
R-2.01
 STKP 140



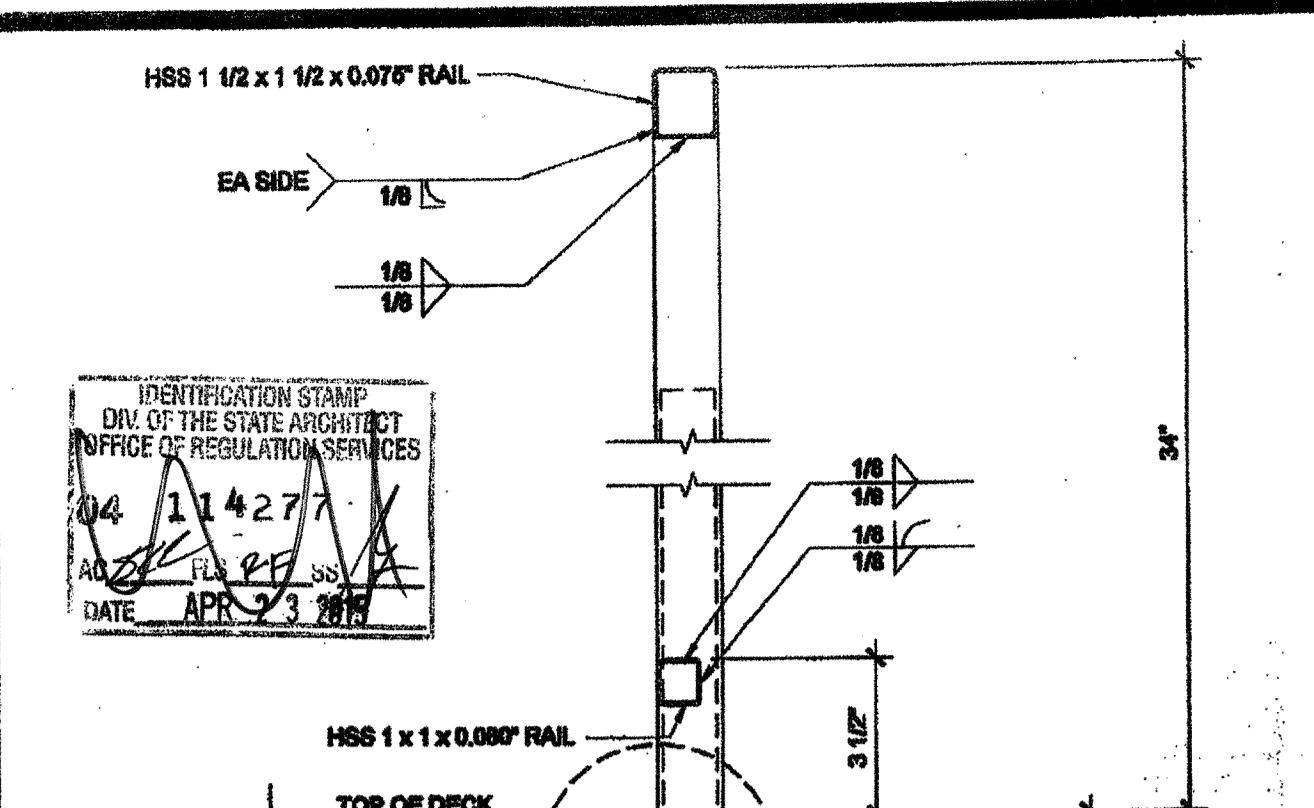
FLUSH TRANSITION AT BOTTOM OF RAMP SCALE: 6" = 1'-0" 15



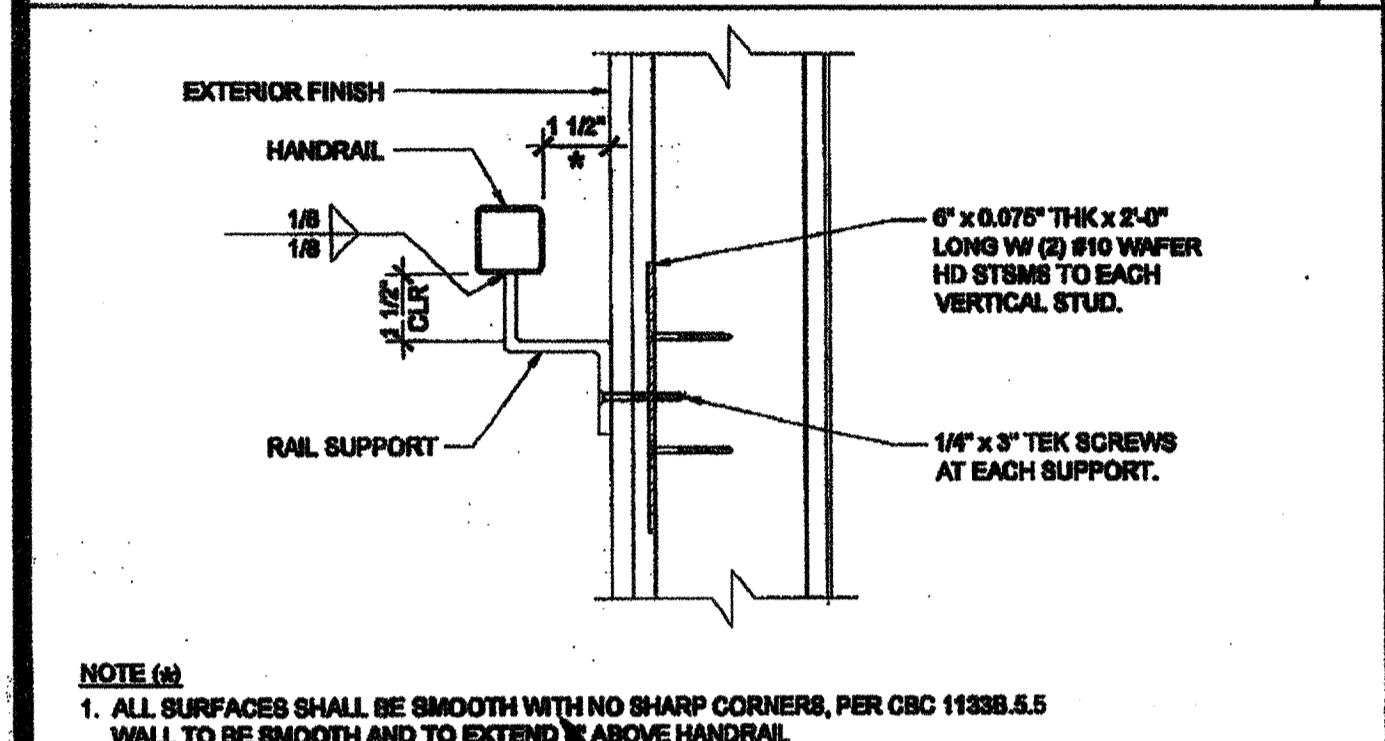
DECK TO FRAME SCALE: 6" = 1'-0" 10



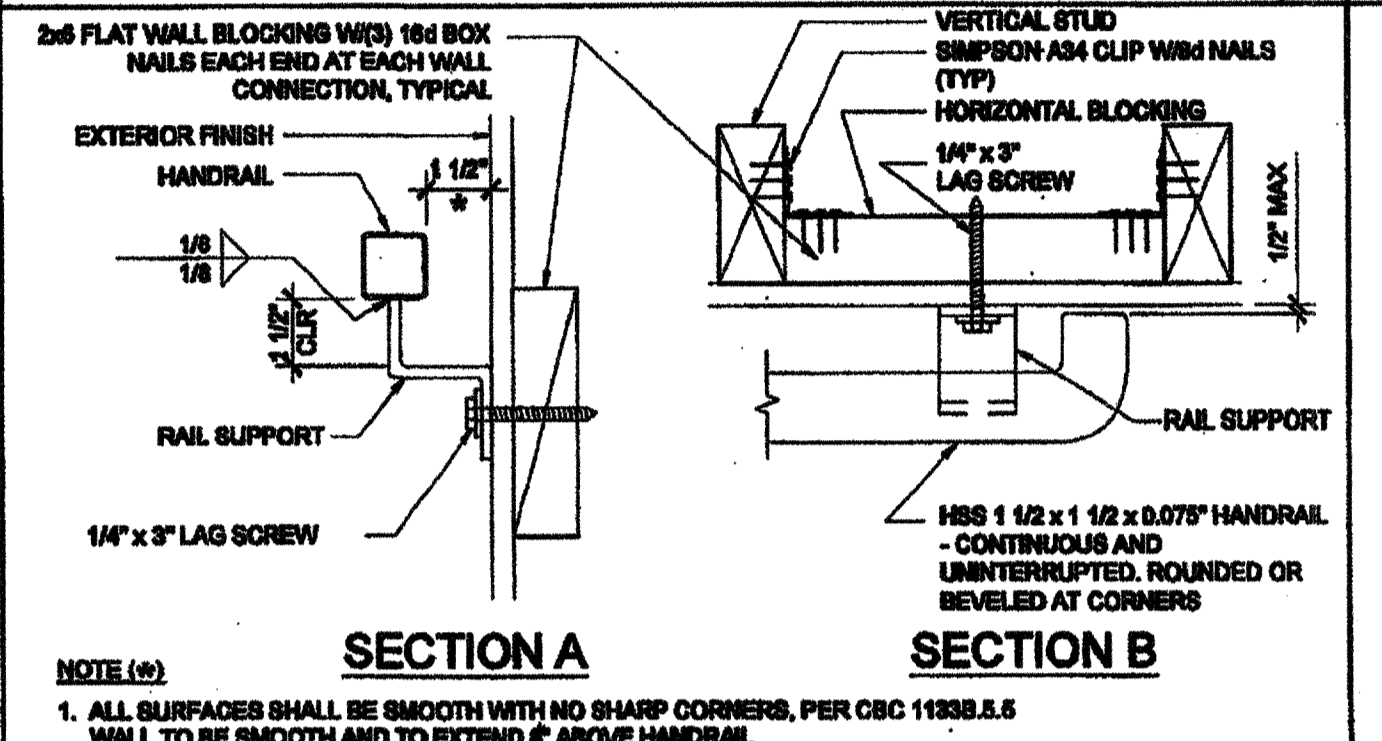
SKIRT FLASHING SCALE: 3" = 1'-0" 5



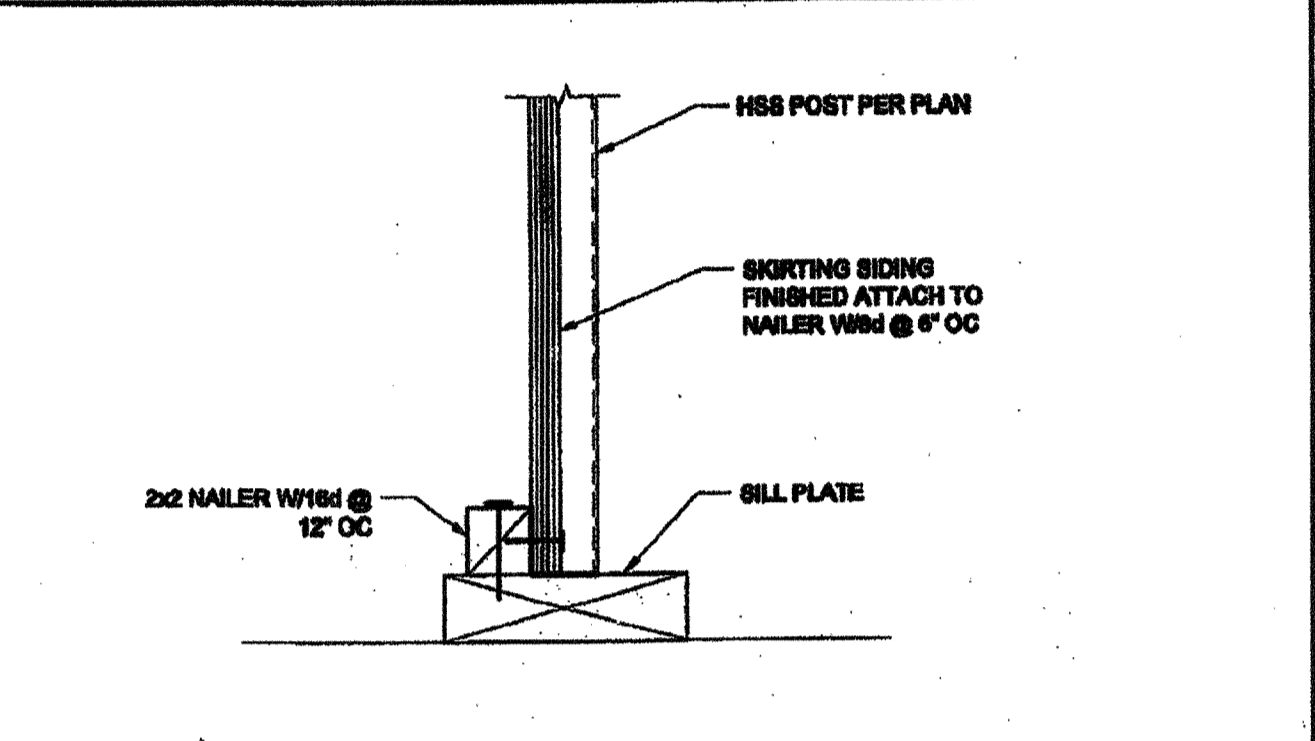
ADJUSTABLE LEG SCALE: 3" = 1'-0" 1



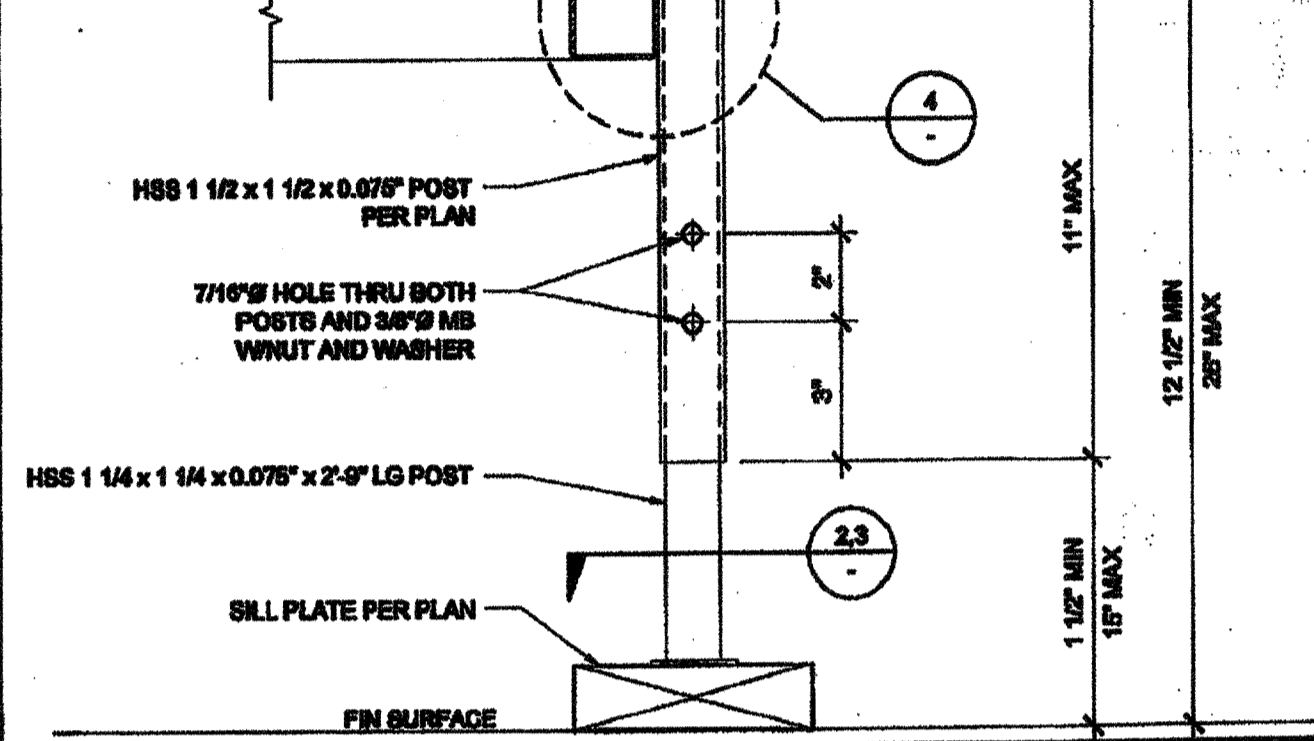
HANDRAIL CONNECTION AT SHEETMETAL BLKG SCALE: 3" = 1'-0" 16



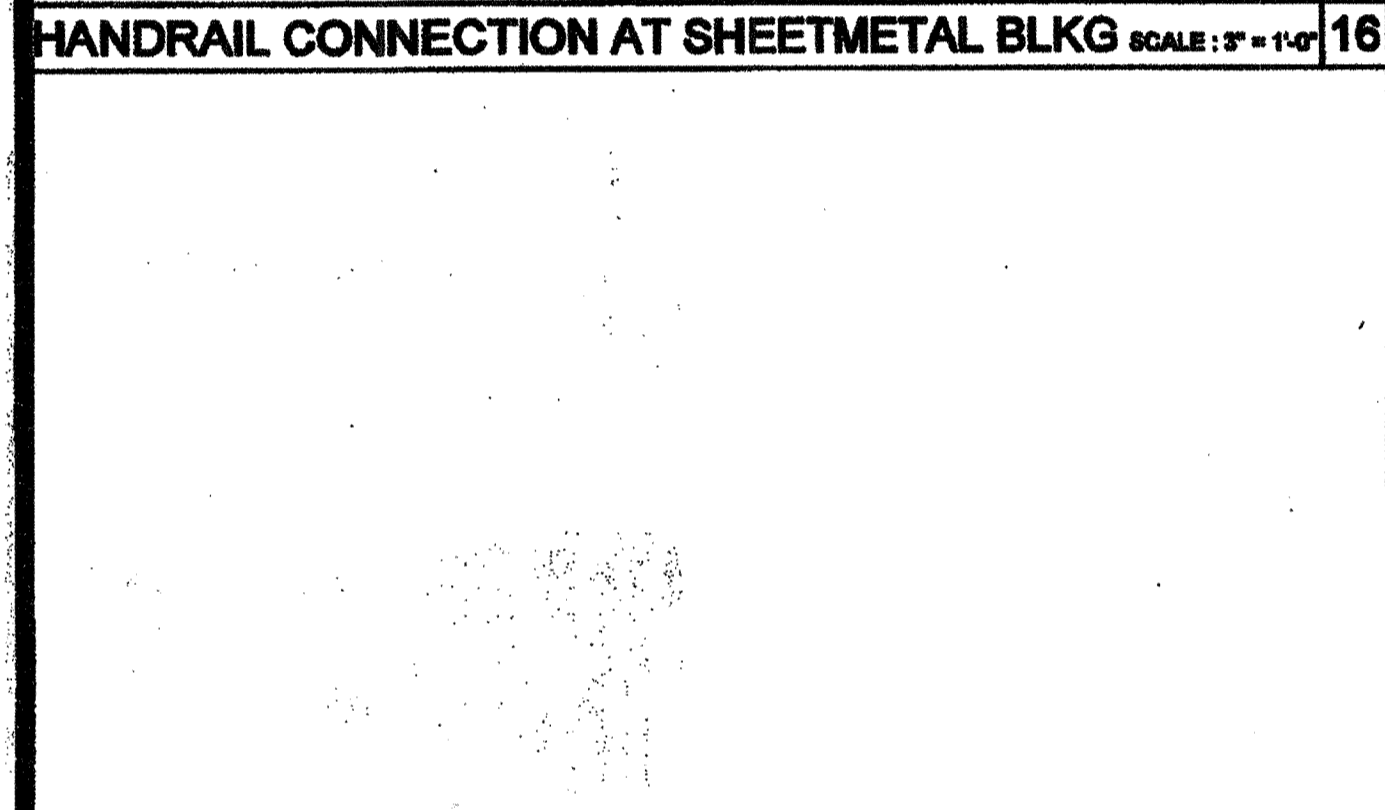
HANDRAIL CONNECTION AT WOOD BLOCKING SCALE: 3" = 1'-0" 11



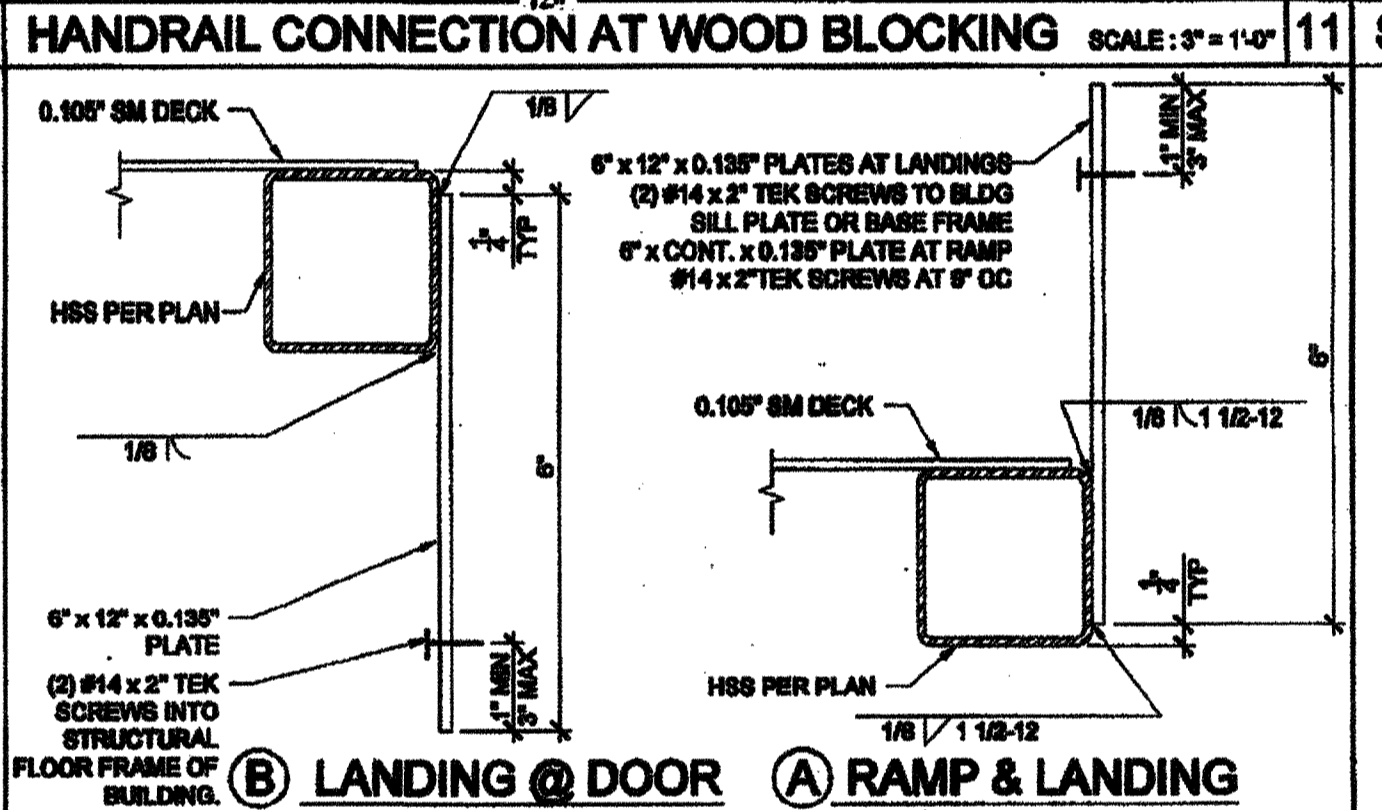
SKIRT FLASHING AT SILL PLATE SCALE: 3" = 1'-0" 6



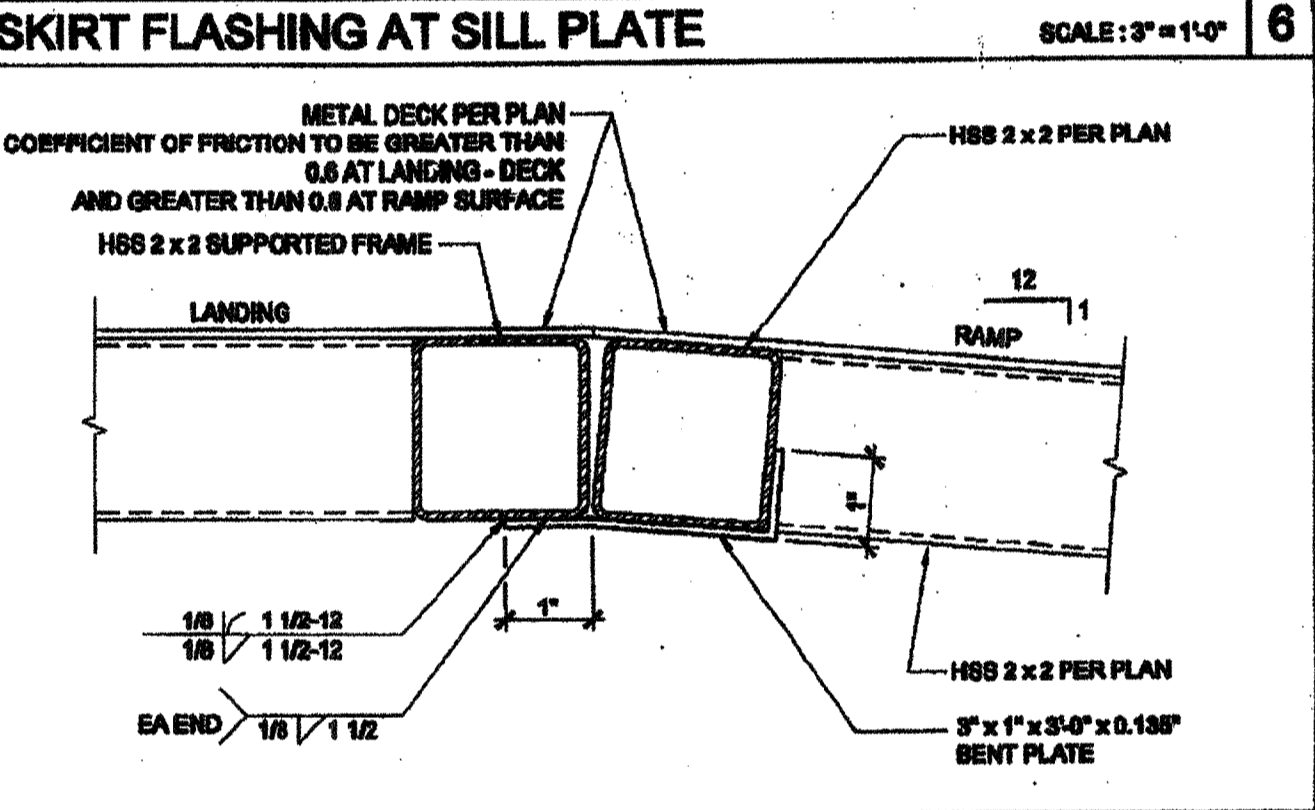
ADJUSTABLE LEG BASE PLATE SCALE: 3" = 1'-0" 2



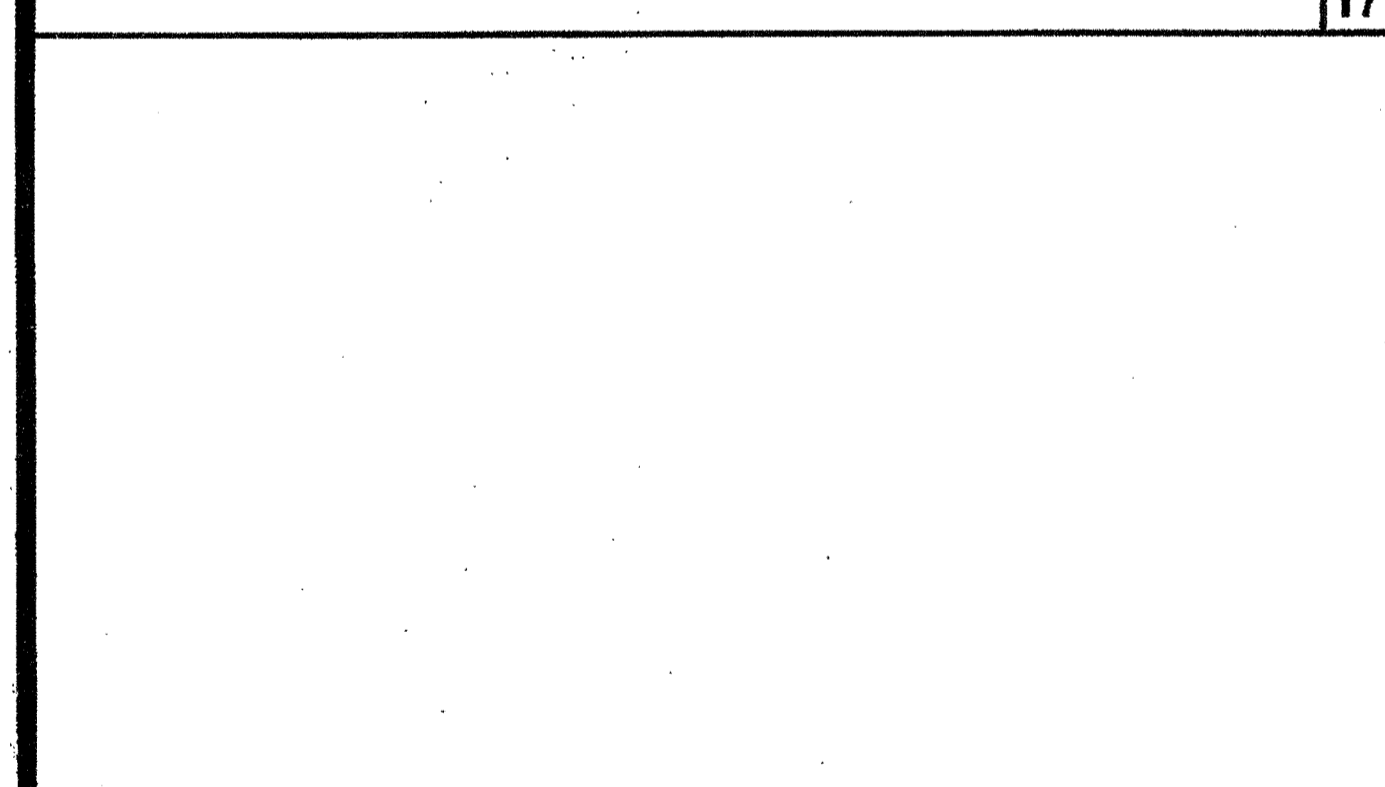
SECTION AT PLATE SCALE: 6" = 1'-0" 17



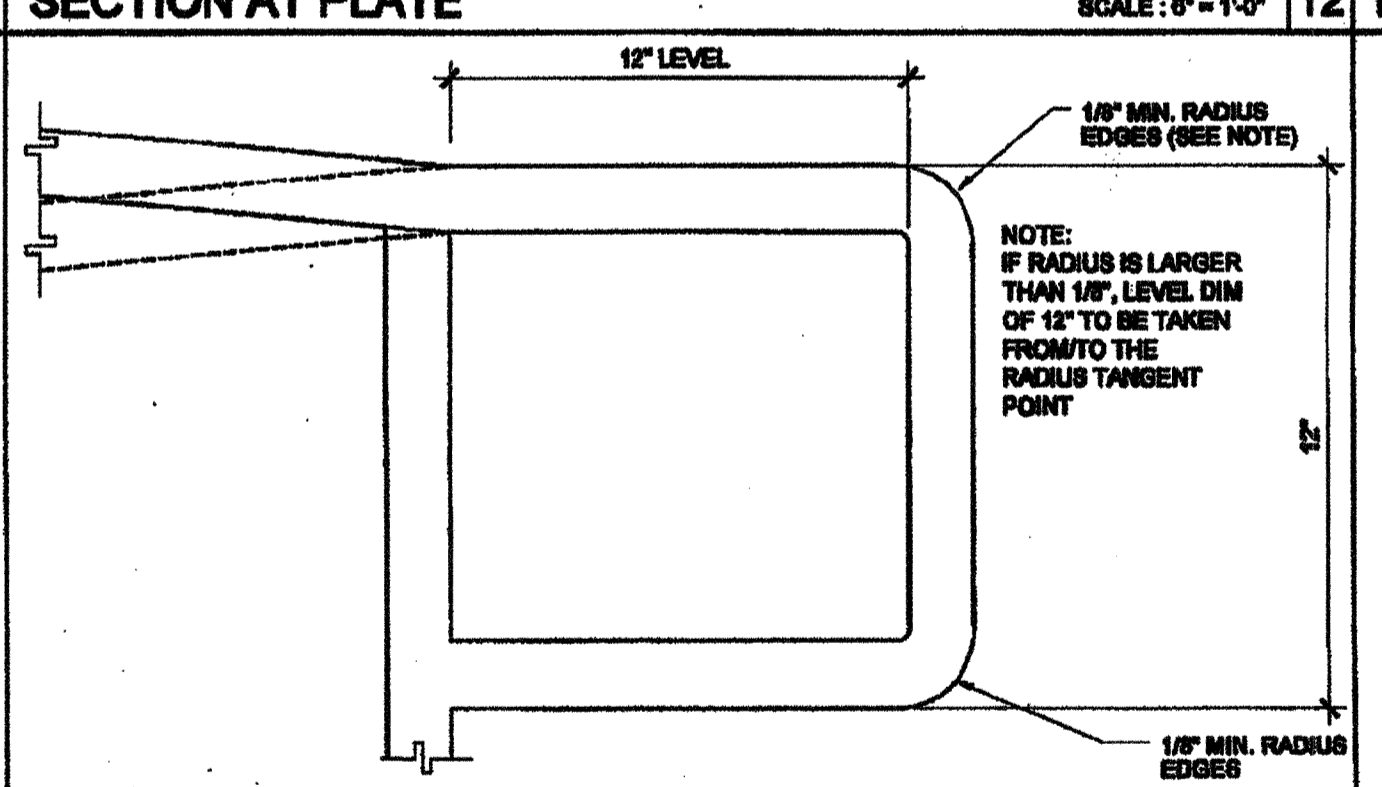
RAMP AT LANDING SCALE: 6" = 1'-0" 7



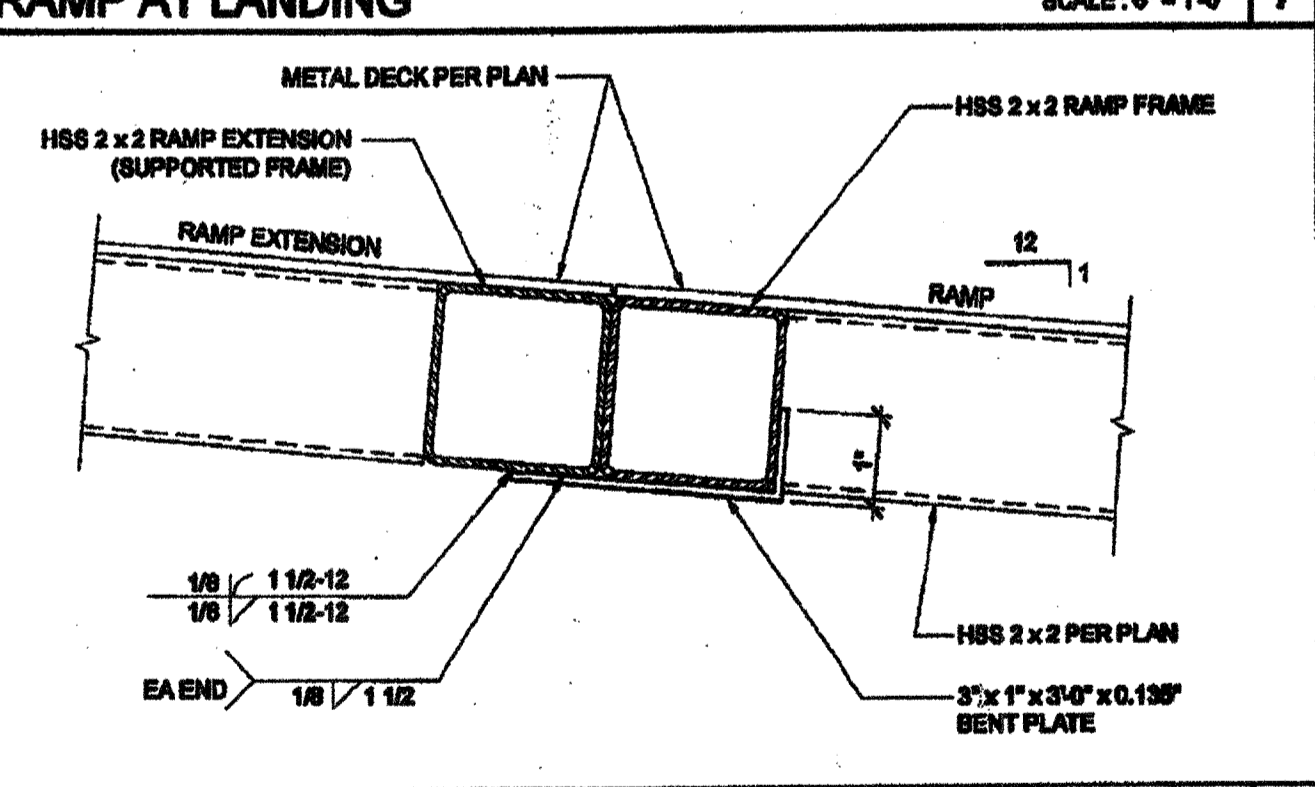
ADJUSTABLE LEG BASE PLATE SCALE: 3" = 1'-0" 3



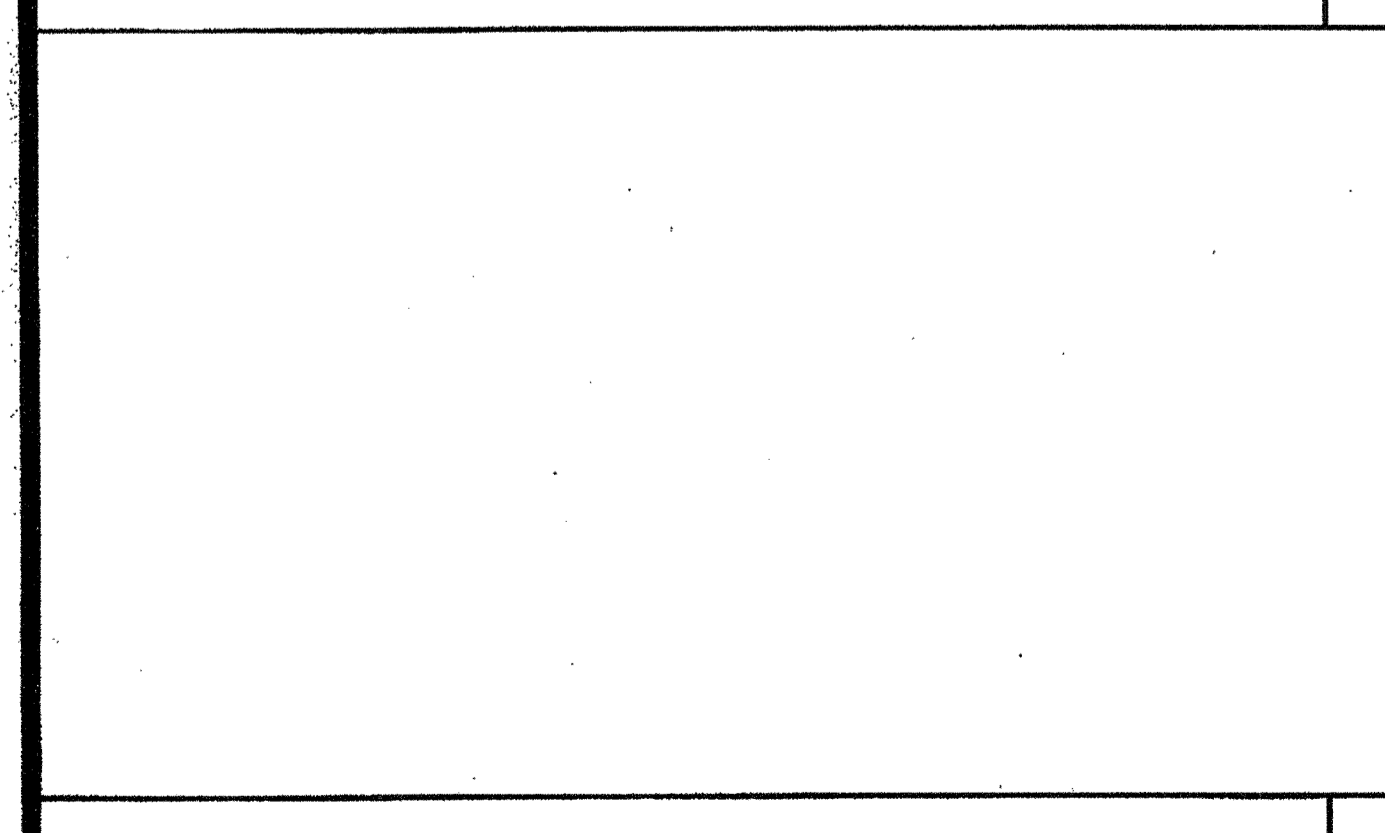
EXTEND HANDRAIL @ TOP OR BOTT. ENDS SCALE: 3" = 1'-0" 13



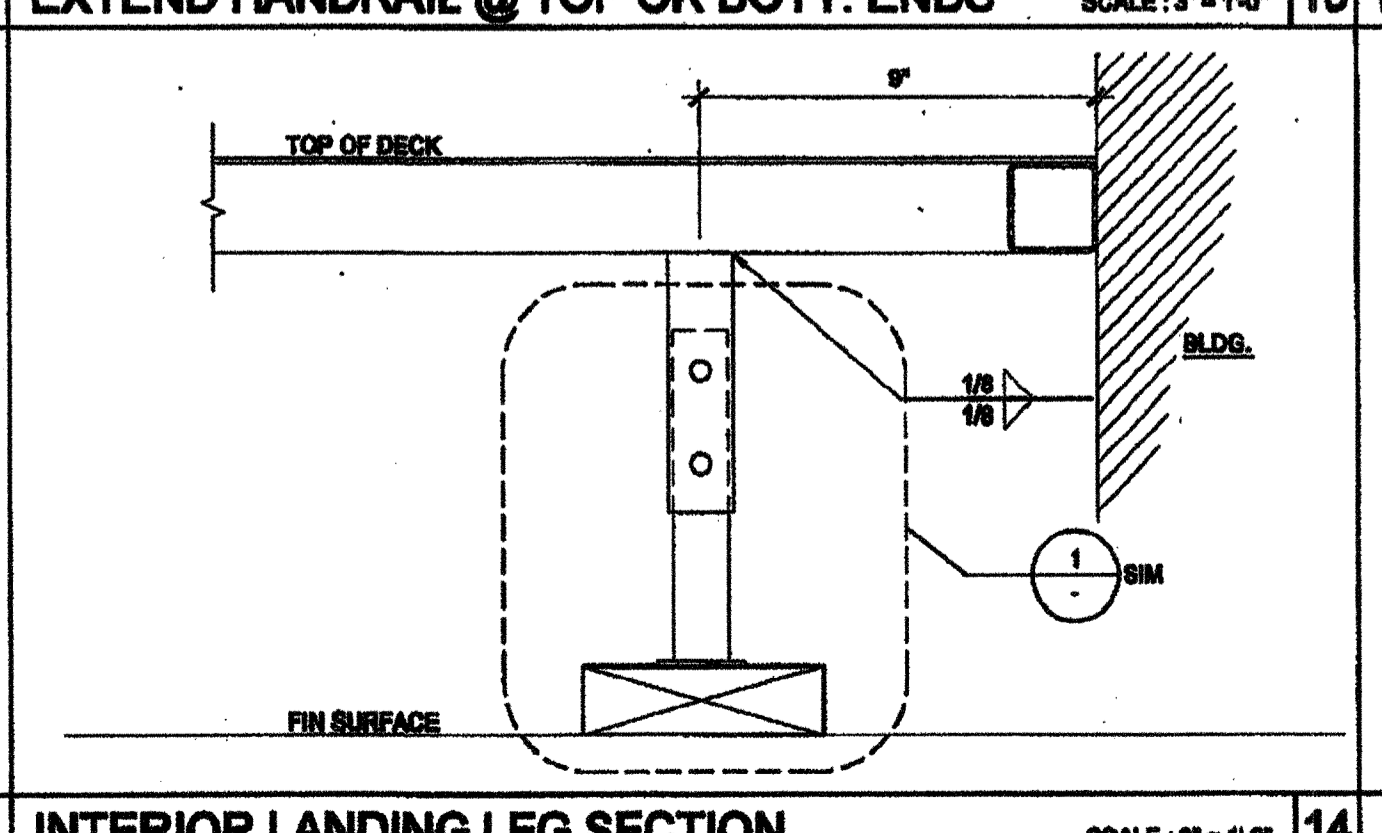
RAMP EXTENSION SCALE: 6" = 1'-0" 8



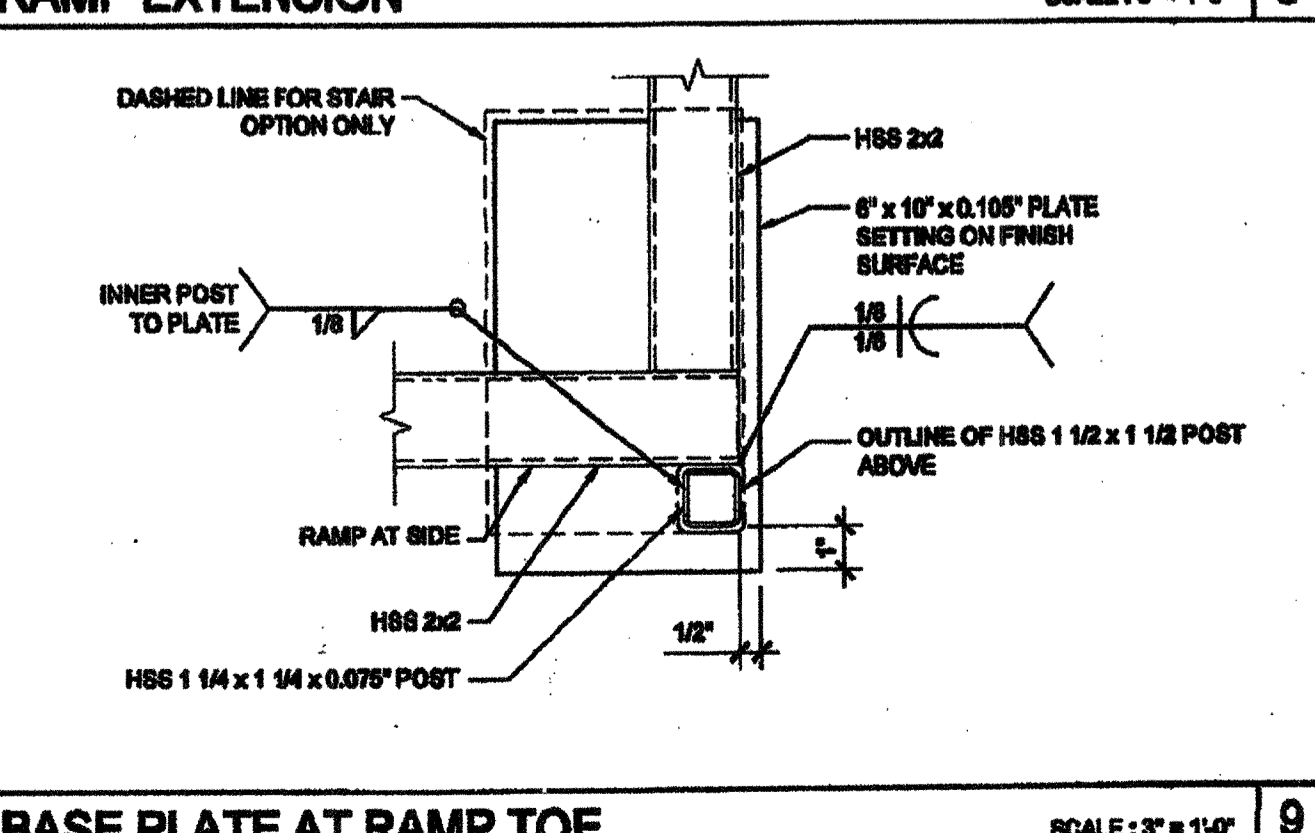
ADJUSTABLE LEG BASE PLATE SCALE: 3" = 1'-0" 3



INTERIOR LANDING LEG SECTION SCALE: 3" = 1'-0" 14



BASE PLATE AT RAMP TOE SCALE: 3" = 1'-0" 9



GUARDRAIL POST ATTACHMENT SCALE: 6" = 1'-0" 4