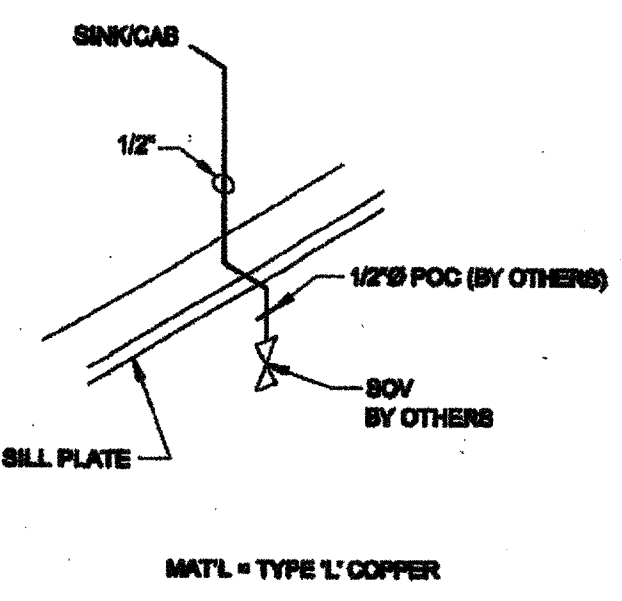
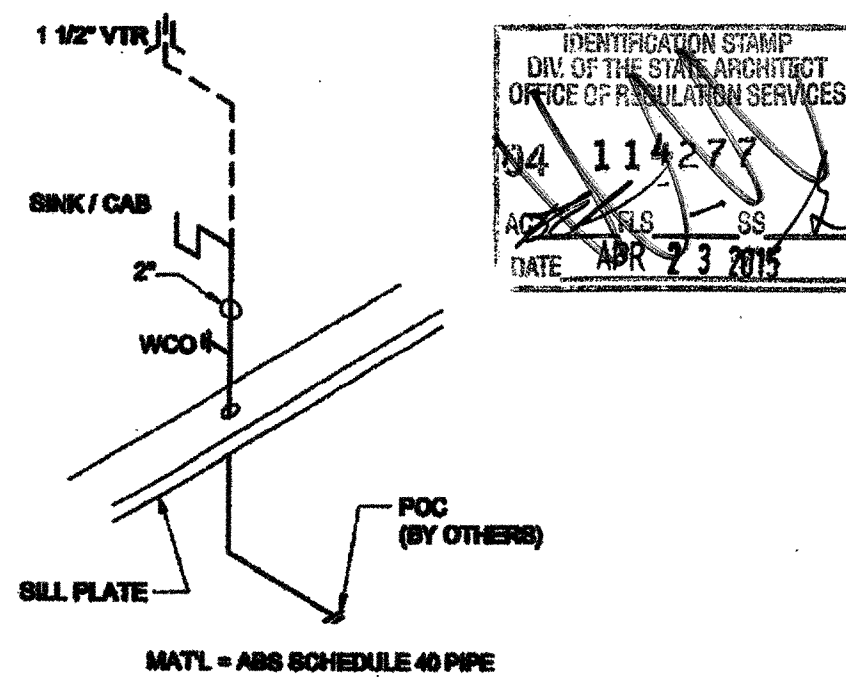


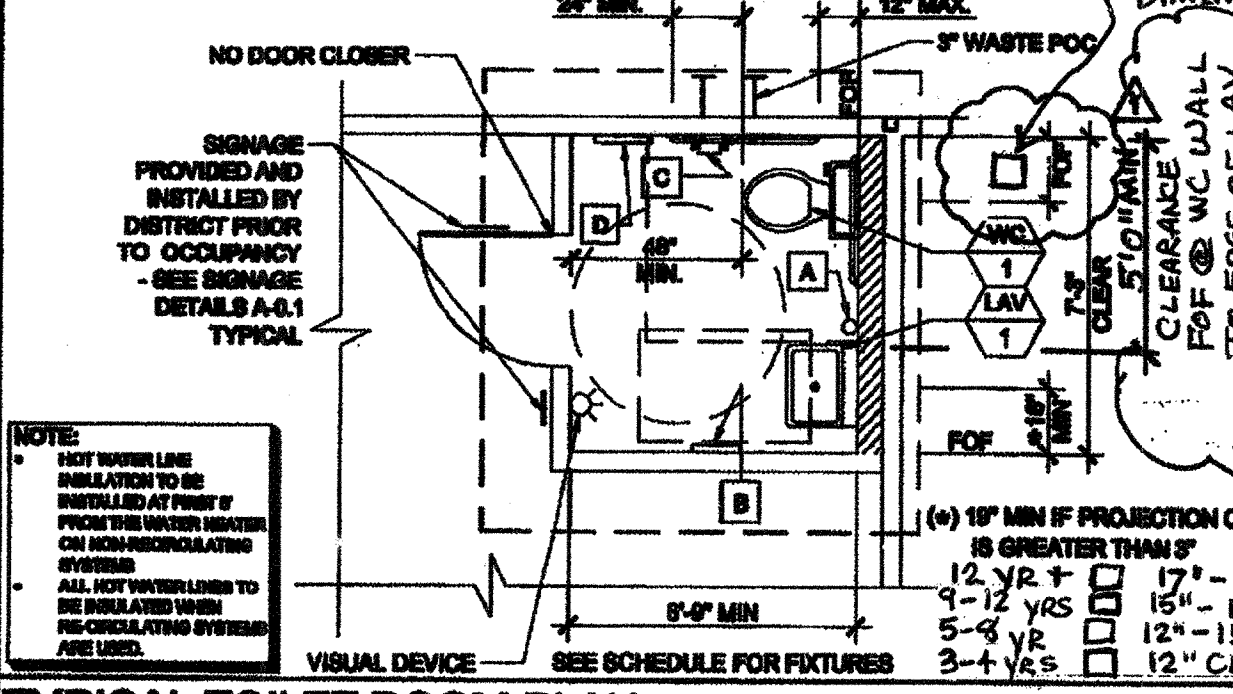
TYPICAL SINK CABINET SEE NOTE 'A' ON FLOOR PLANS



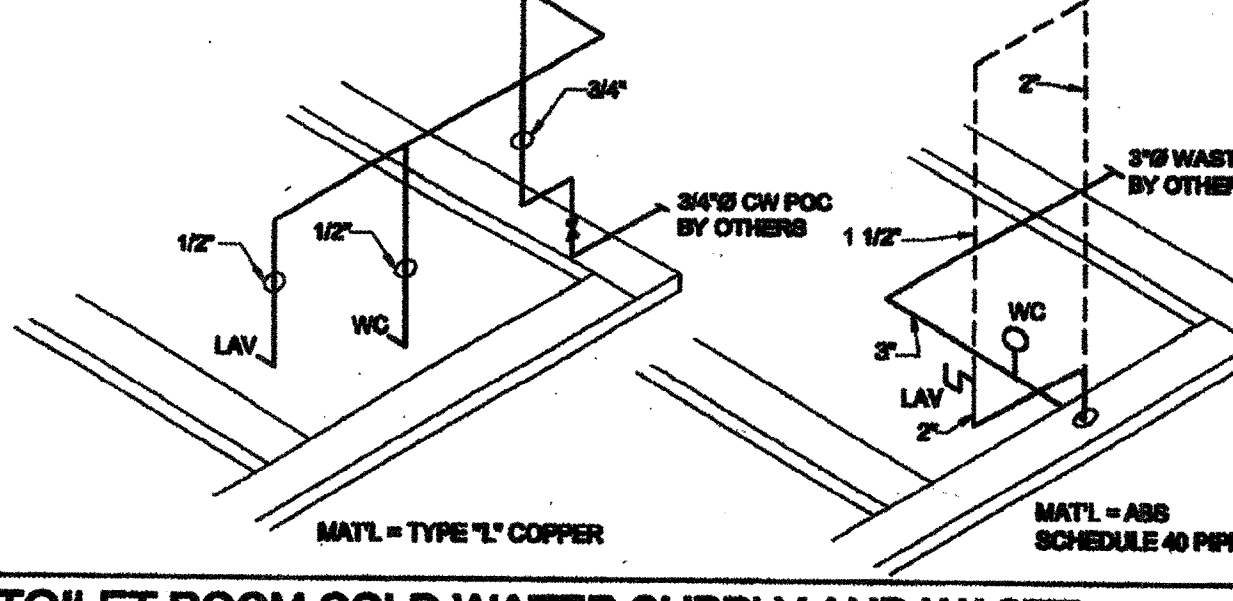
SINK CABINET COLD WATER SUPPLY



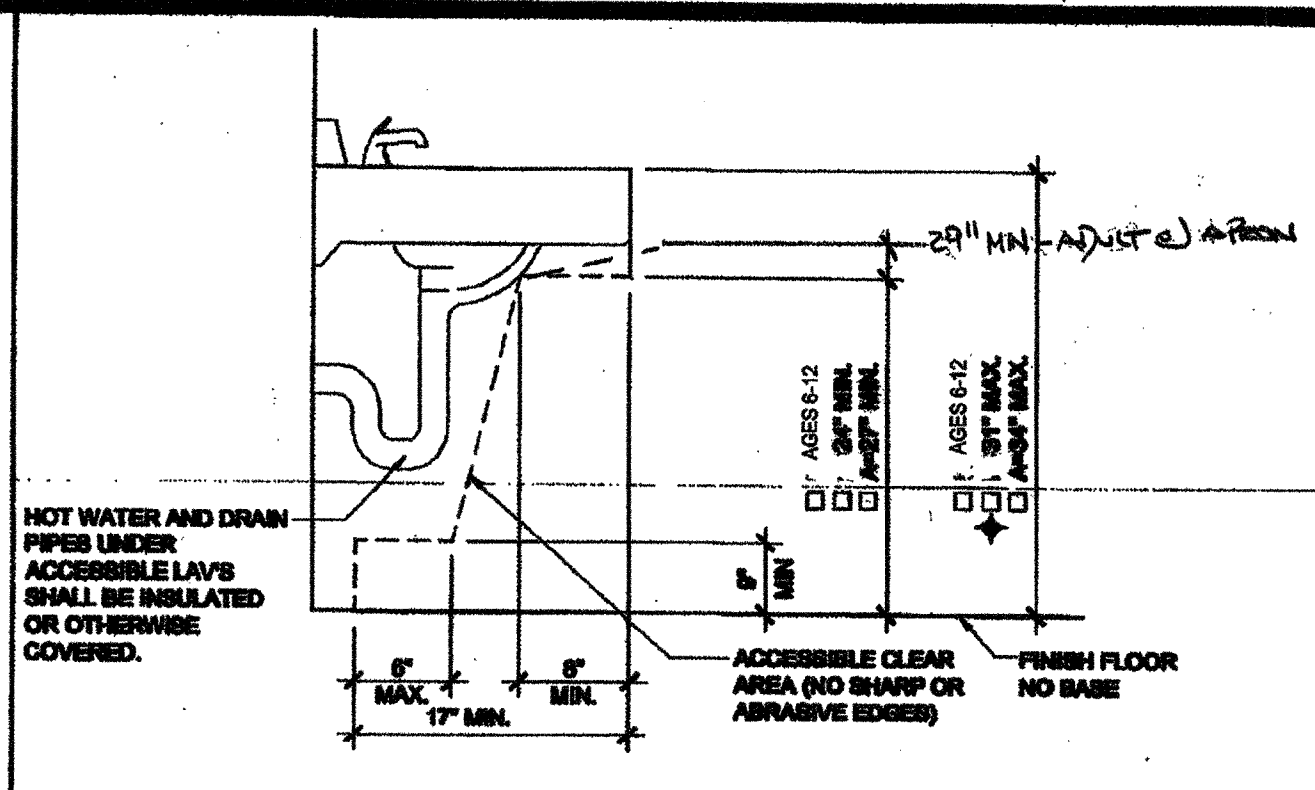
SINK CABINET WASTE



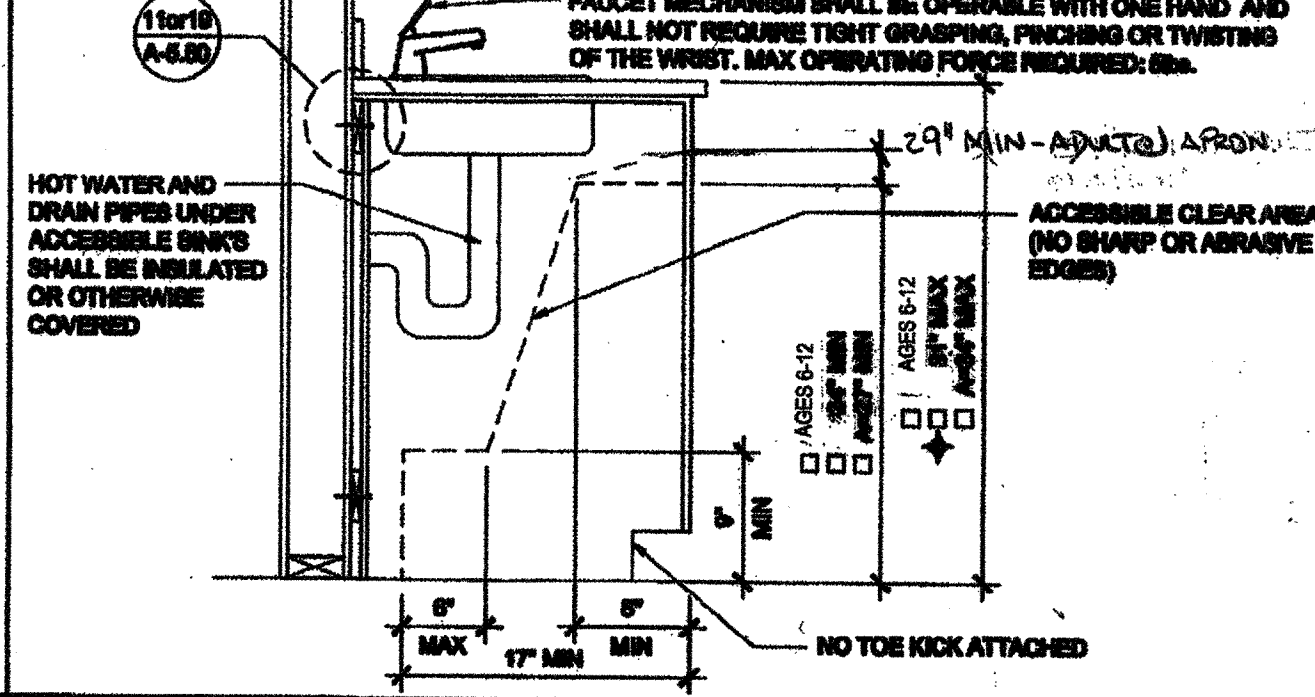
TYPICAL TOILET ROOM PLAN



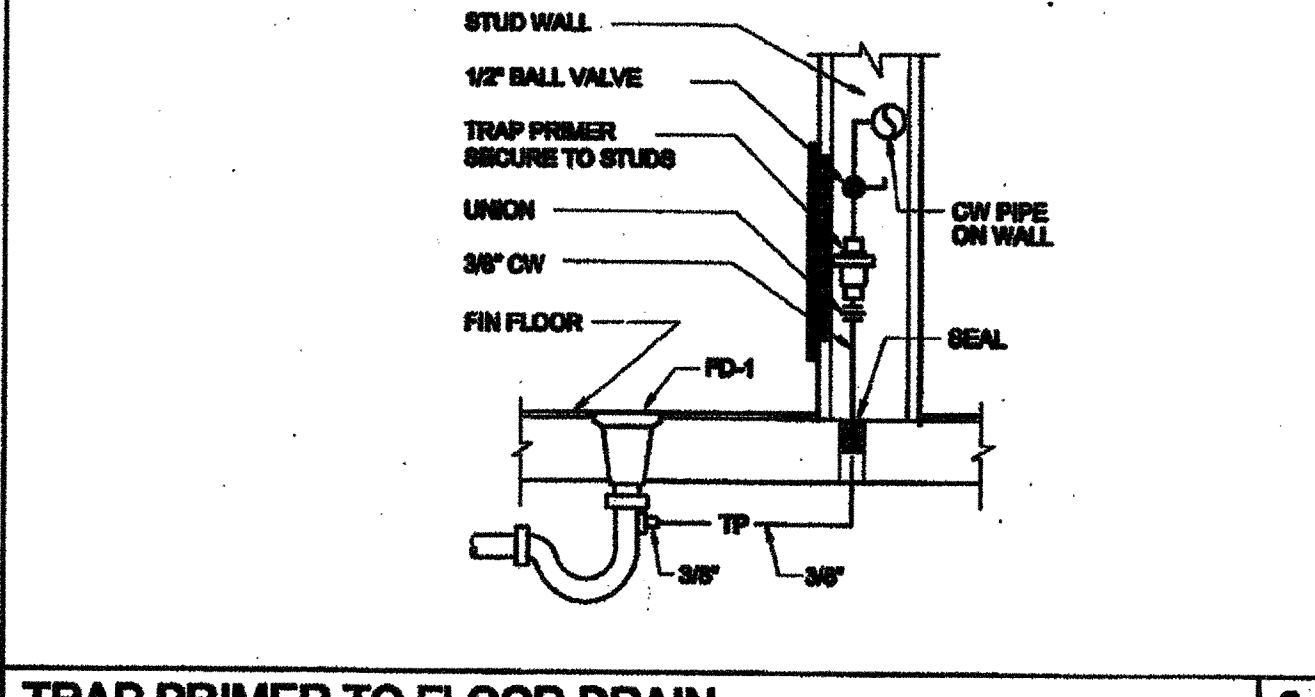
TOILET ROOM COLD WATER SUPPLY AND WASTE



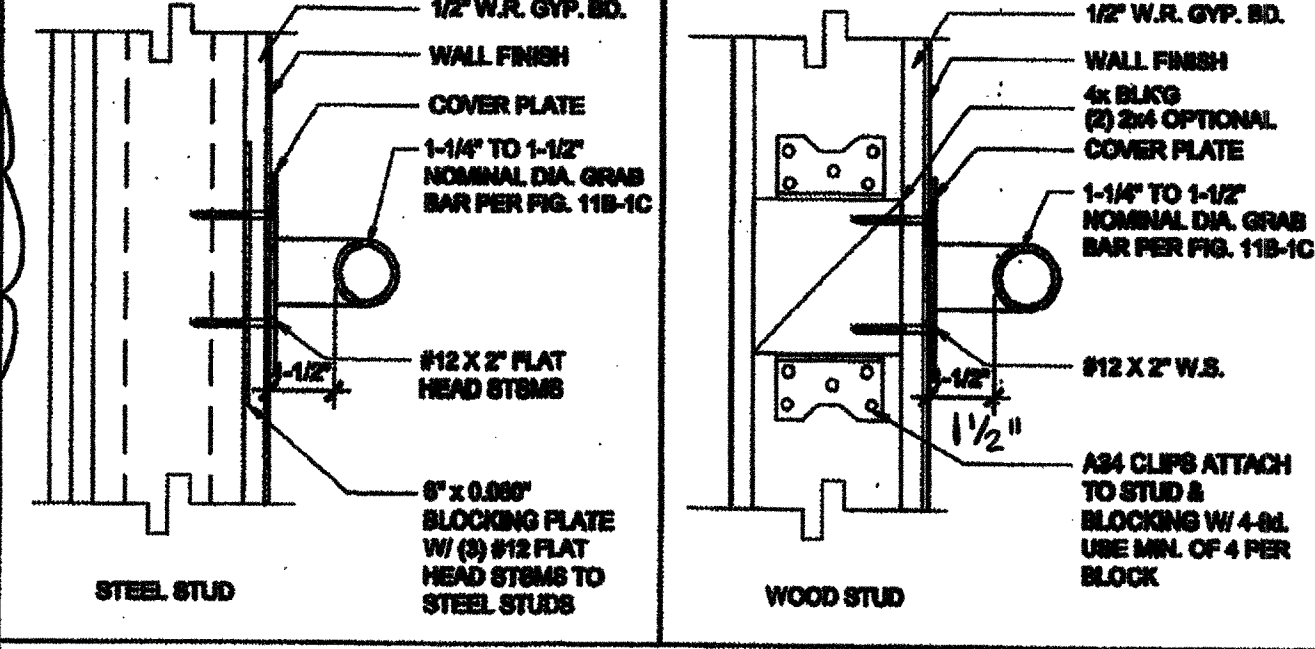
ACCESSIBLE LAV CLEARANCE



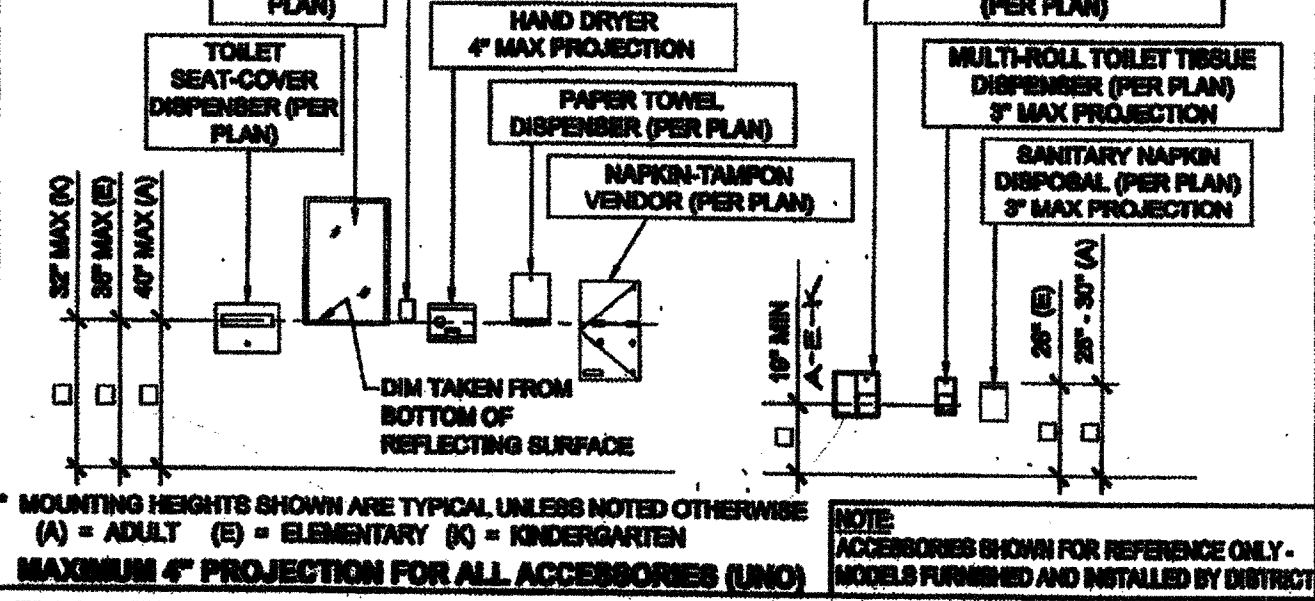
ACCESSIBLE SINK CABINET (OPTION)



TRAP PRIMER TO FLOOR DRAIN



GRAB BAR CONNECTION DETAIL



TOILET FIXTURE MOUNTING HEIGHTS (ACCESSORIES)

* 34" - 38" (ADULT) LOWER HAND RAIL MAY BE USED.

THE DIVISION OF THE STATE ARCHITECT, OFFICE OF REGULATION SERVICES RECOMMENDS THE FOLLOWING DIMENSIONS AS ADEQUATELY SERVING THE NEEDS OF CHILDREN IN PROJECTS UNDER THEIR JURISDICTION. THESE RECOMMENDATIONS ARE BASED ON TABLE 11B-804.8 SUGGESTED DIMENSIONS FOR WATER CLOSETS SERVING CHILDREN AGES 3 TO 12.

| ACCESSIBILITY DIMENSIONS | ADULT | 11B-804.9 SUGGESTED DIMS | | |
|---|-----------|--------------------------|------------------|--------------|
| | | AGES 9 THROUGH 12 | AGES 5 THROUGH 8 | AGES 3 AND 4 |
| TOILET CENTERING FROM WALL | 17" - 18" | 15" - 18" | 12" - 15" | 12" |
| TOILET SEAT HEIGHT (DIM TO TOP OF SEAT) | 17" - 19" | 16" - 17" | 12" - 15" | 11" - 12" |
| GRAB BAR HEIGHT (TO TOP) | 33" - 36" | 25" - 27" | 20" - 25" | 18" - 20" |
| TOILET PAPER IN FRONT OF TOILET | 7" - 9" | 7" - 9" | 7" - 9" | 7" - 9" |
| NAPKIN DISPOSAL IN FRONT OF TOILET | 12" MAX. | 12" MAX. | N/A | N/A |
| MIRROR HEIGHT (TO BOTTOM OF GLASS) | 40" MAX. | 40" MAX. | 36" MAX. | 32" MAX. |
| DISPENSER HEIGHT | 19" MIN. | 17" - 19" | 14" - 17" | 14" |
| LAVATORY/SINK TOP HEIGHT | 34" MAX. | 31" MAX. | 31" MAX. | 31" MAX. |
| LAVATORY/SINK KNEE CLEARANCE | 27" MIN. | 24" MIN. | 24" MIN. | 24" MIN. |
| URINAL LIP HEIGHT | 17" MAX. | 14" MAX. | 13" MIN. | 13" MIN. |
| URINAL FLUSH HANDLE HEIGHT | 44" MAX. | 44" MAX. | 37" MAX. | 32" MAX. |
| DRINKING FOUNTAIN BUBBLER HEIGHT | 35" MAX. | 30" MAX. | 30" MAX. | 30" MAX. |
| DRINKING FOUNTAIN KNEE CLEARANCE | 27" MIN. | 24" MIN. | 22" MIN. | 22" MIN. |
| RAMP/STAIR HANDRAIL HEIGHT (TO TOP) | 34" - 38" | 34" - 38" | 34" - 38" | 34" - 38" |

| STANDARD DIMENSIONS | ADULT | ALT. HEIGHT (DIMS) | | |
|---------------------------------------|----------|--------------------|------------------|--------------|
| | | AGES 9 THROUGH 12 | AGES 5 THROUGH 8 | AGES 3 AND 4 |
| TOILET CENTERING FROM WALL/PARTITION | 15" MIN. | 15" MIN. | 15" MIN. | 15" MIN. |
| TOILET SEAT HEIGHT/DIM TO TOP OF SEAT | 15" | 15" | 15" | 15" |
| TOILET CLEARANCE/FROM | 24" | 24" | 24" | 24" |
| URINAL LIP HEIGHT | 24" | 24" | 18" | 16" |
| URINAL CENTER FROM WALL/PARTITION | 12" | 12" | 12" | 12" |

PLUMBING ACCESSORIES (REF. ONLY - MODELS FURNISHED AND INSTALLED BY DISTRICT U.A.O.)

- A SOAP DISPENSER: LIQUID SOAP DISPENSER 4" MAX. PROJECTION
- B PAPER TOWEL DISPENSER/TISSUE BIN COMB: SURFACE MOUNTED 4" MAX. PROJECTION - CANNOT ENDOUCH INTO 30" W.C. SPACE OF FIXTURE
- C TOILET PAPER HOLDER: SINGLE ROLL SELF-RECESSED OR 3" MAX. PROJECTION
- D TOILET SEAT DISPENSER: SURFACE MOUNTED

PLUMBING FIXTURE SCHEDULE

| SYMBOL | FIXTURE | COLD WATER | HOT WATER | WASTE | VENT | FIXTURE DESCRIPTION (AS CALLED OUT OR APPROVED EQUAL) |
|--------|--|------------|-----------|-------|--------|--|
| | | | | | | |
| WC 2 | [E] WATER CLOSET TANK TYPE (ACCESSIBLE) | 1/2" | - | 3" | 2" | STD: PROFLO STANDARD PFR500 ALT: AMERICAN STANDARD 2882-126 10" HIGH, VITREOUS CHINA ELONGATED RIM TANK TYPE 12" ROUGH-IN; OLSONITE 1000 SOLID OPEN WHITE ELONGATED PLASTIC SEAT |
| WC 3 | [K] WATER CLOSET TANK TYPE (ACCESSIBLE & NON-ACCESSIBLE) | 1/2" | - | 3" | 2" | STD: PROFLO PFR700S ALT: AMERICAN STANDARD 2815-010 BABY DEVORO 10" HIGH, 10" ROUGH-IN, VITREOUS CHINA ELONGATED RIM TANK TYPE; OLSONITE 1000 SOLID OPEN WHITE ELONGATED PLASTIC SEAT |
| LAV 1 | LAVATORY (ACCESSIBLE) | 1/2" | - | 2" | 1 1/2" | STD: AMERICAN STANDARD 0808-023 LUCERNE ALT: CRANE 1412-00 HANNOVER 20" VITREOUS CHINA; JAY R SMITH #732 CONCEALED HANDBAR; VALLEY (NLS) 00000000 HANDLE FAUCET (AMERICAN STANDARD 944-011) TO BE USED @ SINKS & ELIMINATE APPLICATIONS ONLY |
| FD 1 | FLOOR DRAIN | - | - | 2" | 1 1/2" | JAY R SMITH 6200VA-00-FD00-00 FLOOR DRAIN TAPPED FOR PRIMER, 8" NICKEL BRONZE STRAINER |
| TP 1 | TRAP PRIMER | 1/2" | - | - | - | PR-800 WITH #7X1/2" LOCKABLE BOX, 1/2" BALL SHUT-OFF VALVE, AND PPP DUU FRESH WATER DISTRIBUTION SYSTEM |
| GB 1 | GRAB BAR | - | - | - | - | McDONEY 8704-1-1/2 00 STAINLESS STEEL GRAB BAR - SATIN FINISH; 36" LONG ON BACK AND 48" ON SIDE - |
| M 1 | MIRROR | - | - | - | - | SERIES 630 RETURNED MIRRORS STAINLESS STEEL - 180A 18"X24" - 1" SHEET METAL MANUFACTURED OR APPROVED EQUAL |
| CS 1 | CLASSROOM SINK | 1/2" | 1/2" | 2" | 1 1/2" | JUST CRA-1725-A-GR 17"X25" 4" 1/2" BOWL DEPTH WITH CHICAGO FAUCET (800) AND BUBBLER JSB-10 |
| WH 1 | WATER HEATER | 3/4" | 3/4" | - | - | A.O. SMITH 80EL-6 (6 GALLON) A.O. SMITH 80EL-10 (10 GALLON) |
| WH 2 | INSTANT WATER HEATER | 1/2" | 1/2" | - | - | ESMAX #03P12, 120V, 3.00W, 25A |
| DF 1 | DRINKING FOUNTAIN | 1/2" | - | 2" | 1 1/2" | HALEY-TAYLOR / S/LEVEL HANDS/FB-Q / COOLING TYPE |

[A] = ADULT [E] = ELEMENTARY [K] = KINDERGARTEN

THESE DRAWINGS AND ALL MATERIAL CONTAINED HEREIN ARE THE PROPERTY OF SILVER CREEK INDUSTRIES, INC. (SCI INC) AND SHALL NOT BE REPRODUCED, COPIED OR OTHERWISE DISPOSED OF DIRECTLY OR INDIRECTLY AND SHALL NOT BE USED IN WHOLE OR IN PART TO ASSIST IN THE MAKING OF OR FOR THE PURPOSE OF FURNISHING ANY INFORMATION FOR THE MAKING OF DRAWINGS, PRINTS, APPARATUS OR PARTS THEREOF WITHOUT THE FULL KNOWLEDGE AND WRITTEN CONSENT OF SCI INC.

SILVER CREEK INDUSTRIES, INC.



195 EAST MORGAN PERRE, CALIFORNIA 92571
PHONE: 951-948-8999 FAX: 951-948-3211

CLASS LEASING CLASSROOMS BLDG'S

PLUMBING DETAILS AND SCHEDULE

PROJECT NAME:

PLUMBING DETAILS AND SCHEDULE

PLUMBING DETAILS AND SCHEDULE

PLUMBING DETAILS AND SCHEDULE

PLUMBING DETAILS AND SCHEDULE

PLUMBING DETAILS AND SCHEDULE

PLUMBING DETAILS AND SCHEDULE

PLUMBING DETAILS AND SCHEDULE

PLUMBING DETAILS AND SCHEDULE

PLUMBING DETAILS AND SCHEDULE

PLUMBING DETAILS AND SCHEDULE

PLUMBING DETAILS AND SCHEDULE

PLUMBING DETAILS AND SCHEDULE

PLUMBING DETAILS AND SCHEDULE

PLUMBING DETAILS AND SCHEDULE

PLUMBING DETAILS AND SCHEDULE

PLUMBING DETAILS AND SCHEDULE

PLUMBING DETAILS AND SCHEDULE

PLUMBING DETAILS AND SCHEDULE

PLUMBING DETAILS AND SCHEDULE

PLUMBING DETAILS AND SCHEDULE

PLUMBING DETAILS AND SCHEDULE

PLUMBING DETAILS AND SCHEDULE