


THESE DRAWINGS AND ALL MATERIAL CONTAINED HEREIN ARE THE PROPERTY OF SILVER CREEK INDUSTRIES, INC. (SCI INC) AND SHALL NOT BE REPRODUCED, COPIED OR OTHERWISE DISPOSED OF DIRECTLY OR INDIRECTLY AND SHALL NOT BE USED IN WHOLE OR IN PART TO ASSIST IN THE MAKING OF OR MAKING OF DRAWINGS, PRINTS, APPARATUS OR PARTS THEREOF WITHOUT THE FULL KNOWLEDGE AND WRITTEN CONSENT OF SCI INC. ALL PATENTABLE MATERIAL CONTAINED HEREIN AND ORIGINATING WITH SCI INC SHALL BE THE PROPERTY OF SCI INC.

SILVER CREEK INDUSTRIES, INC.

 BUILDING FOR THE NEXT GENERATION
 198 EAST MORGAN FERRIS, CALIFORNIA 92571
 PHONE: 951-949-8993 FAX: 951-949-8211

PROJECT NAME:
CLASS LEASING CLASSROOM BLDG'S

SHEET TITLE:
**ROOF DETAILS
 0.018" STANDING SEAM ROOF DECK**

DATE: FEB 26 2015
 ARCHITECT: STAVARES ARCHITECTURE
 225 WEST TAYLOR STREET, SUITE 100, ANAHEIM, CA 92805
 PHONE: 714-944-8888

IDENTIFICATION STAMP
 DIV. OF THE STATE ARCHITECT
 OFFICE OF REGULATION SERVICES
 04 11 3 92
 AC: [Signature]
 DATE: NOV 7 2011

ARCHITECT OF RECORD
 IDENTIFICATION STAMP
 DIV. OF THE STATE ARCHITECT
 OFFICE OF REGULATION SERVICES
 04 11 4 9
 AC: [Signature]
 DATE: AUG 28 2011

PROJECT SPECIFIC STATE AGENCY APPROVAL
 IDENTIFICATION STAMP
 DIV. OF THE STATE ARCHITECT
 OFFICE OF REGULATION SERVICES
 04 11 5 36
 AC: [Signature]
 DATE: APR 04 2011

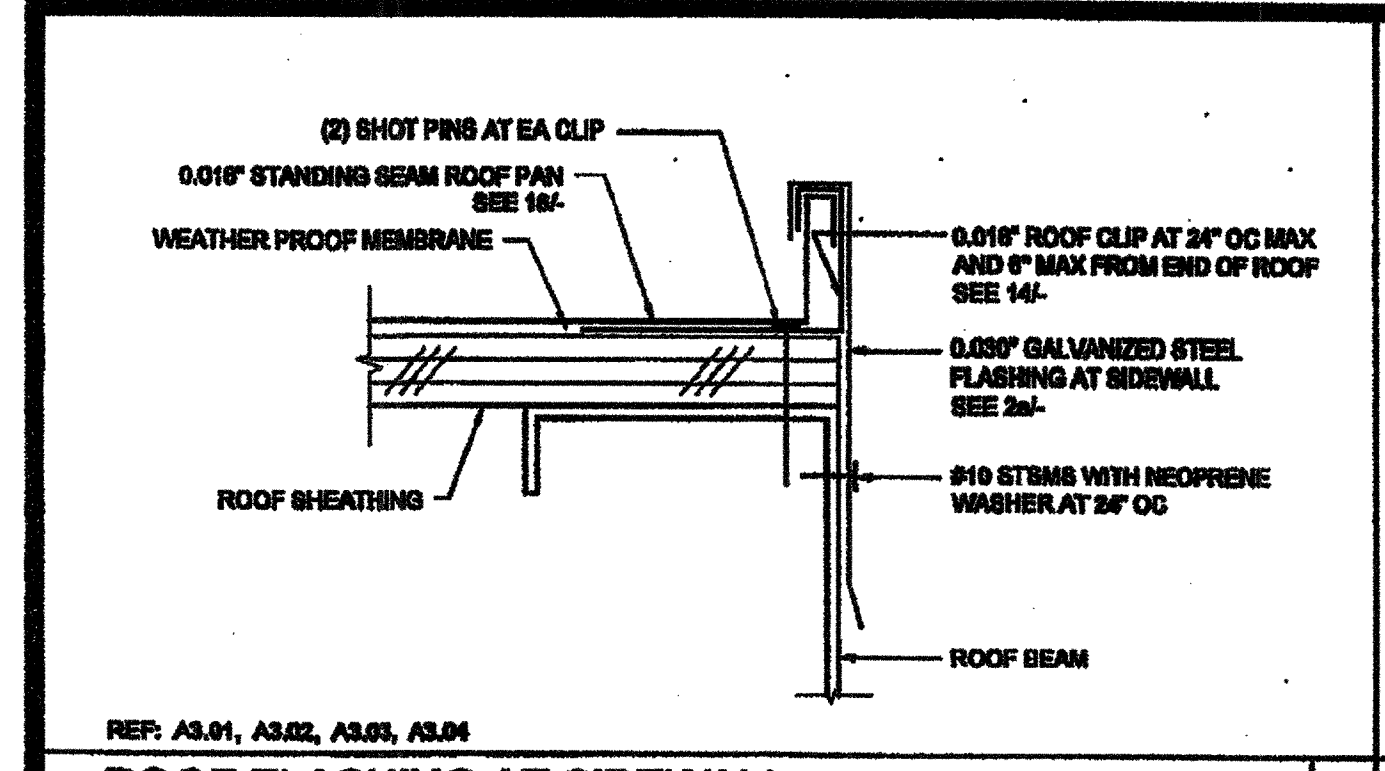
ORIGINAL PG STATE AGENCY APPROVAL
 IDENTIFICATION STAMP
 DIV. OF THE STATE ARCHITECT
 OFFICE OF REGULATION SERVICES
 PG 04-112072
 AC: [Signature]
 DATE: DEC 6 2011

REVISIONS

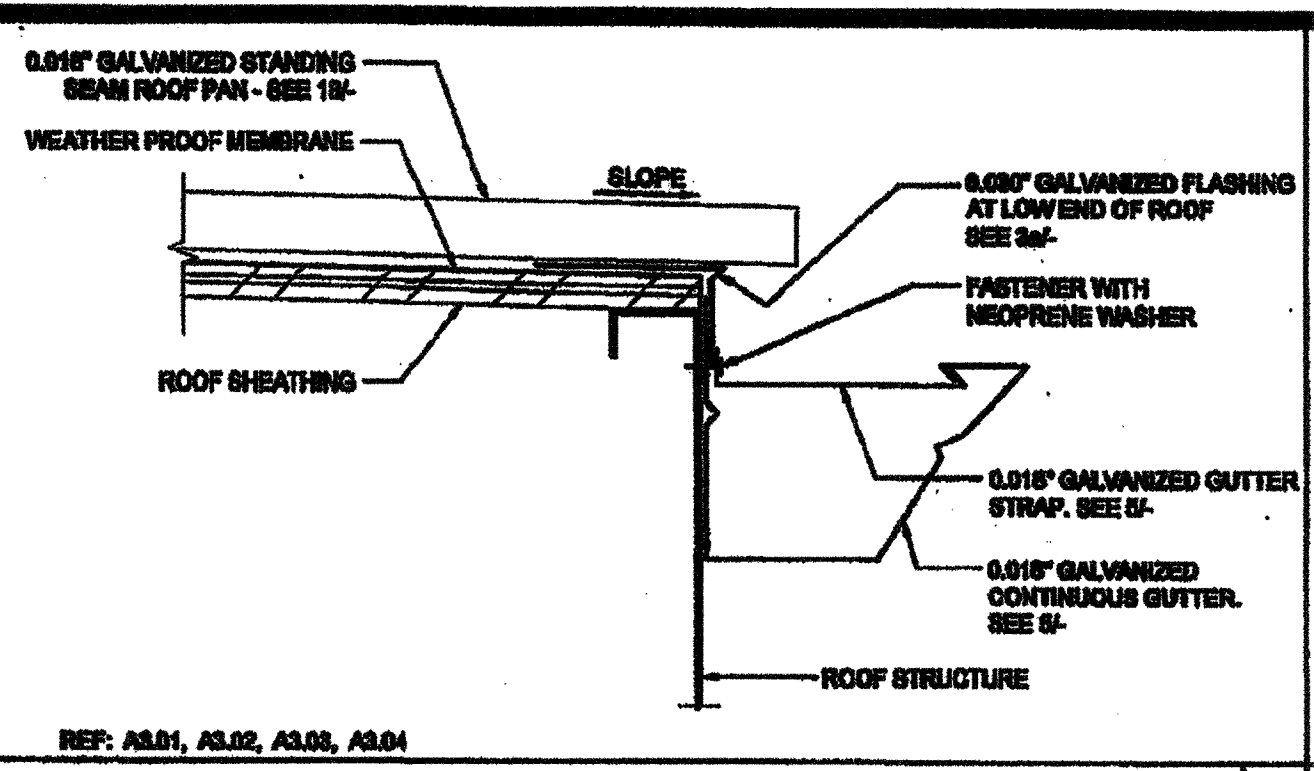
| | | |
|--|--|--|
| | | |
| | | |
| | | |
| | | |
| | | |
| | | |
| | | |
| | | |
| | | |
| | | |
| | | |

SILVER CREEK INDUSTRIES
 24' x 40' PG

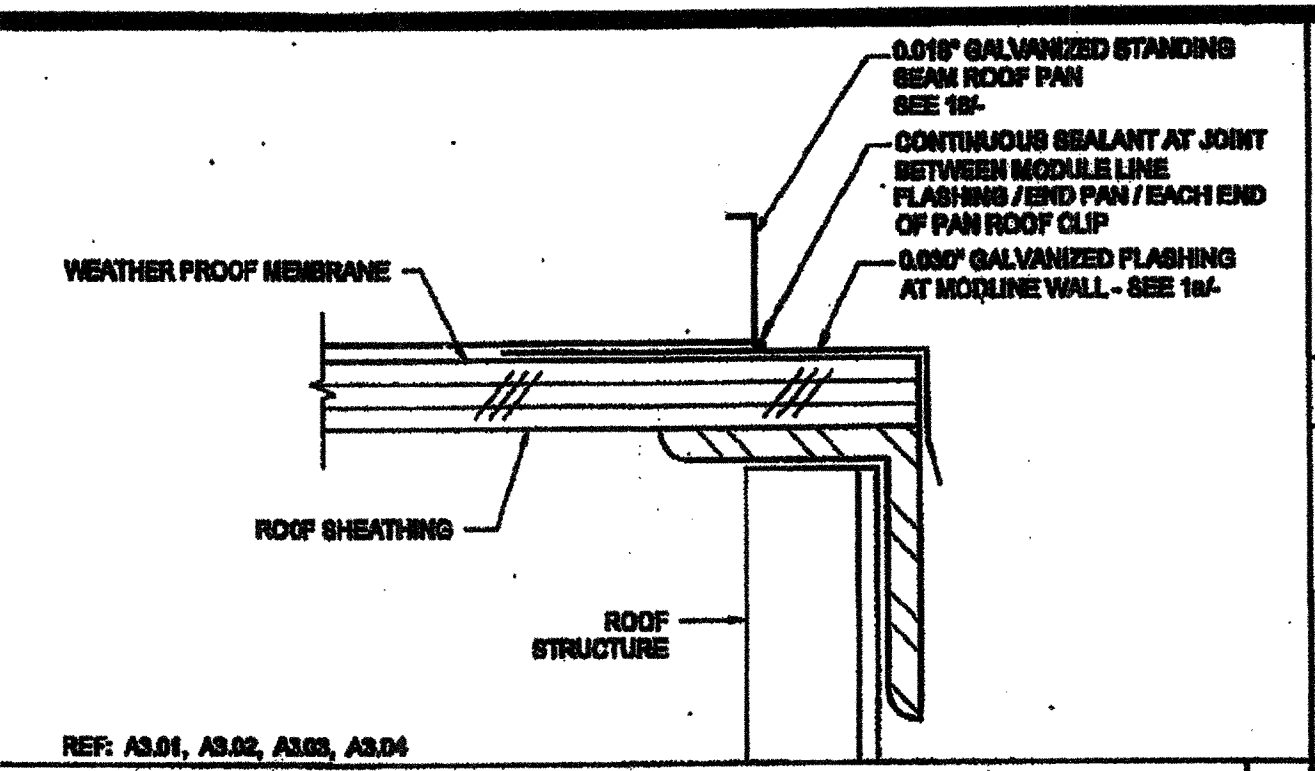
PROJECT NO:
 DRAWN BY:
 SCALE: AS NOTED
 DATE: 10-29-11
 P.C. SHEET NUMBER
A-3.50 STKP 140



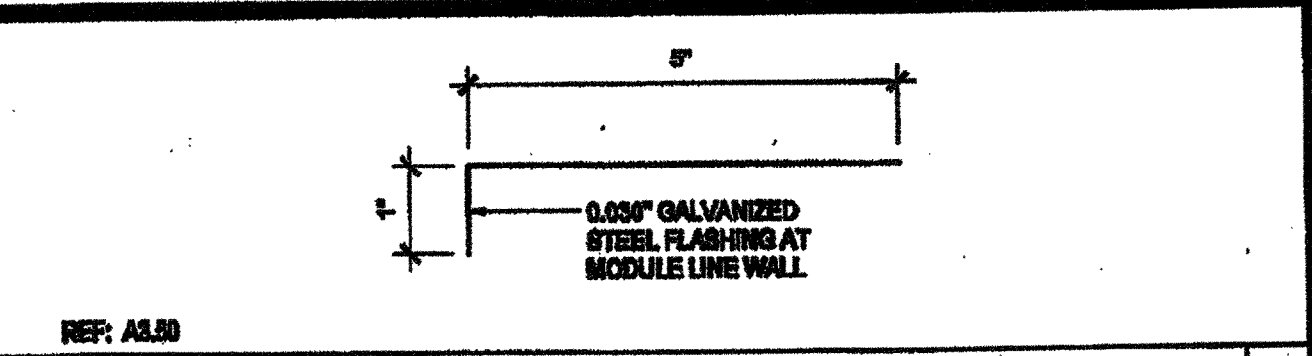
ROOF FLASHING AT SIDEWALL SCALE: 3/4"=1'-0" 16



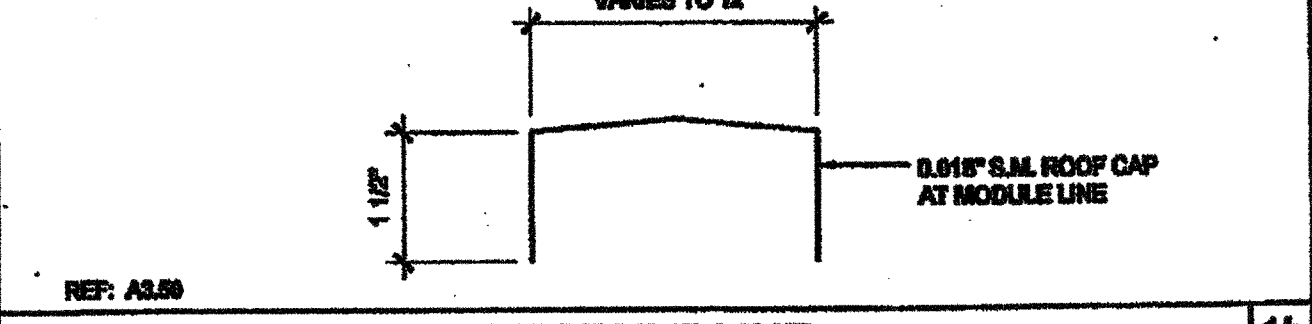
GUTTER AT ROOF FASCIA BEAM SCALE: 3/4"=1'-0" 11



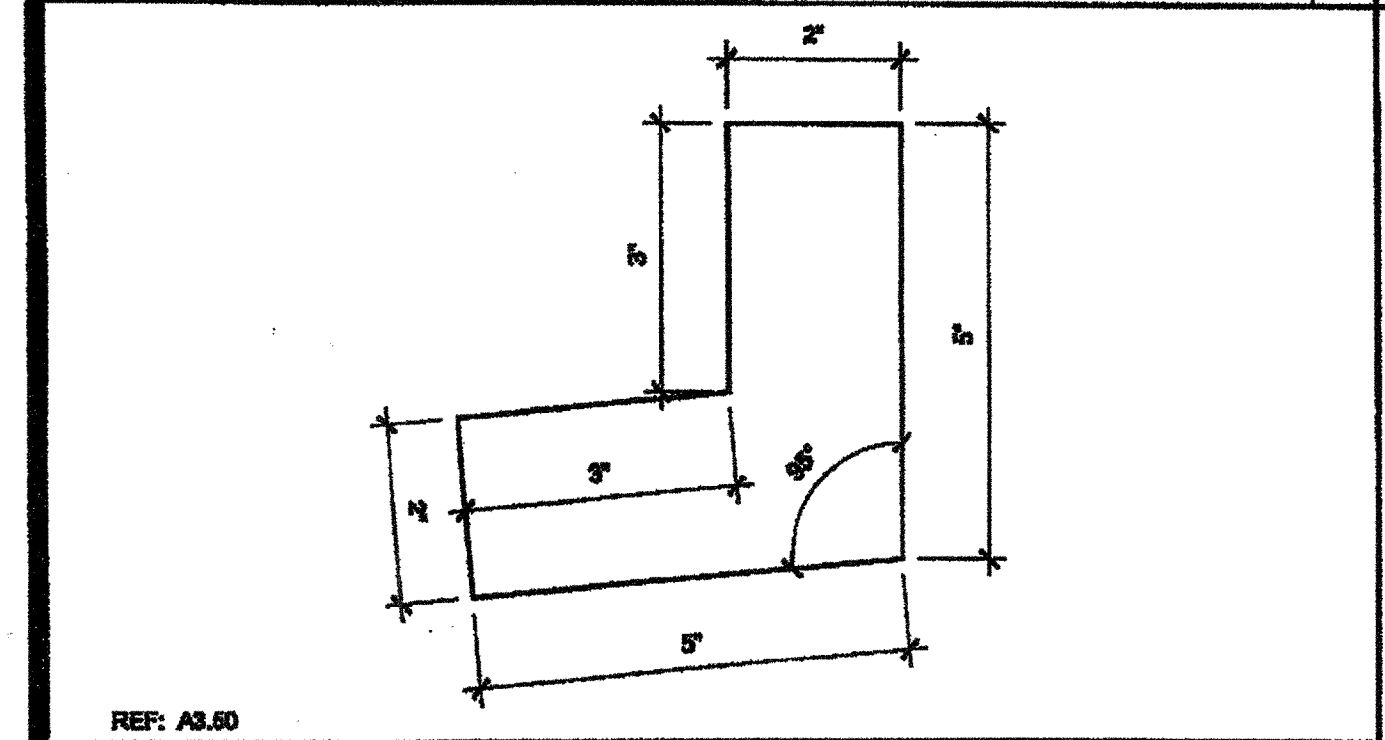
END ROOF PAN CONNECTION SCALE: 3/4"=1'-0" 6



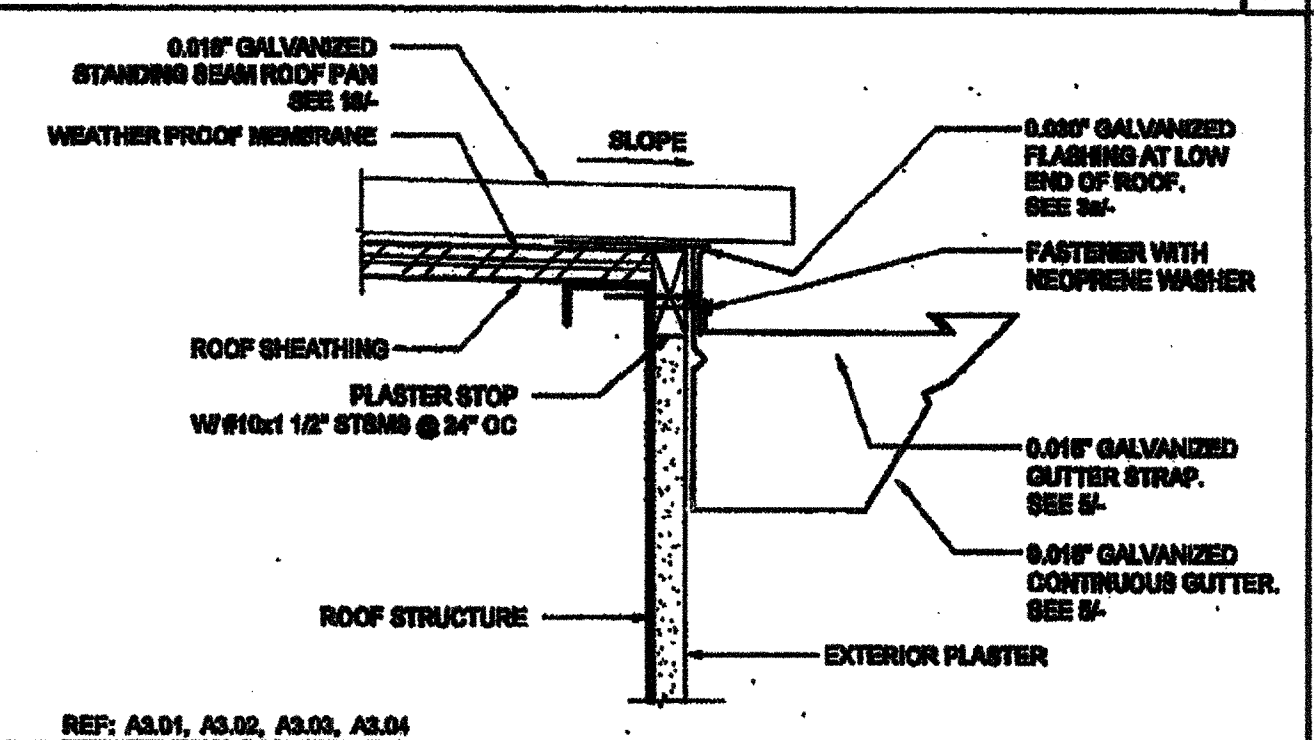
FLASHING AT MODULE LINE WALL SCALE: 3/4"=1'-0" 1a



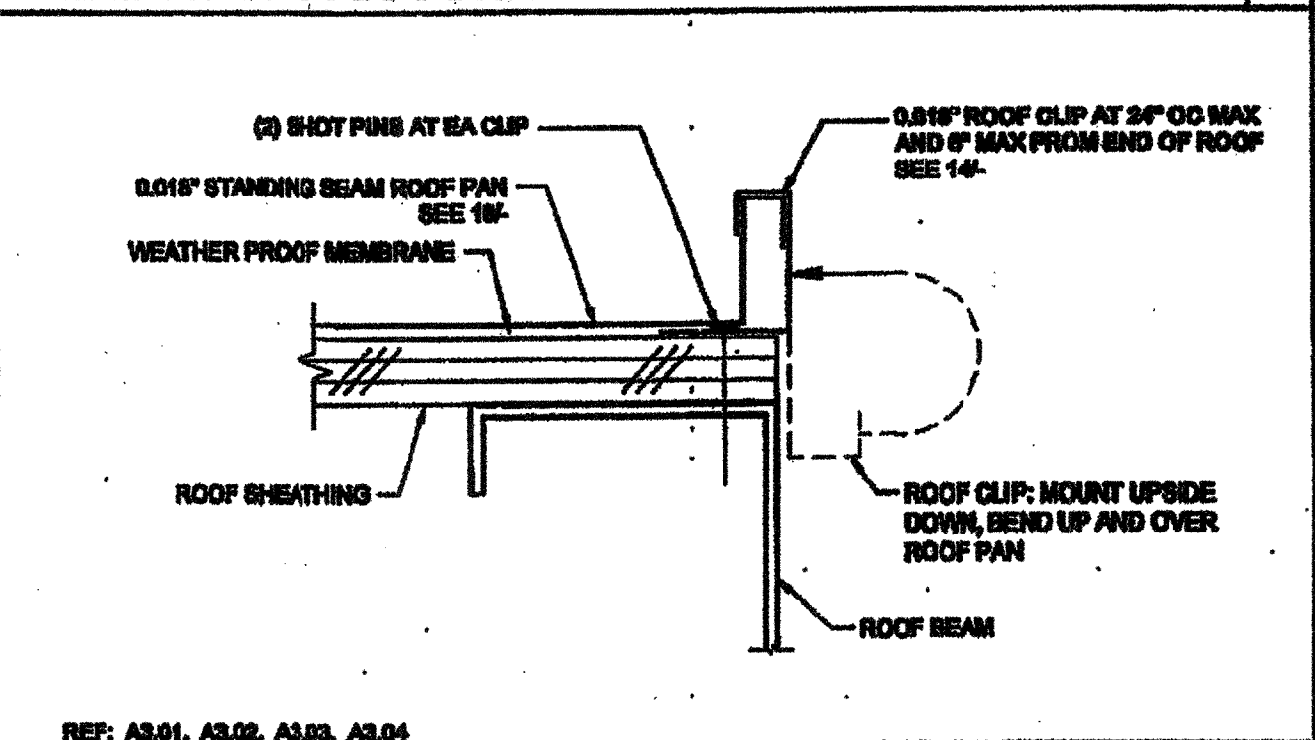
0.018" ROOF CAP AT MODULE LINE SCALE: 3/4"=1'-0" 1b



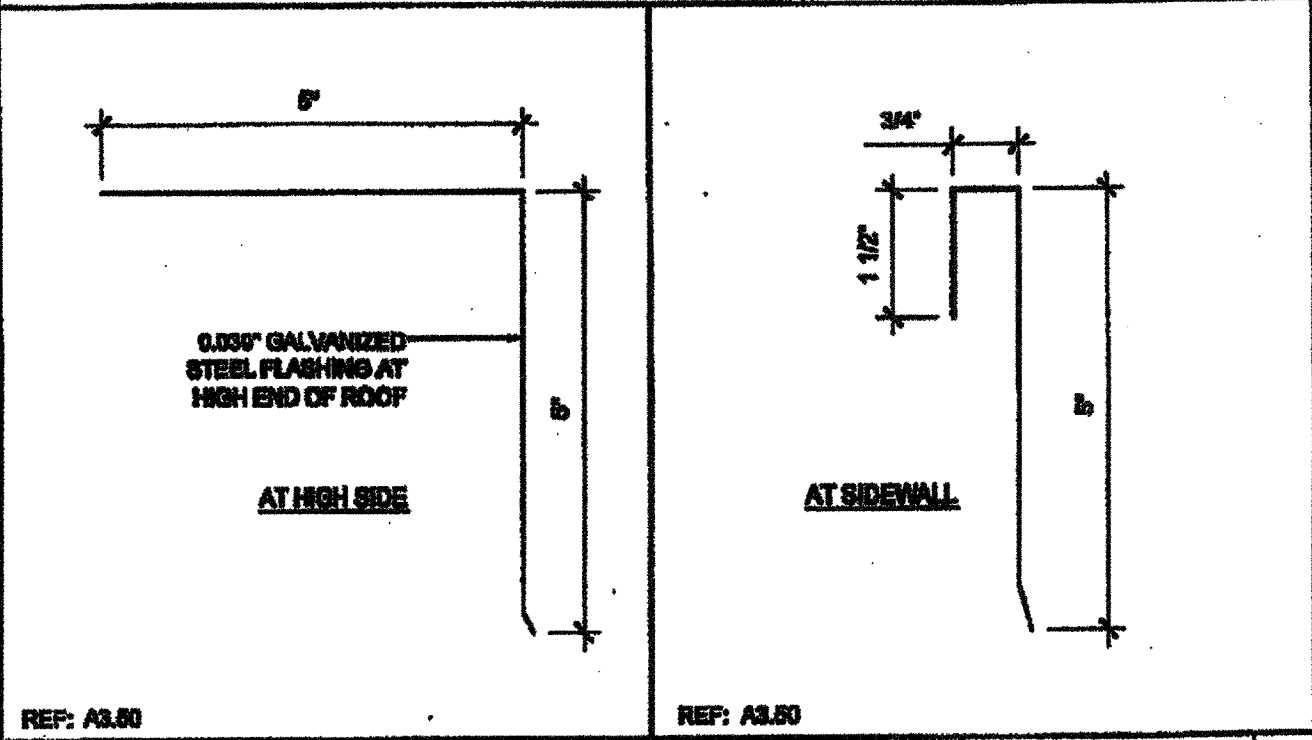
DOWNSPOUT ATTACHMENT SCALE: 3/4"=1'-0" 17



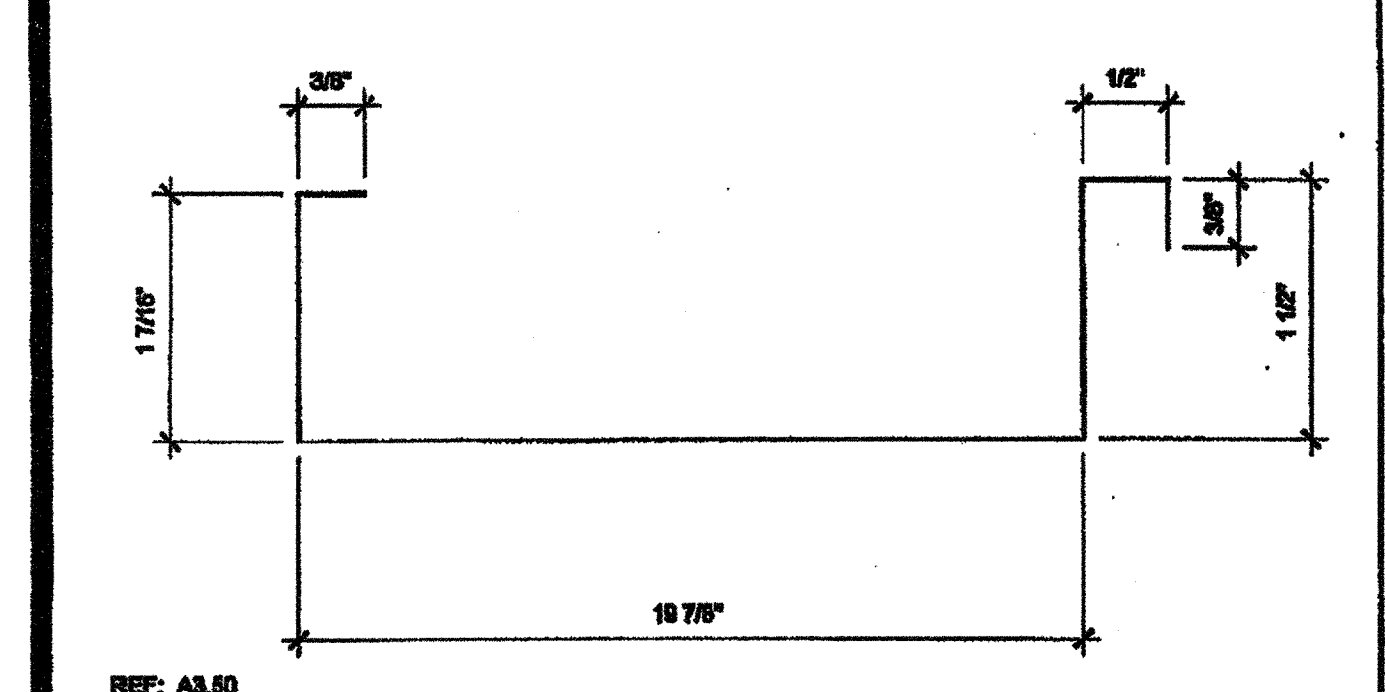
GUTTER AT ROOF FASCIA BEAM SCALE: 3/4"=1'-0" 12



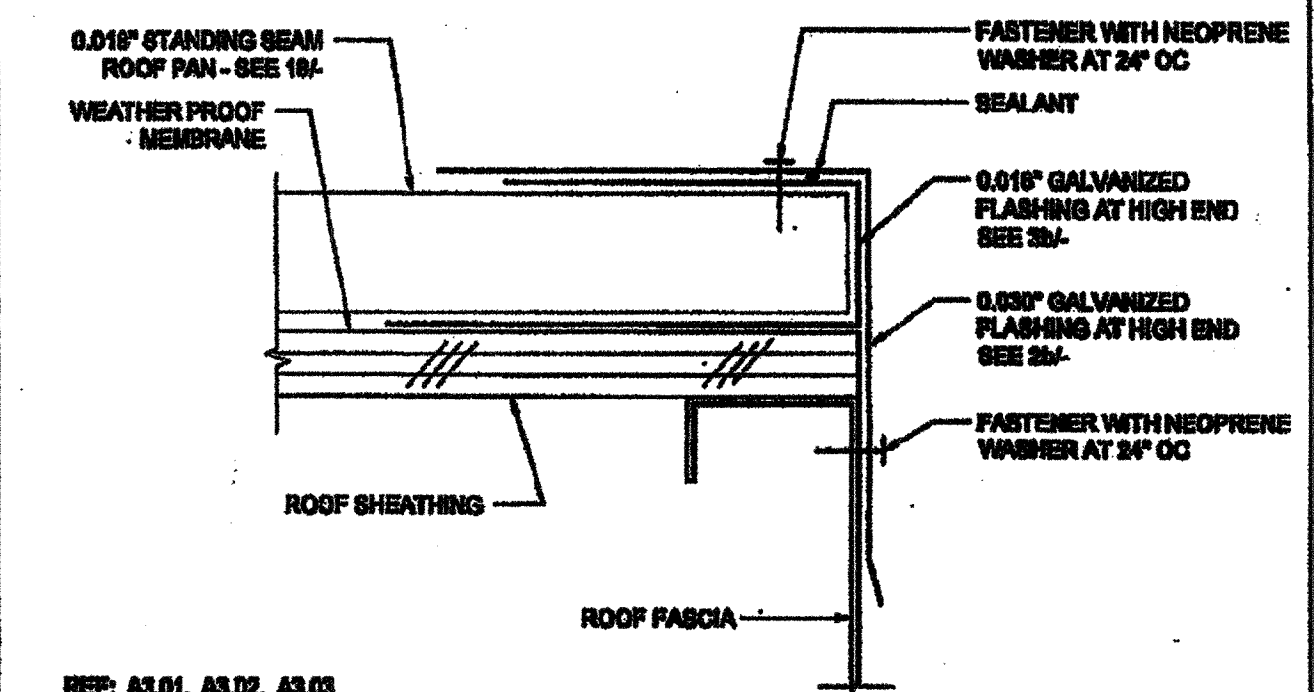
STARTER ROOF PAN CONNECTION SCALE: 3/4"=1'-0" 7



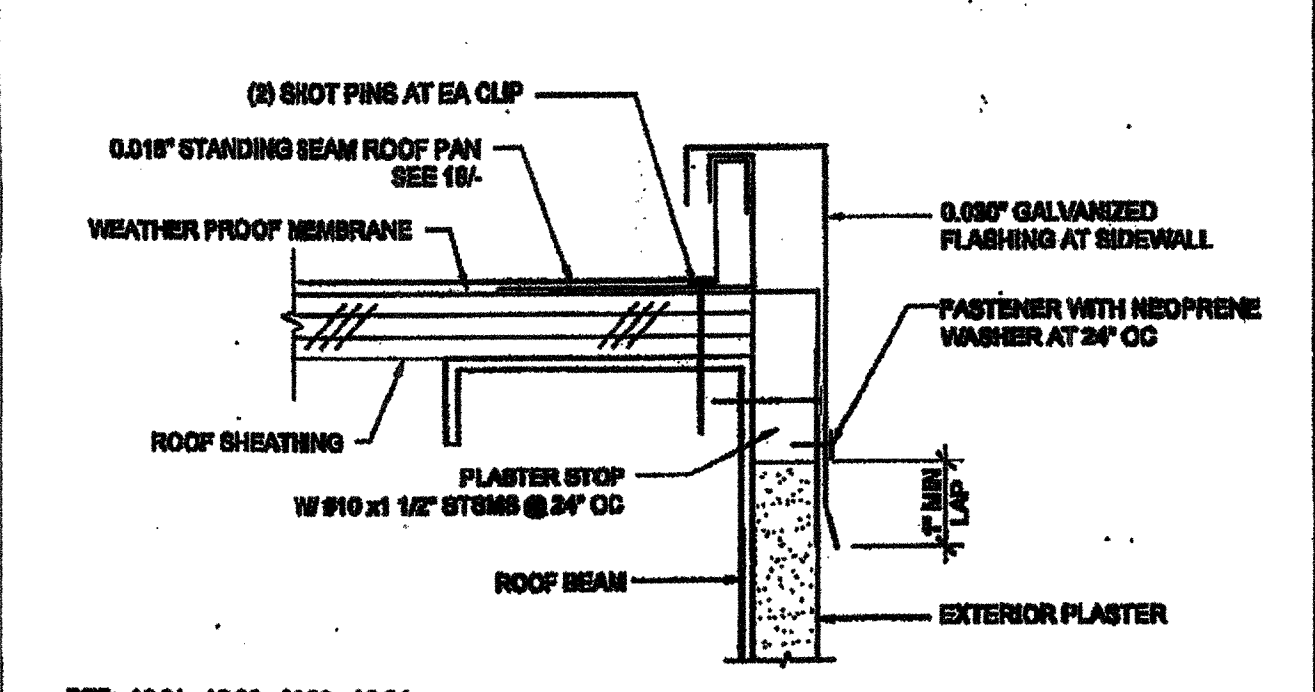
ROOF FLASHING SCALE: 3/4"=1'-0" 2b



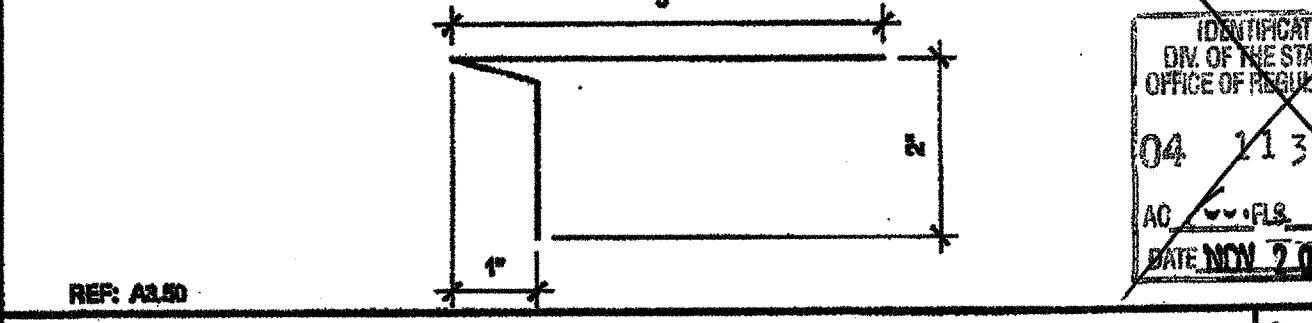
ROOF DECK PROFILE SCALE: 3/4"=1'-0" 18



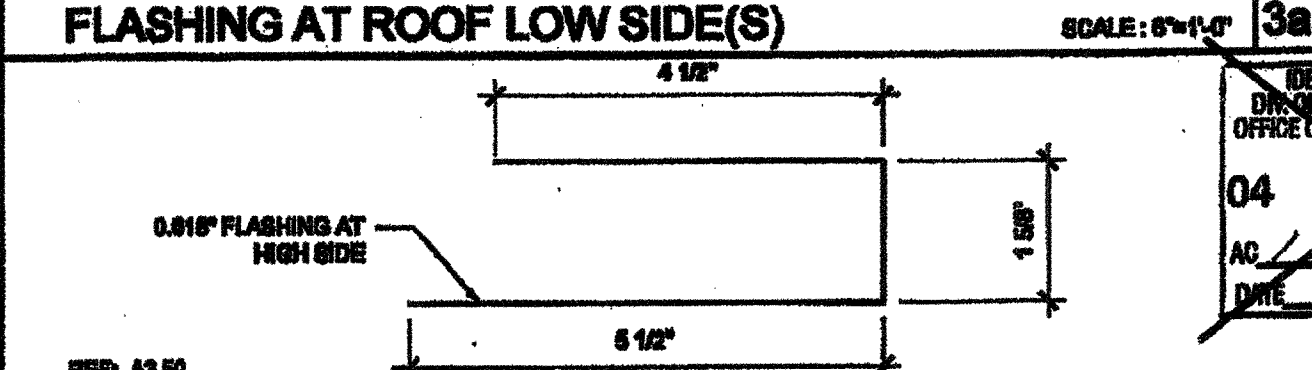
ROOF FLASHING AT HIGH SIDE SCALE: 3/4"=1'-0" 13



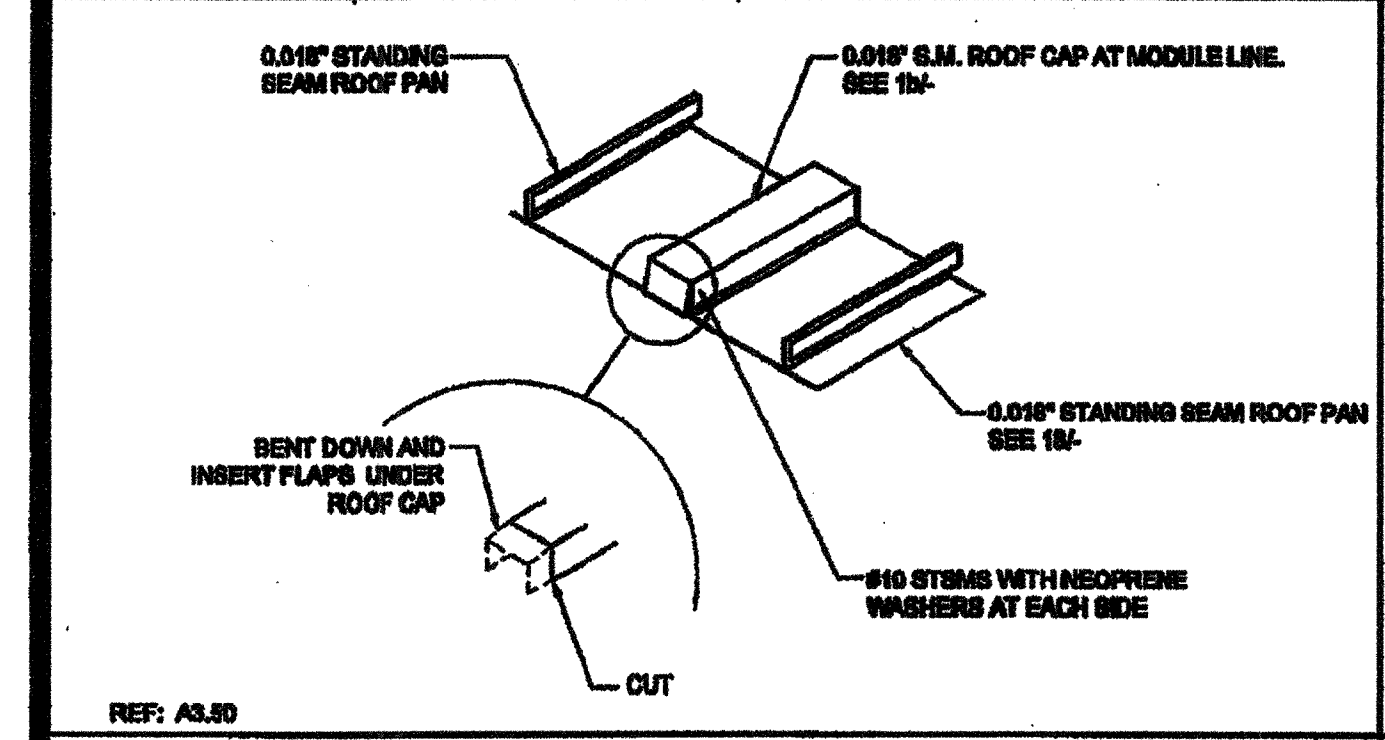
ROOF FLASHING AT SIDEWALL SCALE: 3/4"=1'-0" 8



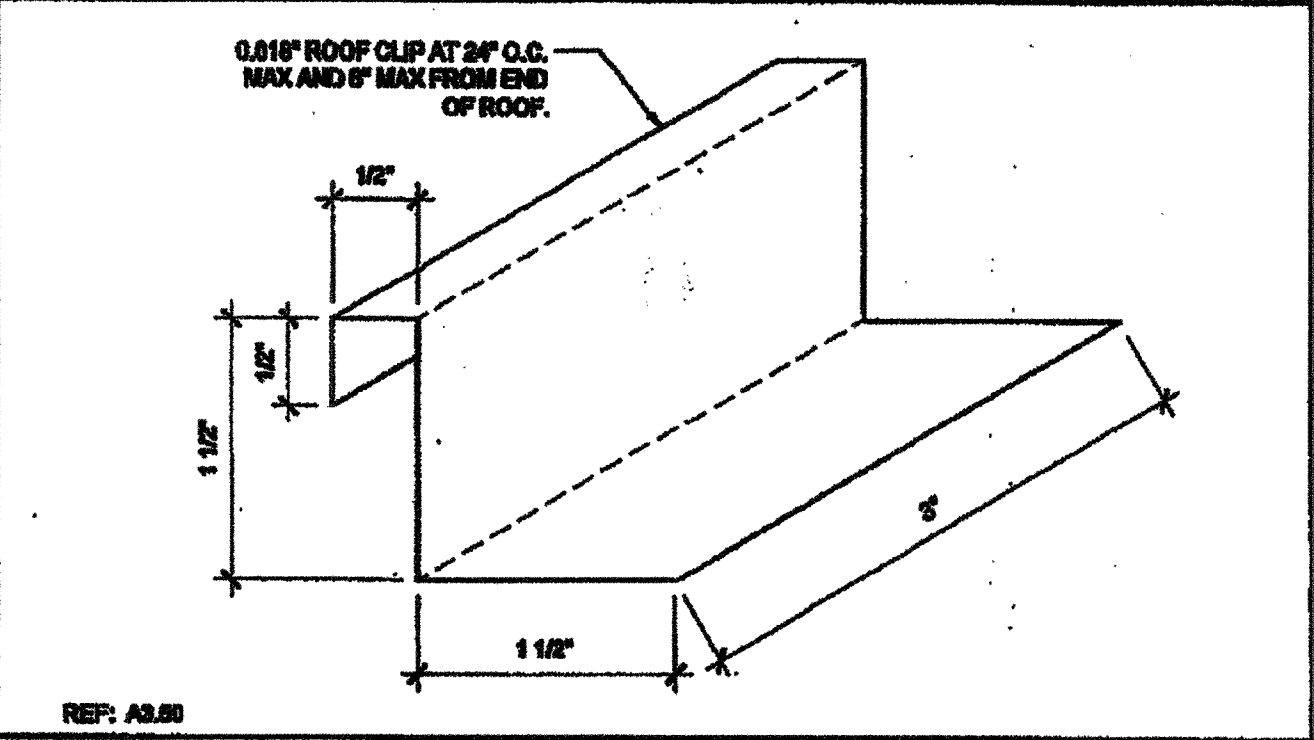
FLASHING AT ROOF LOW SIDE(S) SCALE: 3/4"=1'-0" 3a



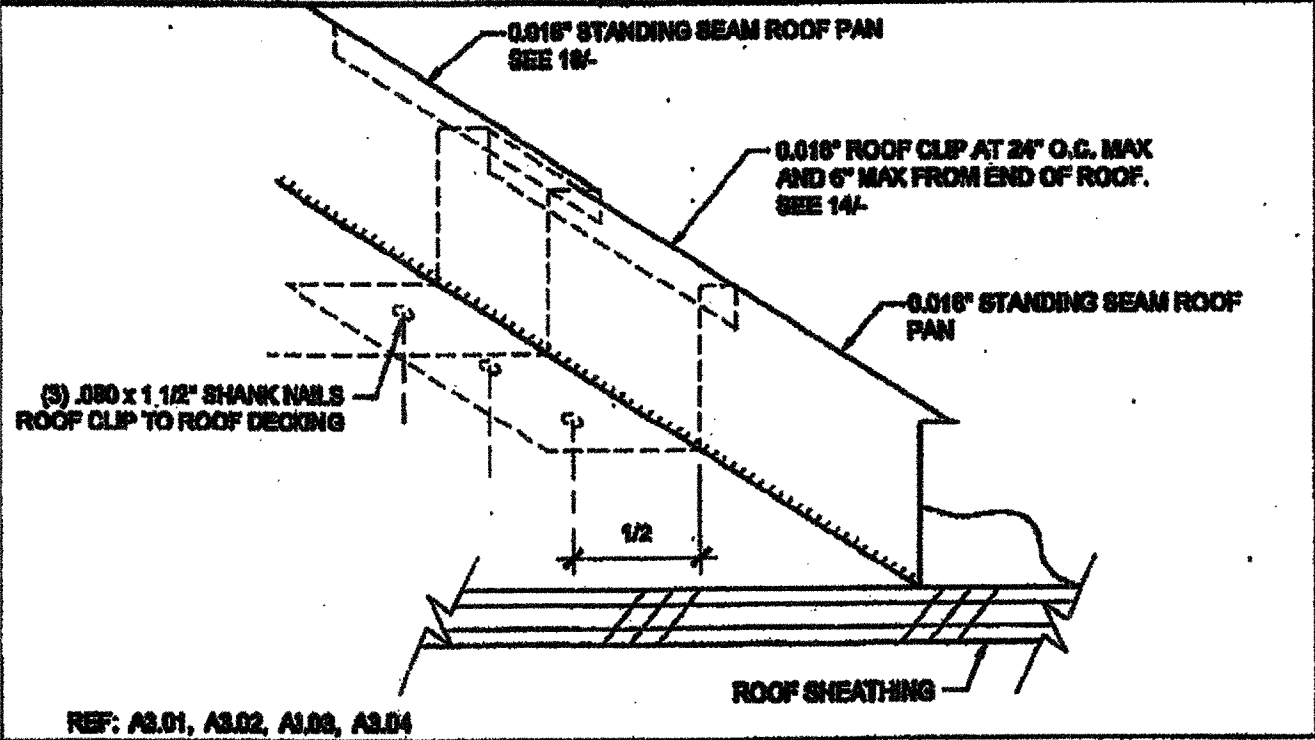
FLASHING AT ROOF HIGH SIDE SCALE: 3/4"=1'-0" 3b



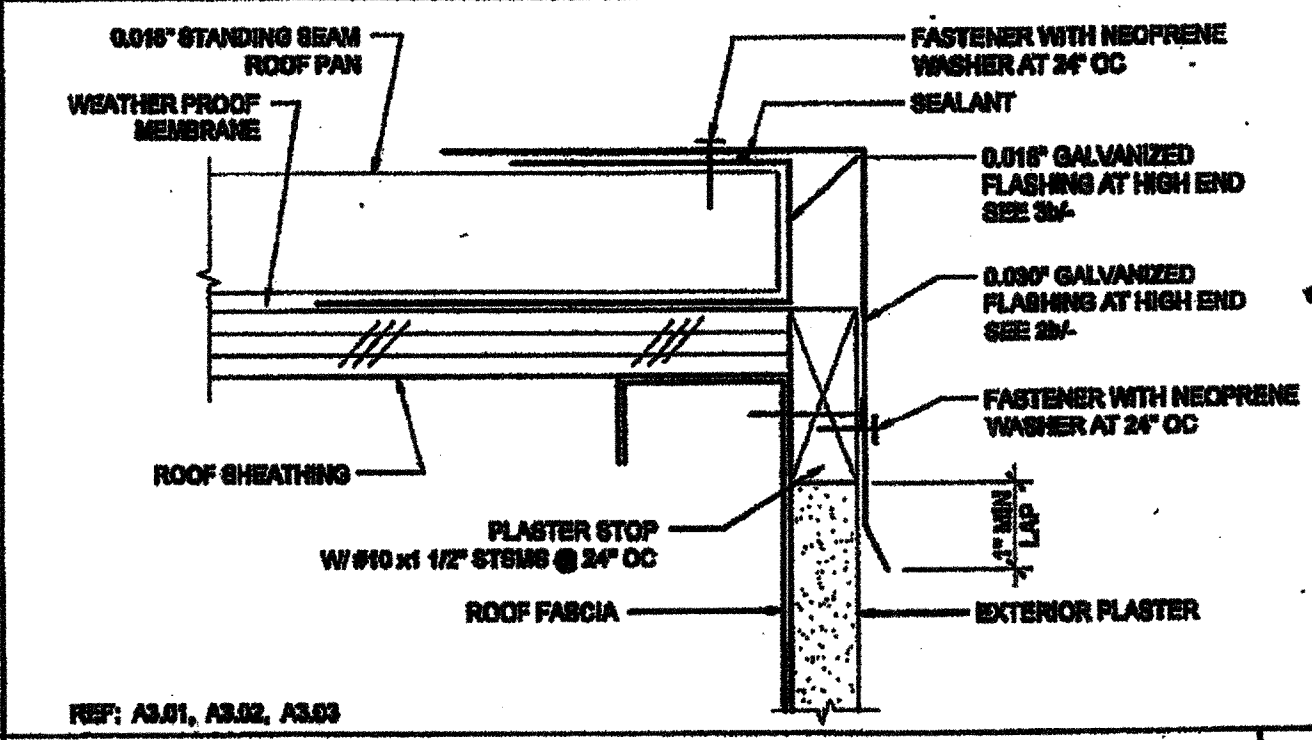
MODULE LINE ROOF CAP SCALE: NTS 19



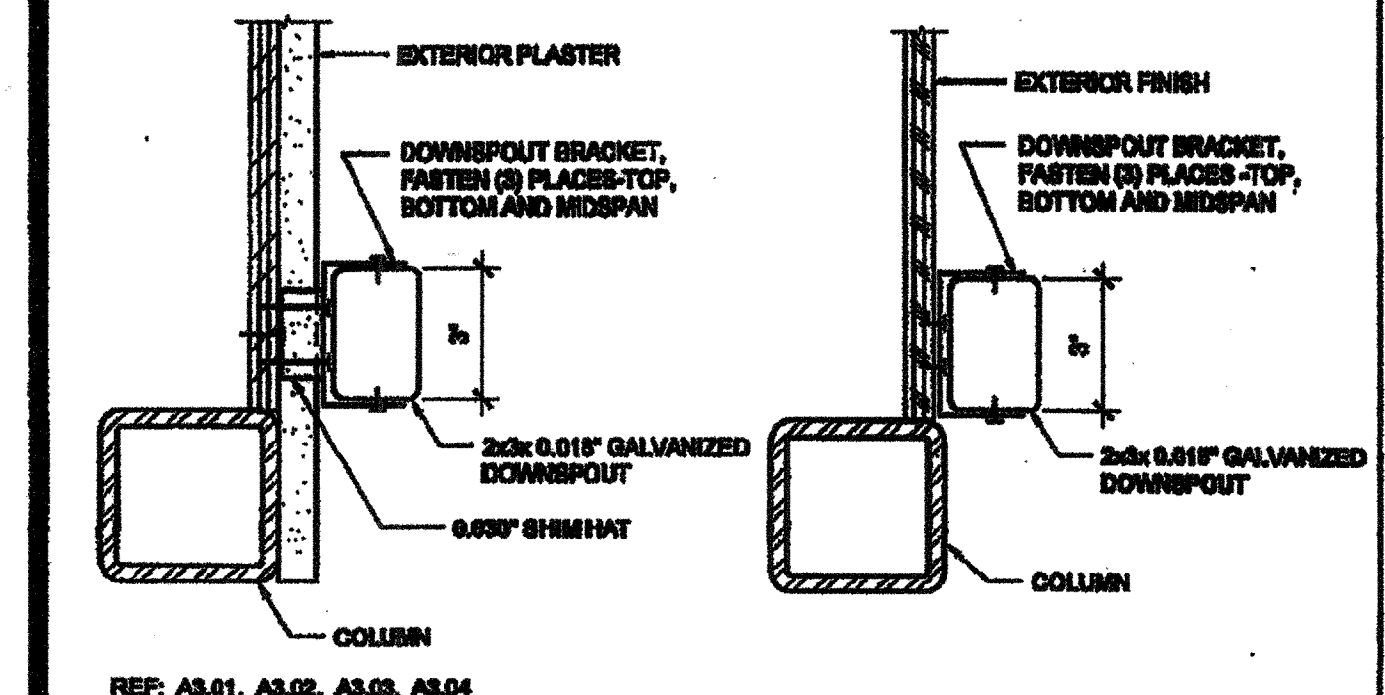
ROOF CLIP SCALE: 1'-0"=1'-0" 14



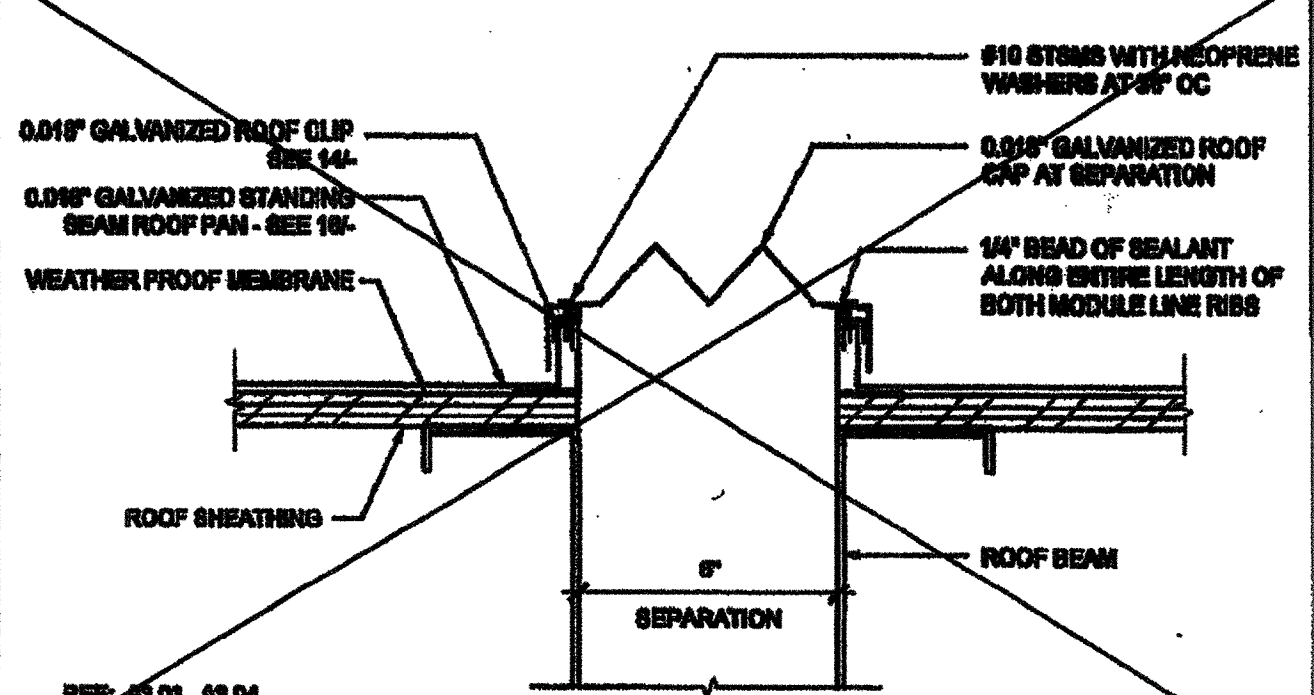
ROOF STANDING SEAM SCALE: NTS 9



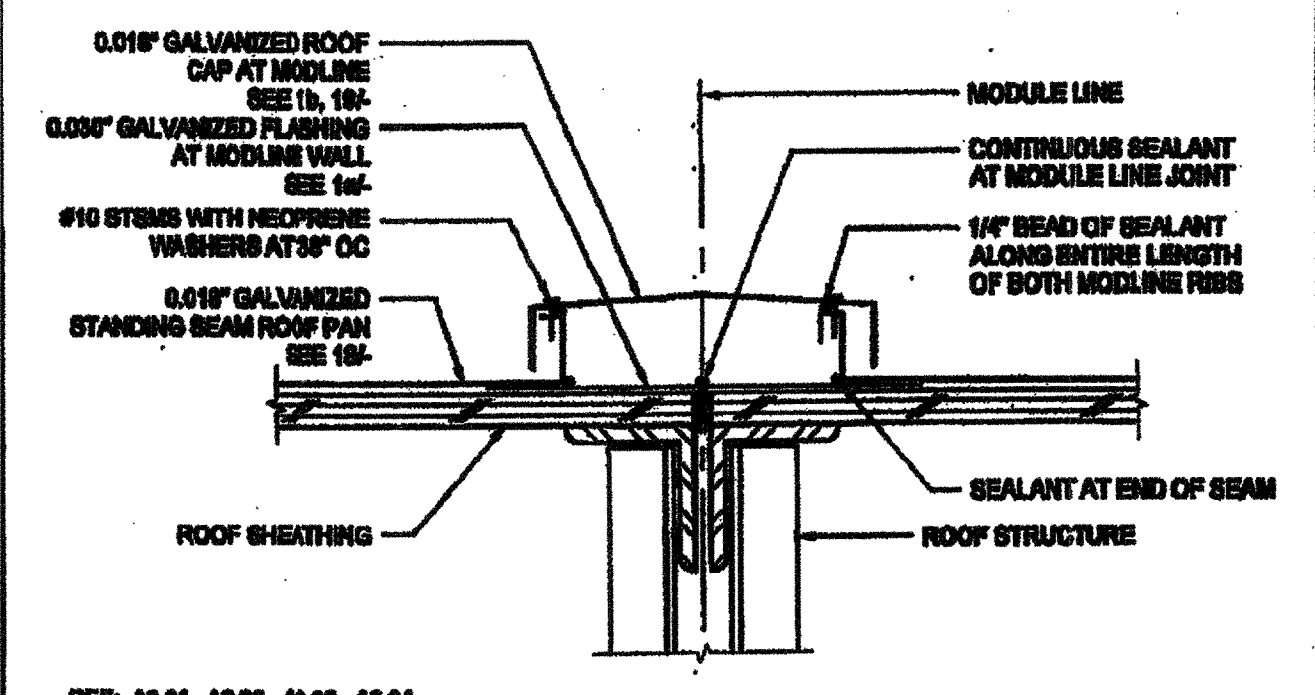
ROOF FLASHING AT HIGH SIDE SCALE: 3/4"=1'-0" 4



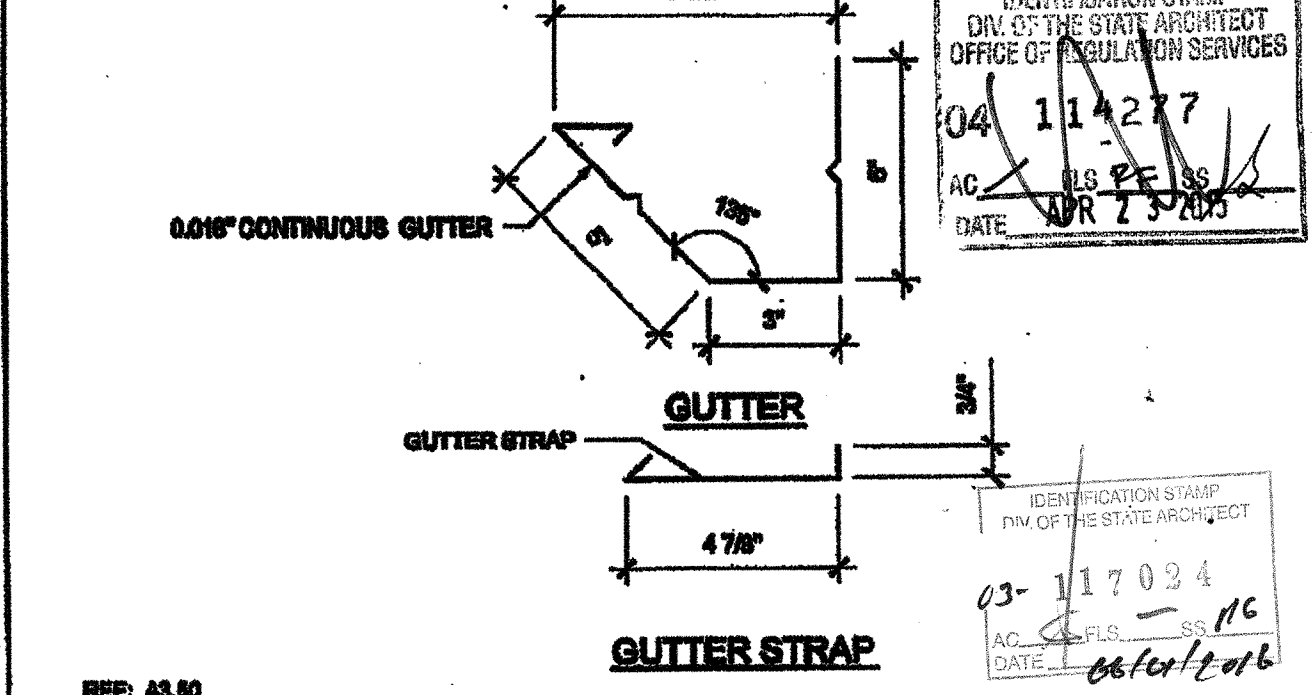
DOWNSPOUT ATTACHMENT SCALE: 3/4"=1'-0" 20



ROOF CAP AT SEPARATION SCALE: 3/4"=1'-0" 15



MODULE LINE ROOF CAP - 0.018" ROOF SCALE: 3/4"=1'-0" 10



0.018" GUTTER AND GUTTER STRAP SCALE: 3/4"=1'-0" 5