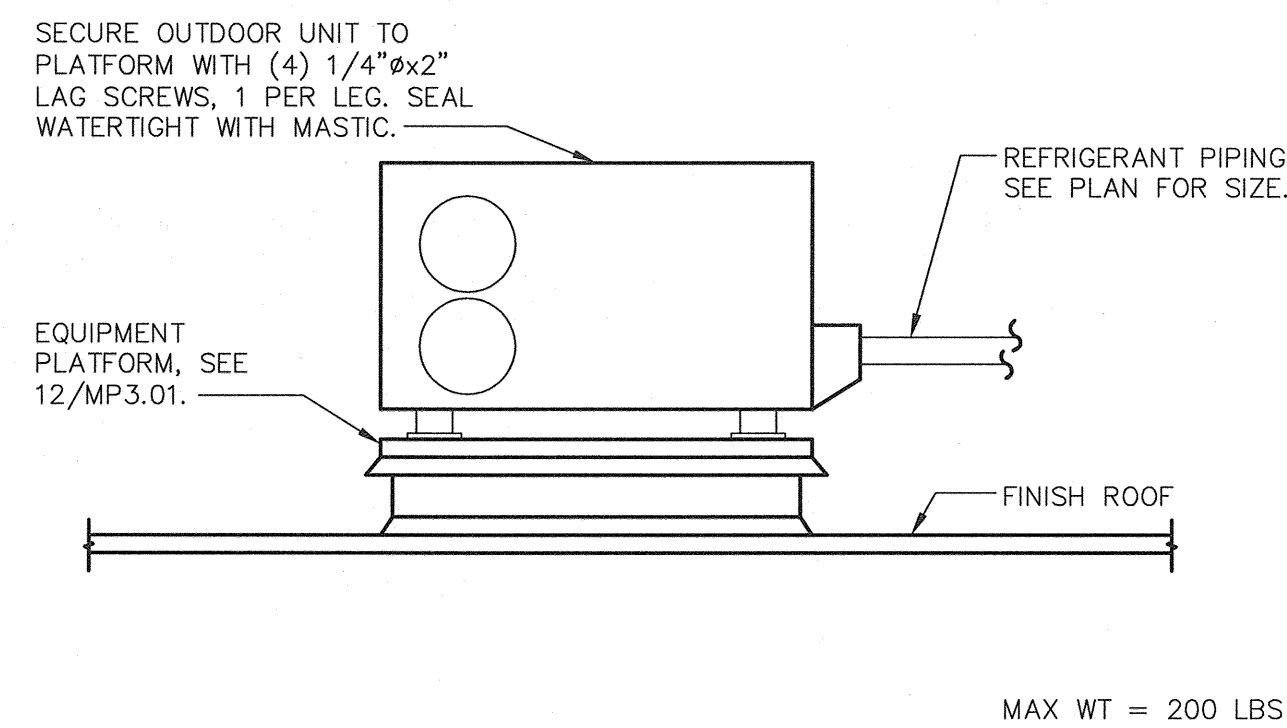
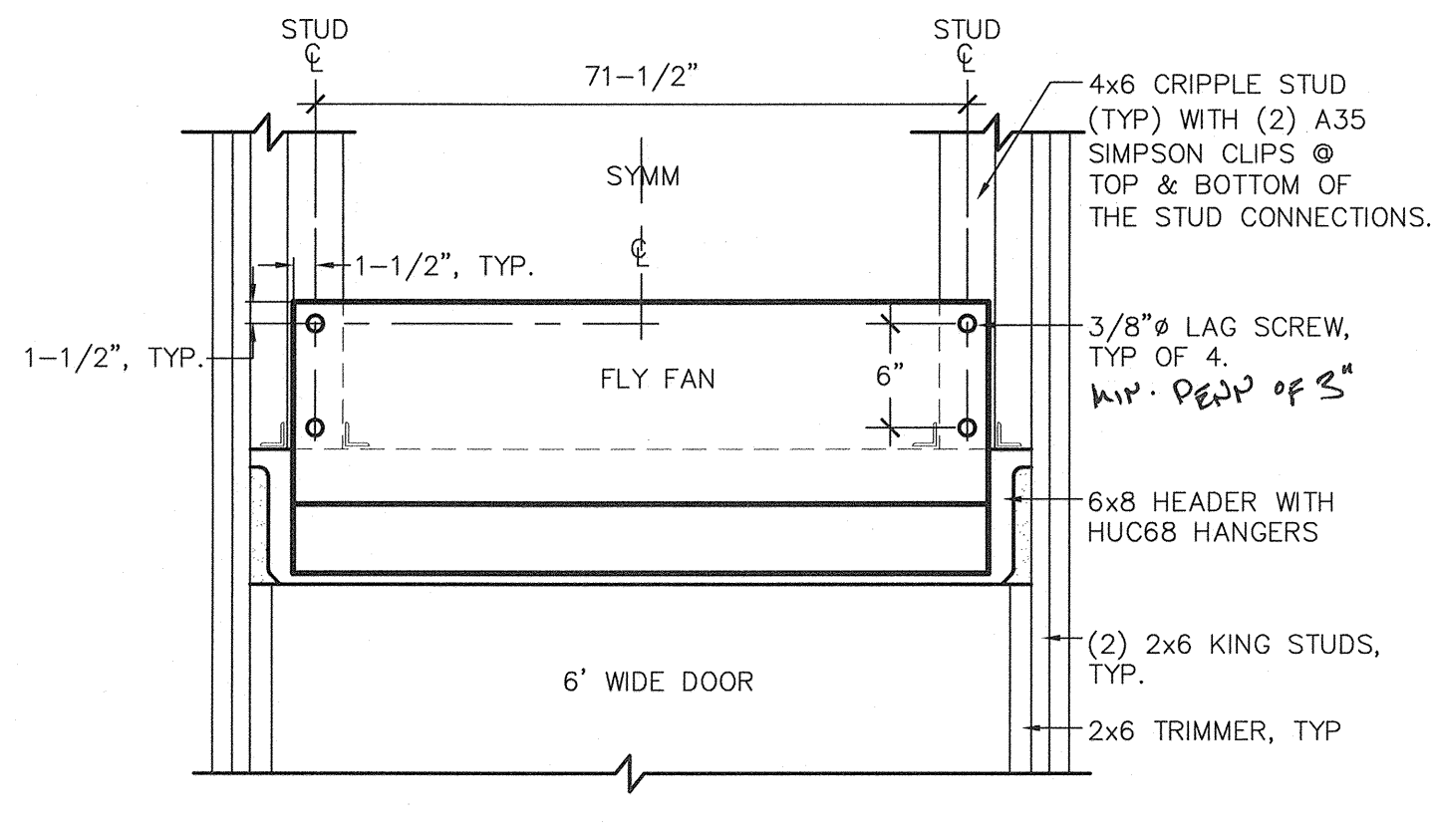


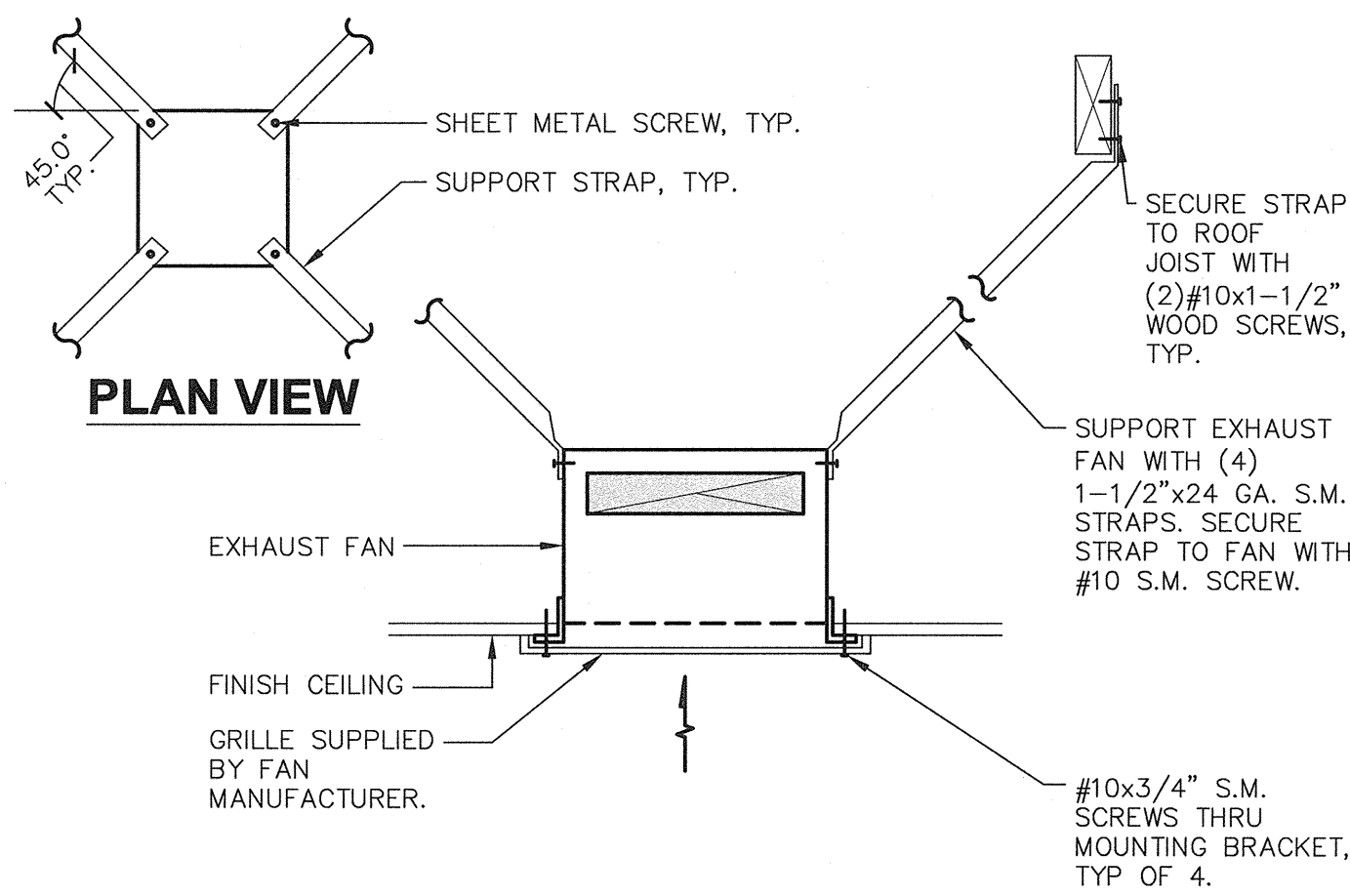
**9 INDOOR UNIT**  
MP3.01 SCALE: N.T.S.



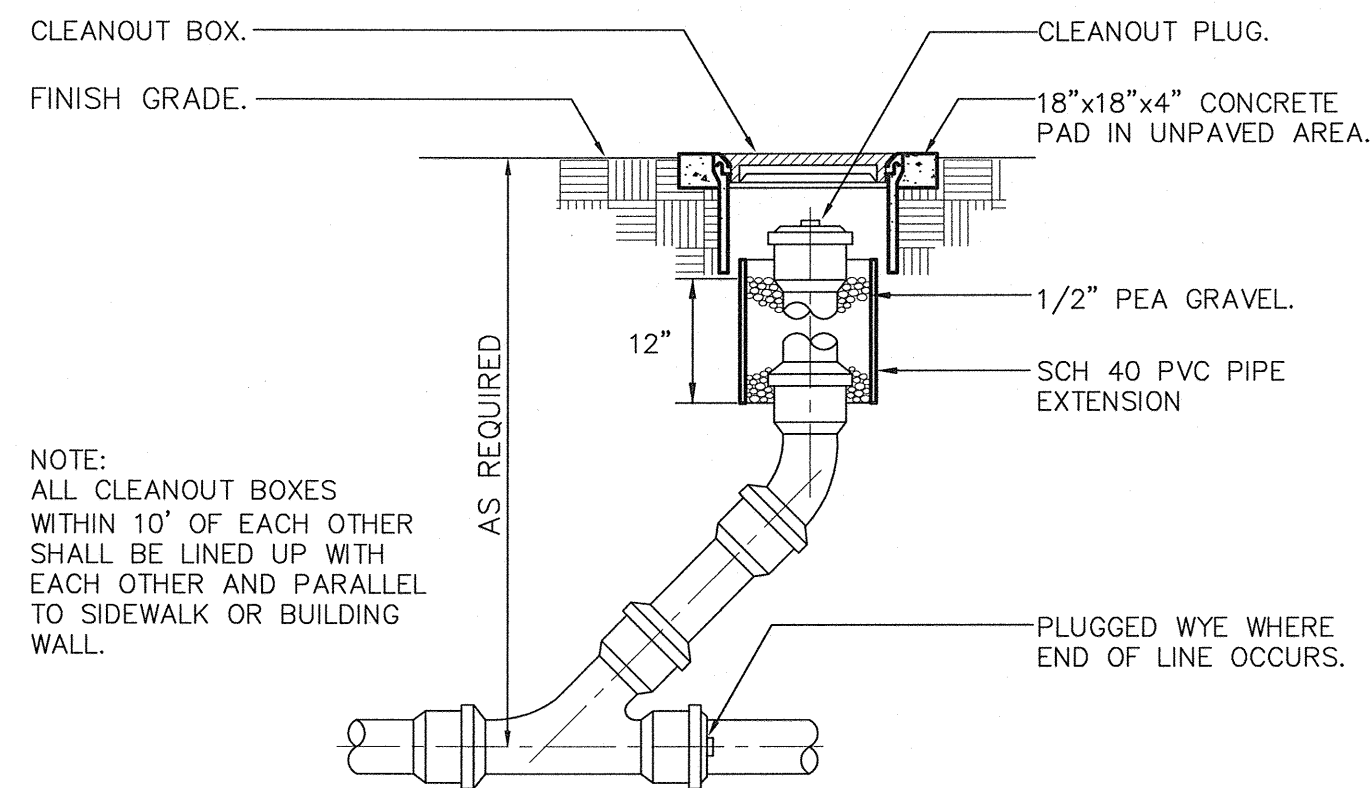
**10 OUTDOOR UNIT**  
MP3.01 SCALE: N.T.S.



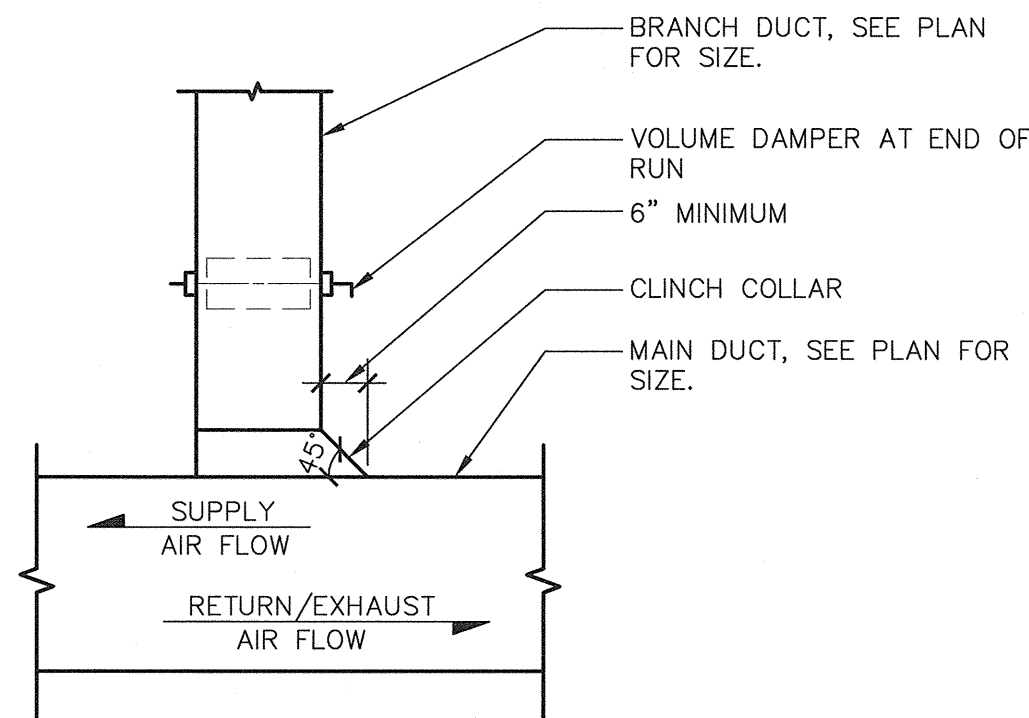
**11 FLY FAN**  
MP3.01 SCALE: N.T.S.



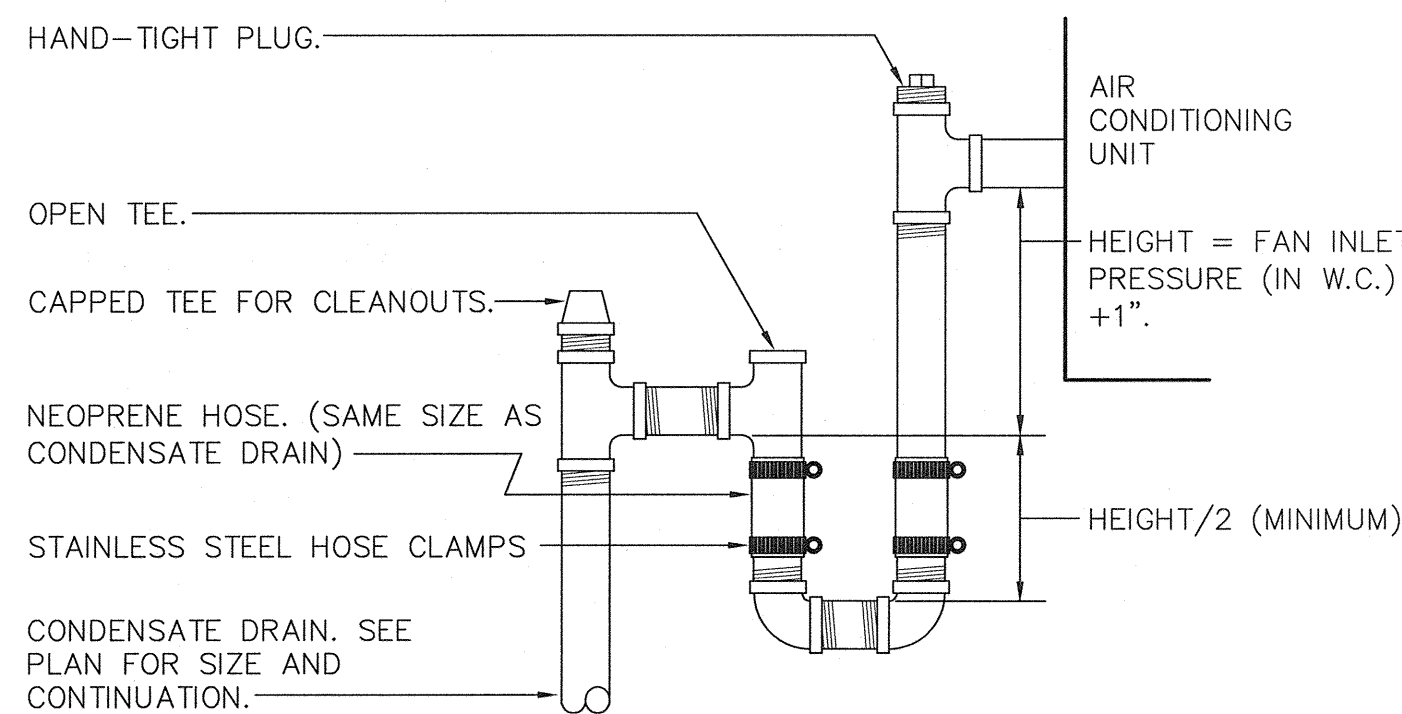
**8 EXHAUST FAN - CEILING**  
MP3.01 SCALE: N.T.S.



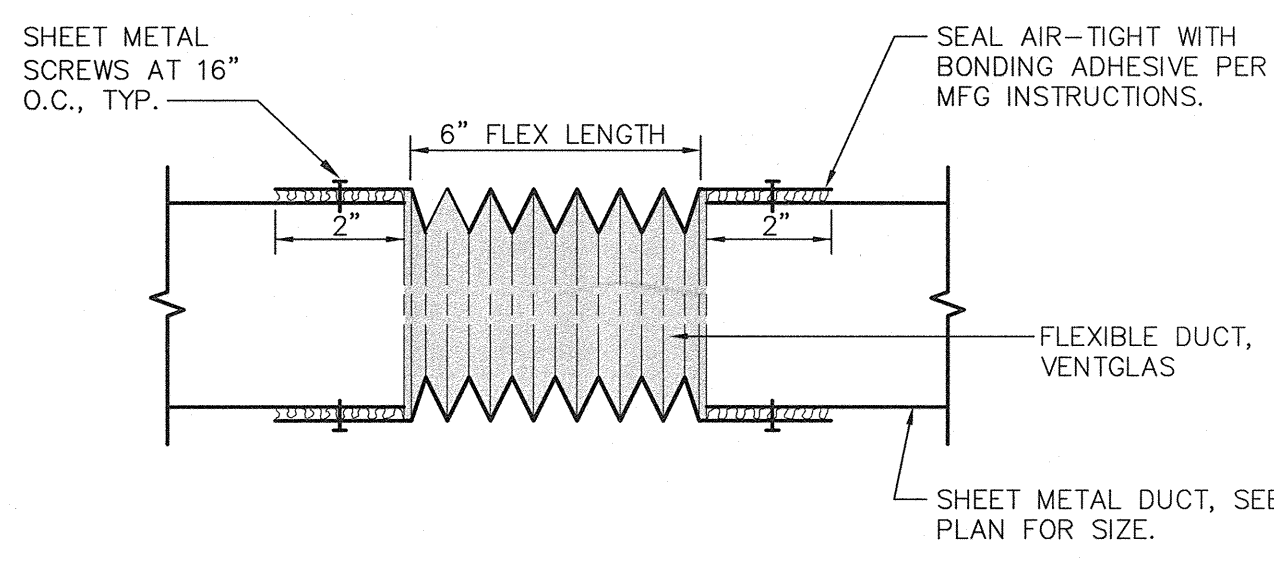
**1 CLEANOUT TO GRADE (COTG)**  
MP3.01 SCALE: N.T.S.



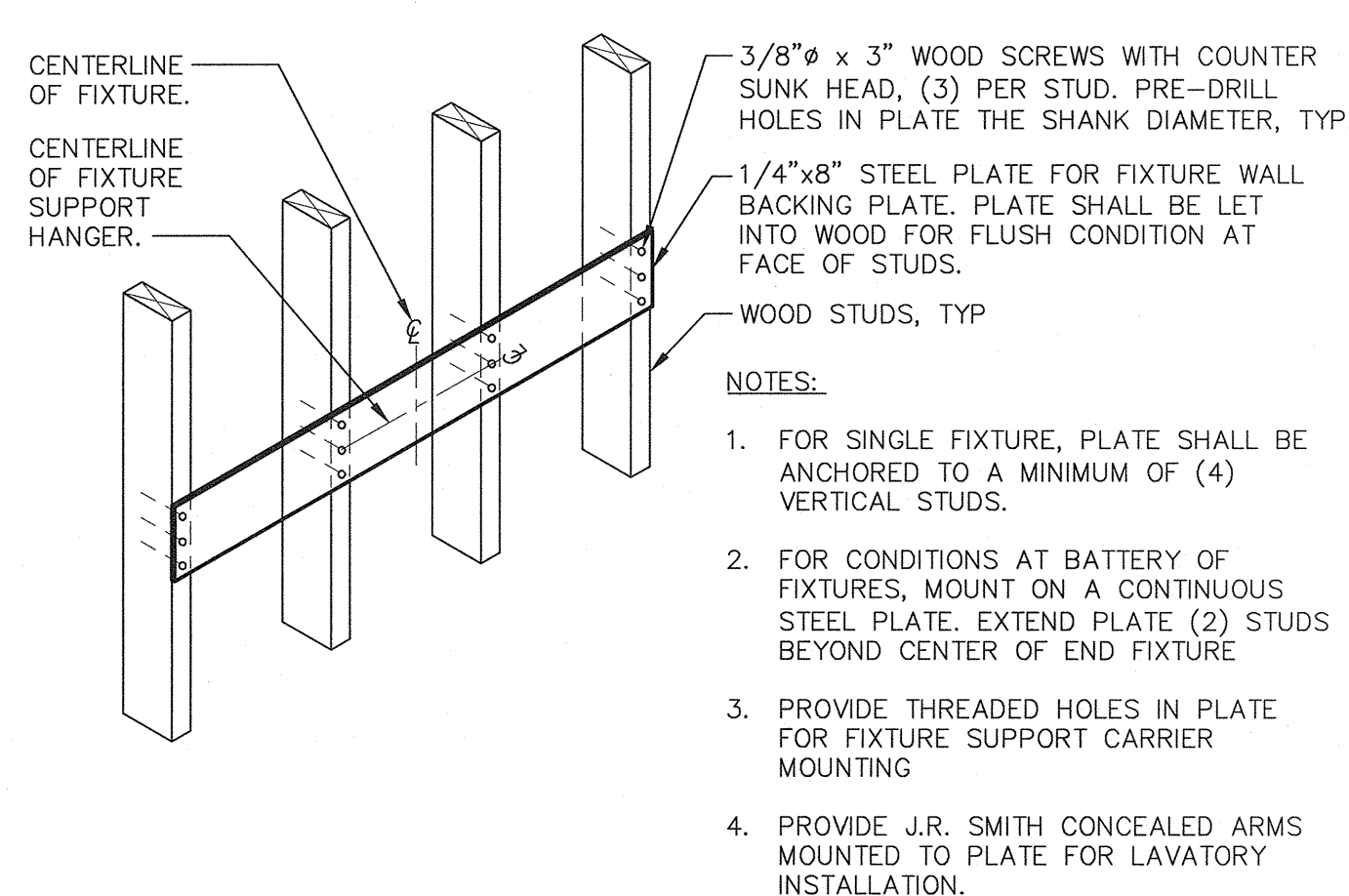
**6 RECTANGULAR DUCT - ANGULAR TAP**  
MP3.01 SCALE: N.T.S.



**2 CONDENSATE DRAIN CONNECTION - DRAW THRU**  
MP3.01 SCALE: N.T.S.



**3 FLEXIBLE DUCT - BLDG SEISMIC JOINT**  
MP3.01 SCALE: N.T.S.



**4 FIXTURE SUPPORT BACKING @ WOOD STUDS**  
MP3.01 SCALE: N.T.S.

MARK	FIXTURE	CONNECTIONS				DESCRIPTION
		CW	HW	W	V	
WC 1	WATER CLOSET ADA	1"	-	4"	2"	KOHLER K-4405 "HIGHLINE", ELONGATED FLOOR MOUNT, 1.28 GPF, SLOAN ROYAL MODEL 111-1.28 FLUSH VALVE WITH HANDLE POINTED TOWARDS WIDE SIDE OF STALL, OLSONITE 950C/SS EXTRA HEAVY DUTY OPEN FRONT SEAT.
L 1	LAVATORY ADA	1/2"	1/2"	2"	1-1/2"	KOHLER K-2005 "KINGSTON", 21"x18" WALL HUNG VITREOUS CHINA WITH 4" CENTERS, MCGUIRE 155A GRID DRAIN, CHICAGO 2200-4E39V/PABCP 0.35 GPM, SINGLE LEVER FAUCET WITH VANDAL PROOF NON-AERATING OUTLET, PROVIDE J.R. SMITH 723 CONCEALED ARMS AND STEEL SUPPORT PLATE FOR FIXTURE MOUNTING. SEE ARCHITECTURAL DRAWINGS FOR ACCESSIBLE MOUNTING HEIGHT.
HB 1	HOSE BIBB	3/4"	-	-	-	WOODFORD MODEL 24-P-BR ROUGH BRASS WALL FAUCET, 3/4HF ANTI-SIPHON VACUUM BREAKER, AND LOOSE TEE KEY.
WHA 1	WATER HAMMER ARRESTER	1/2"	-	-	-	SIoux CHIEF HYDRA-RESTER 652-AS, SEAMLESS COPPER CHAMBER APPROVED FOR CONCEALED INSTALLATION, UP TO 11 FIXTURE UNITS. INSTALL IN UPWARD POSITION.
CW 1	CAN WASH CONTROL BOX	1/2"	1/2"	-	-	J.R. SMITH MODEL 3380 FLUSH MOUNT STAINLESS STEEL BOX WITH KEY LOCK AND PIANO HINGED COVER, CONTROL VALVES, STOPS, VACUUM BREAKER.
FD 1	CAN WASH DRAIN	-	1/2"	3"	2"	J.R. SMITH MODEL 3370-C 12" SQUARE CAST IRON BODY WITH NICKEL BRONZE RIM AND GRATE, BRONZE ADJUSTABLE SPRAY NOZZLE, SEDIMENT BUCKET, FLASHING CLAMP.
WH 1	INSTANTANEOUS WATER HEATER	1/4"	1/4"	-	-	CHRONOMITE MODEL M-30/208 WALL MOUNT INSTANTANEOUS WITH MICROPROCESSOR, PRESET TEMPERATURE OF 110°F, 1 GPM FLOW RATE. ELEC: 208V, 1 PH, 6240 WATTS.

MARK	LOCATION	DESCRIPTION
A	WALL EXHAUST	RUSKIN ELF6375DX DRAINABLE STATIONARY LOUVER, 6" DEEP FRAME AND BLADES OF EXTRUDED ALUMINUM, BIRD SCREEN, PRIME COAT FOR PAINTING.
B	WALL COMBUSTION AIR	RUSKIN ELF6375DX DRAINABLE STATIONARY LOUVER, 6" DEEP FRAME AND BLADES OF EXTRUDED ALUMINUM, BIRD SCREEN, PRIME COAT FOR PAINTING.

MARK	DESCRIPTION
CFM	145
MINIMUM OSA (CFM)	0
VOLTS/PHASE	208/1
DRIVE	DIRECT
TOTAL (MBH)	9.0
EADB/EAWB (°F)	80 / 67
AMBIENT (°F)	95
REFRIGERANT	R410A
CONDENSATE CONN	5/8"
SEER	21.0
CAPACITY (MBH)	10.9
KW	0.76
HSPF	10.0
QUANTITY/SIZE	
TYPE	
PD (IN WC)	

MARK	DESCRIPTION
VOLTS/PHASE	208/1
COOLING CAP (MBH)	9.0
HEATING CAP (MBH)	10.9
AMBIENT (°F)	95
SEER/COP AT ARI	21.0 / -
HSPF	10.0
REFRIGERANT	R410A
LIQUID LINE SIZE (IN)	1/4"
SUCTION LINE SIZE (IN)	3/8"
MANUFACTURER	MITSUBISHI
TYPE	HEAT PUMP
MODEL NUMBER	MUZ-GE09NA
SERVICE	DRY STORAGE
OP WT (LBS)	66
ACCESSORIES	-

MARK	DESCRIPTION
CFM	85
ESP (IN WC)	0.125
HP/BHP/WATTS	- / - / 49.7
VOLTS/PHASE	115/1
RPM	700
TIP SPEED	-
SONES	2.0
DRIVE	DIRECT
MOUNTING	CEILING

MARK	DESCRIPTION
CFM	5100
DOOR WIDTH	72"
MOTOR QUANTITY/HP	2 / 0.5
VOLTS/PHASE	115/1
SOUND (DBA AT 10')	68
DRIVE	DIRECT
MOUNTING	WALL
MANUFACTURER	MARS
TYPE	
MODEL NUMBER	STD72-2U
CONTROL	1
SERVICE	SEE PLANS
OP WT (LBS)	145
ACCESSORIES	1

MARK	DESCRIPTION
CFM	5100
DOOR WIDTH	72"
MOTOR QUANTITY/HP	2 / 0.5
VOLTS/PHASE	115/1
SOUND (DBA AT 10')	68
DRIVE	DIRECT
MOUNTING	WALL
MANUFACTURER	MARS
TYPE	
MODEL NUMBER	STD72-2U
CONTROL	1
SERVICE	SEE PLANS
OP WT (LBS)	145
ACCESSORIES	1

Ownership of Documents  
This document, the ideas and designs incorporated herein, as an instrument of Professional Service is the property of Integrated Designs by SOMAM Inc. and is not to be used, in whole or in part for any other project without written authorization.  
© COPYRIGHT 2012

**integrated designs** by SOMAM, Inc.  
ARCHITECTURE • ENGINEERING • INTERIOR DESIGN • CONSTRUCTION MANAGEMENT  
6011 N. Fresno, Suite 130 - Fresno, California 93710  
Phone (559) 438-0881 Fax (559) 438-0887 E-mail: design@somam.com  
www.integrateddesigns.com

**SCHEDULES AND DETAILS**

Project Name & Address:  
**MT. VERNON ELEMENTARY SCHOOL KITCHEN ADDITION**  
BAKERSFIELD CITY SCHOOL DISTRICT  
2161 POTOMAC AVENUE BAKERSFIELD CA, 93311

Issue Date: 07/20/12  
Date: 07/31/12  
Designer: [Signature]  
DR: [Signature]  
PC: CJM

Agency Approval Stamp:  
FILE # 15-6  
IDENTIFICATION STAMP  
DIV. OF THE STATE ARCHITECT  
OFFICE OF REGULATION SERVICES  
03-114521  
AC: [Signature]  
DATE: 8/1/12  
TRACKING #: 63321-118

Stamp(s):  
REGISTERED PROFESSIONAL ARCHITECT  
STATE OF CALIFORNIA  
No. 13342  
Exp. 6-30-14

Job No.: **3990**  
Sheet No.: **MP3.01**  
Release: -  
CURTIS MCNALLY