

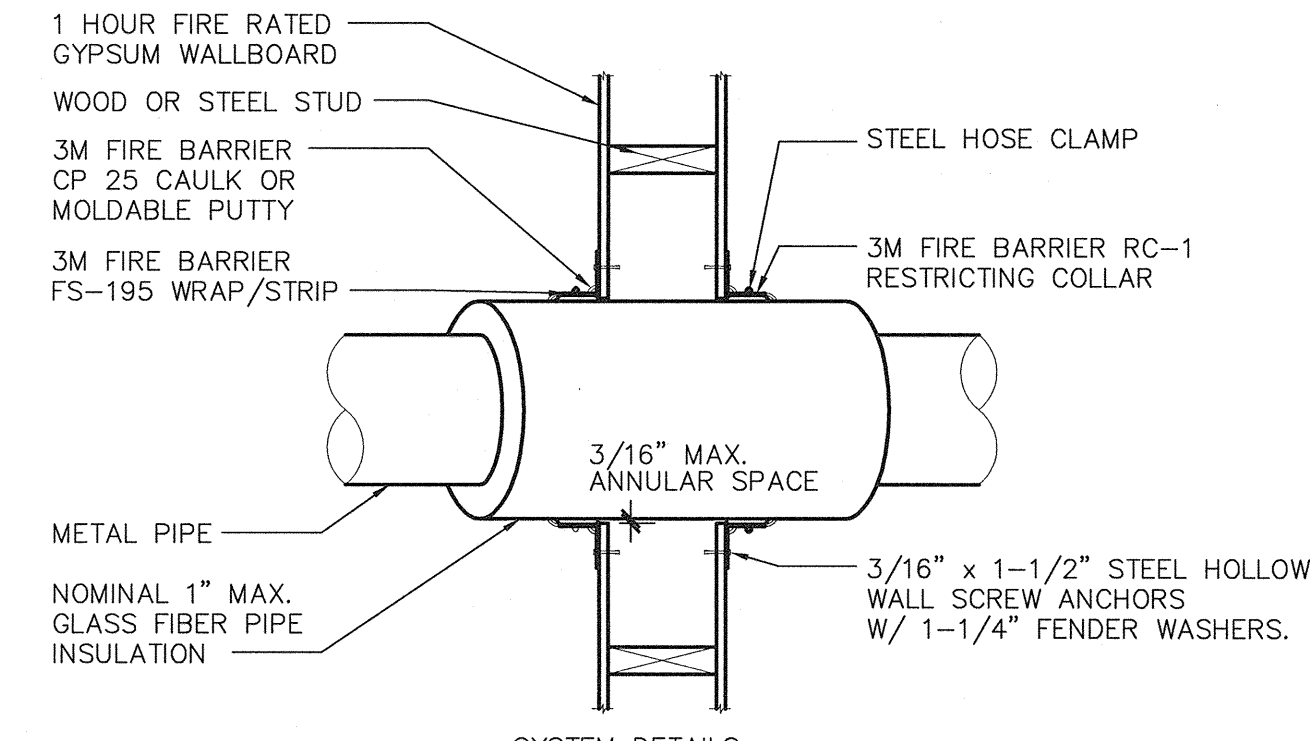
- DRAWING NO.: 5300-PPG26.03
- SYSTEM JUSTIFICATION: UL THROUGH-PENETRATION FIRESTOP SYSTEM NO. W-L-2003, CONFIGURATION B, PER ASTM E 814 (ANSI/UL 1479) FIRE TEST.
- ASSEMBLY: 1 HR. RATED GYPSUM WALLBOARD/STUD WALL ASSEMBLY.
- RATINGS: F - 1 HR., T - 1 HR.
- PENETRATING ITEM(S):
 - NOMINAL 2-IN. DIAMETER (OR SMALLER) SCH. 40 (OR HEAVIER) PVC PIPE IN CLOSED OR VENTED SYSTEM
 - NOMINAL 2-IN. DIAMETER (OR SMALLER) SDR11 (OR HEAVIER) POLYBUTYLENE (PB) PIPES IN CLOSED CLOSED OR VENTED SYSTEM.
 - NOMINAL 2-IN. DIAMETER (OR SMALLER) SCH40 (OR HEAVIER) POLYPROPYLENE (PP) PIPE IN CLOSED CLOSED OR VENTED SYSTEM.

APPLICATION DETAILS

- INSTALL THE FIRESTOP SYMMETRICALLY ON BOTH SIDES OF THE WALL ASSEMBLY.
- THE ANNULAR SPACE AROUND THE PIPE, PRIOR TO THE INSTALLATION OF THE 3M FIRE BARRIER FS-195 WRAP/STRIPS, SHALL BE 1/4 INCH TO 3/8 INCH. IF THE ANNULAR SPACE AROUND THE PIPE IS GREATER THAN 1/4 IN. AFTER THE APPLICATION OF THE FS-195 WRAP/STRIPS, INSTALL ADDITIONAL FS-195 WRAP/STRIPS UNTIL THE ANNULAR SPACE IS LESS THAN 1/4 INCH.
- WHEN USING 3M FIRE BARRIER CP25N/S CAULK FOR SEALING PRESSURIZED PIPE PLACE A WRAP OF FOIL TAPE IN THE CAULK CONTACT AREA. NO FOIL BARRIER IS NECESSARY WHEN USING CP25WB CAULK OR MOLDABLE PUTTY
- TIGHTLY WRAP THE FS-195 WRAP/STRIP AROUND THE PLASTIC PIPE FOIL SIDE OUT. SECURE WITH TAPE OR STEEL TIE WIRE
- SLIDE TH FS-195 WRAP/STRIP INTO THE OPENING LEAVING APPROXIMATELY 3/4 INCH EXPOSED BEYOND THE WALL SURFACE
- SEAL THE SYSTEM WITH A 1/4 INCH BED OF 3M FIRE BARRIER CP 25 CAULK OR MOLDABLE PUTTY AT THE WALL/FS-195 WRAP/STRIP INTERFACE AND TH PIPE/FS-195 WRAP/STRIP INTERFACE.

10 PLASTIC PIPE / CONDUIT PENETRATIONS THROUGH 1-HR RATED WALLS (2" MAXIMUM DIAMETER)

A8.03 EDW240-08 U.L. ASSEMBLY NO. WL2003 SCALE: 1' = 1'-0"



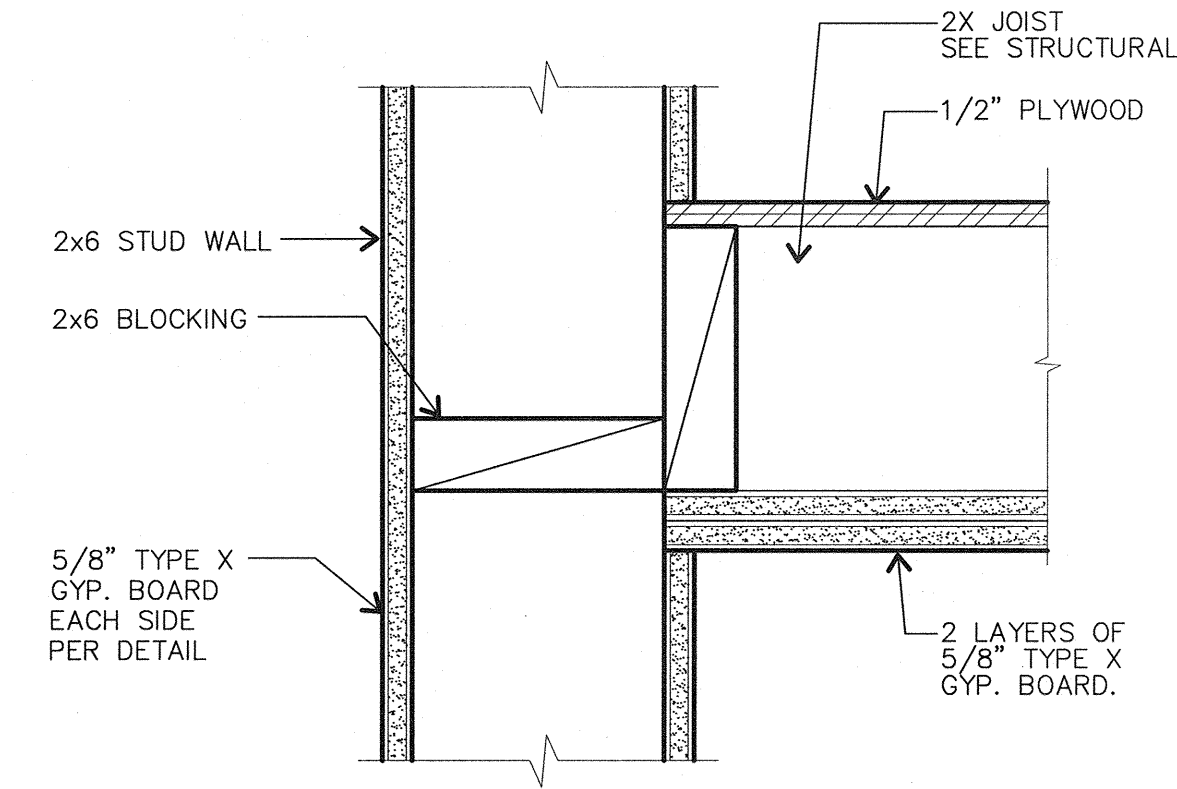
- DRAWING NO.: 5300-IPG25.05
- SYSTEM JUSTIFICATION: UL THROUGH-PENETRATION FIRESTOP SYSTEM NO. W-L-5002, CONFIGURATION C, PER ASTM E 814 (ANSI/UL 1479) FIRE TEST.
- ASSEMBLY: 1 HR. RATED GYPSUM WALLBOARD/STUD WALL ASSEMBLY. STEEL PIPES OR CONDUITS LARGER THAN NOMINAL 4-IN. DIAMETER MAY ONLY BE USED IN WALLS CONSTRUCTED USING STEEL CHANNEL STUDS.
- RATINGS: F - 1 HR., T - 1 HR.
- PENETRATING ITEM(S): NOMINAL 4-IN. DIAMETER (OR SMALLER) SCH. 10 (OR HEAVIER) STEEL PIPE WITH A NOMINAL 1-IN. GLASS FIBER PIPE COVERING INSULATION.

APPLICATION DETAILS

- INSTALL THE FIRESTOP SYMMETRICALLY ON BOTH SIDES OF THE WALL ASSEMBLY.
- MINIMUM ANNULAR SPACE REQUIREMENTS IS 0 IN. MAXIMUM ANNULAR REQUIREMENT IS 3/16 IN.
- TIGHTLY WRAP THE 3M FIRE BARRIER FS-195 WRAP/STRIP, FOIL SIDE OUT, AROUND THE PIPE INSULATION WITH THE SEAM BUTTED. SECURE WITH STEEL TIE WIRE OR ALUMINUM FOIL TAPE. BUTT THE SECURED FS-195 WRAP/STRIP AGAINST THE WALL SURFACE.
- APPLY THE 3M FIRE BARRIER RC-1 RESTRICTING COLLAR. REMOVE ENOUGH RC-1 RESTRICTING COLLAR TO MAKE ONE WRAP AROUND THE APPLIED FS-195 WRAP/STRIP, WITH A MINIMUM 1-IN. OVERLAP. BEND THE MOUNTING TABS AWAY FROM THE INSULATED PIPE AT RIGHT ANGLES FLUSH WITH THE WALL SURFACE.
- FASTEN THE RC-1 RESTRICTING COLLAR TIGHTLY AROUND THE FS-195 WRAP/STRIP LAYER WITH A STEEL HOSE CLAMP, CENTERING THE CLAMP ON THE COLLAR ASSEMBLY.
- SECURE THE RC-1 RESTRICTING COLLAR TO THE WALL WITH A MINIMUM 1 1/2" x 3/16" DIAMETER HOLLOW WALL SCREW ANCHORS WITH 1 1/4" x 1/4" FENDER WASHERS. SECURE EVERY TAB.
- SEAL THE SYSTEM WITH A 1/4 IN. BEAD OF 3M FIRE BARRIER CP 25 CAULK OR 3M FIRE BARRIER MOLDABLE PUTTY AT THE FS-195 WRAP/STRIP/WALL INTERFACE AND THE FS-195 WRAP/STRIP/ INSULATION INTERFACE.
- BEND THE RETAINER TABS TOWARD THE PIPE TO LOCK THE FS-195 WRAP/STRIP IN POSITION.

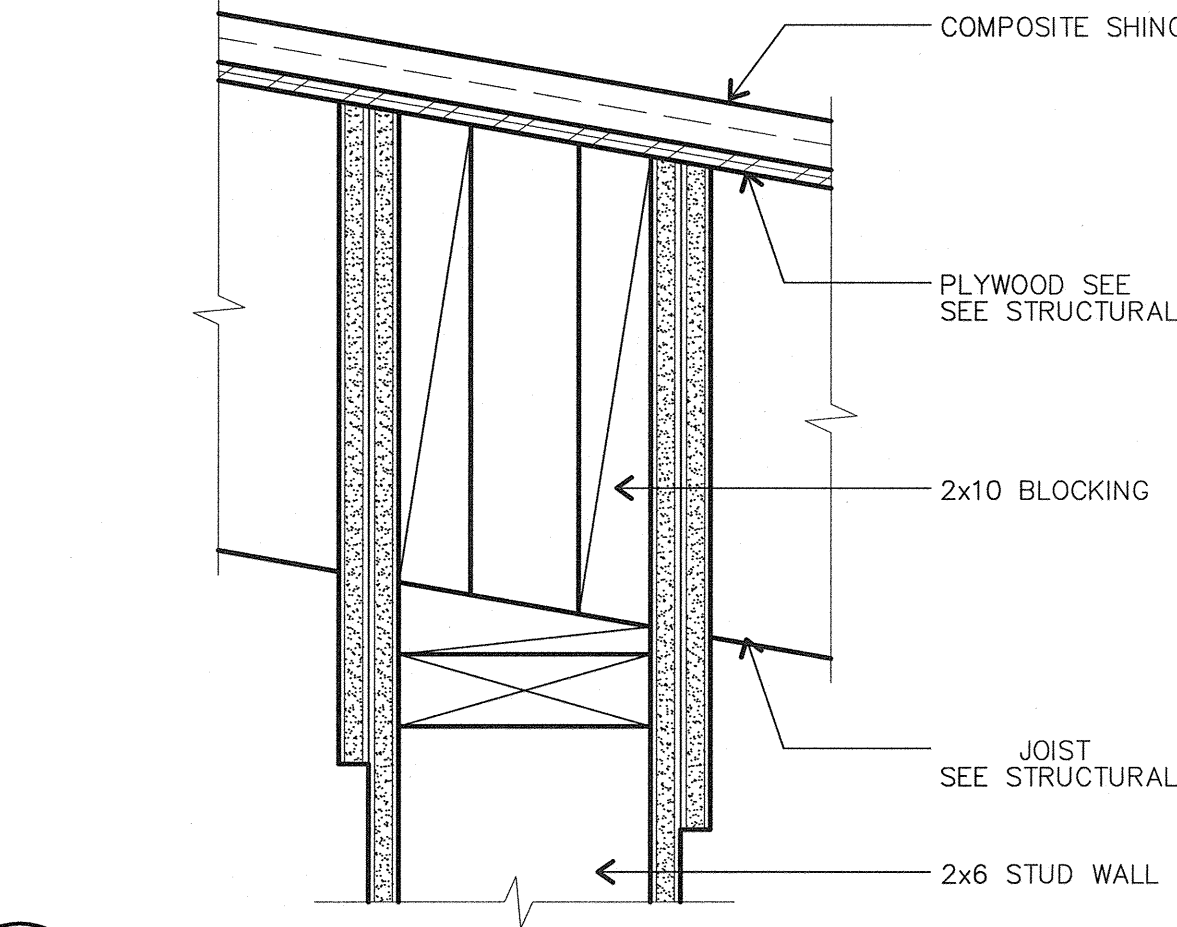
12 INSULATED STEEL PIPE PENETRATION THROUGH 1-HR RATED WALLS (4" MAXIMUM DIAMETER)

A8.03 EDW240-09 U.L. ASSEMBLY NO. WL5002 SCALE: 1' = 1'-0"



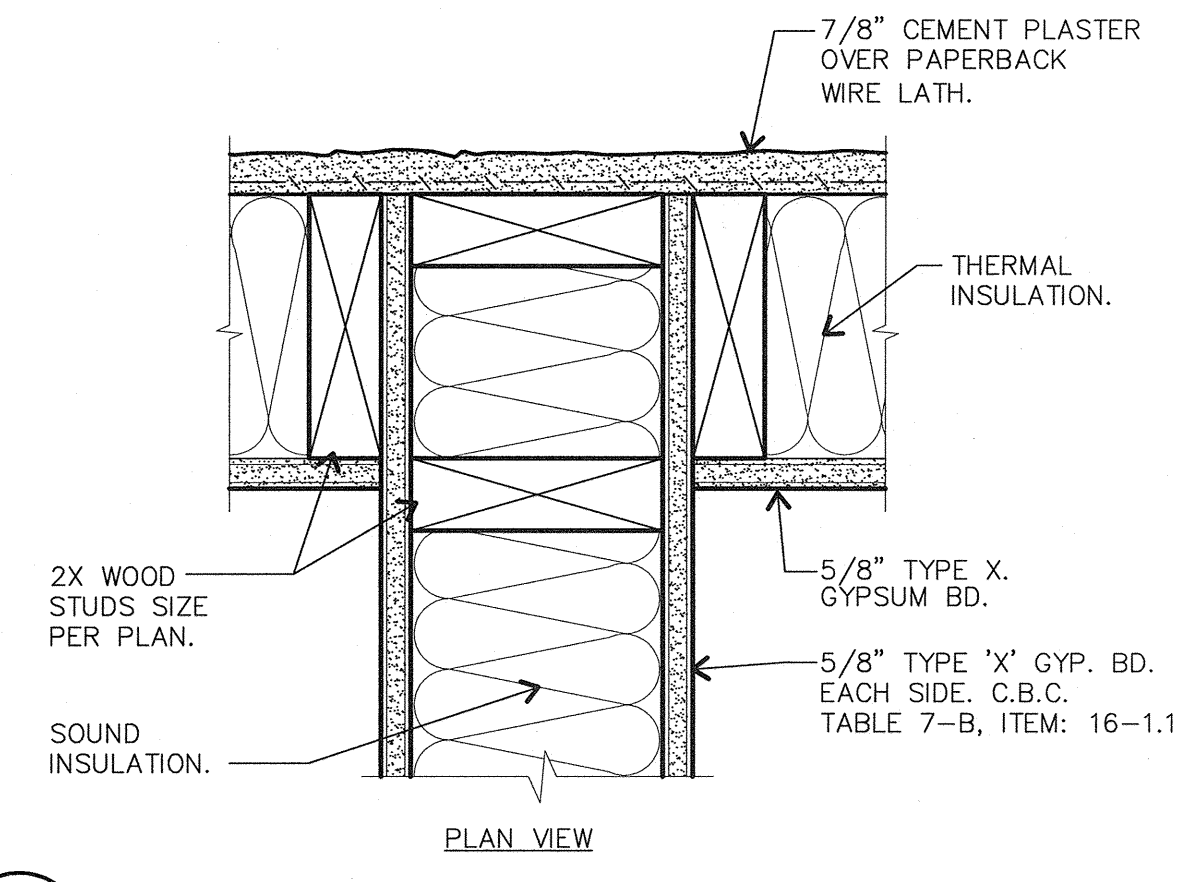
5 1-HR FIRE RATED ASSEMBLY @ CEILING TO WALL

A8.03 ADF244-03 SCALE: 3" = 1'-0"



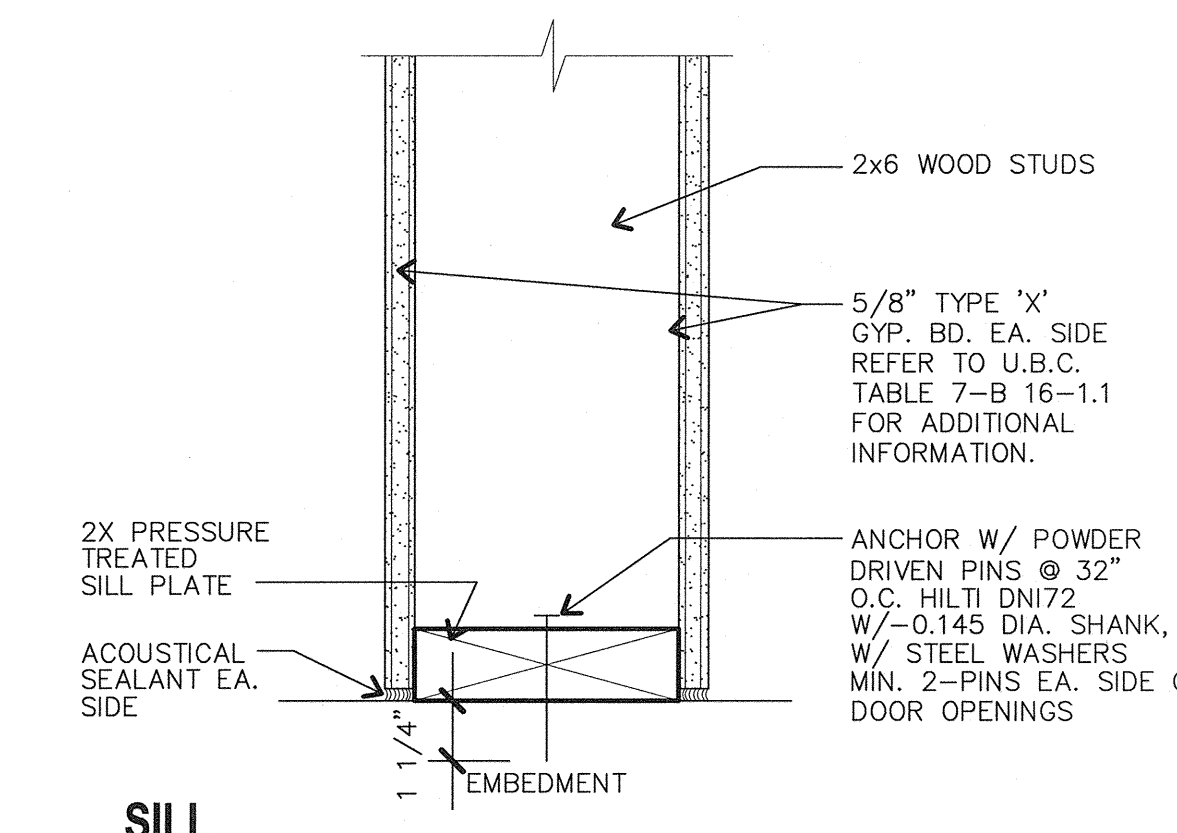
6 1-HR FIRE RATED ASSEMBLY @ ROOF TO WALL

A8.03 ADF244-05 SCALE: 3" = 1'-0"



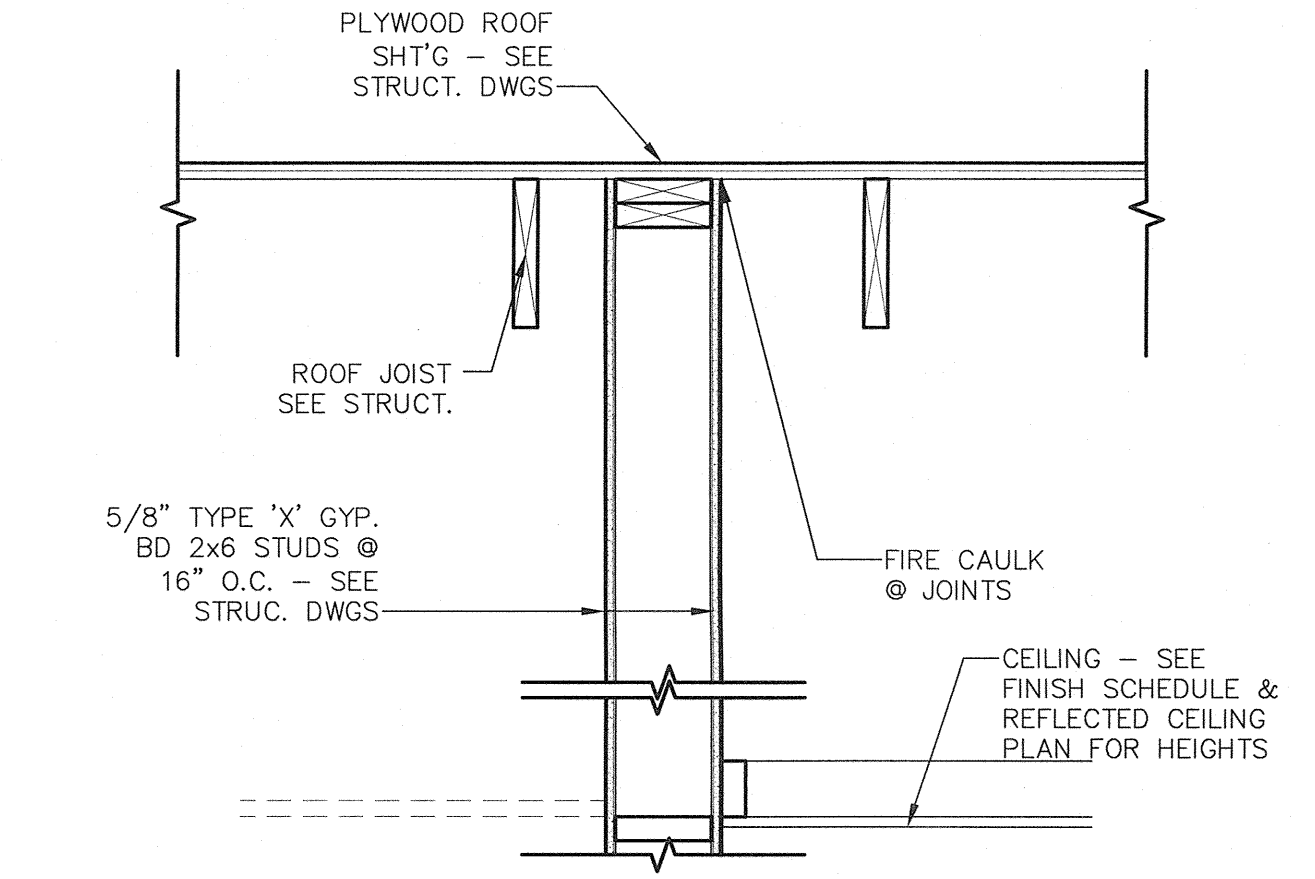
7 1-HR FIRE RATED ASSEMBLY @ EXT. WALL

A8.03 AD116 SCALE: 3" = 1'-0"



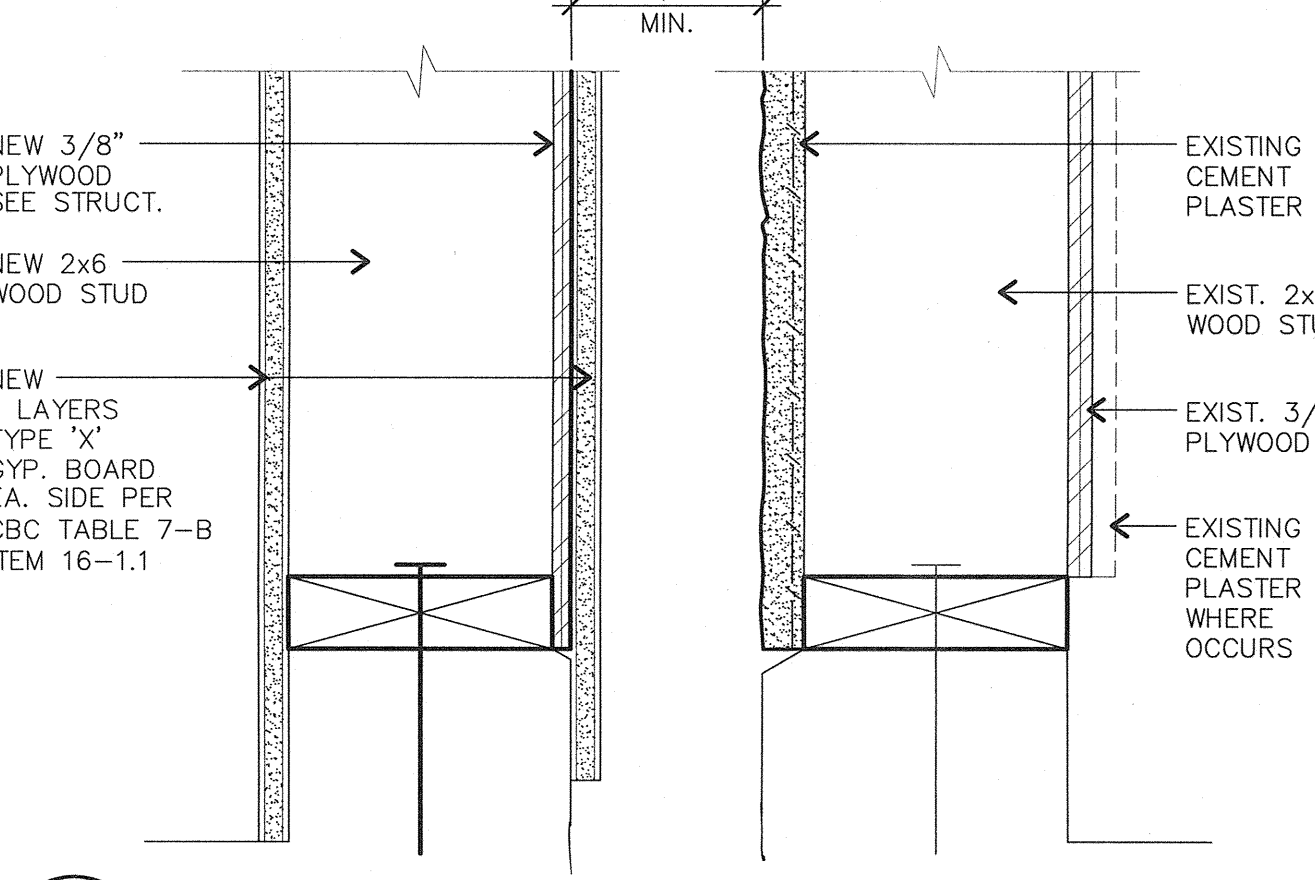
8 1-HR RATED WALL

A8.03 AD120 SCALE: 3" = 1'-0"



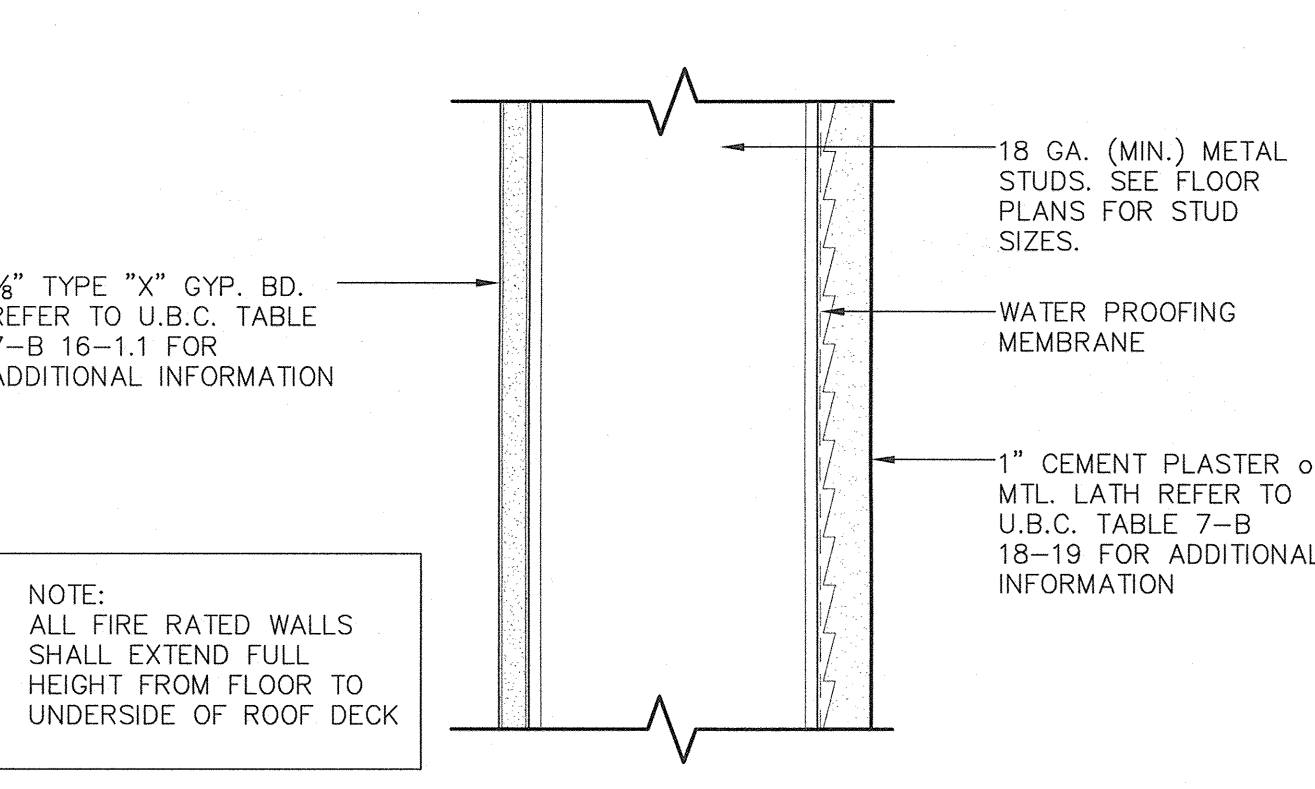
1 1 HR @ ROOF PER CBC ITEM 17-13

A8.03 ADF244-07 SCALE: 1" = 1'-0"



2 1-HR FIRE RATED @ SILL PLATE TO CONC CURB

A8.03 ADF140-01 SCALE: 3" = 1'-0"



3 1-HR FIRE RATED ASSEMBLY (EXTERIOR)

A8.03 ADF231-01 SCALE: 3" = 1'-0"

WALLS AND INTERIOR PARTITIONS, WOOD FRAMED		
SYSTEM DESCRIPTION	GENERIC	SKETCH AND DESIGN DATA
GA FILE NO. WP 3660		1 HOUR FIRE
<p>GYPSUM WALLBOARD, WOOD STUDS</p> <p>One layer 5/8" type X gypsum wallboard applied at right angles to each side of 2 x 6 wood studs 16" o.c. with 2 1/4" Type S or W drywall screws 7" o.c.</p> <p>Vertical joints staggered 16" o.c., horizontal joints staggered 24" o.c., on opposite sides.</p> <p>Tested at 5,156 lbs per stud or 100 percent of design load.</p> <p>(LOAD-BEARING)</p>		
		<p>Thickness: 5/8"</p> <p>Approx. Weight: 8 psf</p> <p>Fire Test: 155-99-22441.2, 10-99</p>

4 1 HOUR RATED WALL CONSTRUCTION

A8.03 ADF244-02 SCALE: 1" = 1'-0"

Ownership of Documents
 This document, the ideas and designs incorporated herein, as an instrument of Professional Service is the property of Integrated Designs by SOMAM Inc. and is not to be used, in whole or in part for any other project without written authorization.
 © COPYRIGHT 2012

Integrated designs by SOMAM, Inc.
 ARCHITECTURE • INTERIOR DESIGN • CONSTRUCTION MANAGEMENT
 6011 N. Fresno, Suite 130 - Fresno, California 93710
 Phone (559) 438-0887 Fax (559) 438-0887 E-mail: design@somam.com
 www.integrateddesigns.com

Rev. Date	Revision	Revision Description

FIRE RATED DETAILS

Project Name & Address:
MT. VERNON ELEMENTARY SCHOOL KITCHEN ADDITION
 BAKERSFIELD CITY SCHOOL DISTRICT
 2161 POTOMAC AVENUE BAKERSFIELD CA.

Sheet Title:
FIRE RATED DETAILS

Base Date: 07/20/12
 Date: 07/31/12
 Designer: [Signature]
 DR: [Signature]
 PC: CJM

Agency Approval Stamp:
 FILE # 15-6
 IDENTIFICATION STAMP
 DIV. OF THE STATE ARCHITECT
 OFFICE OF REGULATION SERVICES
 03-114521
 AC: [Signature]
 DATE: 8/1/12
 TRACKING #: 63321-118

Stamp(s):

Job No.: **3990**

Sheet No.: **A8.03**

Release: -

G:\2011frs\11-3990\Sheets\3990-A803.dwg CURTIS MCNALLY