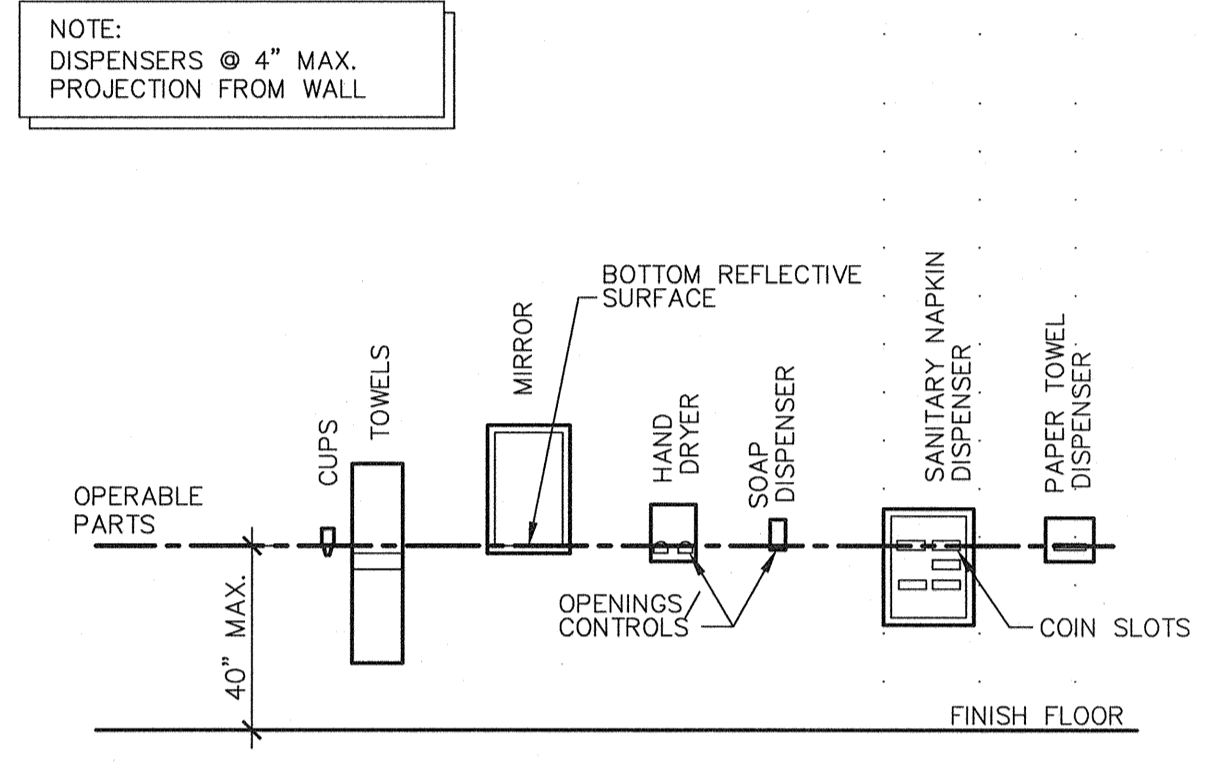
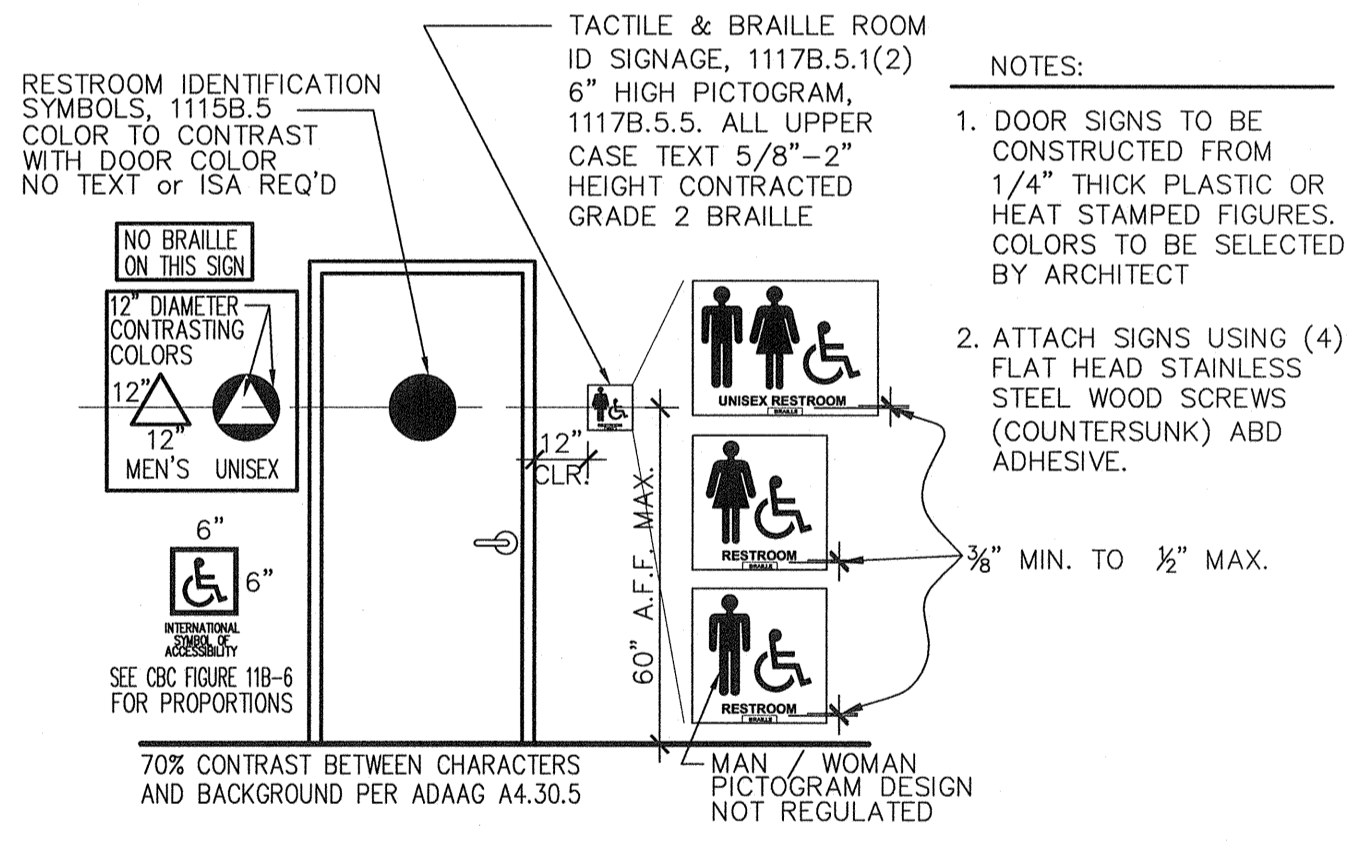


**1 CBC FIGURE 11B-1D - KNEE CLEARANCE @ ACCESSIBLE LAVATORY**  
 ADA200-10 SCALE: 1/2" = 1'-0"

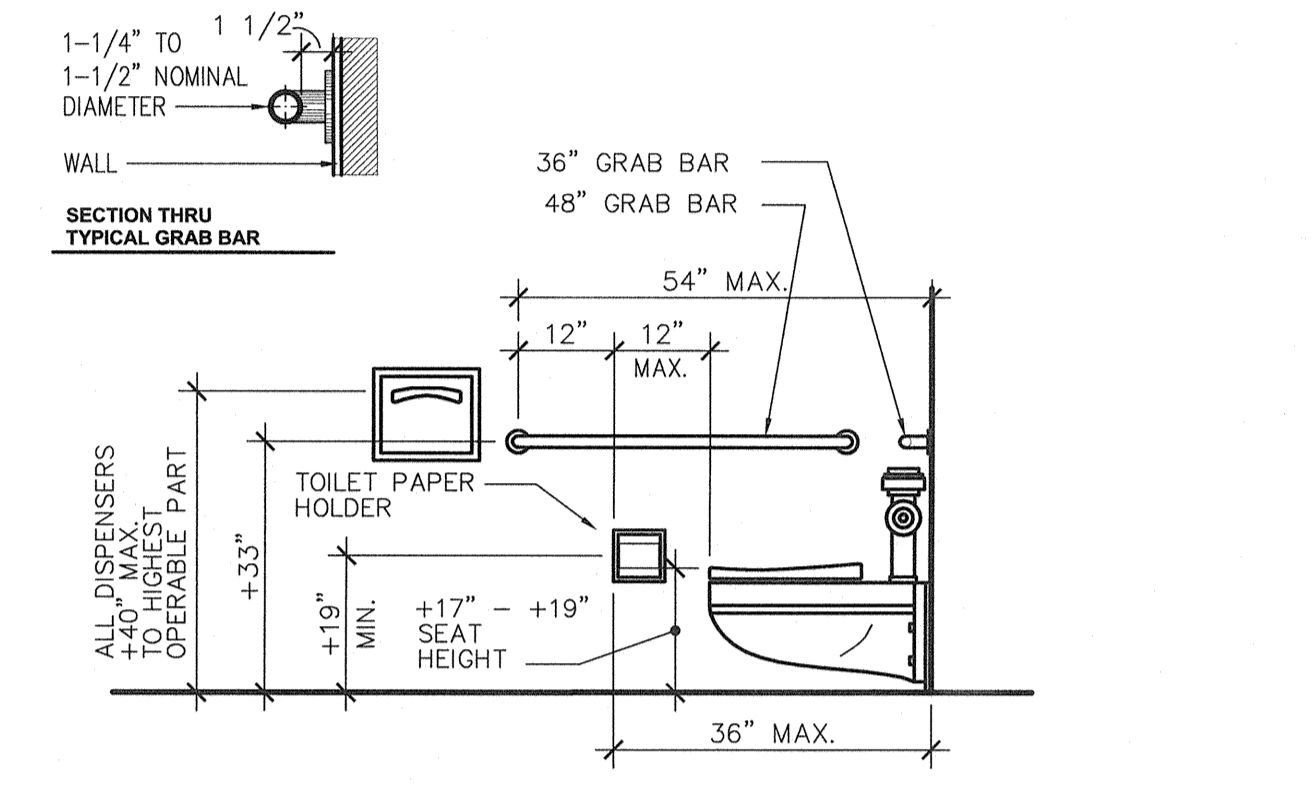
- NOTES:**
1. NO SHARP OR ABRASIVE SURFACES SHALL BE PRESENT UNDER LAVATORIES.
  2. ALL PIPES UNDERNEATH LAVATORIES SHALL BE INSULATED TO PROTECT AGAINST CONTACT FROM THE PERSONS USING THE FIXTURE. (REFER TO SPECIFICATIONS)
  3. THE LOWER REFLECTIVE EDGE OF MIRRORS SHALL NOT EXCEED 40 INCHES ABOVE THE FINISHED FLOOR.
  4. ACCEPTABLE FAUCETS SHALL INCLUDE PUSH ELECTRONIC AND LEVER MECHANISM. FAUCETS WITH SELF-CLOSING VALVES SHALL REMAIN OPEN FOR NO LESS THAN 10 SECONDS. SEE PLUMBING DRAWINGS.
  5. ACCESSIBLE FAUCET CONTROLS SHALL BE PUSH TYPE WITH 5 LBS MAX. OPERATING FORCE.



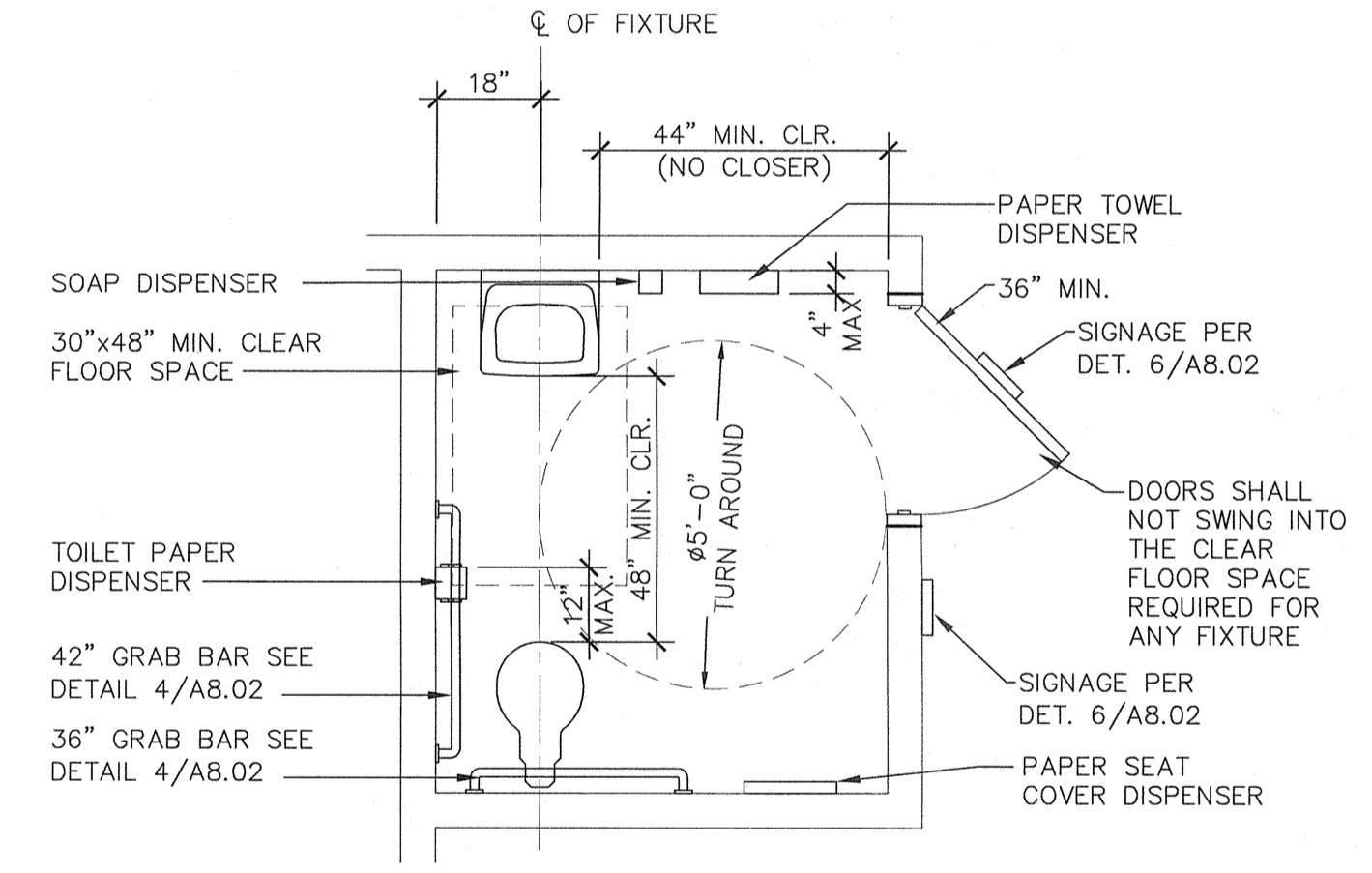
**5 MOUNTING HEIGHTS FOR TOILET RM ACCESSORIES**  
 ADA200-13 SCALE: 1/2" = 1'-0"



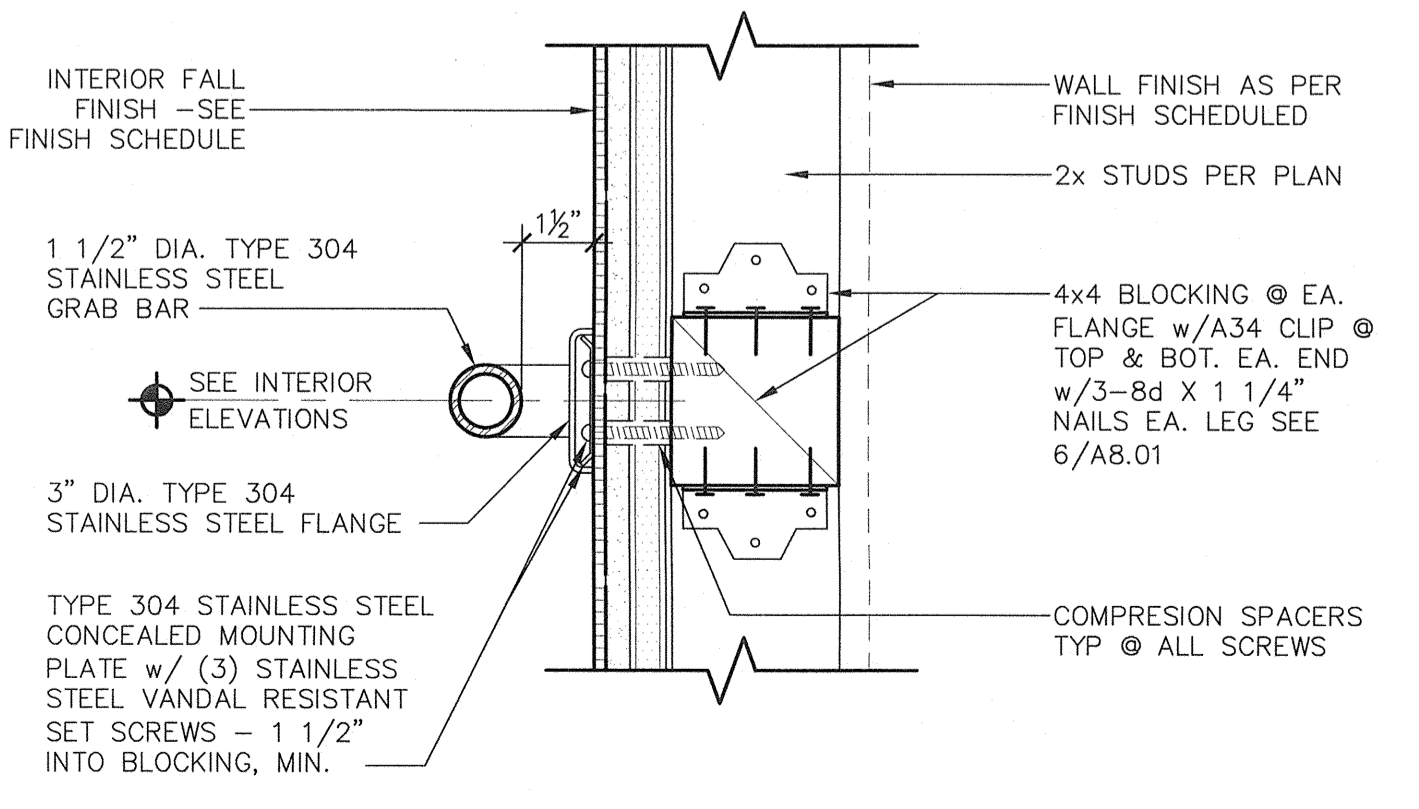
**6 RESTROOM SIGNAGE**  
 ADA200-03 SCALE: 1" = 1'-0"



**2 ACCESSIBLE MOUNTING HEIGHTS**  
 ADA200-12 SCALE: 1/2" = 1'-0"



**3 MINIMUM ACCESSIBLE SINGLE OCCUPANCY TOILET**  
 ADA200-03 SCALE: 3/8" = 1'-0"



**4 GRAB BAR ANCHORAGE**  
 ADM246-01 SCALE: 3" = 1'-0"

**Ownership of Documents**  
 This document, the ideas and designs incorporated herein, as an instrument of Professional Service is the property of Integrated Designs by SOMAM, Inc. and is not to be used, in whole or in part for any other project without written authorization.  
 © COPYRIGHT 2012

**integrated designs** by SOMAM, Inc.  
 ARCHITECTURE - ENGINEERING - INTERIOR DESIGN - CONSTRUCTION MANAGEMENT  
 6011 N. Fresno, Suite 130 - Fresno, California 93710  
 Phone (559) 438-0881 Fax (559) 438-0887 E-Mail: design@somam.com  
 www.integrateddesigns.com

| Rev. Date: | Revision Description: |
|------------|-----------------------|
|            |                       |
|            |                       |
|            |                       |
|            |                       |

**INTERIOR DETAILS**

**MT. VERNON ELEMENTARY SCHOOL KITCHEN ADDITION**  
 BAKERSFIELD CITY SCHOOL DISTRICT  
 2161 POTOMAC AVENUE BAKERSFIELD CA.

Project Name & Address:  
 Date: 07/20/12  
 Design: 07/31/12  
 DR: [Signature]  
 PC: CJM

Agency Approval Stamp:

FILE # 15-6  
 IDENTIFICATION STAMP  
 DIV. OF THE STATE ARCHITECT  
 OFFICE OF REGULATION SERVICES

03-114521  
 AC [Signature]  
 DATE 5/1/12  
 TRACKING #: 63321-118

Stamp(s):

Professional Seal: CURTIS E. McNALLY, No. C 28966, STATE OF CALIFORNIA

Job No.: **3990**

Sheet No.: **A8.02**

Release: -