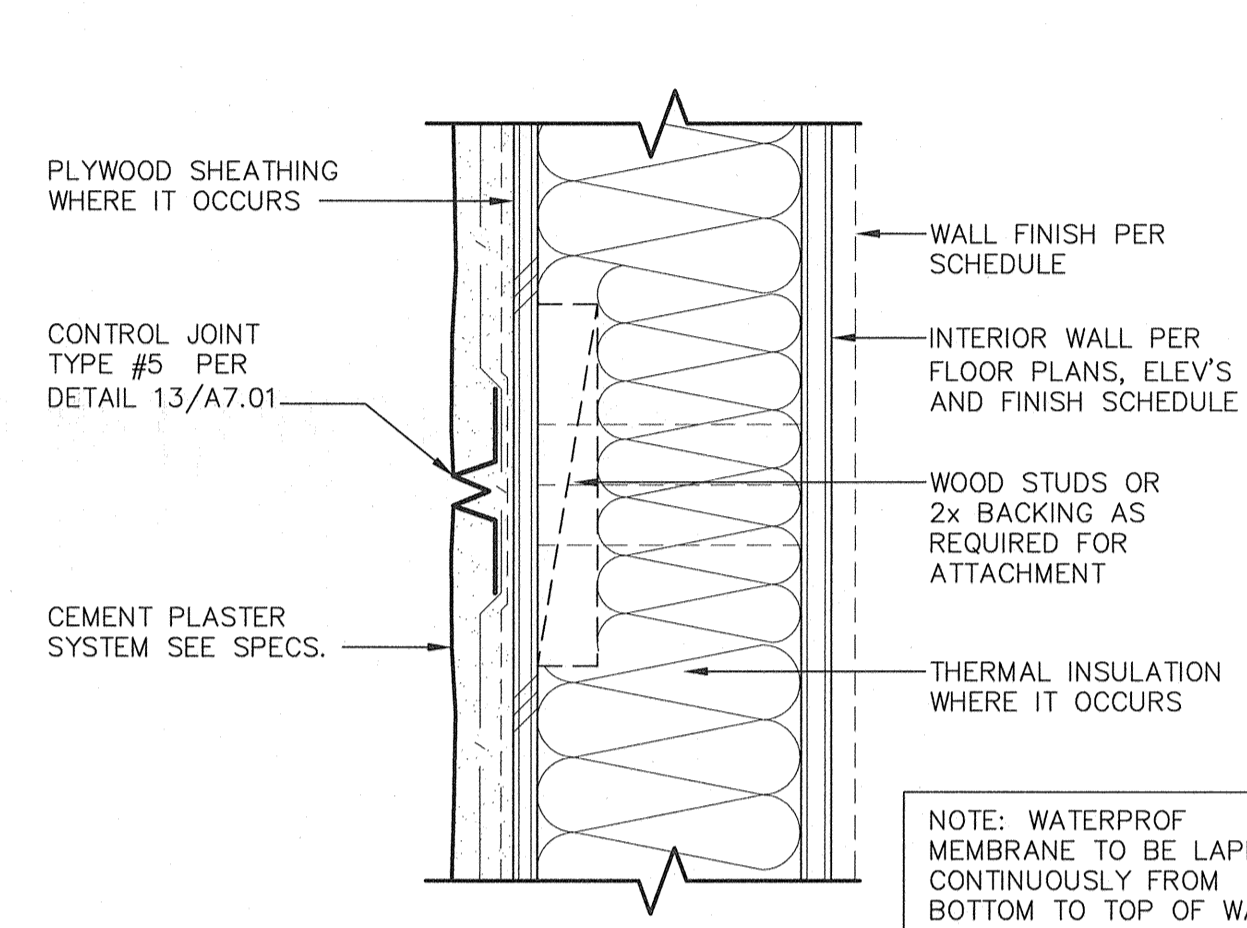
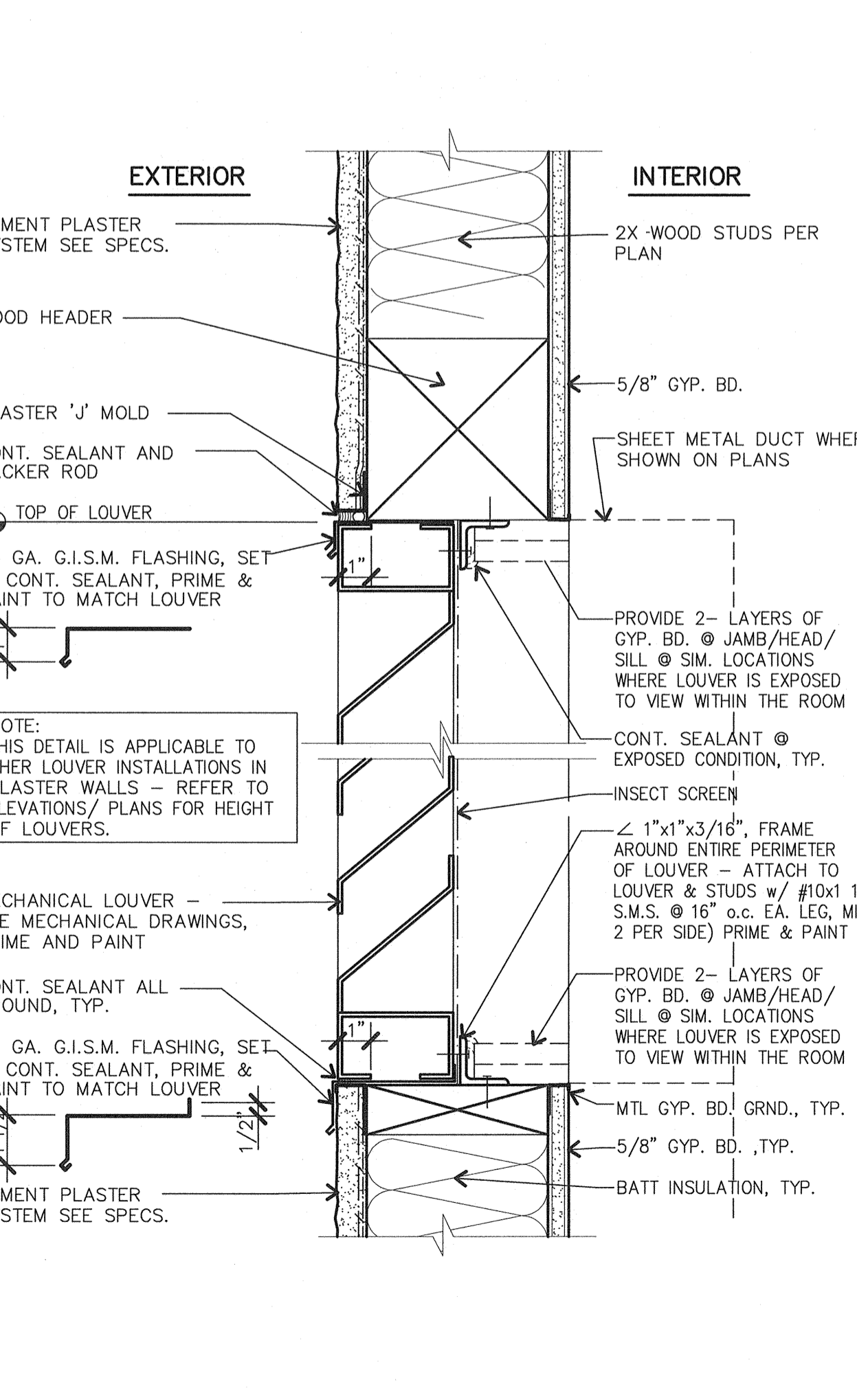


1" = 40'-0"  
1" = 30'-0"  
1" = 20'-0"  
1" = 1'-0"  
1/8" = 1'-0"  
1/4" = 1'-0"

**13 EXTERIOR PLASTER SCREED TYPES**  
A7.01 ADO101-01 SCALE: 3" = 1'-0"

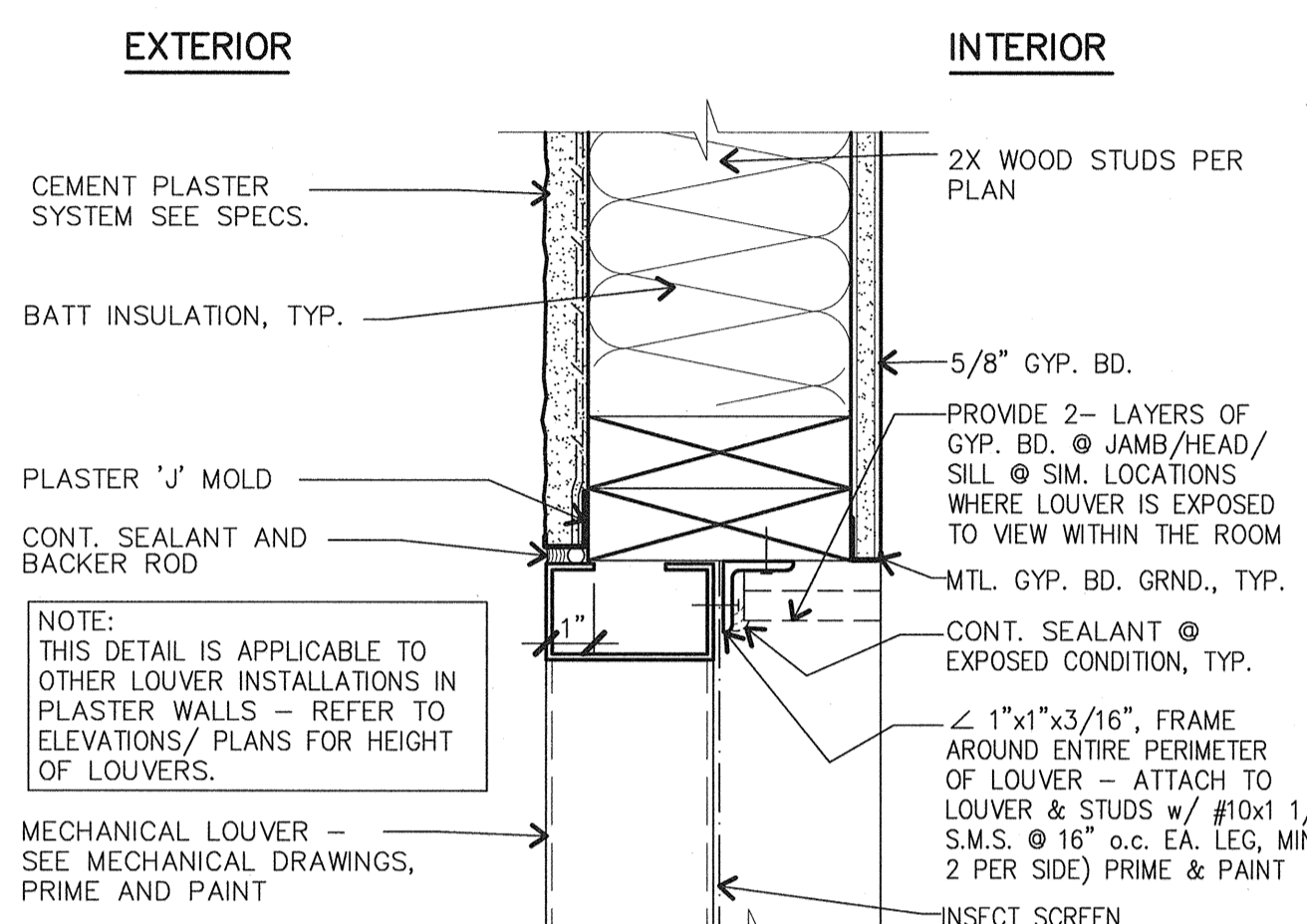


**14 CONTROL/EXPANSION JOINT**  
A7.01 ADW141-07 SCALE: 3" = 1'-0"

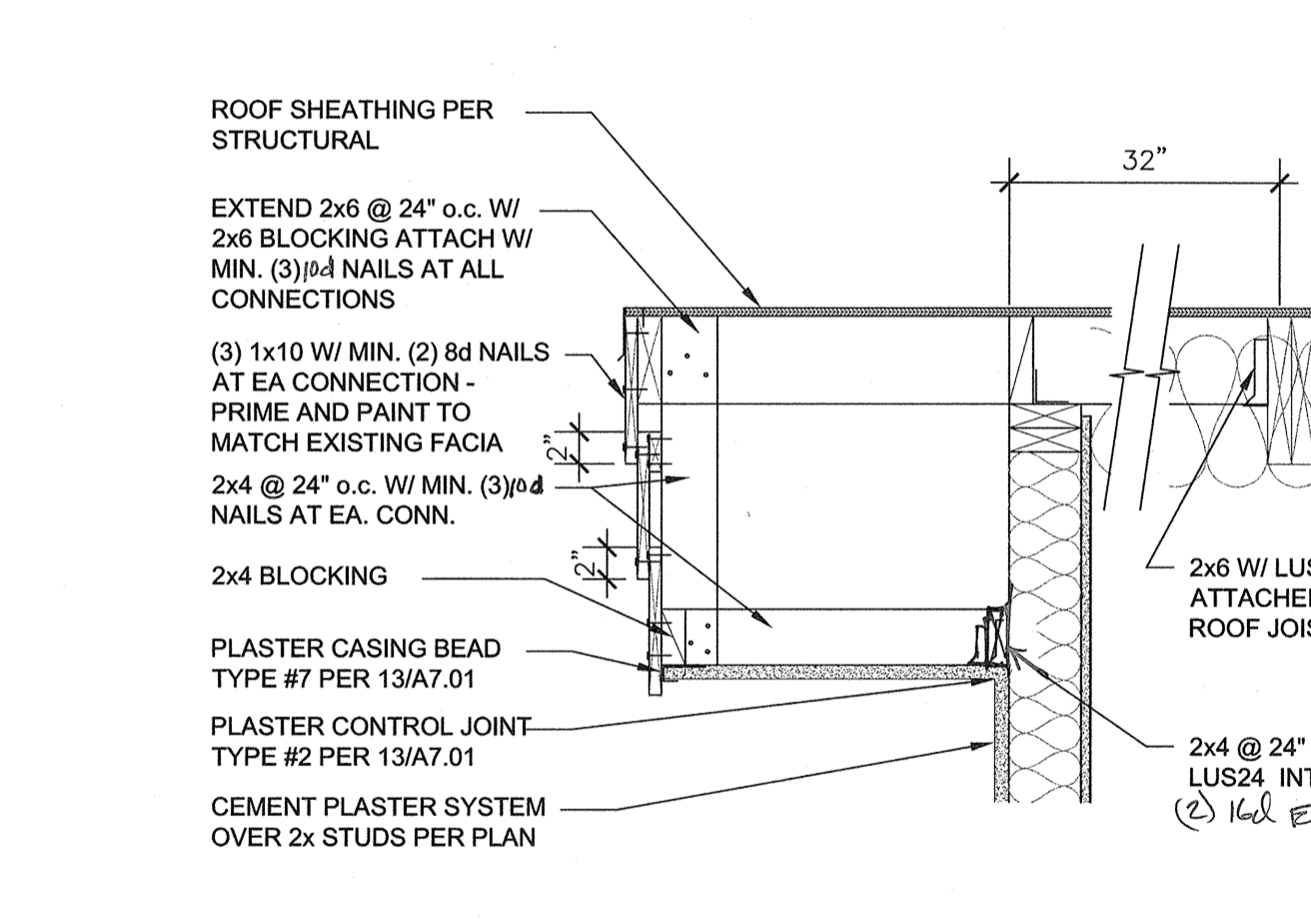


**16 LOUVER HEAD/SILL AT EXTERIOR WALL**  
A7.01 ADV141-02 SCALE: 3" = 1'-0"

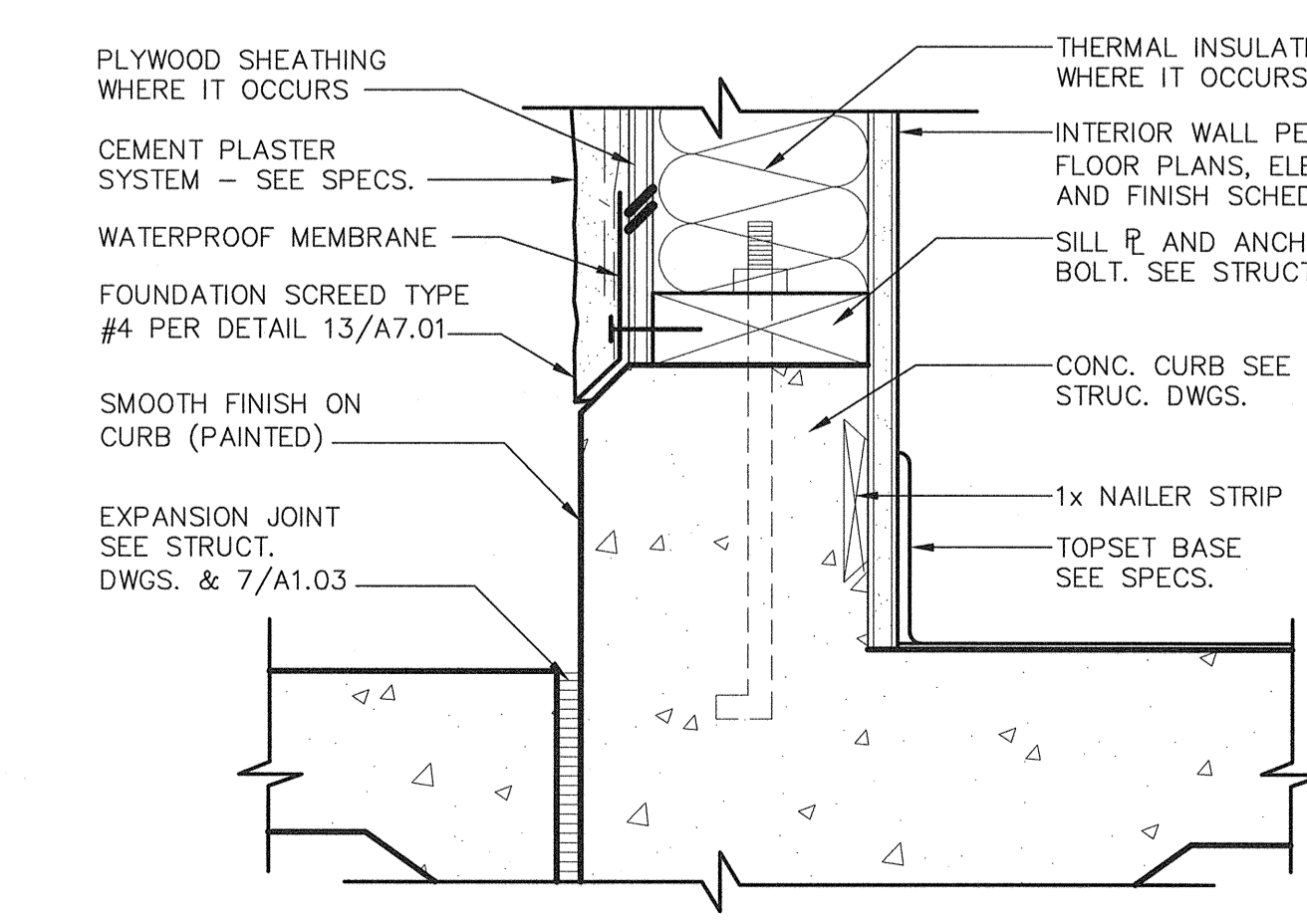
ADV141-02 3" = 1'-0"



**10 LOUVER JAMB AT EXTERIOR WALL**  
A7.01 ADV141-01 SCALE: 3" = 1'-0"



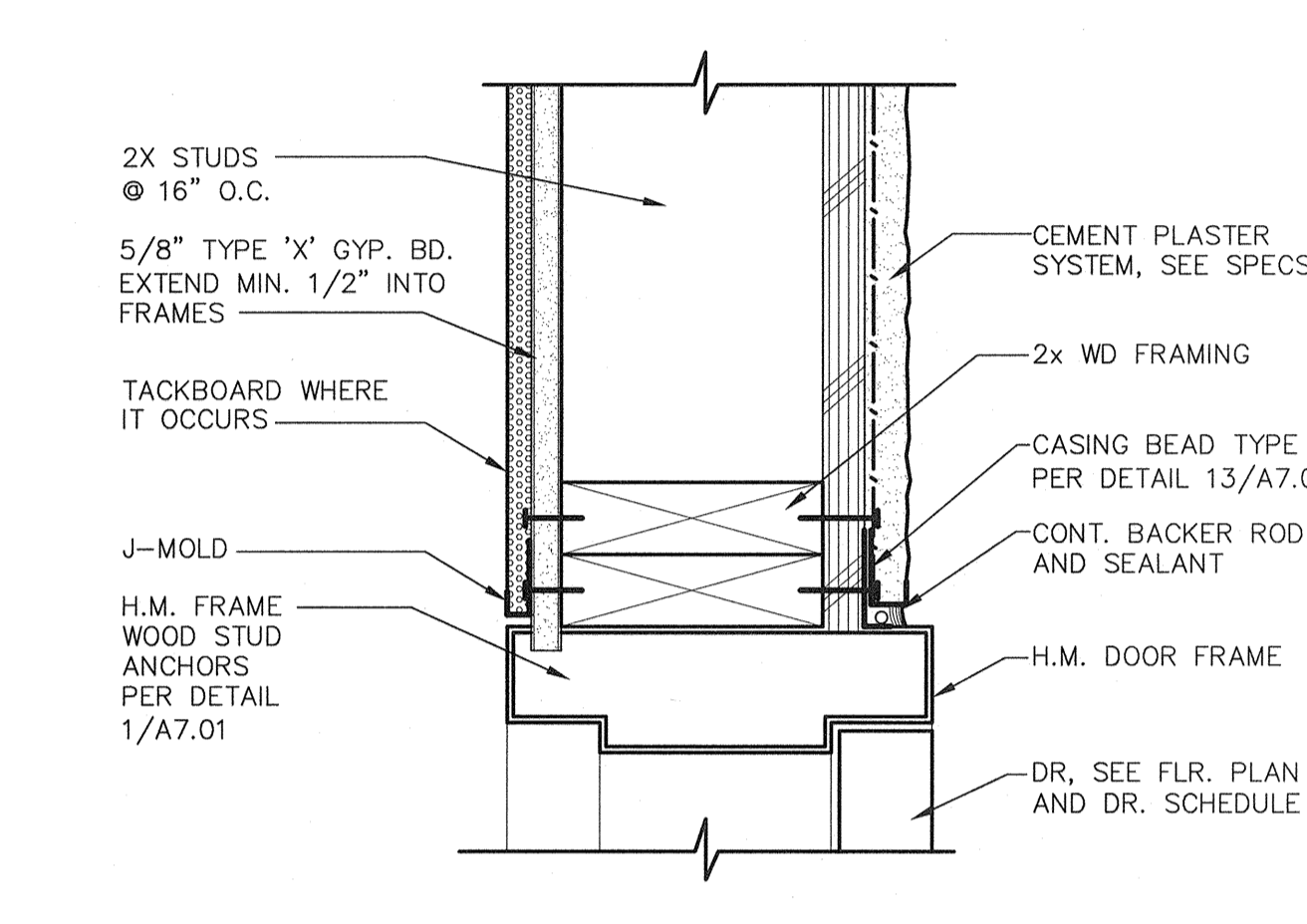
**11 EAVE CONDITION**  
A7.01 SCALE: 1" = 1'-0"



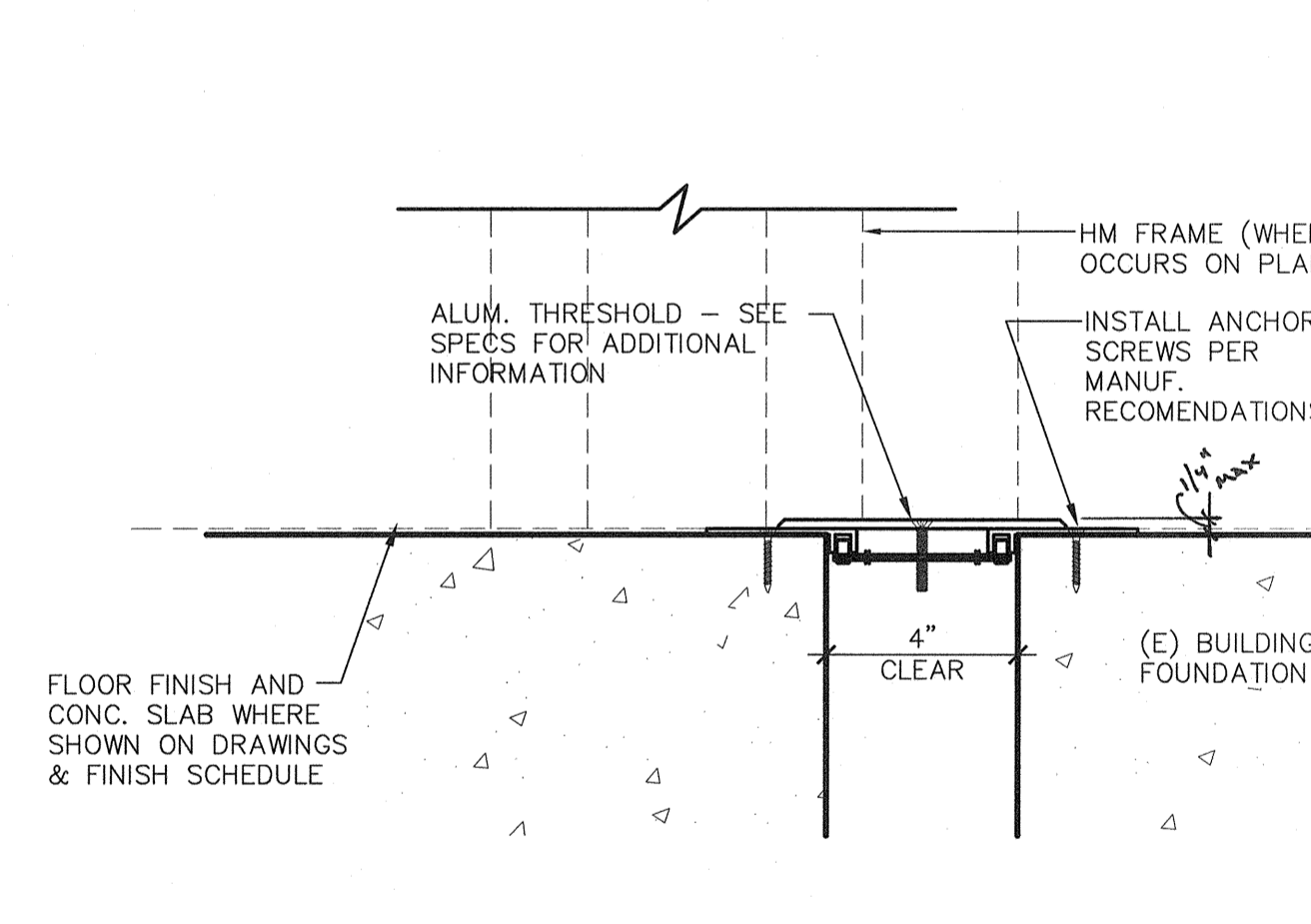
**12 CONC. CURB & WALL SILL DETAIL**  
A7.01 ADF100-01 SCALE: 3" = 1'-0"

ADF100-01 SCALE: 3" = 1'-0"

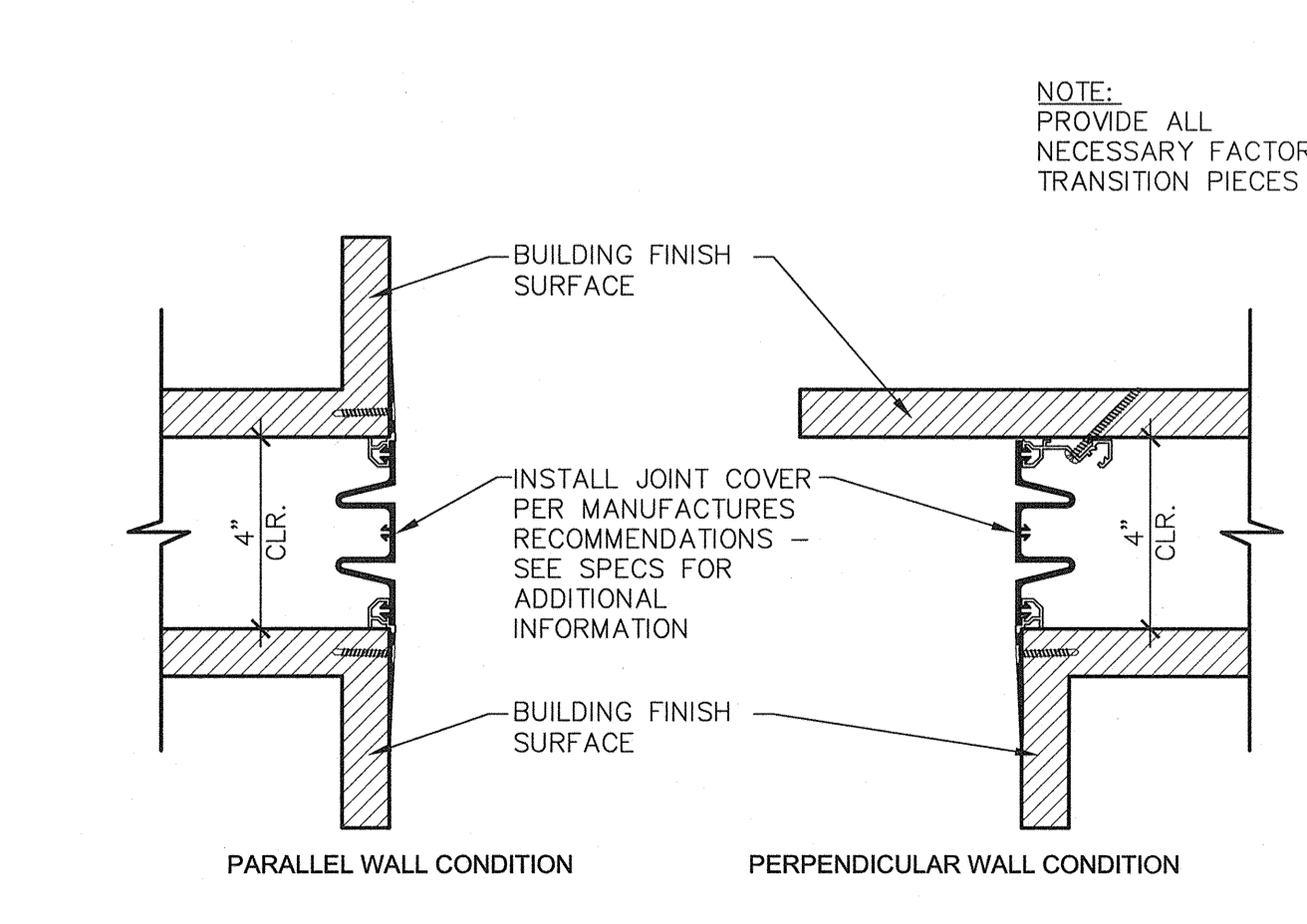
**5 EXTERIOR DOOR HEAD**  
A7.01 ADD141-05 SCALE: 3" = 1'-0"



**6 EXTERIOR DOOR JAMB**  
A7.01 ADD141-06 SCALE: 3" = 1'-0"



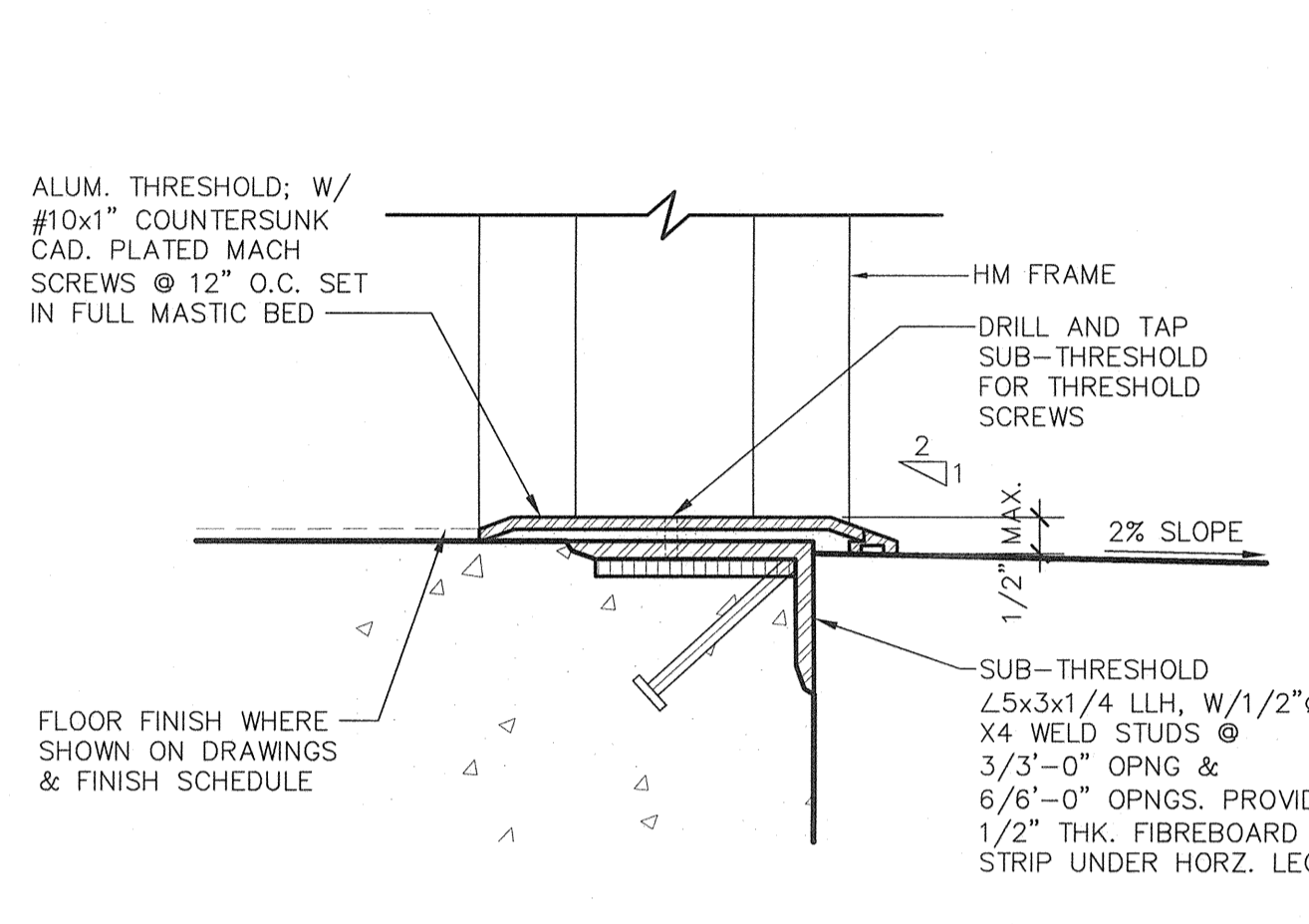
**7 SEISMIC EXPANSION THRESHOLD**  
A7.01 ADD141-09 SCALE: 3" = 1'-0"



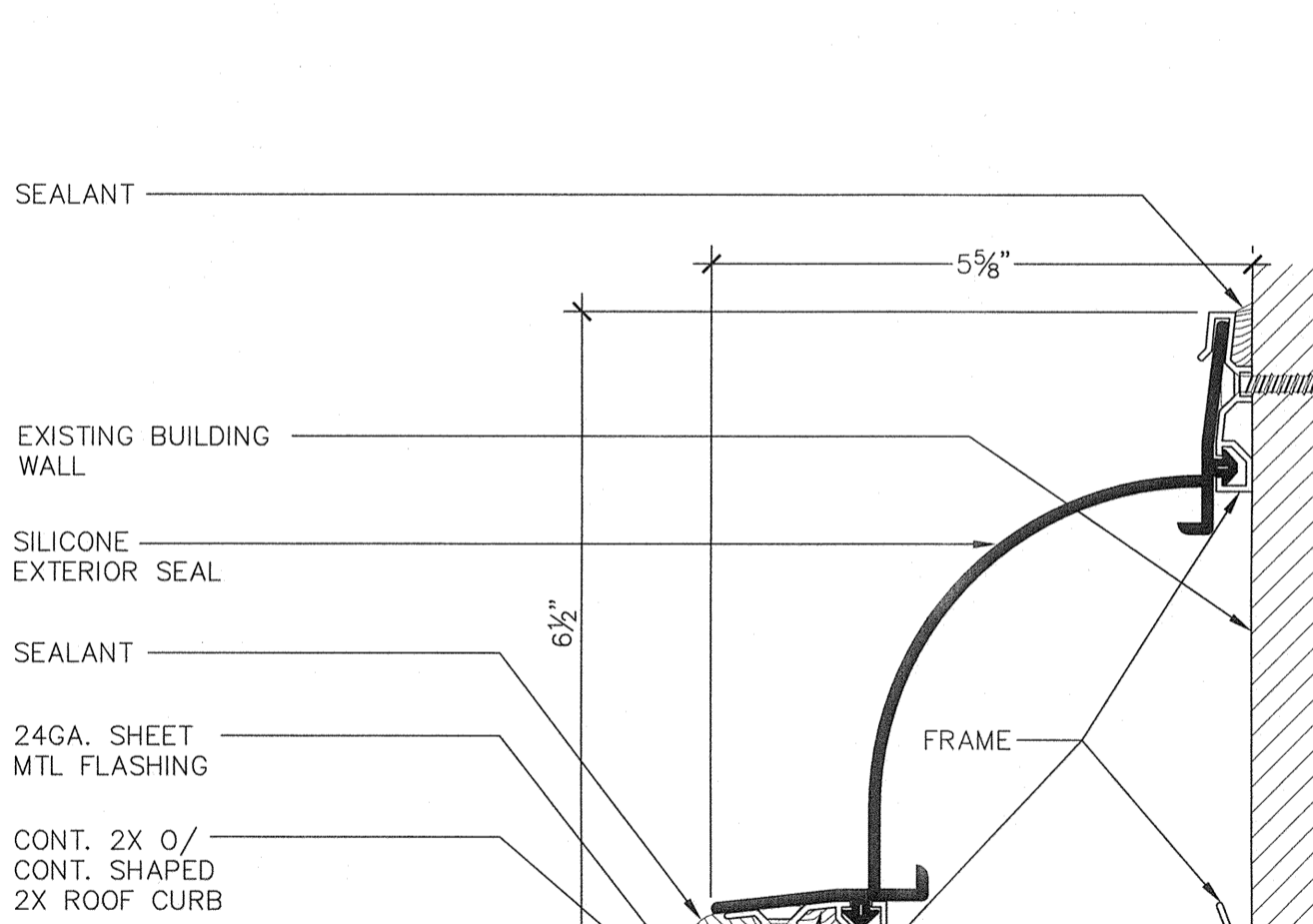
**8 VERTICAL SEISMIC COVER**  
A7.01 ADD141-08 SCALE: 3" = 1'-0"

ADD141-08 SCALE: 3" = 1'-0"

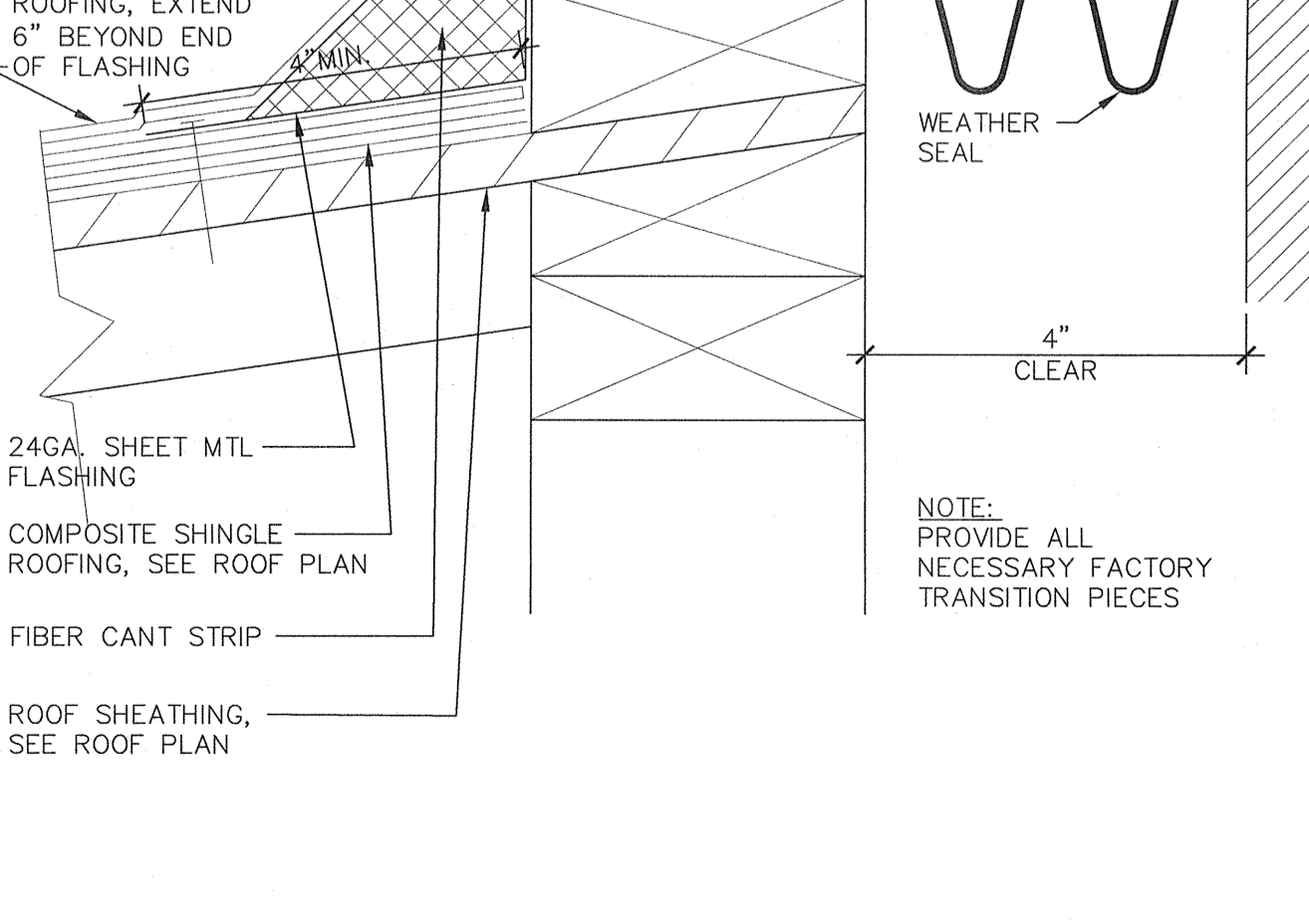
**1 TYPICAL DOOR CONNECTION DETAIL**  
A7.01 ADD141-03 SCALE: 1/4" = 1'-0"



**2 EXTERIOR THRESHOLD DETAIL**  
A7.01 ADD141-04 SCALE: 3" = 1'-0"



**4 ROOF FLASHING @ EXISTING WALL**  
A7.01 ADR100-02 SCALE: 6" = 1'-0"



**4 ROOF FLASHING @ EXISTING WALL**  
A7.01 ADR100-02 SCALE: 6" = 1'-0"

ADR100-02 SCALE: 6" = 1'-0"

**Ownership of Documents**  
This document, the ideas and designs incorporated herein, as an instrument of Professional Service is the property of Integrated Design by SOMAM Inc. and is not to be used, in whole or in part for any other project without written authorization.  
© COPYRIGHT 2012

**integrated designs** by SOMAM, Inc.  
ARCHITECTURE - INTERIOR DESIGN - CONSTRUCTION MANAGEMENT  
6011 N. Fremo, Suite 130 - Fremo, California 93710  
Phone (559) 438-0881 Fax (559) 438-0887 E-mail: design@somam.com  
www.integrateddesign.com

Rev. Date:	Revision Description:

**EXTERIOR DETAILS**

Project Name & Address:  
**MT. VERNON ELEMENTARY SCHOOL KITCHEN ADDITION**  
BAKERSFIELD CITY SCHOOL DISTRICT  
2161 POTOMAC AVENUE BAKERSFIELD CA.

Sheet Title:  
**EXTERIOR DETAILS**

Scale Date:  
07/20/12

Date:  
07/31/12

Designer:  
DR

Checker:  
PC

Agency Approval Stamp:  
FILE # 15-6  
IDENTIFICATION STAMP  
DIV. OF THE STATE ARCHITECT  
OFFICE OF REGULATION SERVICES  
03-114521  
DATE: 8/1/12  
TRACKING #: 63321-118

Stamp(s):  
No. C 28866  
STATE OF CALIFORNIA

Job No.:  
**3990**

Sheet No.:  
**A7.01**

Release: -

Scale Date:  
07/20/12

Date:  
07/31/12

Designer:  
DR

Checker:  
PC

Agency Approval Stamp:  
FILE # 15-6  
IDENTIFICATION STAMP  
DIV. OF THE STATE ARCHITECT  
OFFICE OF REGULATION SERVICES  
03-114521  
DATE: 8/1/12  
TRACKING #: 63321-118

Stamp(s):  
No. C 28866  
STATE OF CALIFORNIA

Job No.:  
**3990**

Sheet No.:  
**A7.01**

Release: -