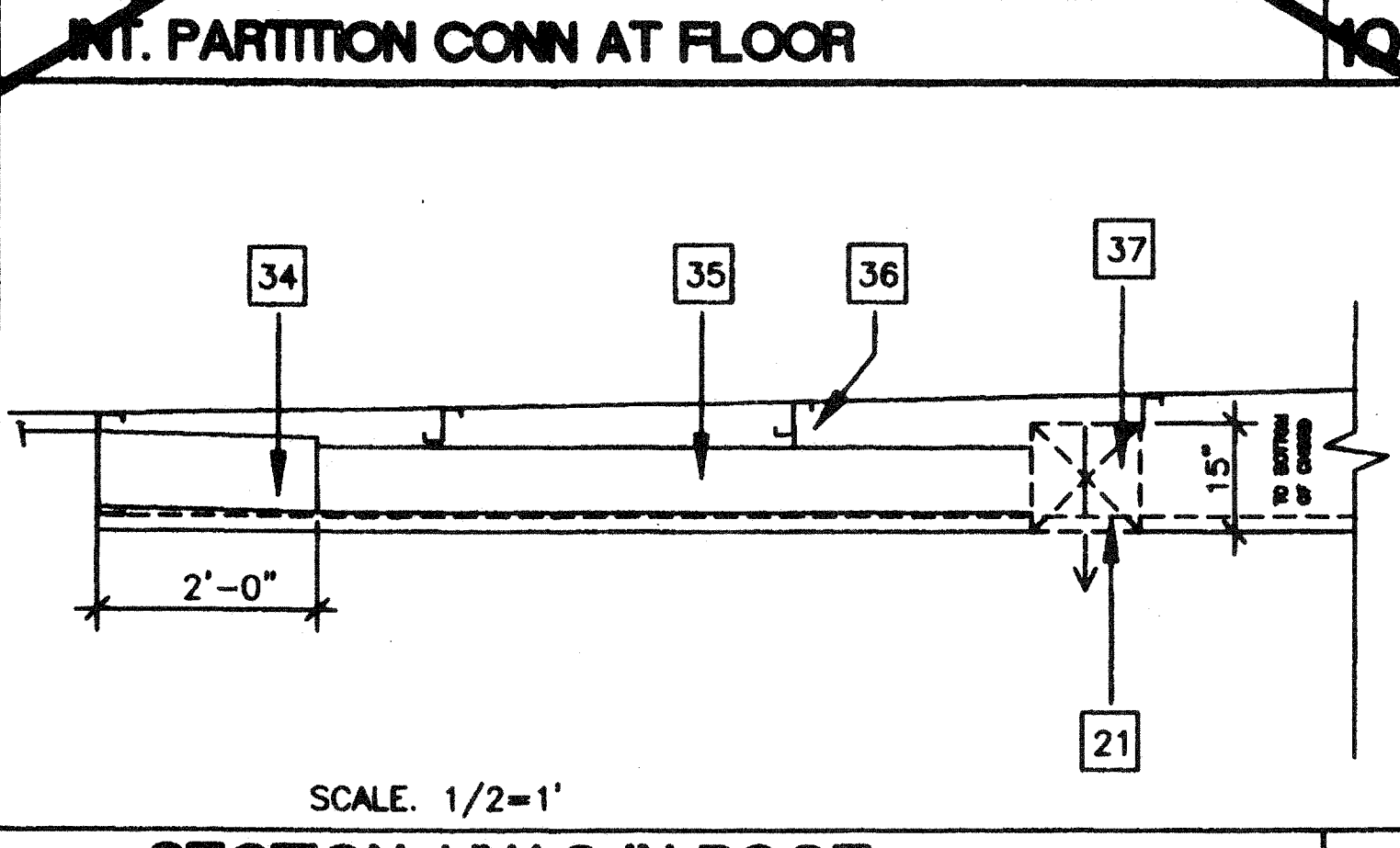
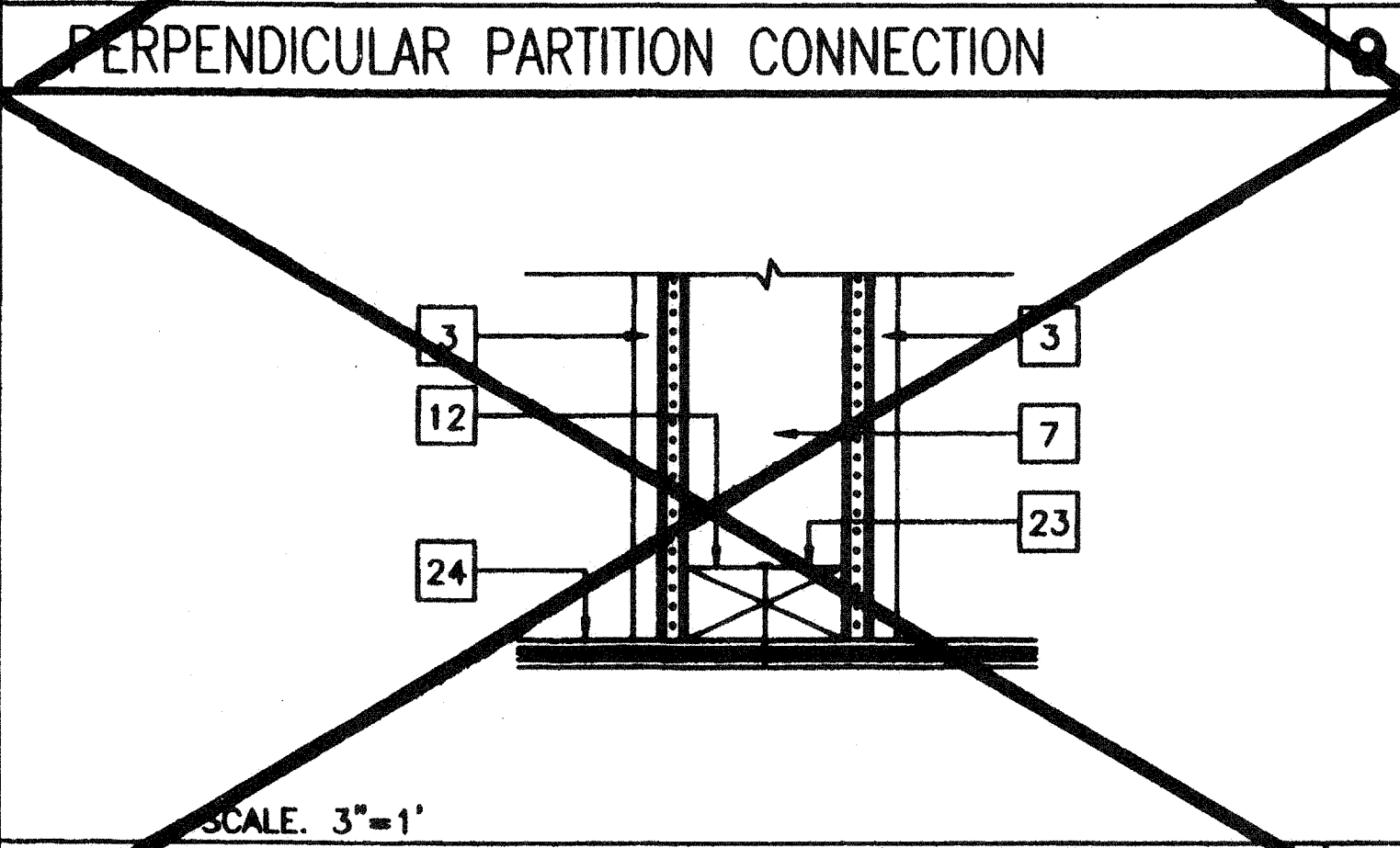
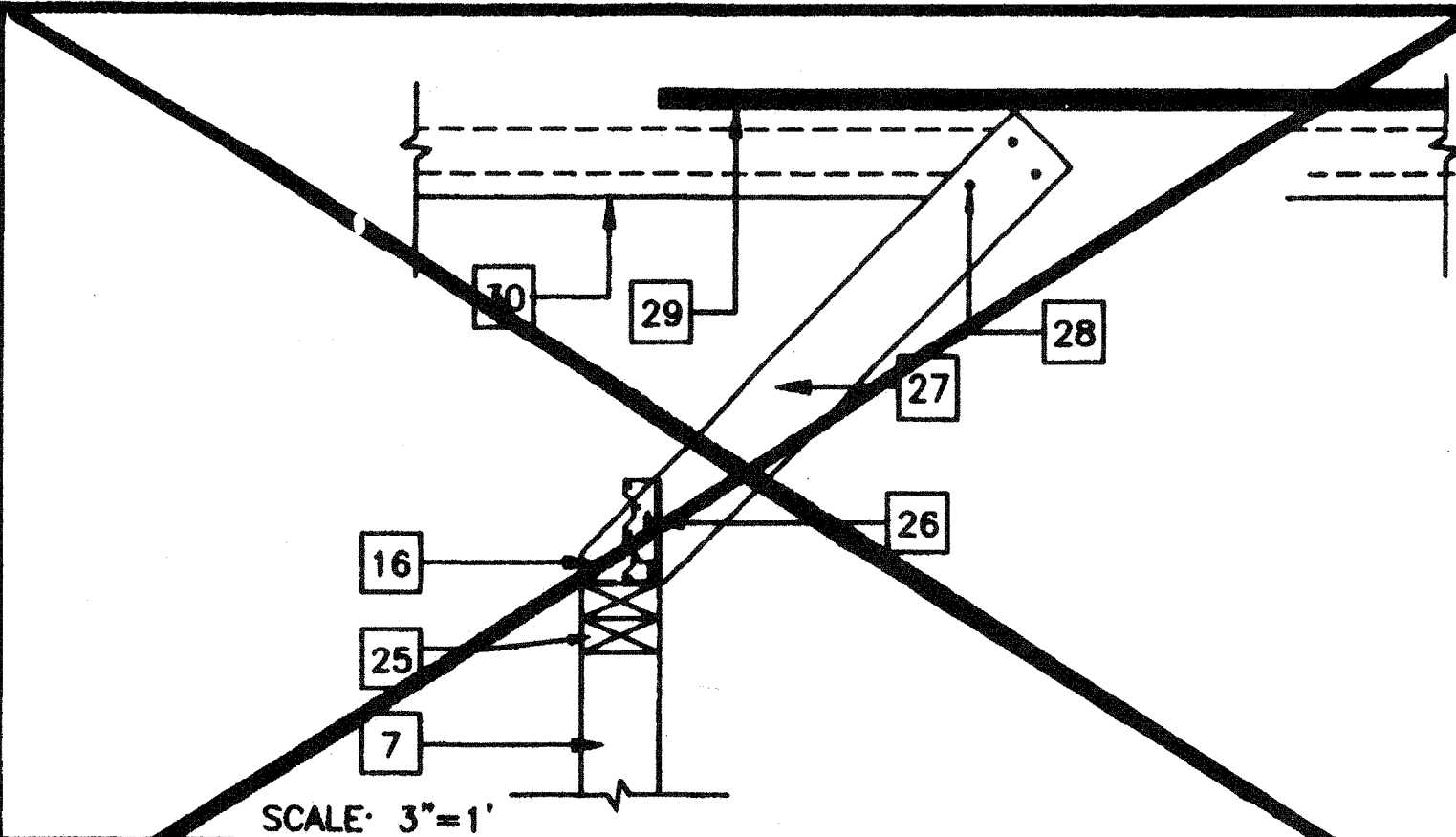


NAILING SCHEDULE	
CONNECTION	NAILING
1. JOIST TO SILL OR ORDER, TOENAIL	3-8d
2. BRIDGING TO JOIST, TOENAIL, END END	2-8d
3. 1" X 6" (25 mm X 152mm) SUBFLOOR OR LESS TO EACH JOIST, FACE NAIL	2-78d
4. WIDER THAN 1" X 6" (25 mm X 152 mm) SUBFLOOR TO EACH JOIST, FACE NAIL	3-8d
5. 2" (51mm) SUBFLOOR TO JOIST OR ORDER, BLIND AND FACE NAIL	2-18d
6. SOLE PLATE TO JOIST OR BLOCKING, TYPICAL FACE NAIL	16d at 16" (406mm) o.c.
7. SOLE PLATE TO JOIST OR BLOCKING, AT BRICKED WALL PANELS	3-16d per 16" (406mm)
8. TOP PLATE TO STUD, END NAIL	2-16d
9. STUD TO SOLE PLATE	4-8d, toenail or 2-16d, end nail
10. DOUBLE STUDS, FACE NAIL	16d at 24" (610mm) o.c.
11. DOUBLE TOP PLATES, TYPICAL FACE NAIL	16d at 16" (406mm) o.c.
12. DOUBLE TOP PLATES, LAP SPICE	8-16d
13. BLOCKING BETWEEN JOISTS OR RAFTERS TO TOP PLATE, TOENAIL	3-8d
14. REM JOIST TO TOP PLATE, TOENAIL	8d at 6" (152mm) o.c.
15. TOP PLATES, LAP AND INTERSECTIONS, FACE NAIL	2-16d
16. CONTINUOUS HEADER TWO PIECES	16d at 16" (406mm) o.c. along each edge
17. CEILING JOIST TO PLATE, TOENAIL	3-8d
18. CONTINUOUS HEADER TO STUD, TOENAIL	4-8d
19. CEILING JOISTS, LAP OVER PARTITIONS, FACE NAIL	3-16d
20. CEILING JOIST TO PARALLEL RAFTERS, FACE NAIL	3-16d
21. RAFTER TO PLATE, TOENAIL	3-8d
22. 1" (25 mm) BRACE TO EACH STUD AND PLATE, FACE NAIL	2-8d
23. 1" X 8" (25 mm X 203 mm) SHEATHING OR LESS TO EACH BEARING, FACE NAIL	2-8d
24. WIDER THAN 1" X 8" (25 mm X 203mm) SHEATHING TO EACH BEARING, FACE NAIL	3-8d
25. BUILT-UP CORNER STUDS	16d at 24" (610mm) o.c.
26. BUILT-UP ORDER AND BEAMS	20d at 32" (813 mm) O.C. AT TOP AND BOTTOM AND STAGGERED 2-20d AT ENDS AND AT EACH SPICE.
27. 2" (51mm) PLANKS	
28. WOOD STRUCTURAL PANELS AND PARTICLEBOARD: SUBFLOOR, ROOF AND WALL SHEATHING (TO FRAMING) (1 INCH=25.4mm)	
1/2" AND LESS	8d ³
19/32" - 3/4"	8d ⁴ OR 8d ⁵
7/8" - 1"	8d ³
1 1/8" - 1 1/4"	10d ⁴ OR 8d ⁵
CONCRETE SUBFLOOR-UNDERLAYMENT (TO FRAMING) (1 INCH=25.4mm)	
3/4" AND LESS	8d ⁵
7/8" - 1"	8d ⁵
1 1/8" - 1 1/4"	10d ⁴ OR 8d ⁵
29. PANEL SIDING (TO FRAMING): 1/2" (13 mm) OR LESS	8d ⁶
5/8" (16 mm)	8d ⁶
30. FIBERBOARD SHEATHING 1/2" (13 mm)	NO 11 GA 8 ⁹
	8d ⁴
25/32" (20 mm)	NO 16 GA 8 ⁹
	NO 11 GA 8 ⁹
	8d ⁴
	NO.16 GA 9
31. INTER PANELING 1/4" (6.4 mm)	4d 10
3/8" (9.5 mm)	8d 11

NOTE: All nail shall be box nails unless otherwise noted.

REVISIONS	
1	
2	
3	
4	
5	

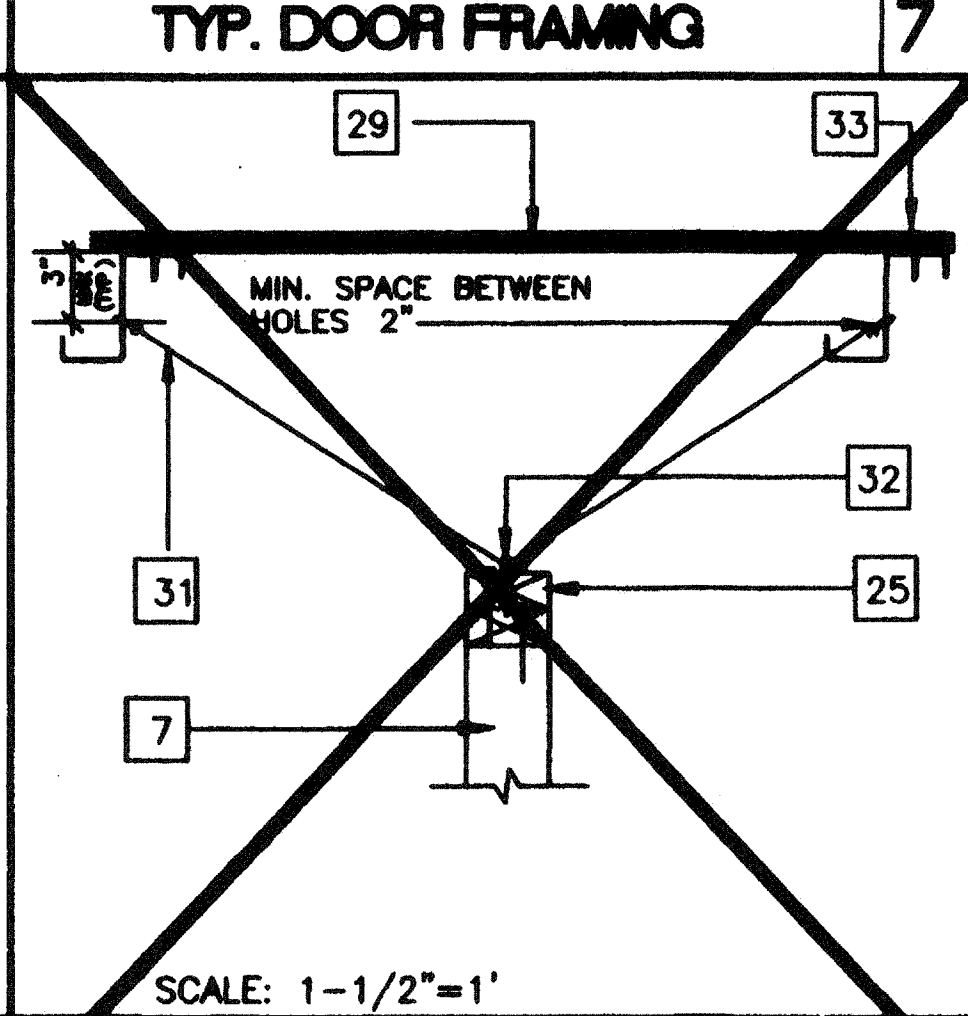
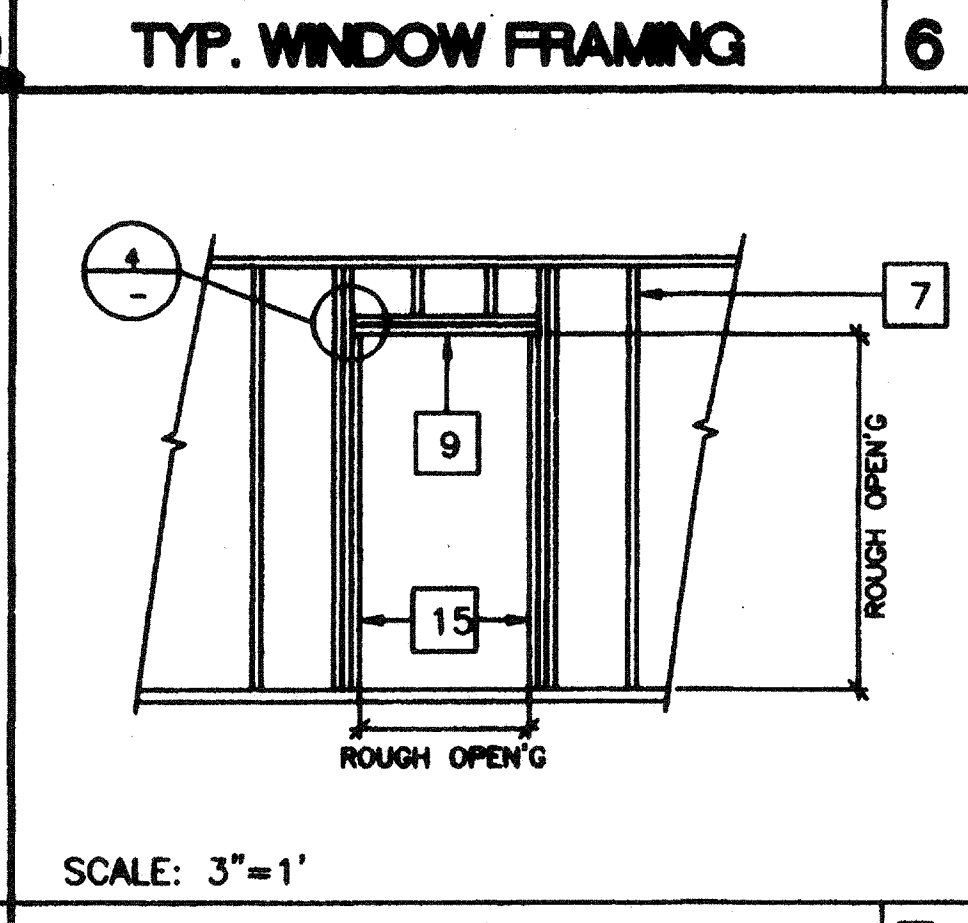
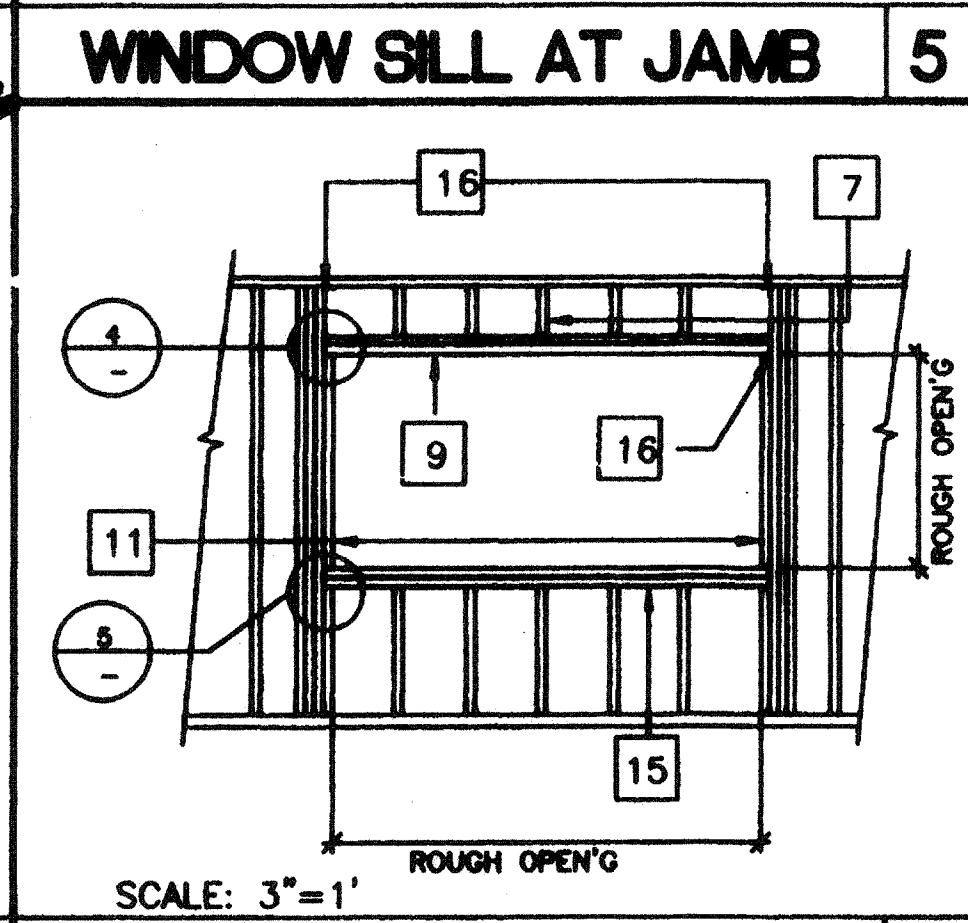
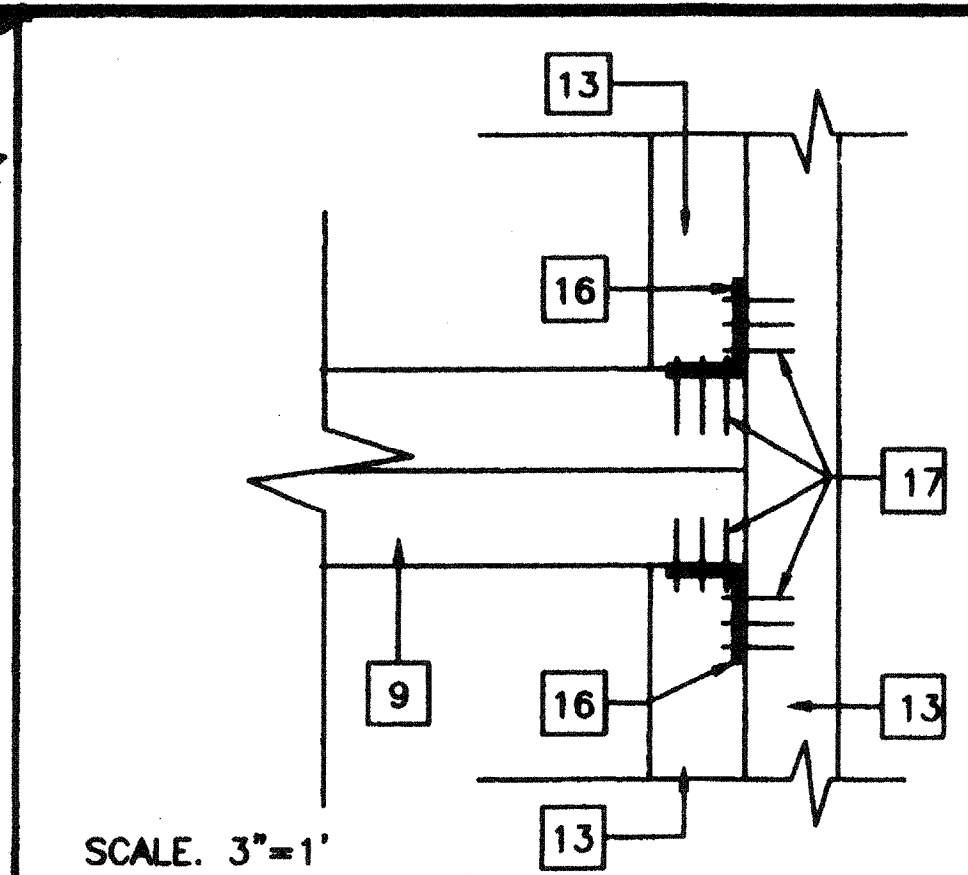
Electrical Engineer's Seal
Mechanical Engineer's Seal
Structural Engineer's Seal
Architect's Seal
Division of the State Architect
IDENTIFICATION STAMP
DIV. OF THE STATE ARCHITECT
OFFICE OF REGULATION SERVICES
PS-266
AC: [Signature]
DATE: JUN 2 1997



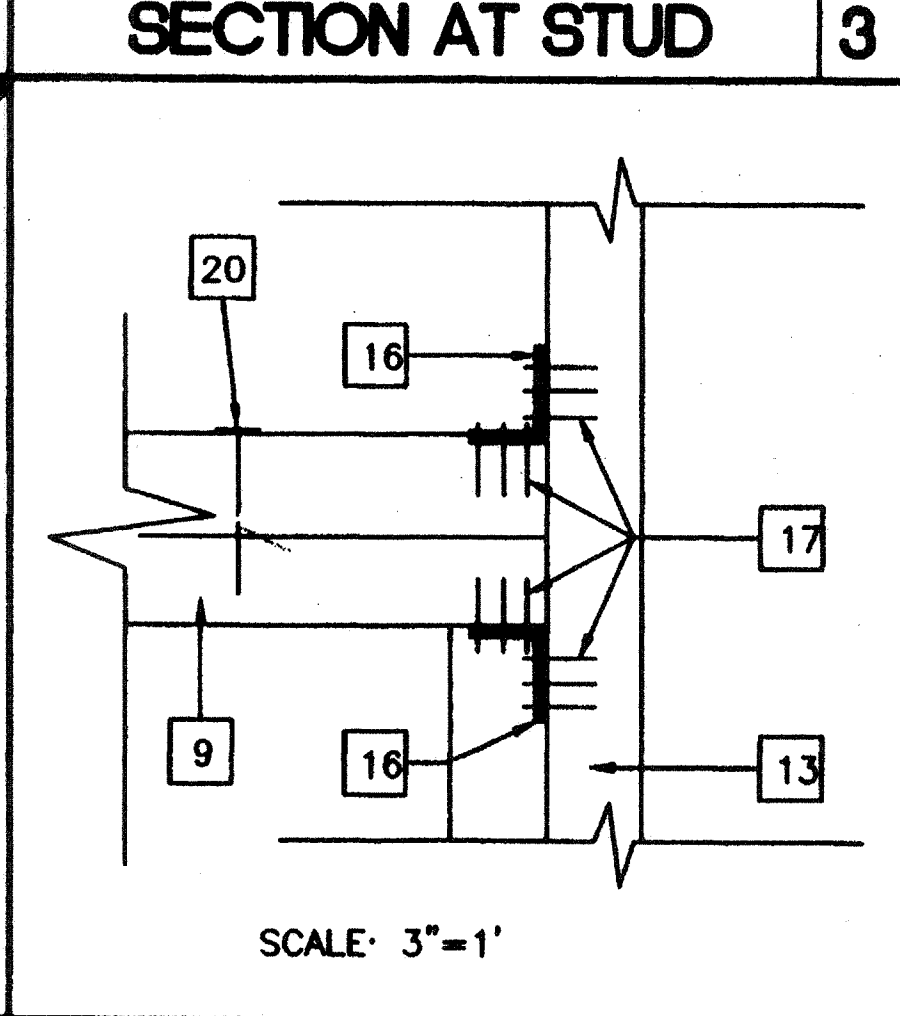
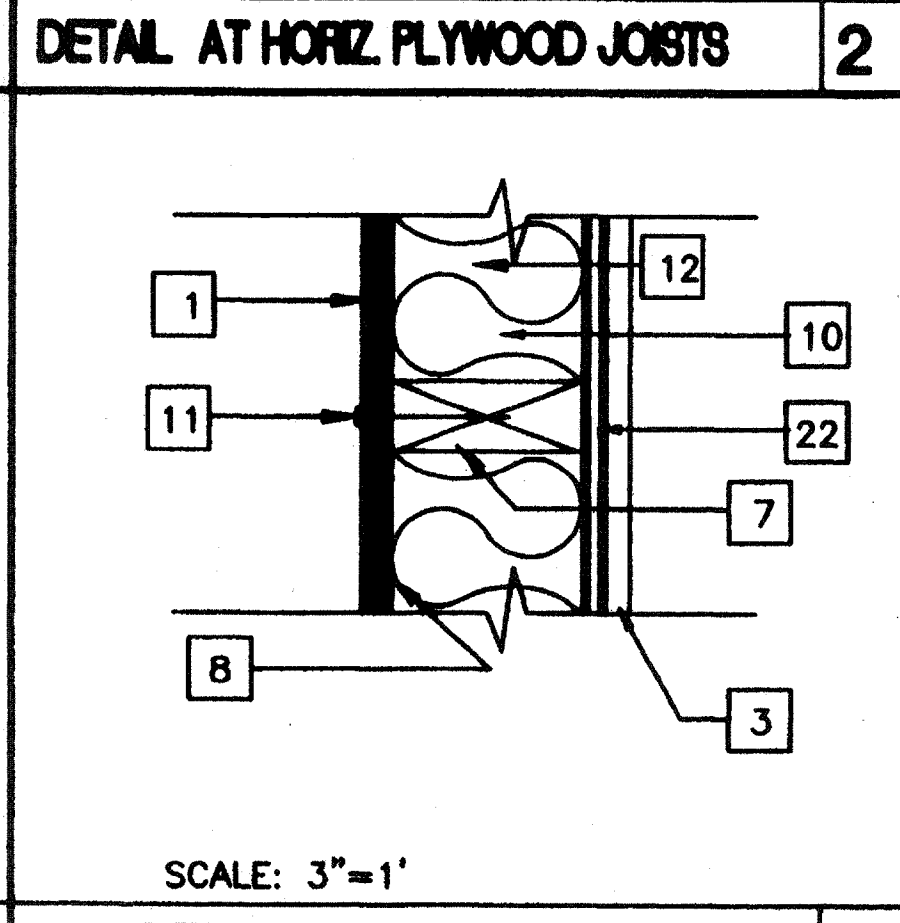
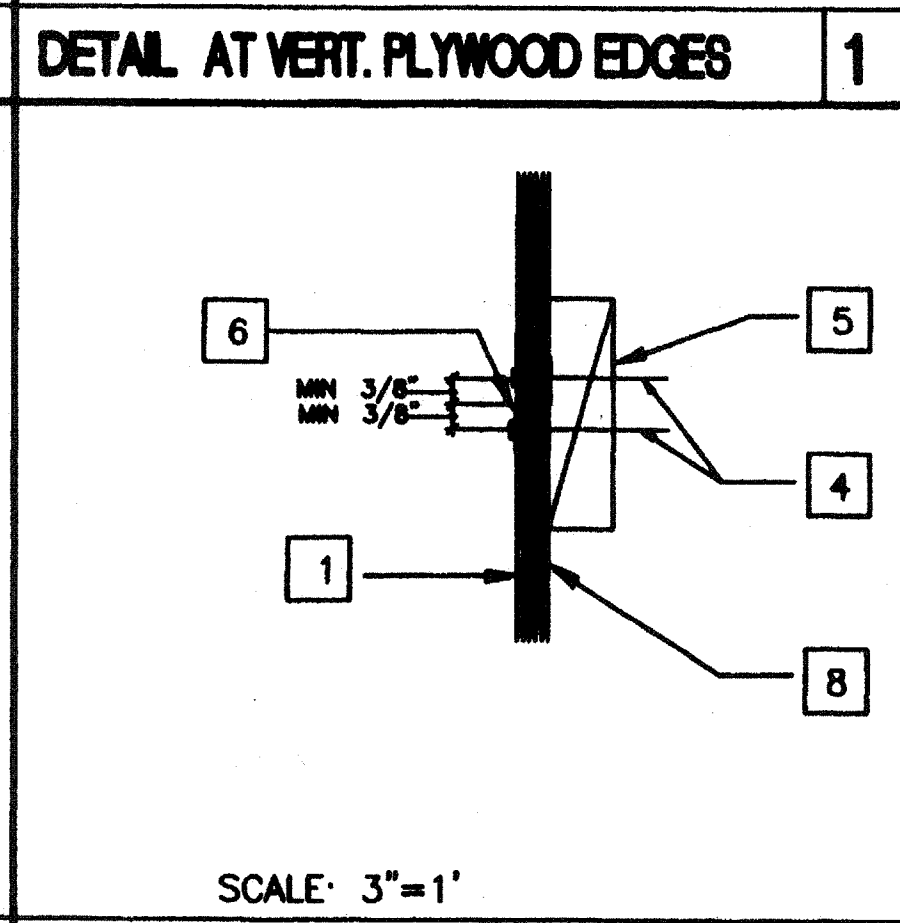
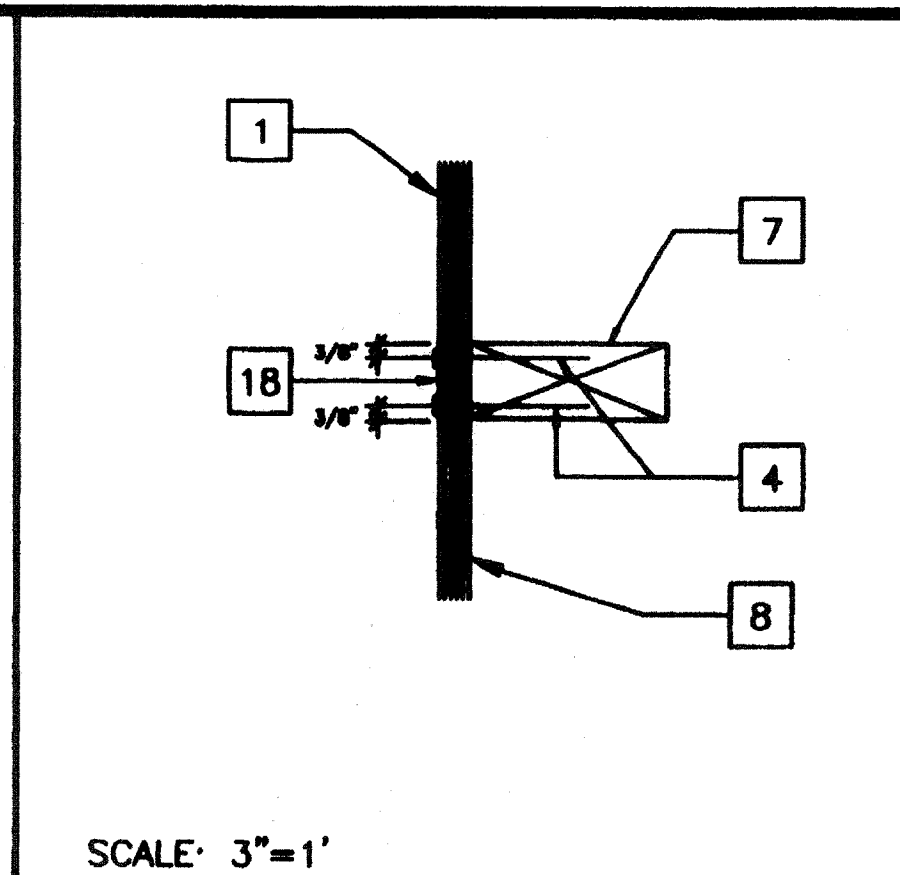
OPENING SCHEDULE					
OPENING	HDR.	SILL	JAMB	ROUGH OPENING	
				HEIGHT	WIDTH
3068	(2) 2X4	(2) 2X4	(2) 2X4	81 1/4"	38"
8040	(3) 2X4	(2) 2X4	(4) 2X4	48 1/8"	96 1/8"

ALTERNATE: METAL STUD 24 HDS350 IN LIEU OF 2X4 WD STUDS

ROUGH OPENING SCHEDULE	
REVISED	12



DETAIL: PARALLEL PARTITION CONN.	
8	4



HEADER DETAIL	
4	3

KEY NOTES

- EXTERIOR PLYWOOD SIDING - SHEATHING NAIL W/GALV. BOX NAILS - 8d @ 6" O.C EDGES, 8d @ 12" O.C. IN FIELD
- GYP. BOARD
- TYP. INTERIOR FINISH-SEE FINISH SCHEDULE
- E.N.
- 2X4 BLK'G
- "Z" FLASHING
- 2X4 @ 16" O.C.
- WATERPROOF MEMBRANE
- HEADER SEE SCHEDULE 12/SS.1
- INSULATION SEE SPECIFICATIONS
- 8d ELECTRO GALV. 12" O.C.FN.
- 2X4 SILL PLATE (BELOW)
- FULL HEIGHT STUDS AND 1-2X4 TRIMMER (SEE WINDOW SCHEDULE FOR JAMB STUDS REQ'D)
- NOT USED
- SILL PLATE (SEE SCHEDULE)
- A 34 CLIPS @ HEADER AND SILL TO FULL HEIGHT STUDS AND FULL HEIGHT STUDS TO TOP AND BOTTOM PLATES
- 9GA. 8d 1 1/2" NAILS
- LAP JOINT
- NOT USED
- 16D @ 16" O.C.
- ROOF CHANNEL
- ATTACH GYP. BD. TO STUDS W/6d COOLERS @ 6" O.C.
- 2X4 BOTTOM PLATE W/16d @ 16" O.C
- PLYWOOD FLOOR
- 2X4 DBL TOP PLATE
- SIMPSON A35 W/8d X 2 1/2"
- 2X4 BRACE @ 8'-0" O.C. MAX. @ MAX 45'
- #12 X 2 TYPE A HEX HEAD SCREWS W/WASHERS (TYP. FOR 3)
- PLYWOOD SHEATHING
- ROOF PURLIN
- ATTACH 12GA. BRACE WIRES TO EYE LAG SCREWS AND TO ROOF PURLINS @ 8'-0" O.C. ENDS TO HAVE 4 TIGHT WRAPS IN 1-1/2"
- 1/4" 2-1/2" EYE LAG SCREW @ 8'-0" O.C. (Z" EMBEDMENT)
- ATTACH PER ROOF FRAMING PLAN (TYP.)
- PLENUM
- DUCTWORK
- ROOF PURLIN
- TRANSFER BOX

IDENTIFICATION STAMP
DIV. OF THE STATE ARCHITECT
OFFICE OF REGULATION SERVICES
AC: [Signature]
DATE: JAN 07 1999

APP#3 117¹⁶⁸
AC: [Signature]
DATE: AUG 04 2008

PROJECT NUMBER: 2986 © MODTECH, INC. 1997
drawn by: 4012-088
checked by: 05 JAN 99
date: [Signature]
project no: [Signature]
MODTECH Index No: [Signature]

STKP-42 4/24/98

S5.1

FILE # P266S1.DWG PROJECT NO. 2986 PC-266