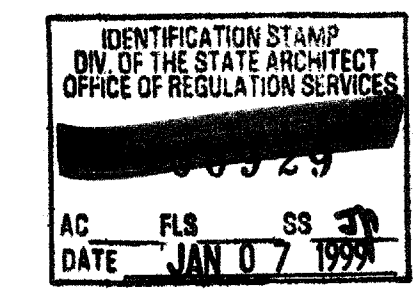


PROJECT NO. 2486
PC-286
FILE # P286 A6.1 LOW

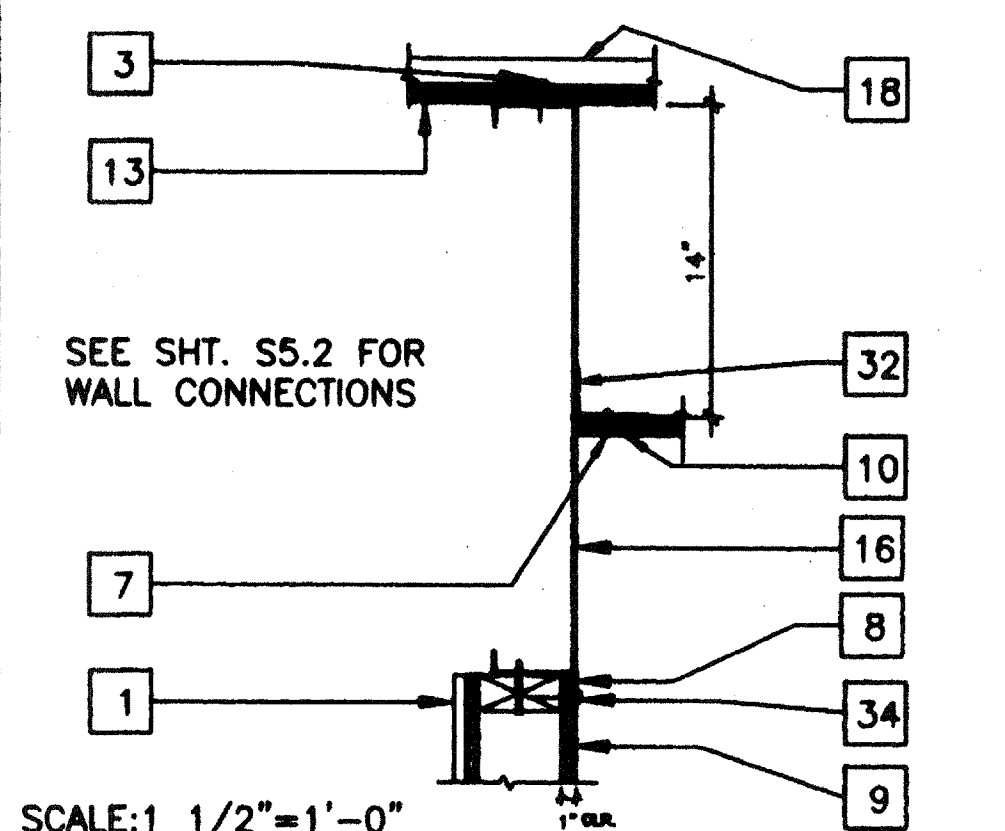
KEY NOTES

- 1 TYP. INTERIOR FINISH
- 2 TYP. EXTERIOR FINISH
- 3 E.N. RF. PLYWOOD TO BEAM (STR)
(DO NOT PENETRATE METAL ROOFING)
- 4 2X4 STUD TYP.
- 5 CAP CLOSURE @ RIDGE 26GA. GALV. W/#10 STSMS
@ 12" TAGGER W/NEOPRENE WASHERS TO RIB
BOTH SIDES OF MODLINE SET CAP IN SEALANT.
- 6 TUBE STEEL (STR)
- 7 #10 S.T.S.M.S. @ 6" O.C. EN & 12" O.C. FN /
ALT. USE AEROSMITH AKN 144.0175 DRIVE PIN.
- 8 SEALANT TYP. (SEE SPECIFICATIONS)
- 9 EXTERIOR WALL (SEE S5.2 FOR CONNECTIONS)
- 10 SOFFIT (SEE SPECIFICATIONS)
- 11 ROOF BEAM (STR)
- 12 .080 X 1 1/2" SCREW SHANK NAILS ROOF CLIP TO
ROOF DECKING (SEE NOTE 18 FOR ROOF CLIP)
- 13 PLYWOOD ROOF SHEATHING (STR)
- 14 FULL DEPTH STIFFENER PLATE (SEE STR)
FOR LOCATION)
- 15 ANCHOR CLIPS @ 24" O.C. & WITHIN 6" @ END
OF ROOF DECKING
- 16 ROOF HEADER (STR)
- 17 G.I. FLASHING 22GA.
- 18 STANDING SEAM ROOF (SEE A2.0 FOR GA.)
- 19 ROOF PURLIN (STR)
- 20 CONTINUOUS 2X4 TOP PLATE
- 21 GALV. FLASHING (ONLY AT CONCRETE BELOW
GRADE FOUNDATION)
- 22 CONTINUOUS 26GA. GUTTER
- 23 WEATHERPROOF MEMBRANE
(25-30LBS. ASPHALT COATED)
- 24 FLOOR BEAM (STR)
- 25 2X4 SILL PLATE ATTACHED PER 4/S5.2
- 26 SEALANT @ END OF SEAM
- 27 ATTACHMENT BRACKET (TYP. 3-PLACES, TOP, BTM.,
& MIDSPAN W/2-#10STSMS BRACKET TO COLUMN)
- 28 POP RIVETS MIN. 1/8"
- 29 DOWNSPOUT
- 30 PLYWOOD FLOOR SHEATHING
- 31 ROOF FACIA HEADER (STR)
- 32 1/2"X1 1/2"X14GA. < TACK WELD IN PLANT
- 33 GALVANIZED COUNTER FLASHING (BY OTHERS)
- 34 EN (8d ELECTRO GALV. @ 6" O.C.)

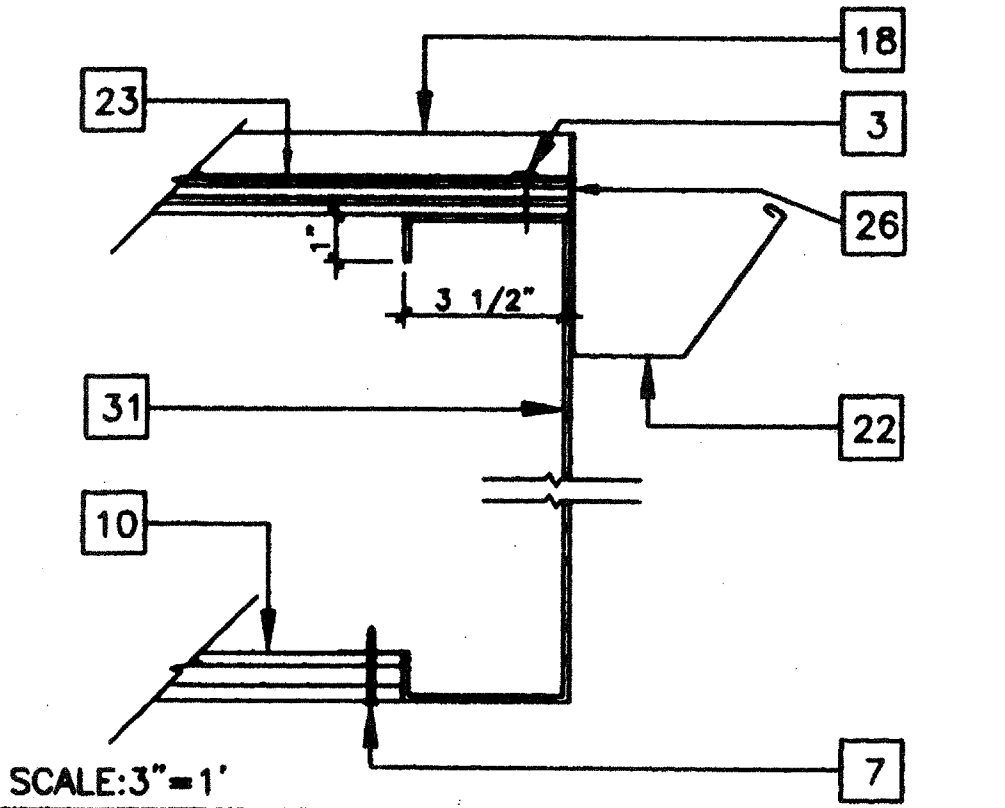


IDENTIFICATION STAMP
DIV. OF THE STATE ARCHITECT
OFFICE OF REGULATION SERVICES
APP#3 117160
AC / FLS / SS / TN
Date AUG 04 2018

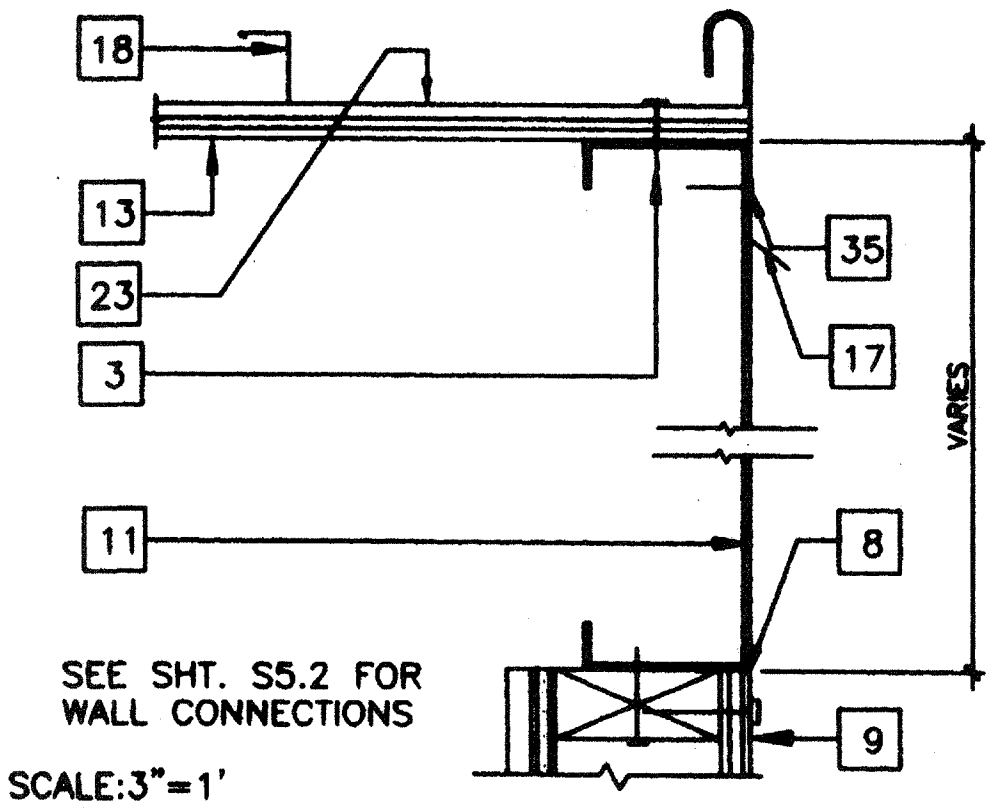
STKP-42 11/29/98



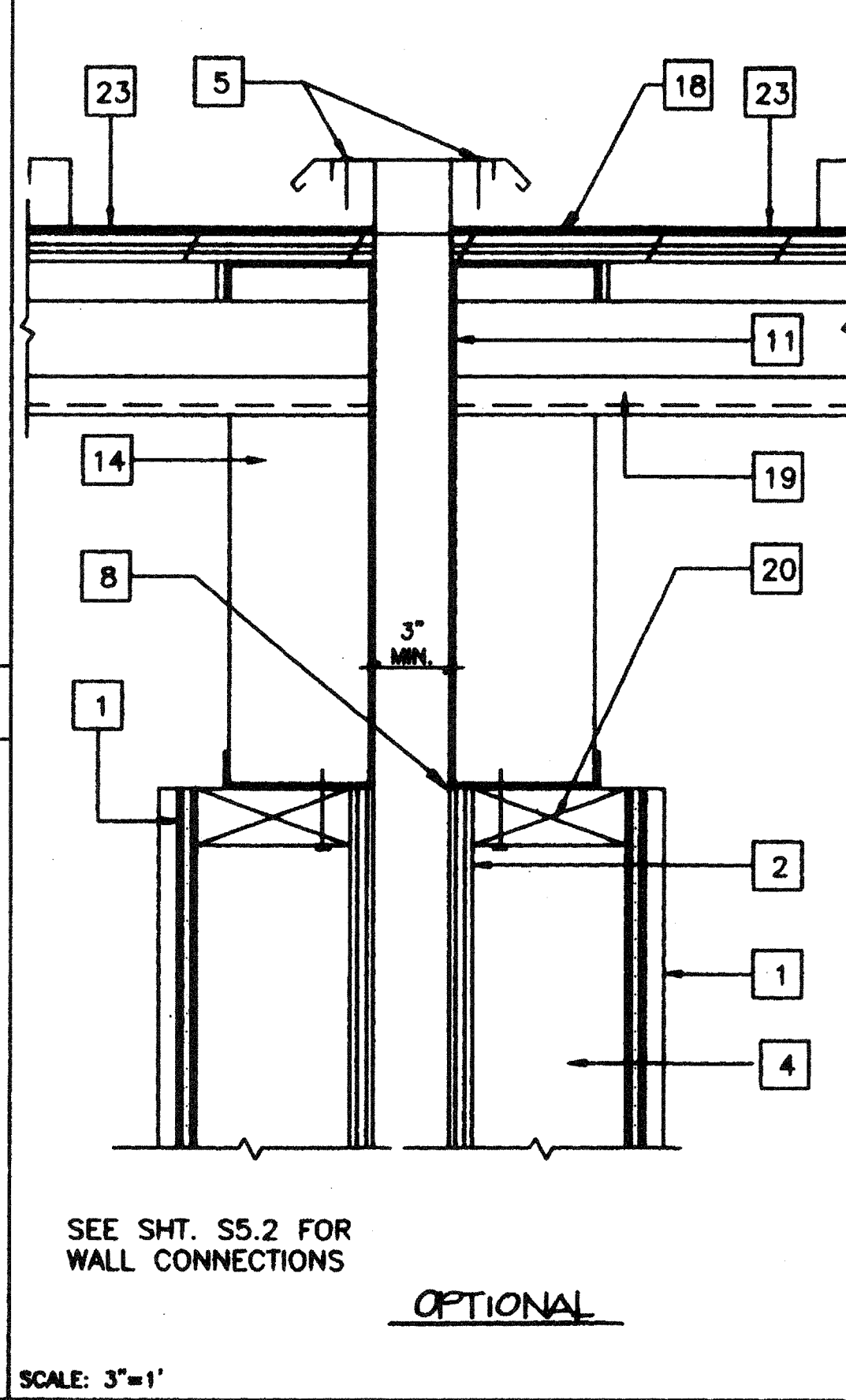
END WALL AT ROOF 1



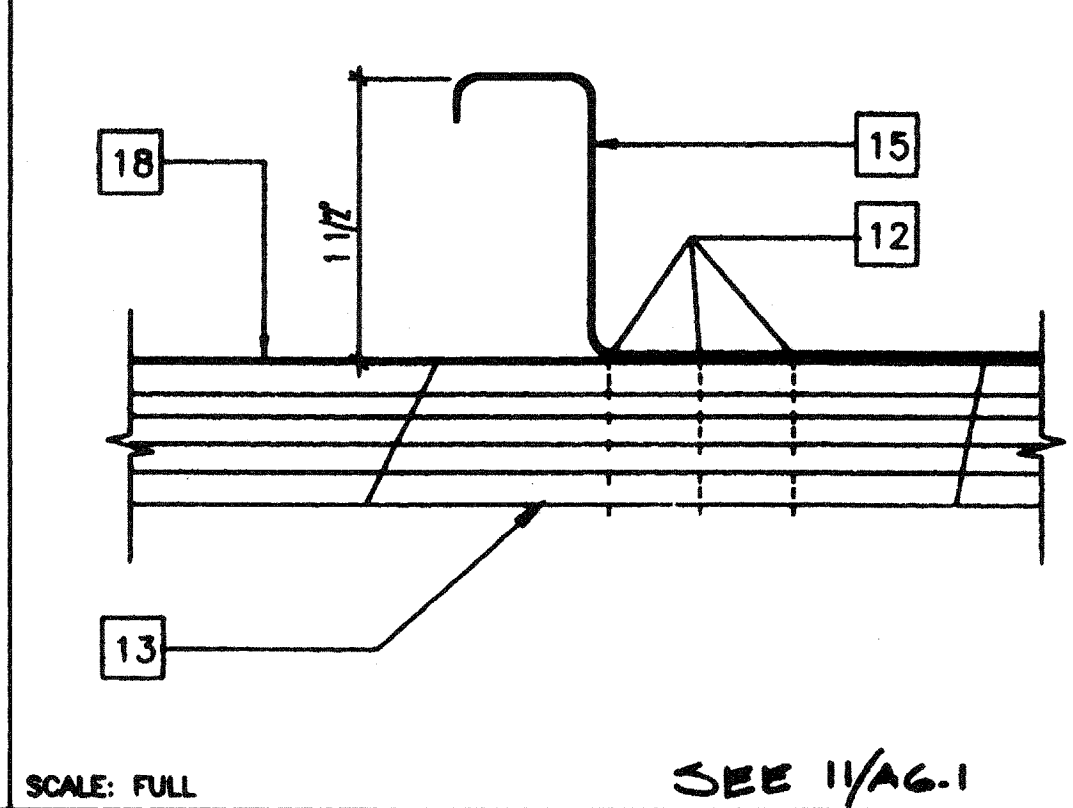
GUTTER AT RF. FACIA BM. 2



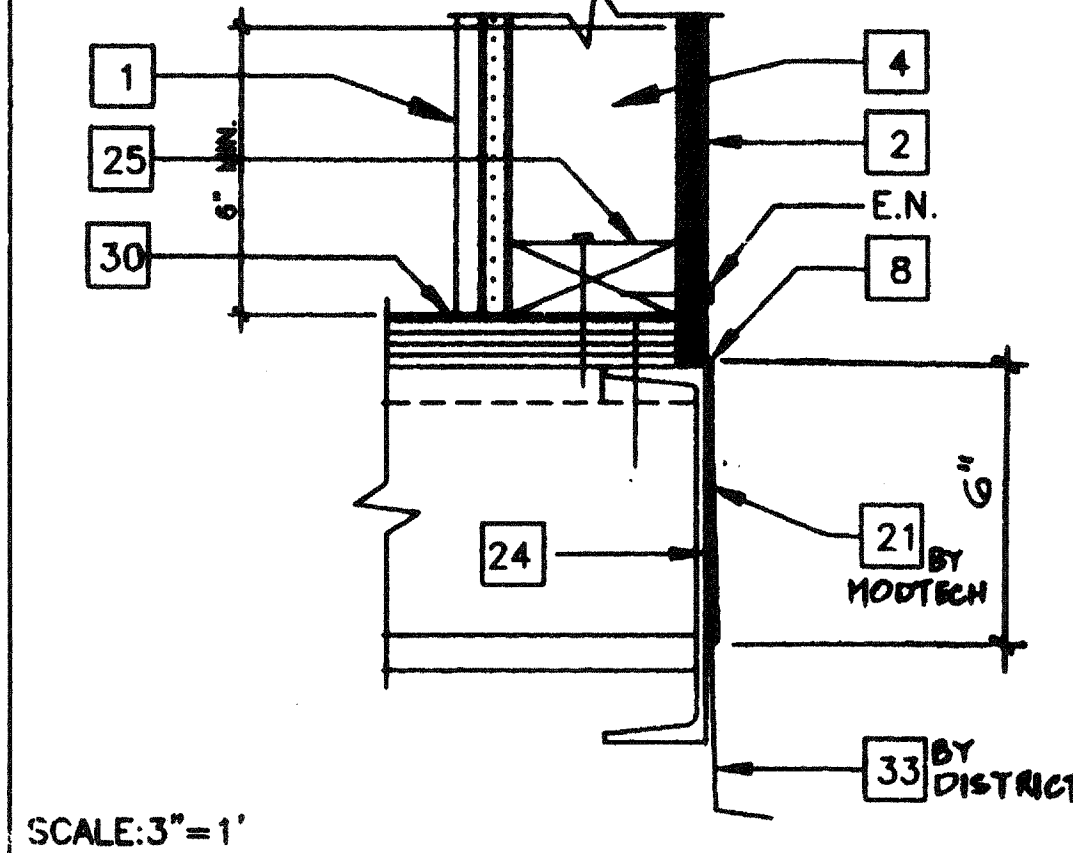
ROOF FLASHING AT RF.BM. 3



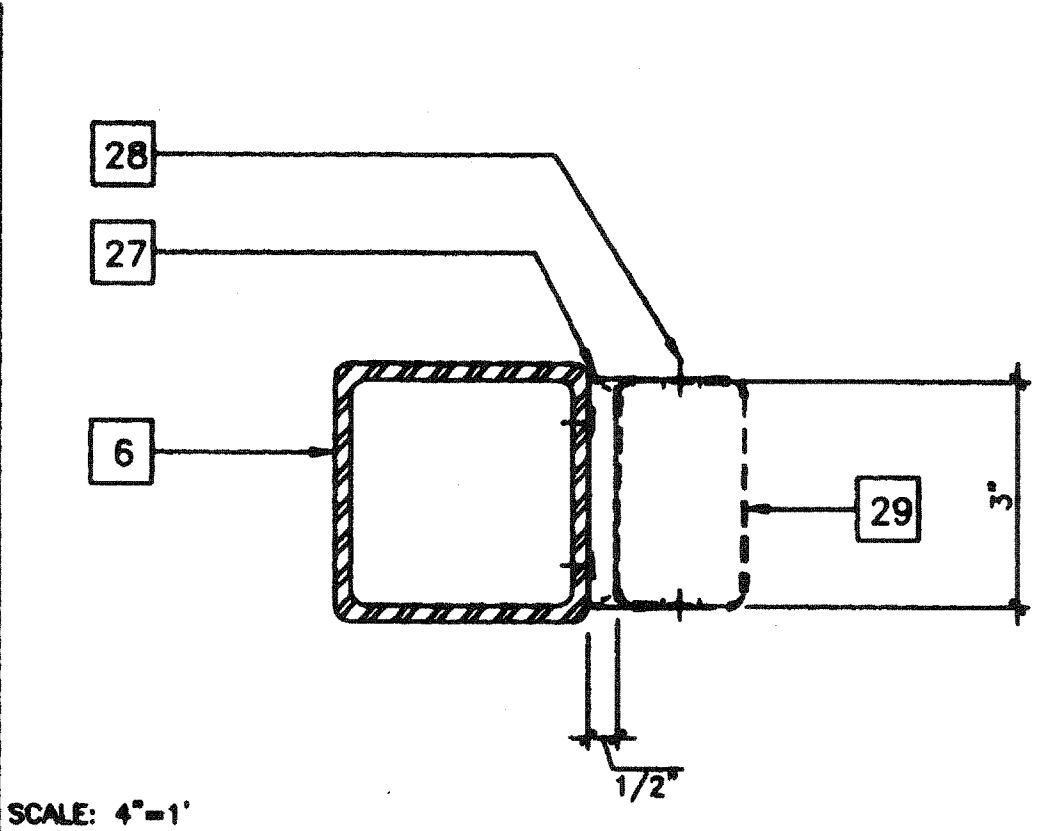
ROOF CAP AT SEP. 5



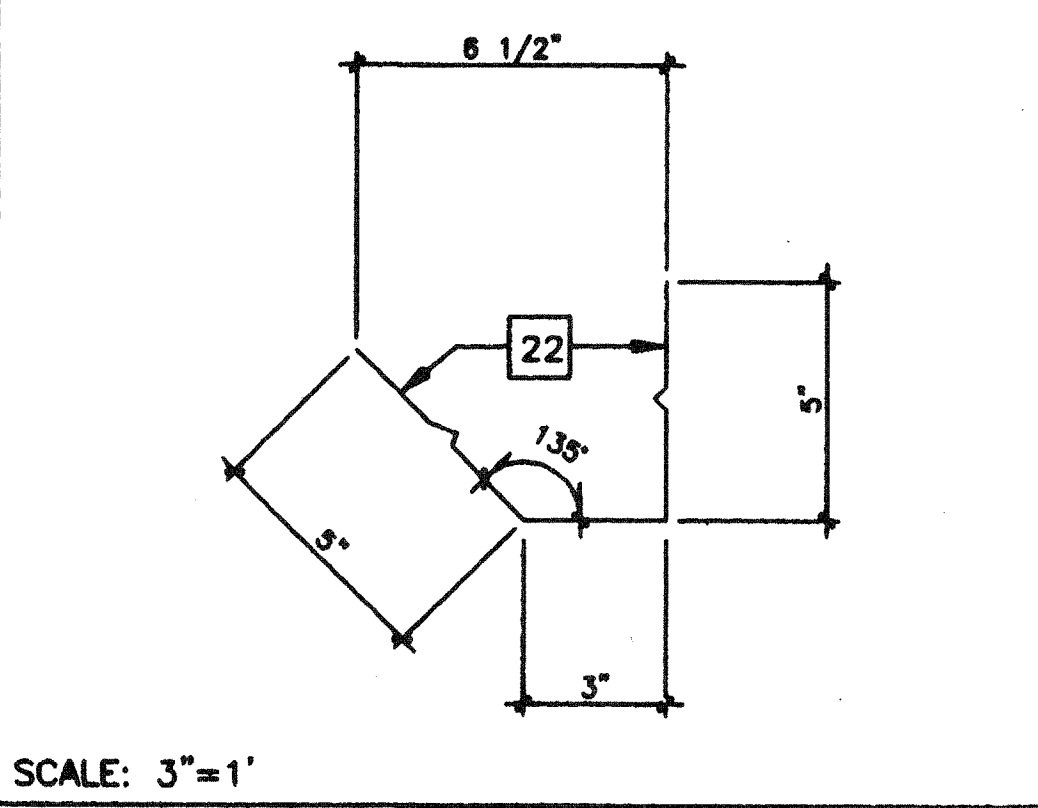
ROOF CLIP 10



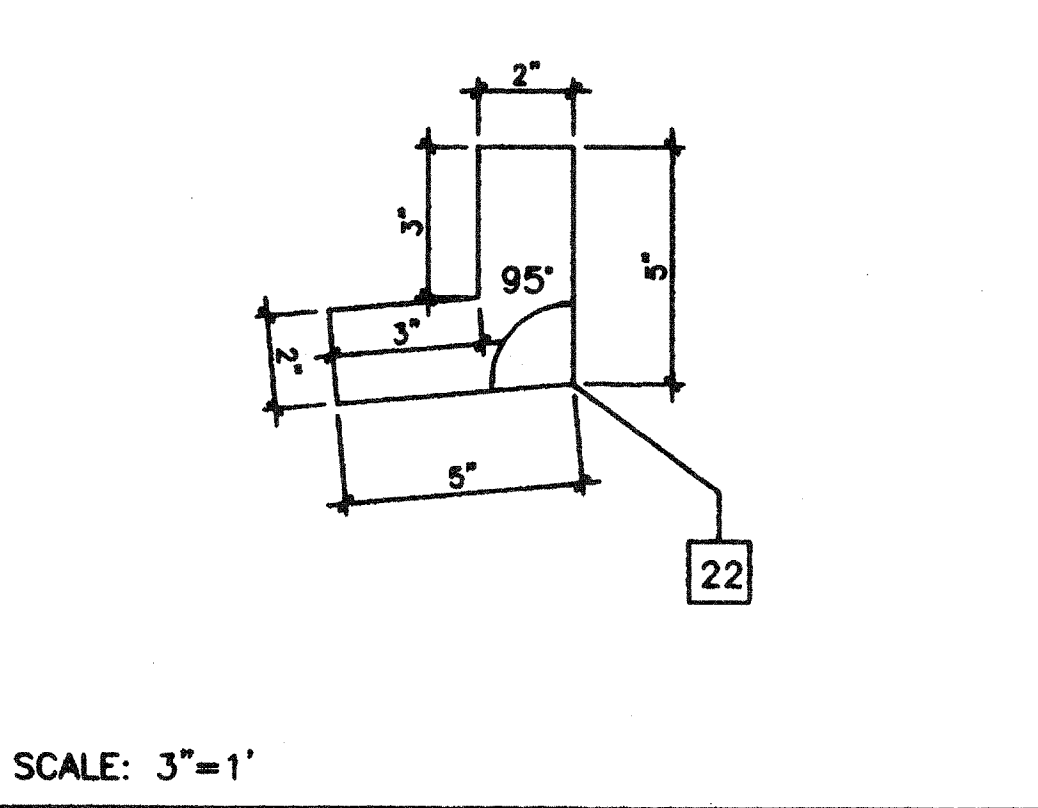
TYPICAL SILL AT FLOOR 7



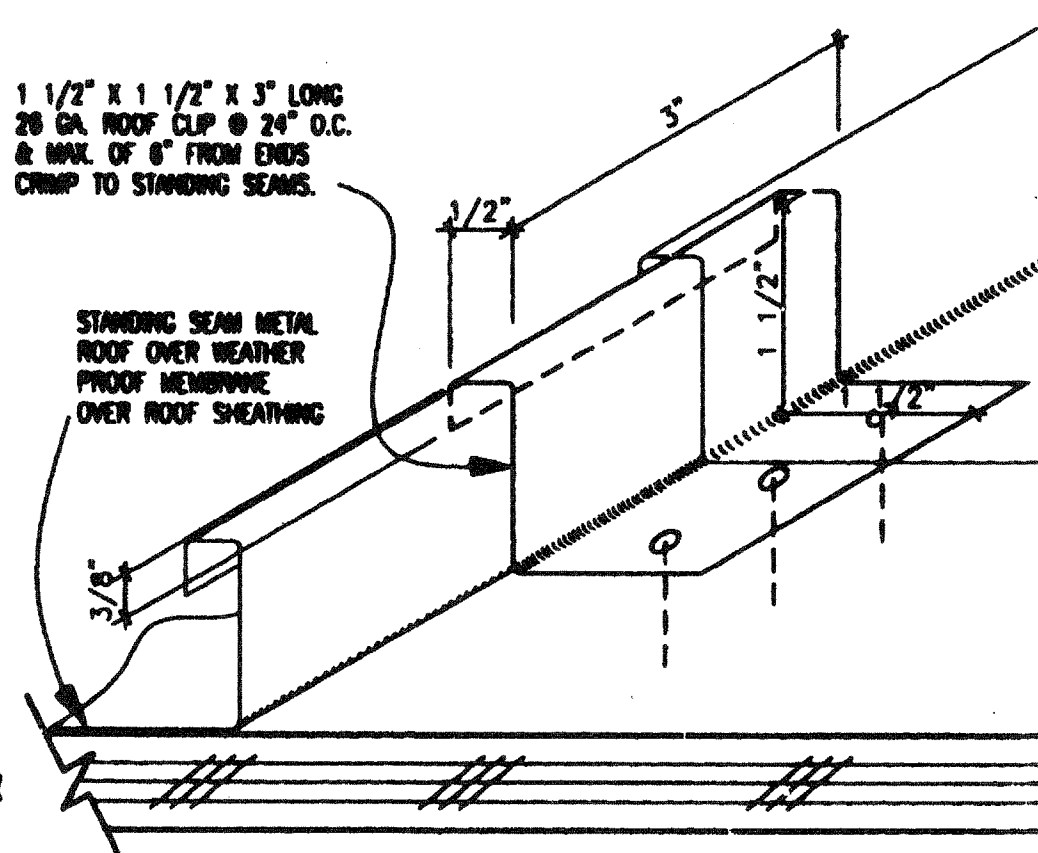
DOWNSPOUT ATTACHMENT 8



CONTIN'S GUTTER 9



CONTIN'S GUTTER AT BEND 10



REVISI 11

REVISIONS	Electrical Engineer's Seal	Mechanical Engineer's Seal	Structural Engineer's Seal	Architect's Seal	Division of the State Architect

PROJECT NUMBER: 2986 © MODTECH, INC. 1997

MODTECH INC.
2830 BARRETT AVENUE
PERRIS, CALIF. 92572
PH (909) 943-4014
FAX (909) 940-0427

IDENTIFICATION STAMP
DIV. OF THE STATE ARCHITECT
OFFICE OF REGULATION SERVICES
PC-286
AC / FLS / SS / TN
DATE JUN 25 1997

drawn by: 4012-088
checked by: 05 JAN 99
Project no: 2986
MODTECH Index No.