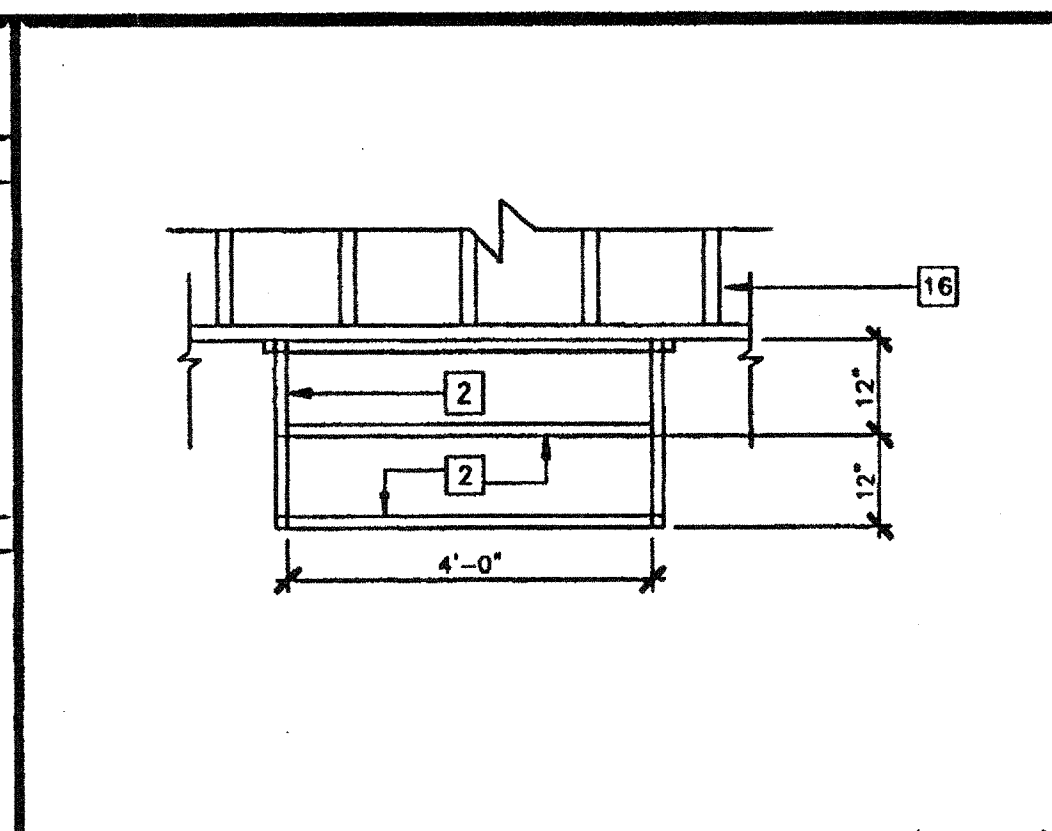
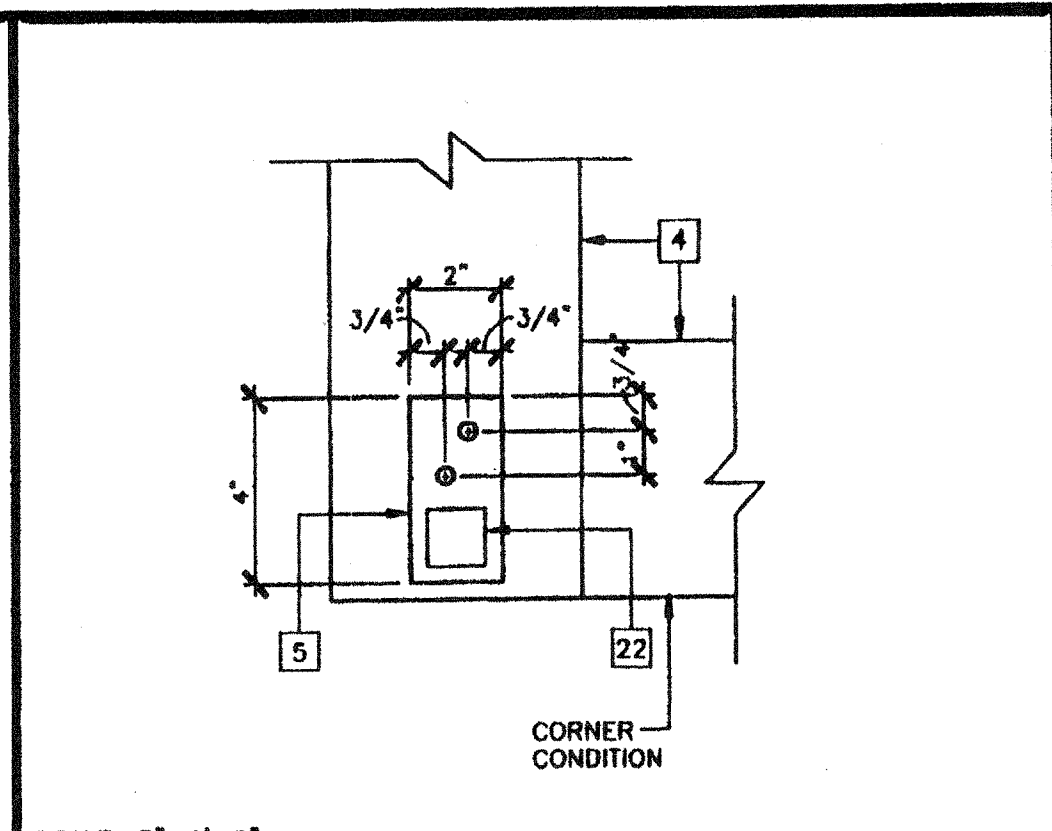


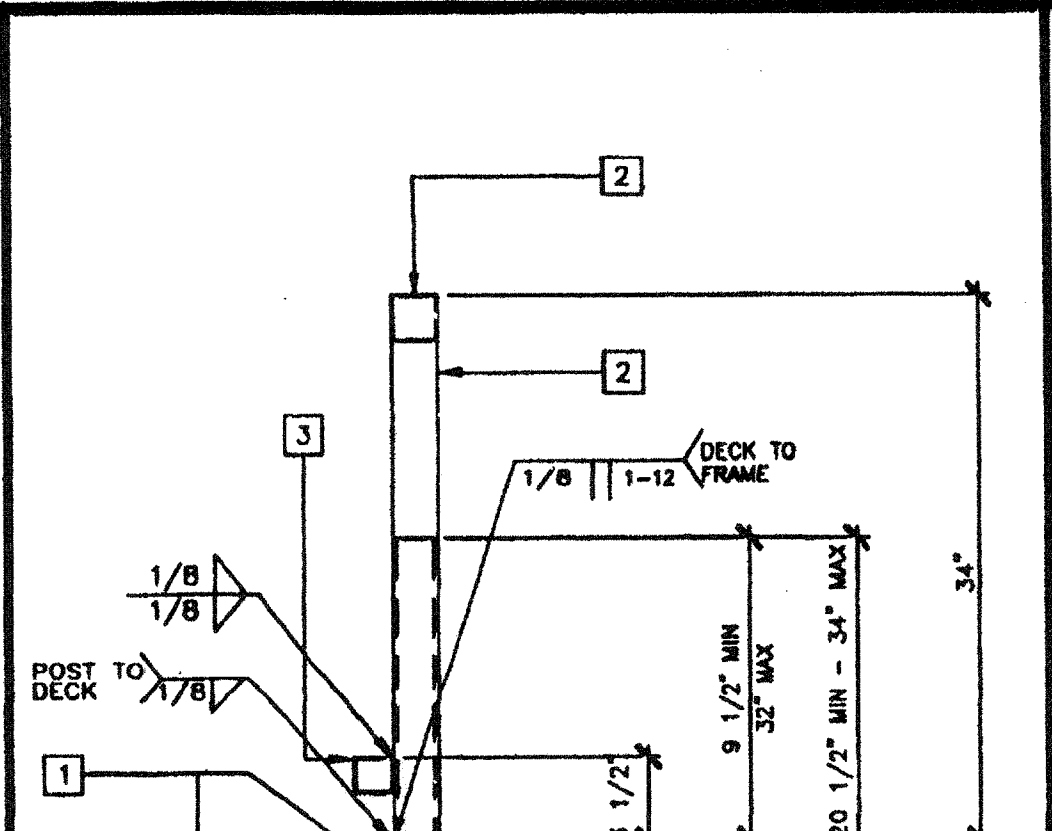
SCALE: 1 1/2"=1'-0" (OPTIONAL)
STAIR SECTION 16



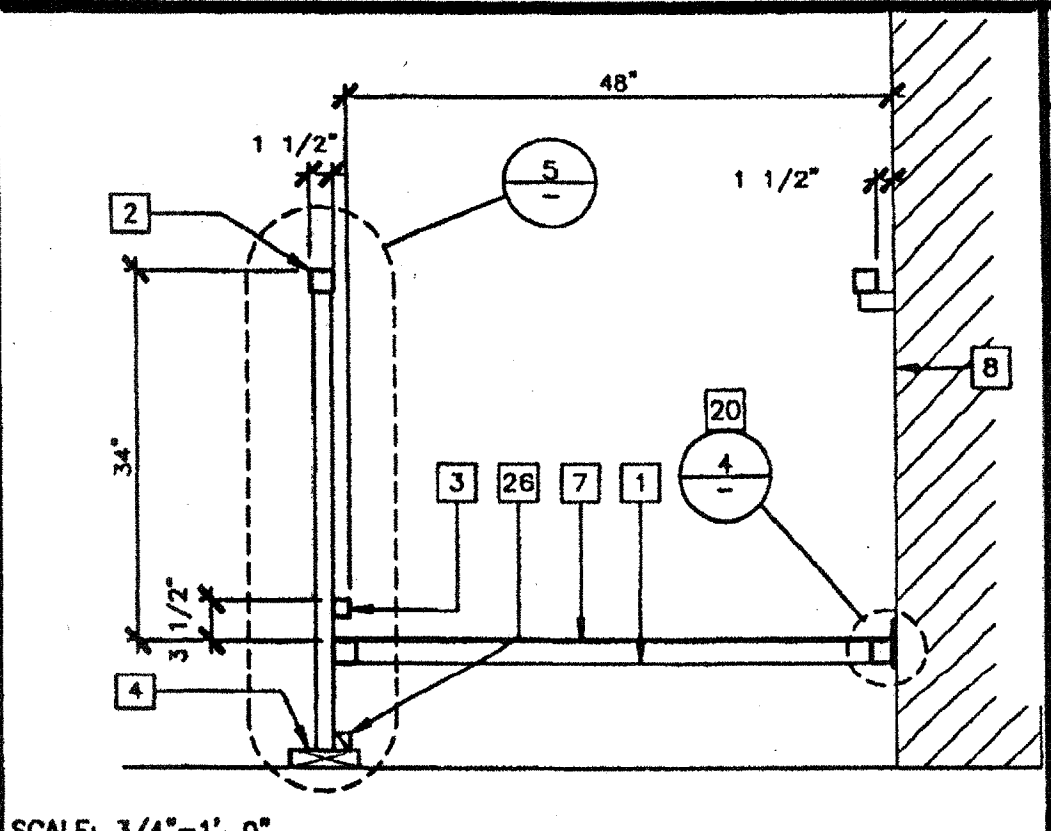
SCALE: 1/2"=1'-0" (OPTIONAL)
STAIR FRAMING PLAN 12



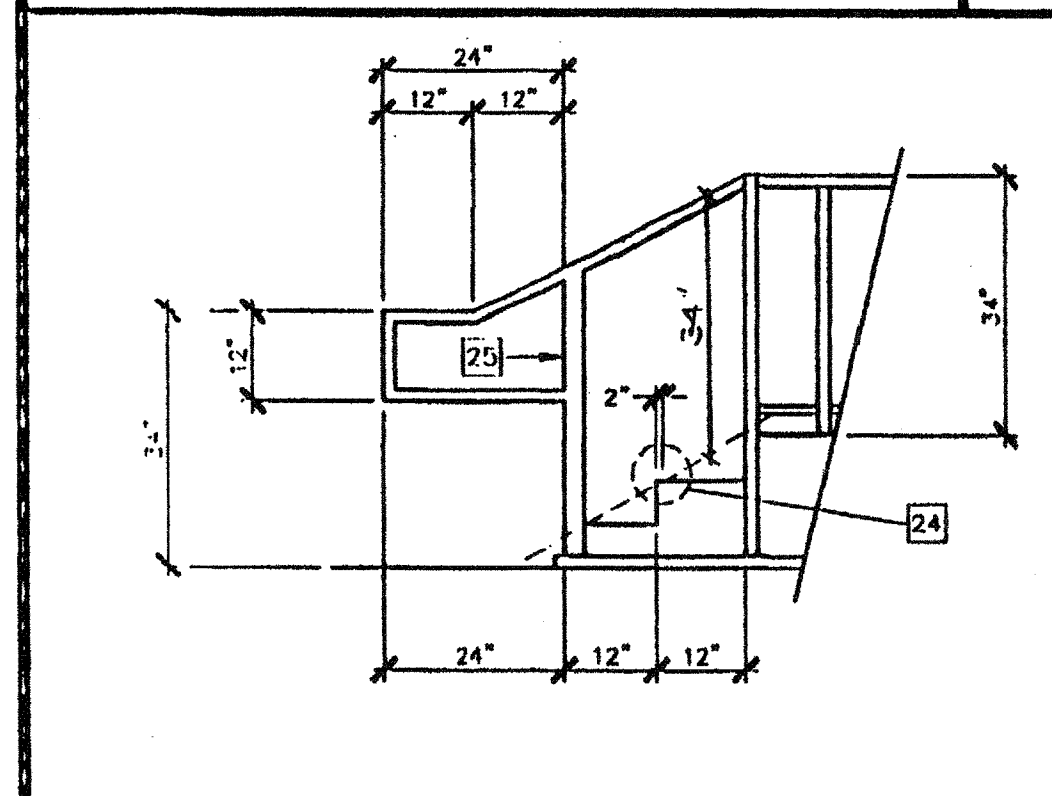
SCALE: 3"=1'-0"
ADJUSTABLE LEG BASE PLATE 8



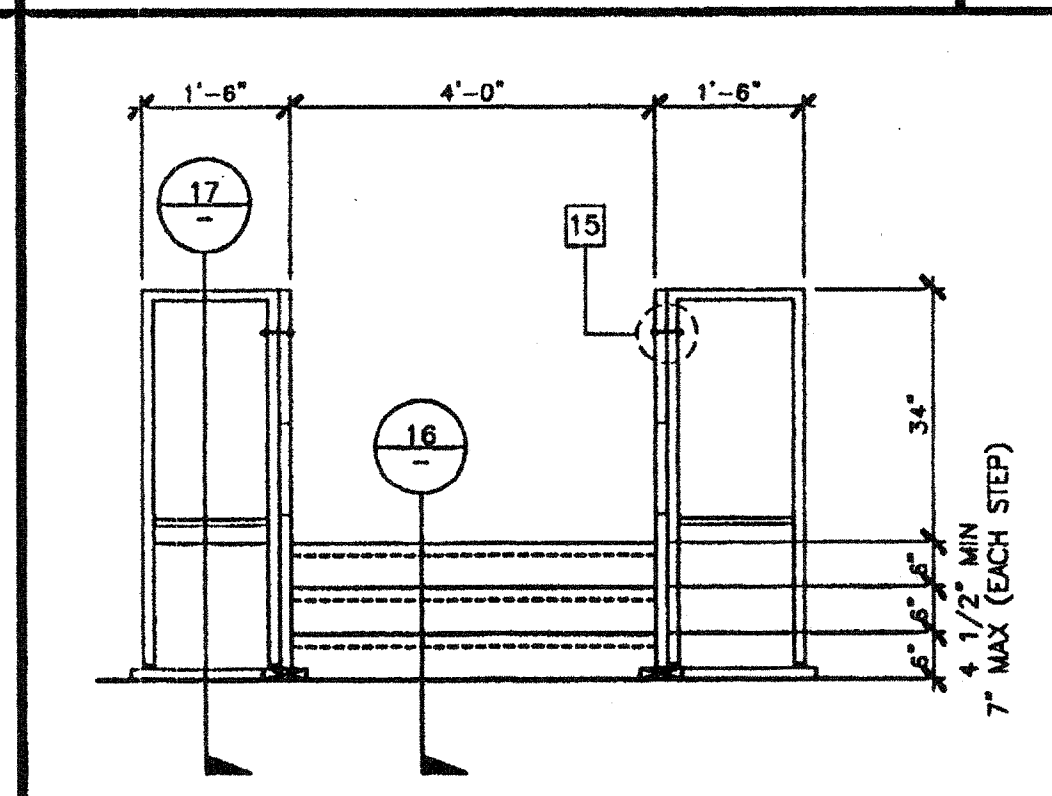
SCALE: 3"=1'-0"
ADJUSTABLE LEG 5



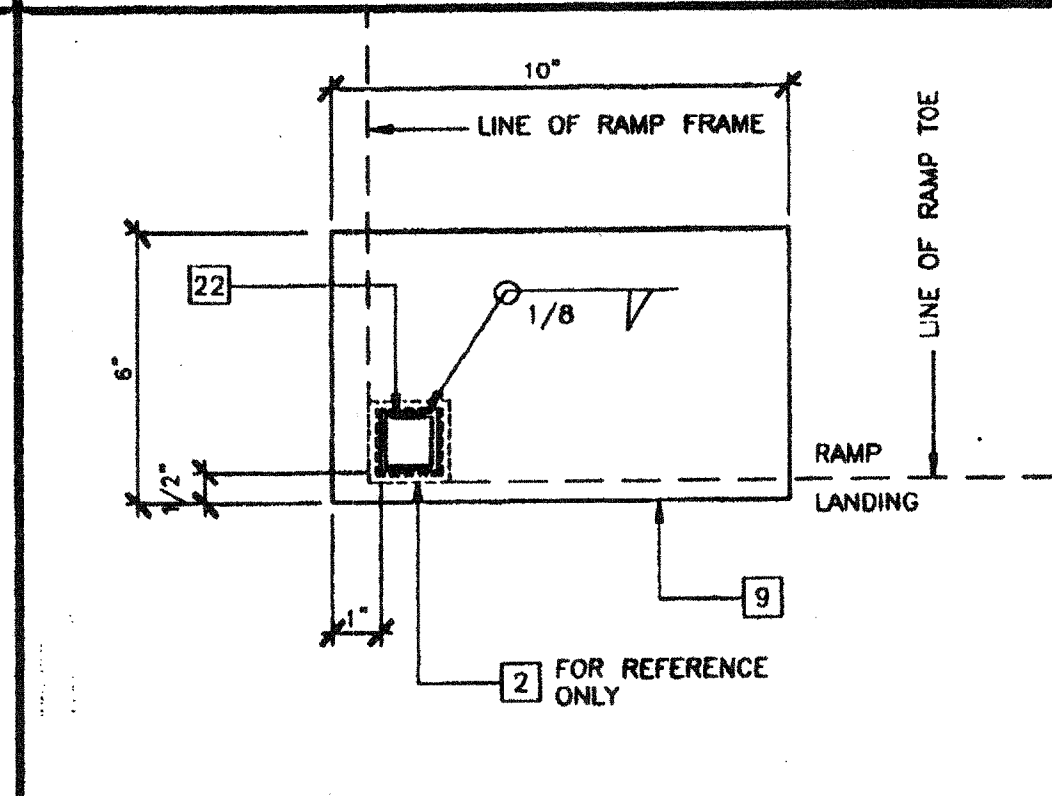
SCALE: 3/4"=1'-0"
SECTION AT RAMP 1



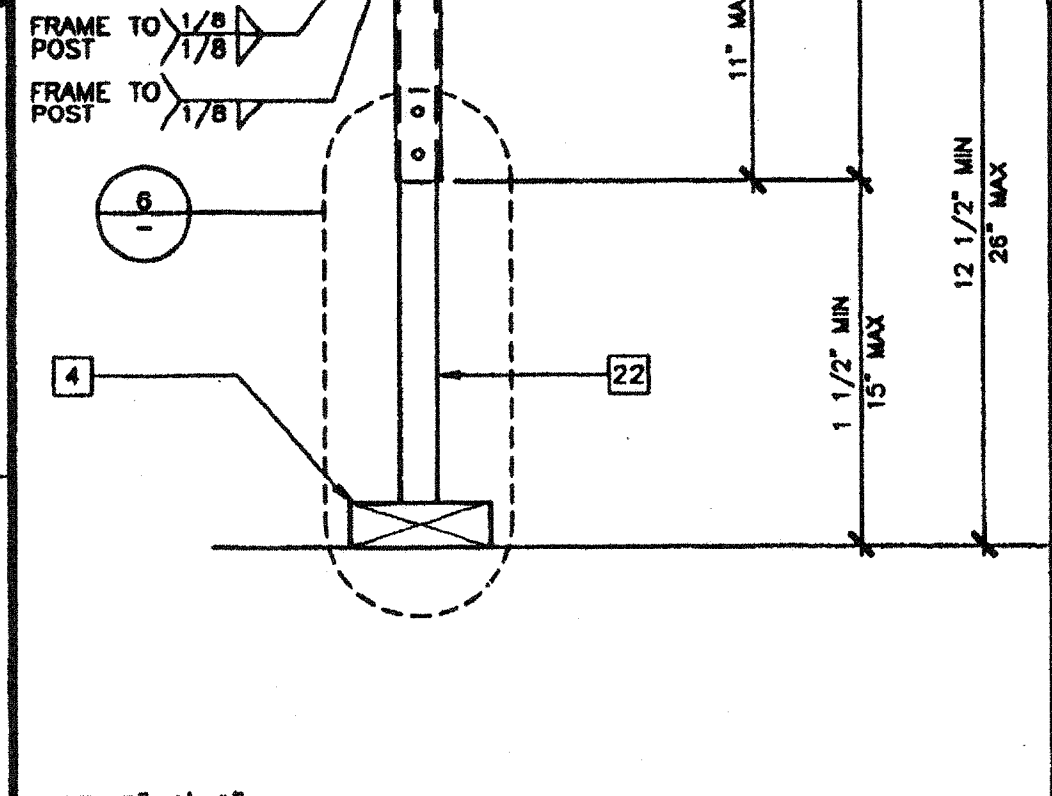
SCALE: 1/2"=1'-0" (OPTIONAL)
STAIR ELEVATION 17



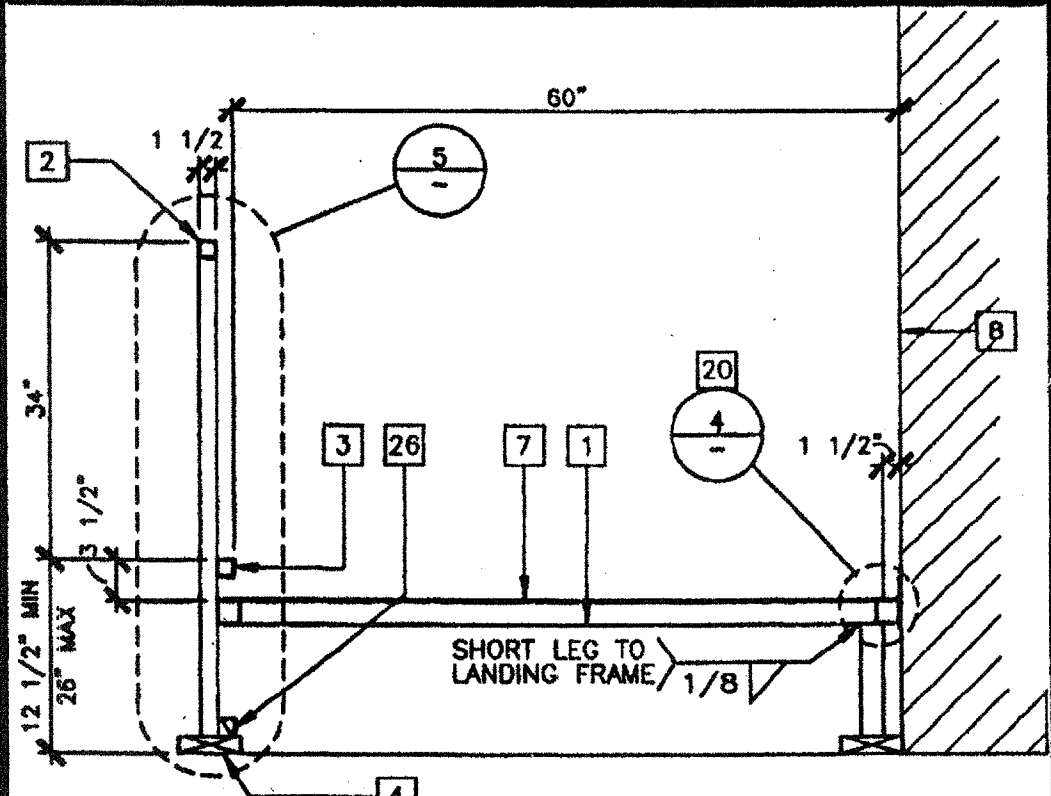
SCALE: 1/2"=1'-0" (OPTIONAL)
STAIR ELEVATION 13



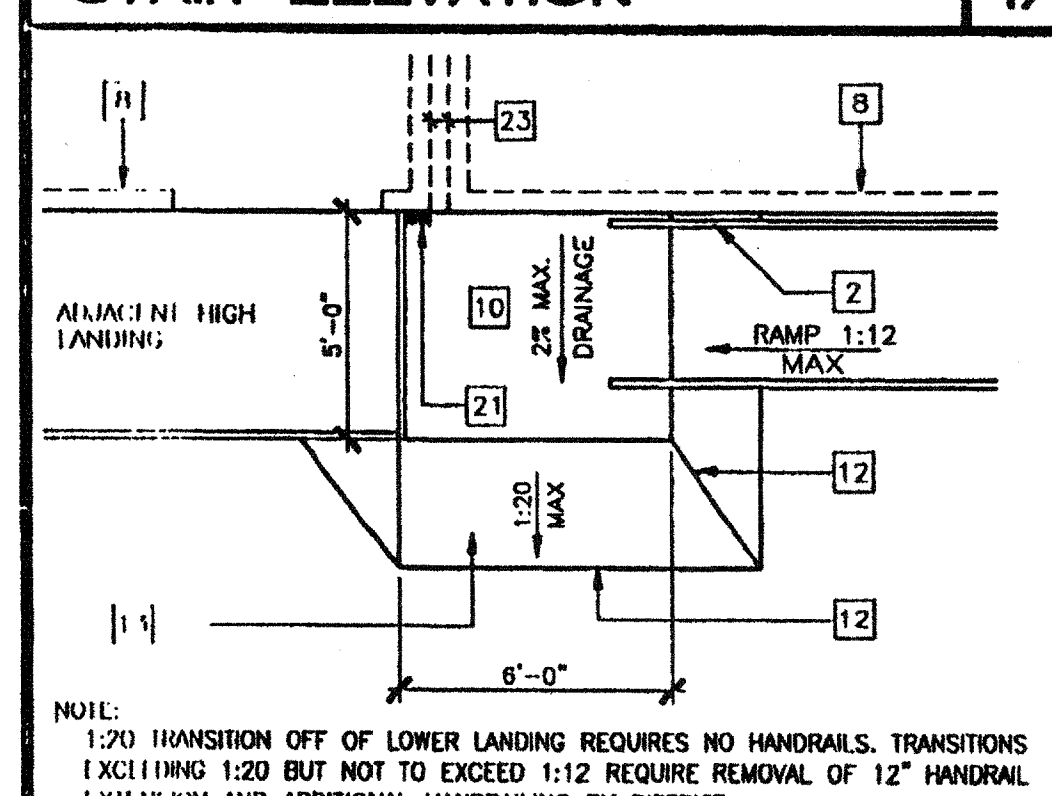
SCALE: 3"=1'-0"
BASE PLATE AT RAMP TOE 9



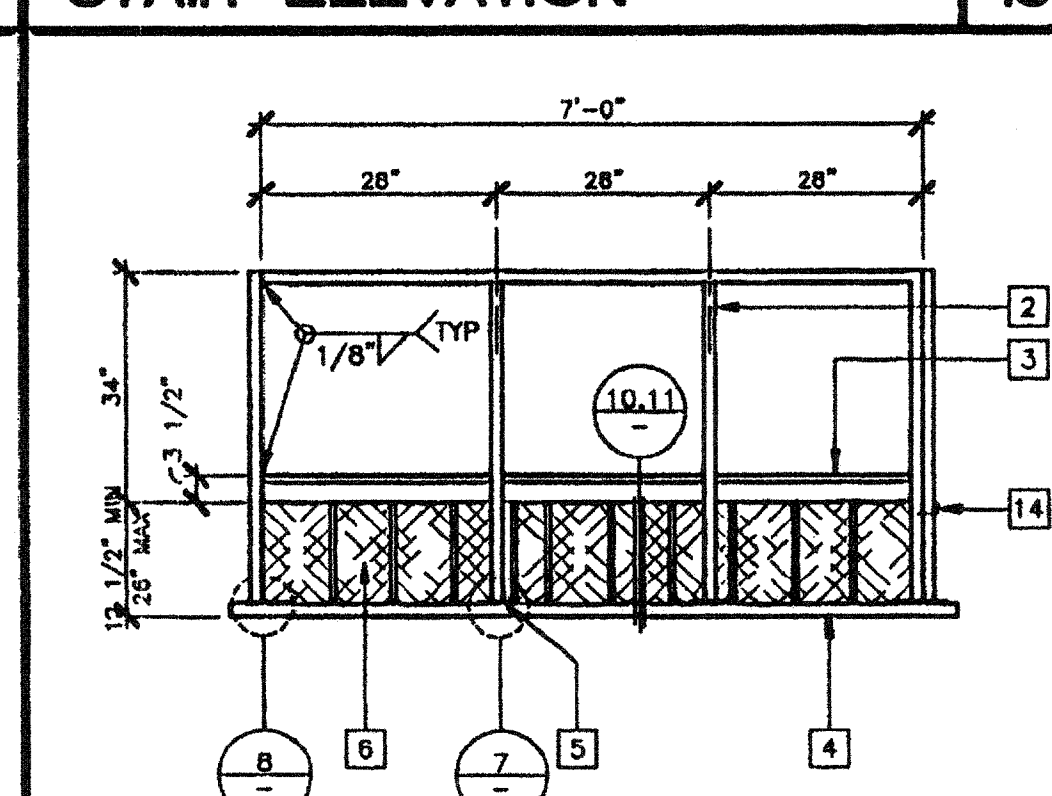
SCALE: 3"=1'-0"
ADJUSTABLE LEG 6



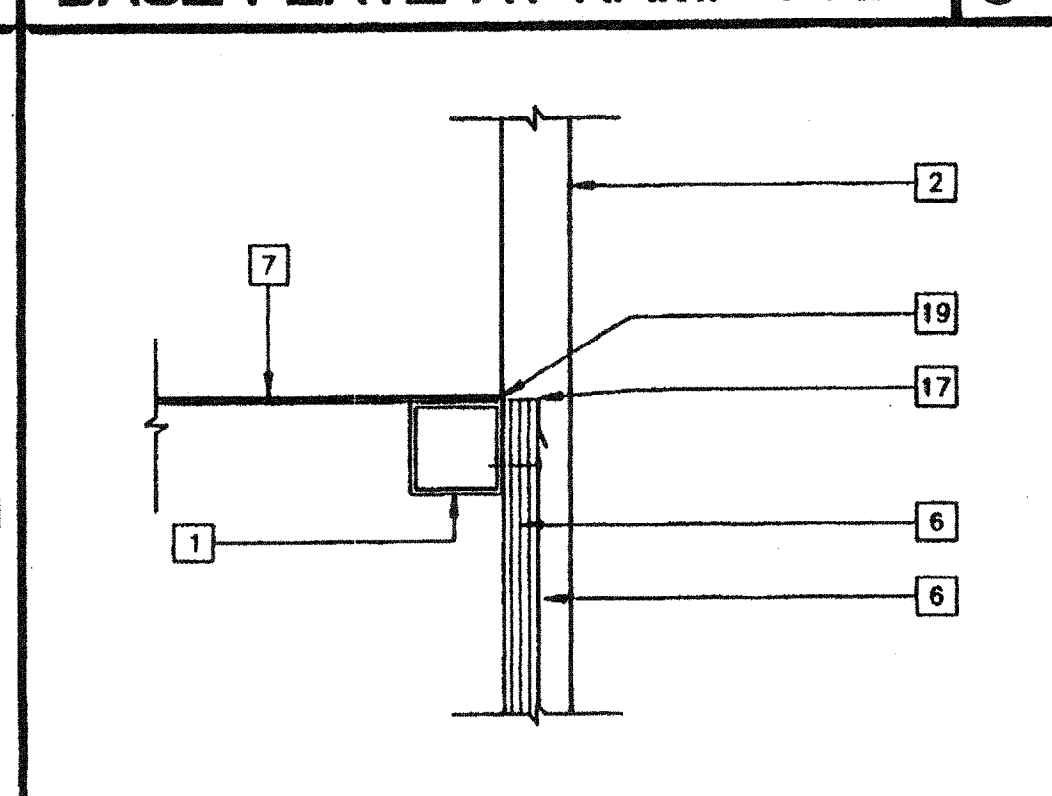
SCALE: 3/4"=1'-0"
SECTION AT LANDING 2



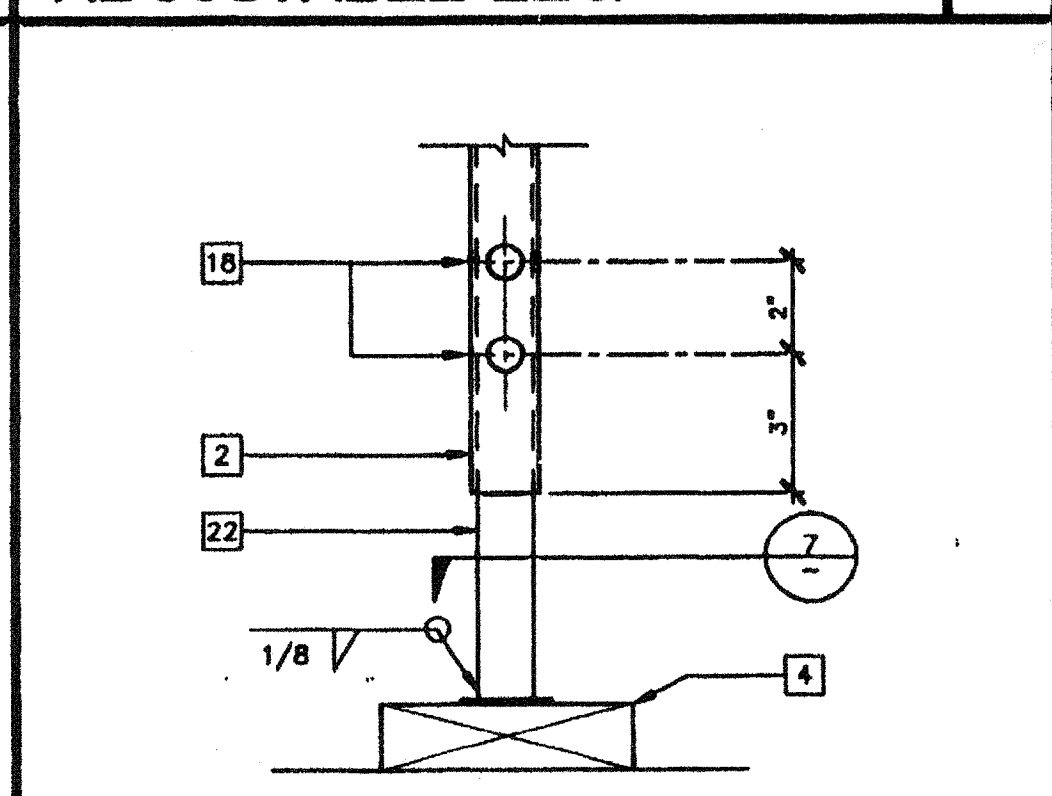
SCALE: NTS (BY DISTRICT)
RAMP TRANSITION 18



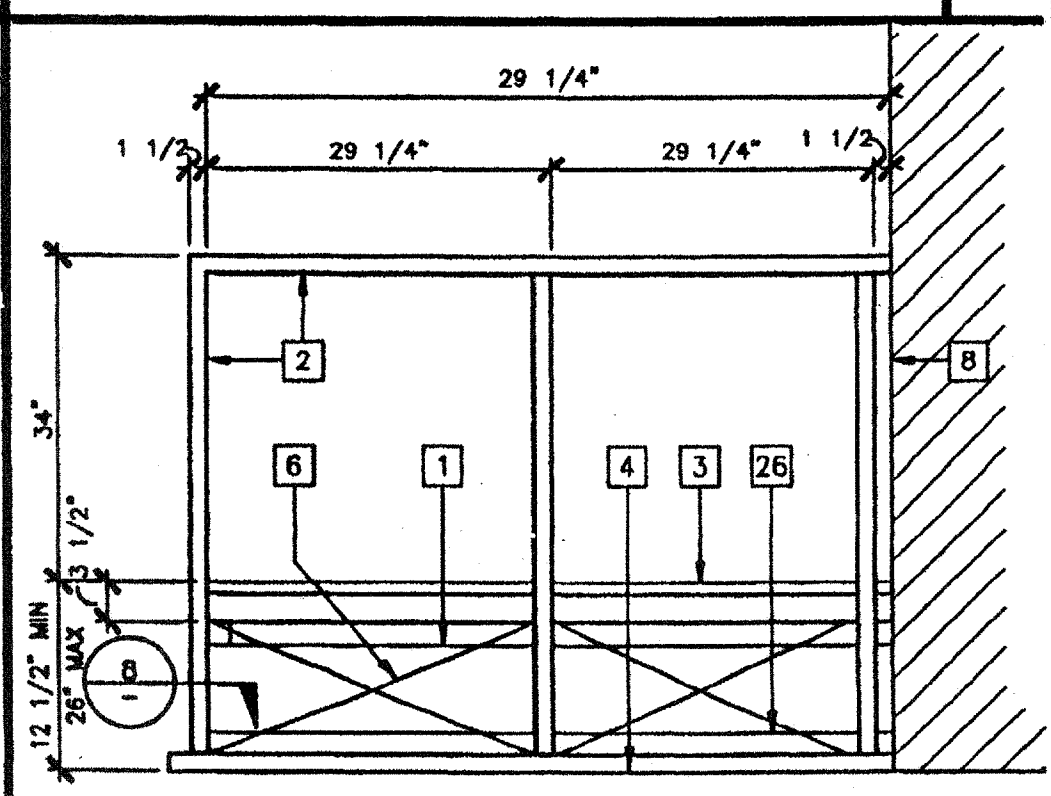
SCALE: 1/2"=1'-0"
LANDING ELEVATION 14



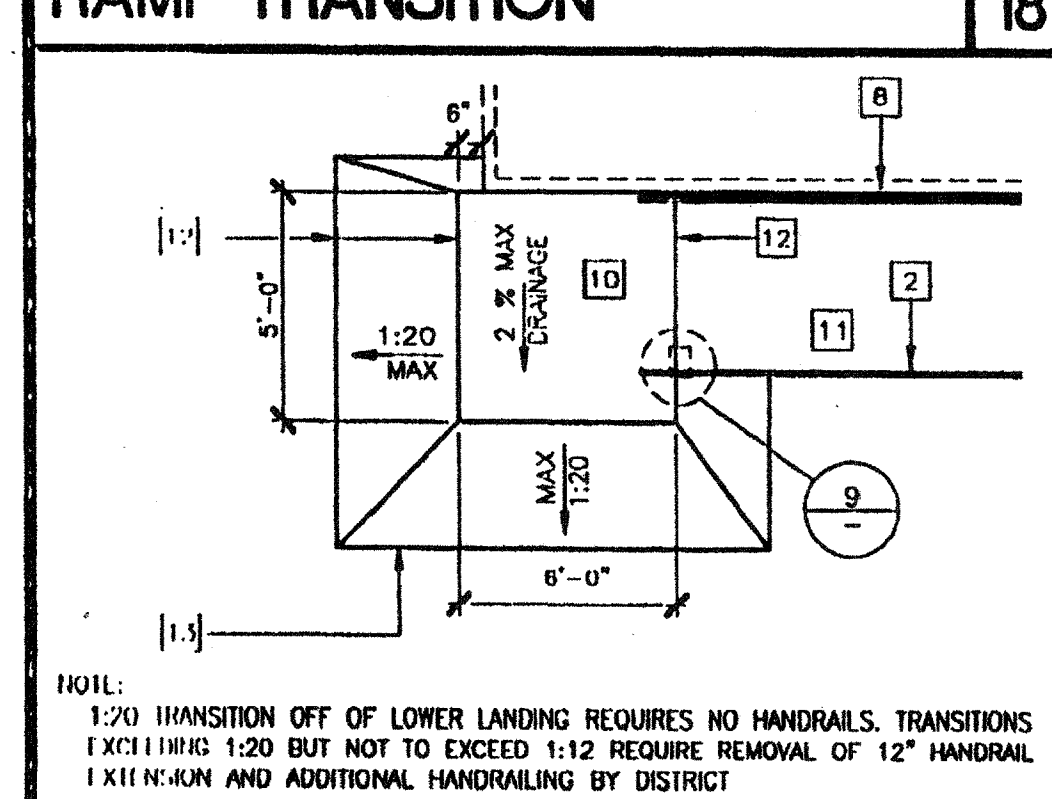
SCALE: 3"=1'-0"
SKIRT FLASHING 10



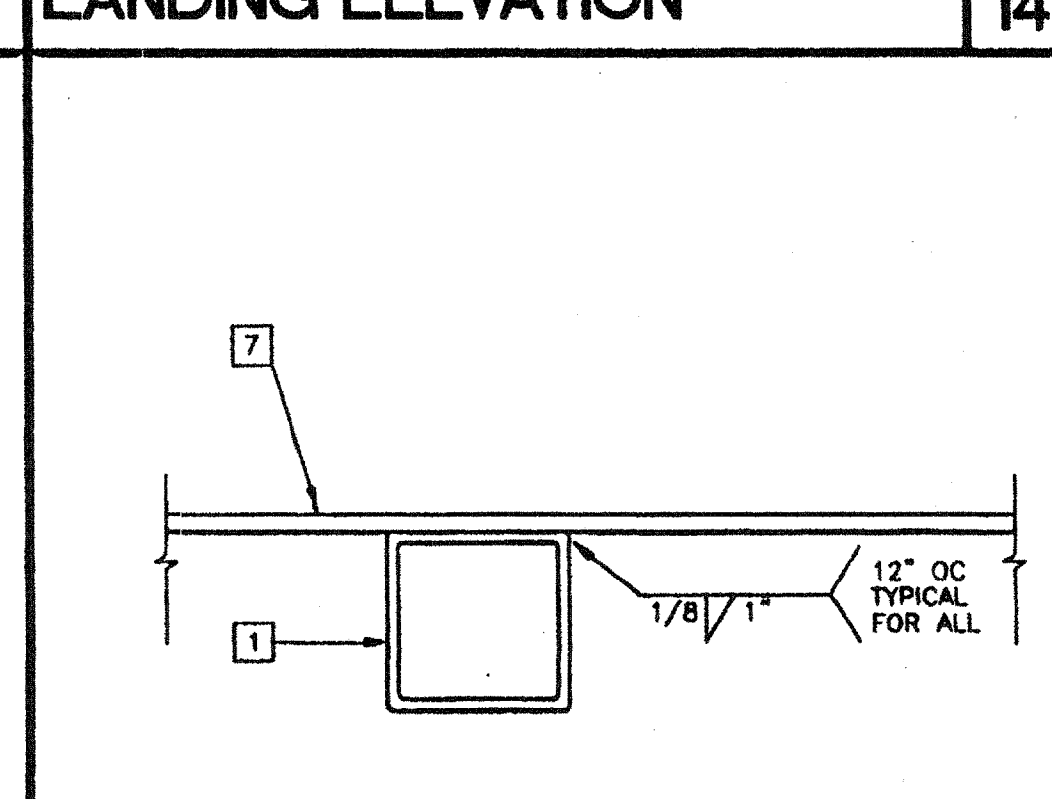
SCALE: 3"=1'-0"
ADJUSTABLE LEG 6



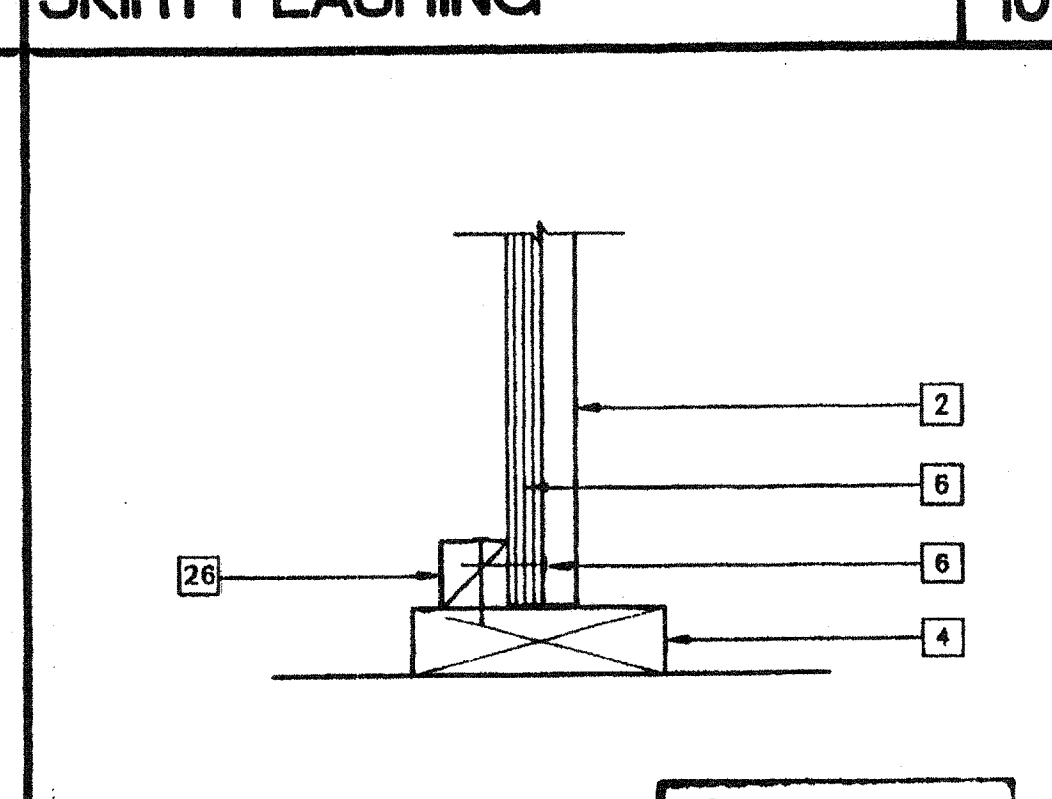
SCALE: 3/4"=1'-0"
END ELEVATION 3



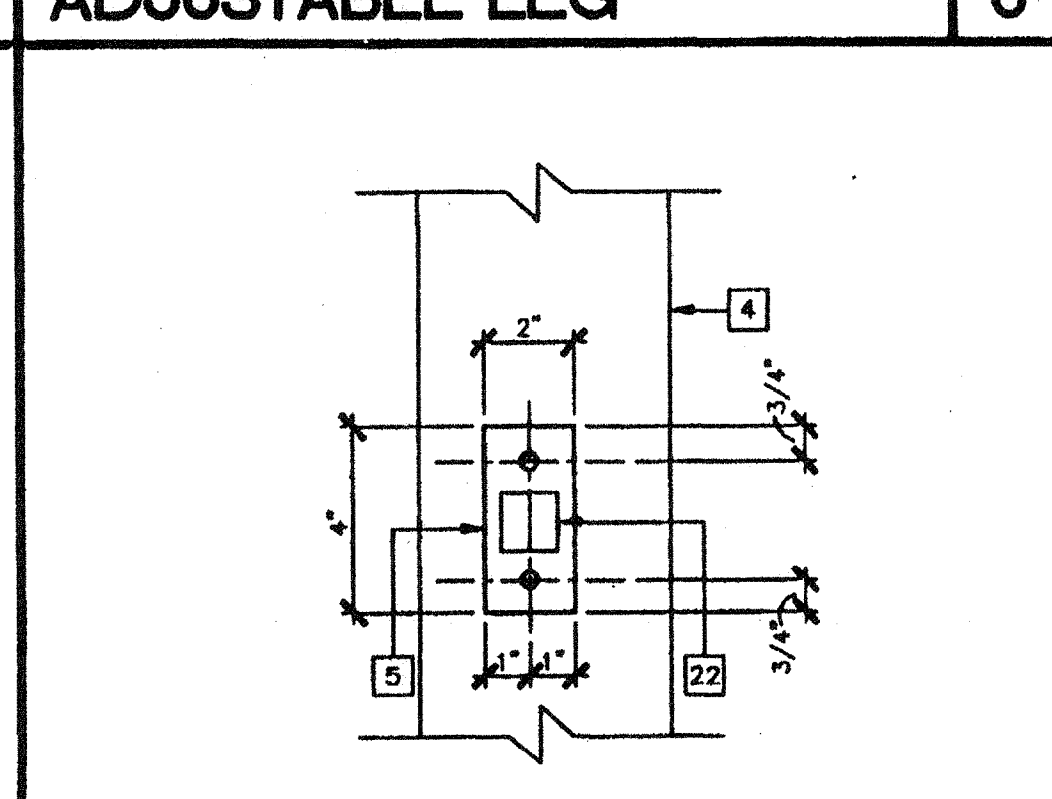
SCALE: NTS (BY DISTRICT)
RAMP TRANSITION 19



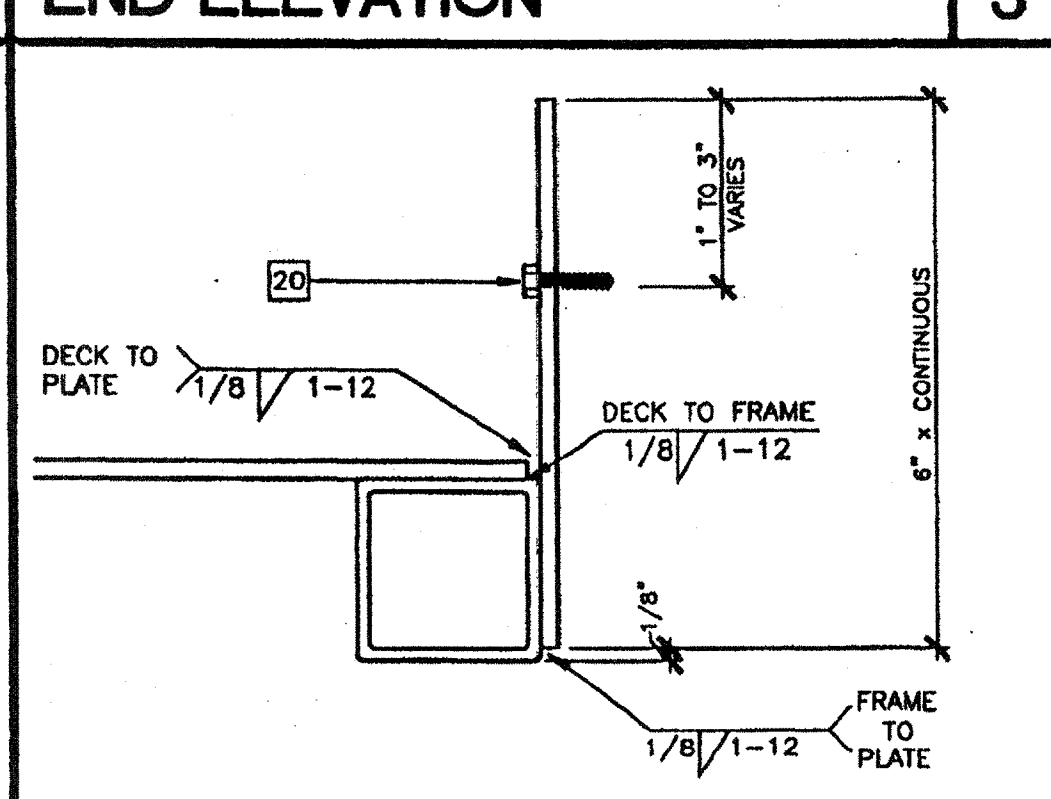
SCALE: NTS
SECTION AT INTERIOR FRAME 15



SCALE: 3"=1'-0"
SKIRT AT SILL PLATE 11



SCALE: 3"=1'-0"
ADJUSTABLE LEG BASE PLATE 7



SCALE: NTS
SECTION AT PLATE 4

- KEY NOTES**
- 1 TS 2"x2"x14 GA
 - 2 TS 1 1/2"x1 1/2"x14 GA (Fy = 39 KSI). ROUNDED OR BEVELED AT CORNERS.
 - 3 TS 1"x1"x16 GA WHEELCHAIR GUIDE
 - 4 2"x6" PRESSURE TREATED SILL PLATE
 - 5 2"x4"x12 GA BASE PLATE WITH 2-1/4"x1" LAGS
 - 6 SKIRTING: PLYWOOD TO MATCH BUILDING SIDING. BLOCK ALL EDGES. ATTACH WITH Bd AT 6" OC (DGS) AND 12" ON FIELD. AT EDGE CONNECTION TO TS. USE #14x2" HIK SCREWS AT 6" OC
 - 7 12GA METAL DECK: NON-SLIP SURFACE. DESIGN COEFFICIENT OF FRICTION GREATER THAN 0.5. MAINTAINABLE FOR 1 YR. PROVIDE ROUNDED OR BEVELED EDGES ON STAIR NOSING.
 - 8 EXISTING BUILDING.
 - 9 6"x10"x12 GA BASE PLATE AT RAMP TOE.
 - 10 LOWER LANDING BY DISTRICT
 - 11 RAMP BY MODTECH
 - 12 FLUSH TRANSITION
 - 13 PAVE BY DISTRICT
 - 14 3"x1"x3'-0"x10 GA BENT PLATE
 - 15 FASTEN POSTS WITH 3/8" DIA THRU BOLT, TYPICAL
 - 16 RAMP LANDING, TYPICAL
 - 17 26 GA FLASHING
 - 18 3/8" DIAx2" LONG MB WITH NUT & WASHER
 - 19 CAULKING
 - 20 6"x10GA CONTINUOUS PLATE WITH #14x2" TEK SCREWS AT 9" OC INTO WOOD OR FOUNDATION BLOCKS OR #14x2" TEK SCREWS INTO METAL AT 9" OC
 - 21 PROVIDE DIVERSION FOR WATER FROM DOWNSPOUT FOR THIS CONDITION. BY DISTRICT
 - 22 TS 1 1/4"x1 1/4"x14 GA (Fy = 39 KSI)
 - 23 4" MINIMUM BUILDING SEPARATION
 - 24 2" SLIP RESISTANT WARNING STRIPES MAX 1" FROM EVERY STAIR NOSING. USE CONTRASTING COLOR.
 - 25 TS 2 1/2"x1 1/2"x8 GA ASTM A500 GRADE A
 - 26 2"x2" NAILER WITH 16d AT 12" OC

REVISIONS

▲		
▲		
▲		
▲		

Electrical Engineer's Seal
 Mechanical Engineer's Seal
 Architect's Seal

IDENTIFICATION STAMP
 DIV. OF THE STATE ARCHITECT
 OFFICE OF REGULATION SERVICES
 PC-04
 101419
 DATE: OCT 21 1999

MODTECH INC.
 2830 BARRETT AVENUE
 PERRIS, CALIF. 92572
 PH (909) 943-4014
 FAX (909) 940-0427

PROJECT NUMBER: _____
 DATE: _____
 CHECKED BY: *ES*
 DATE: 10/22/99
 MODTECH Index No. _____

IDENTIFICATION STAMP
 DIV. OF THE STATE ARCHITECT
 OFFICE OF REGULATION SERVICES
 AC FL S SS TN
 DATE: MAR 03 2000
 IDENTIFICATION STAMP
 DIV. OF THE STATE ARCHITECT
 APP#3 117168
 AC FL S SS TN
 DATE: AUG 04 2018

RAMP/LANDING DETAILS
R1.02