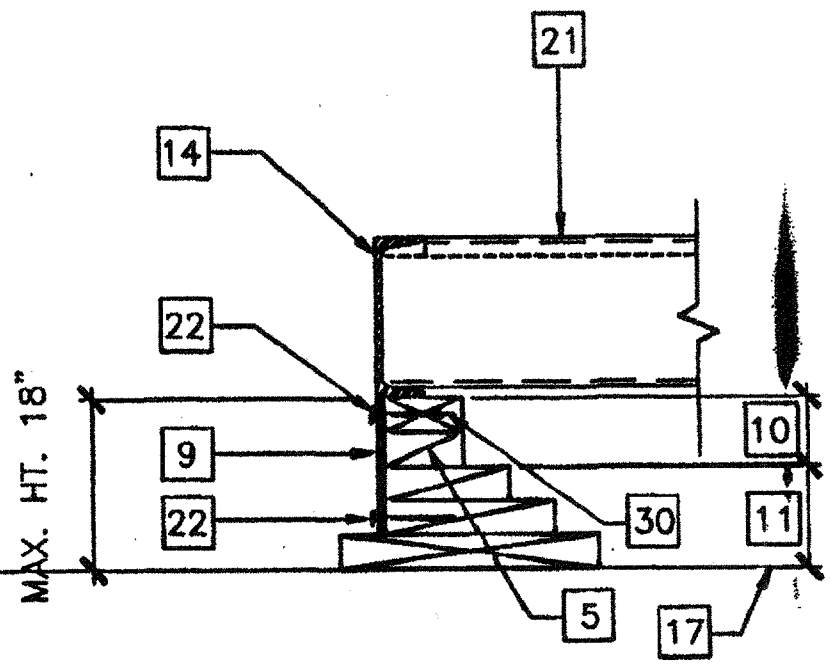
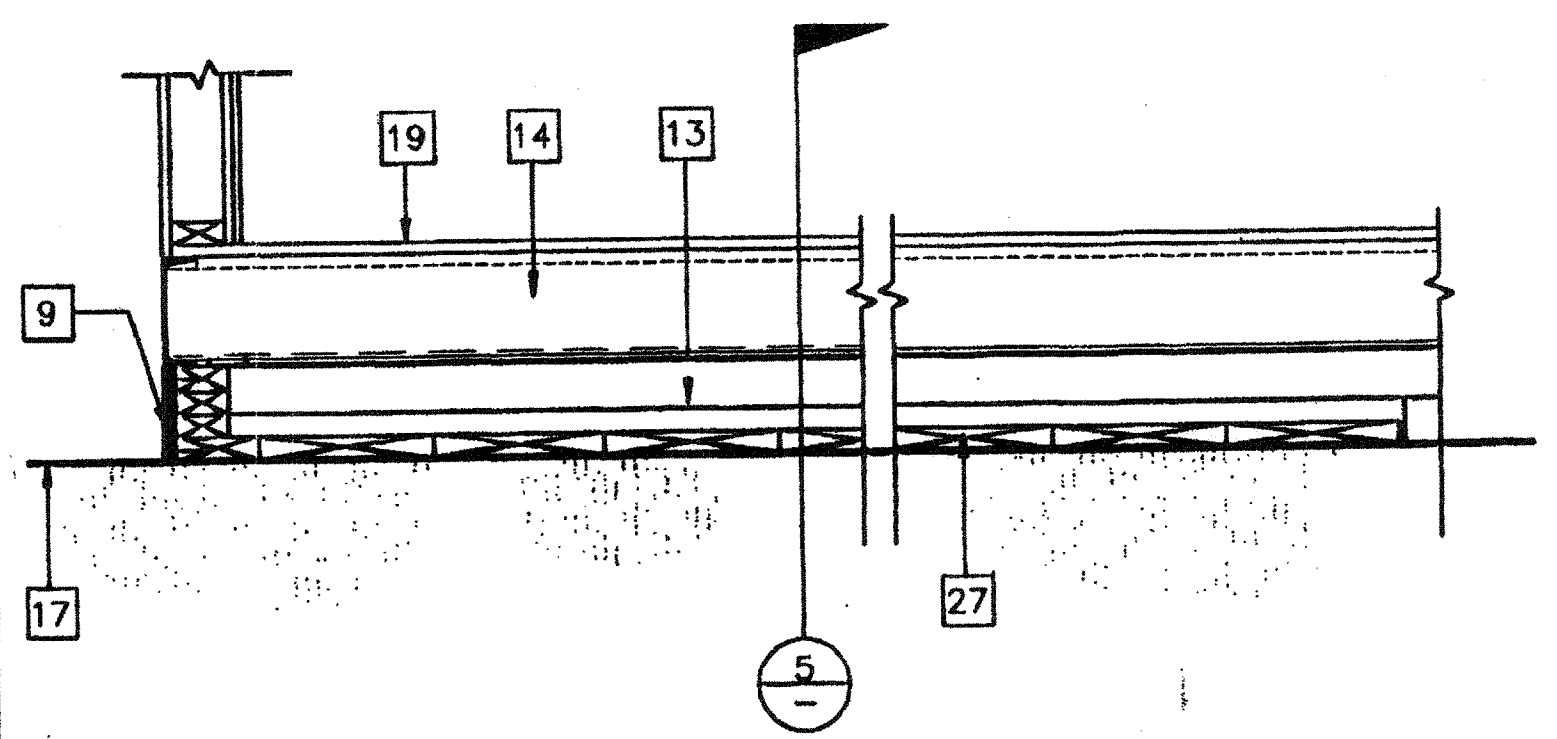


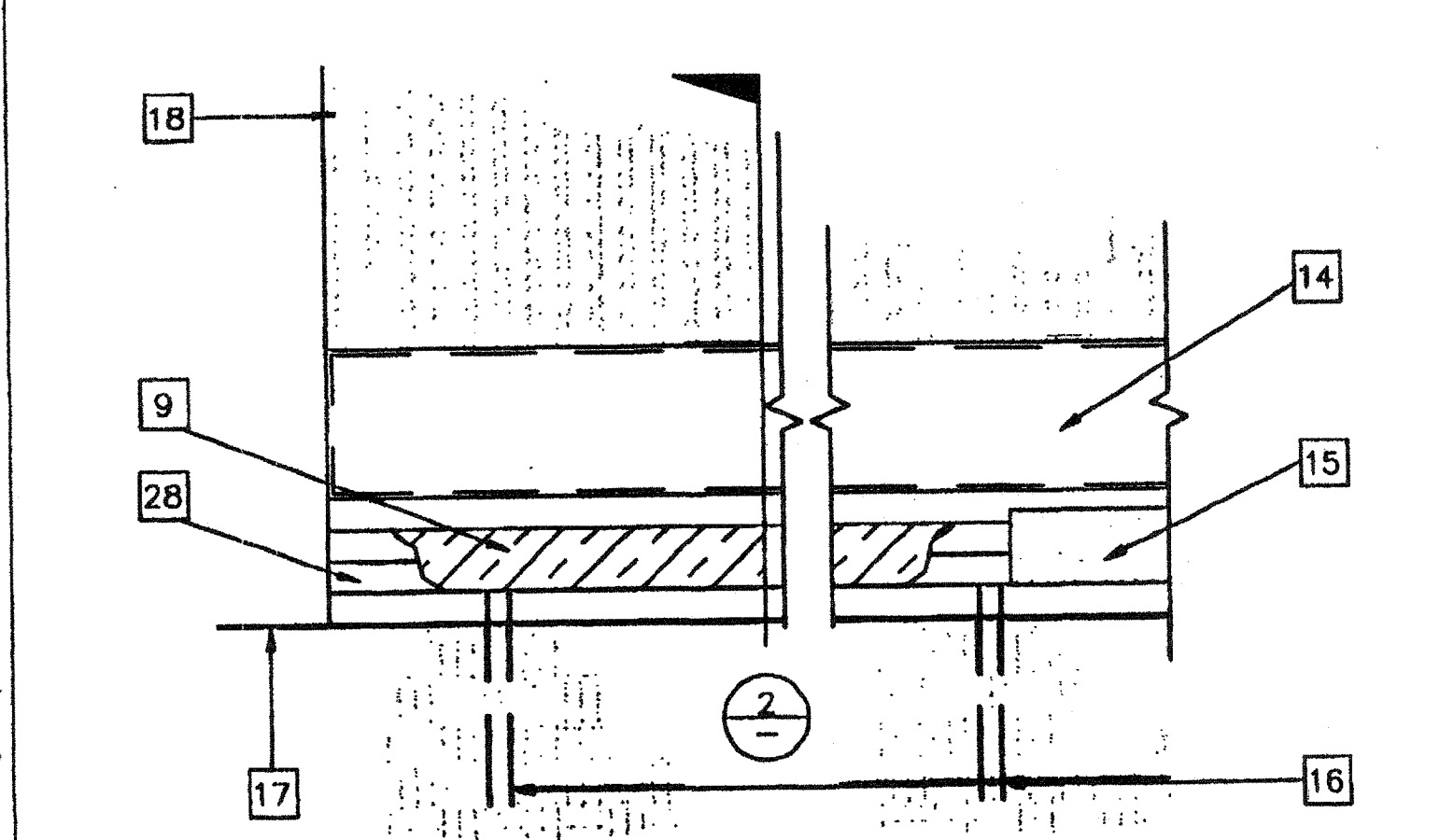
9 SCALE: 1 1/2"=1'-0"
ALTERNATE TIE PLATE



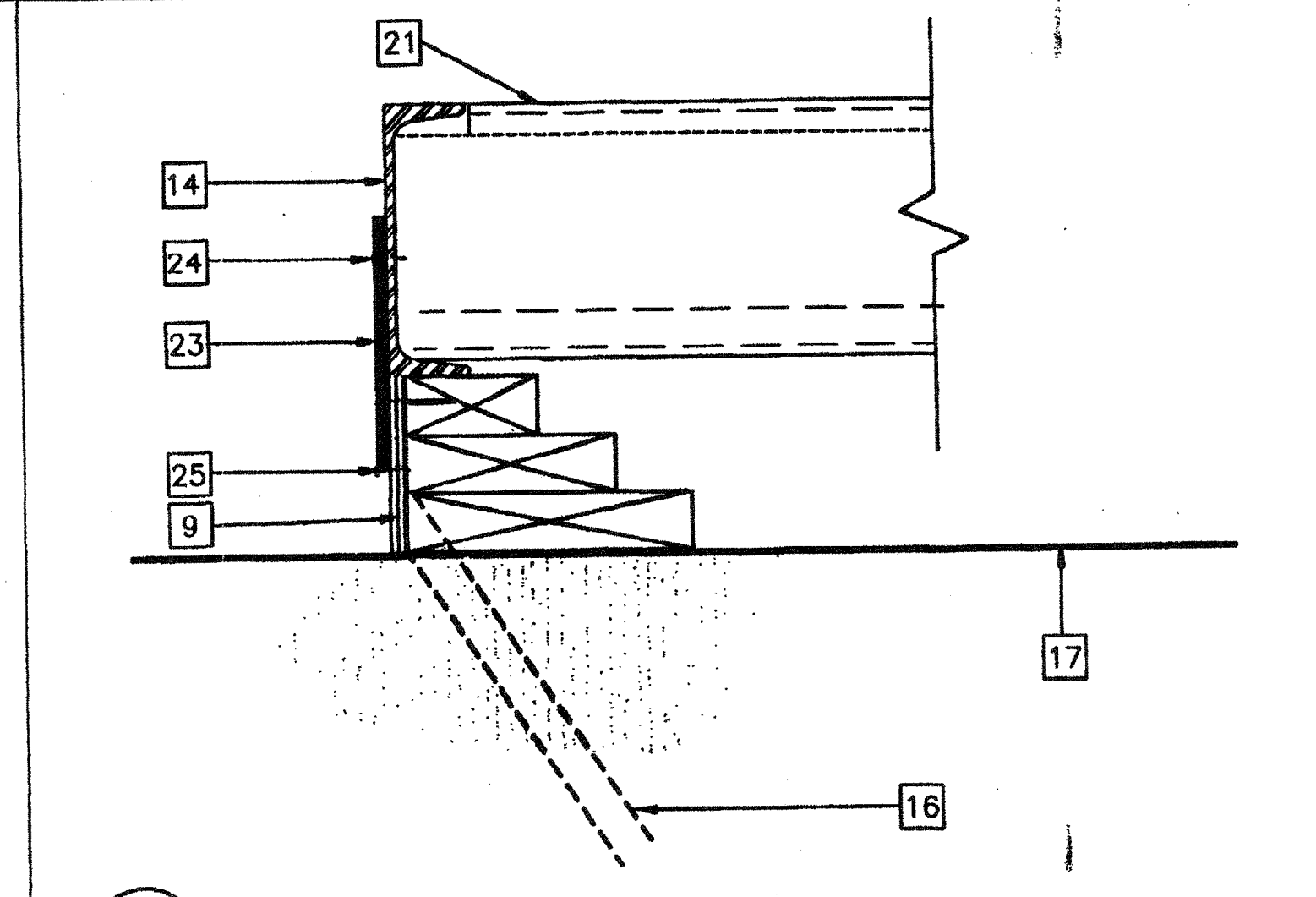
10 SCALE: 1 1/2"=1'-0"
ADD BLK'S/SHIMS TO LEVEL FOUND.



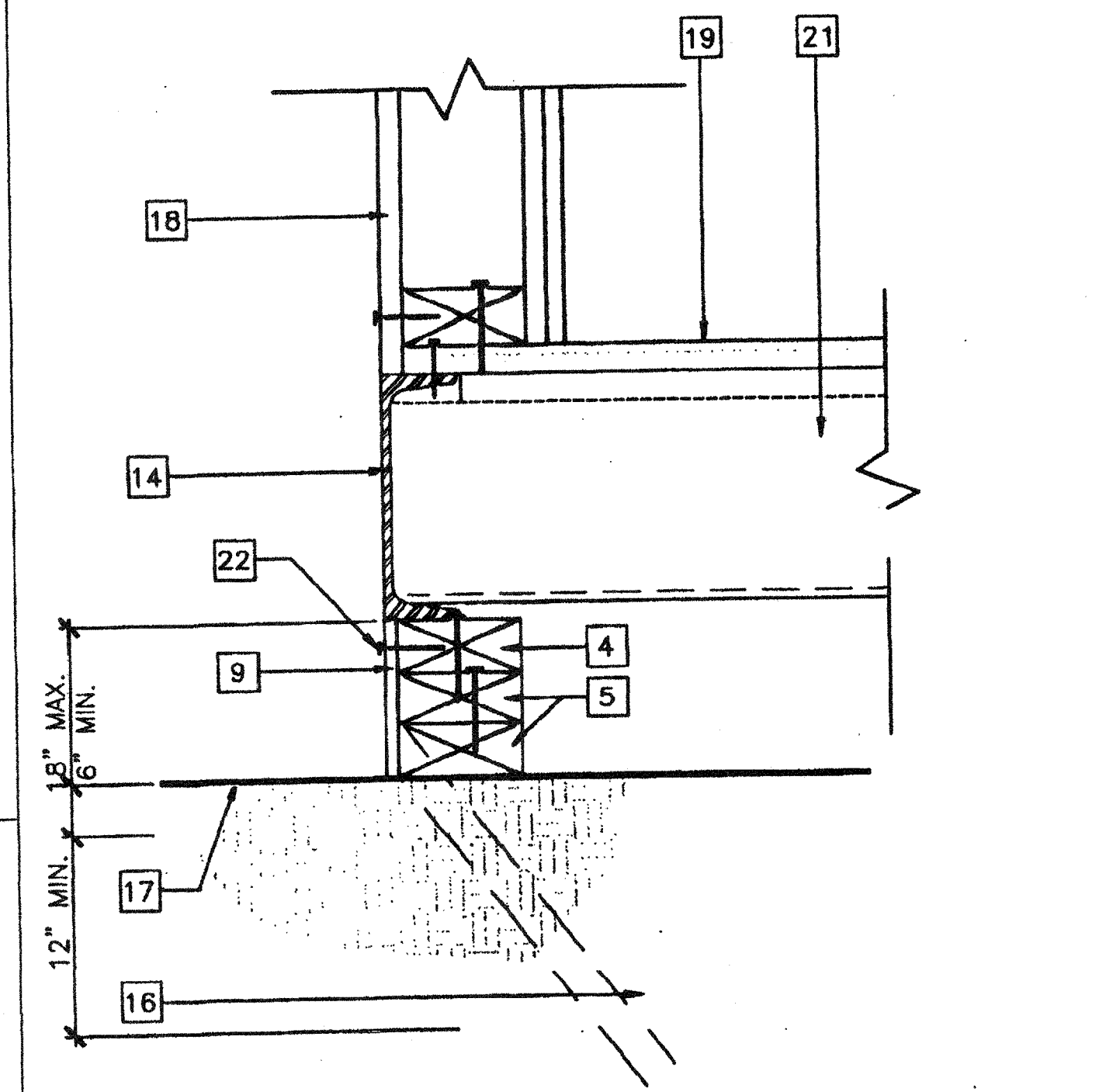
6 SCALE: 1 1/2"=1'-0"
MODLINE PAD @ END WALL



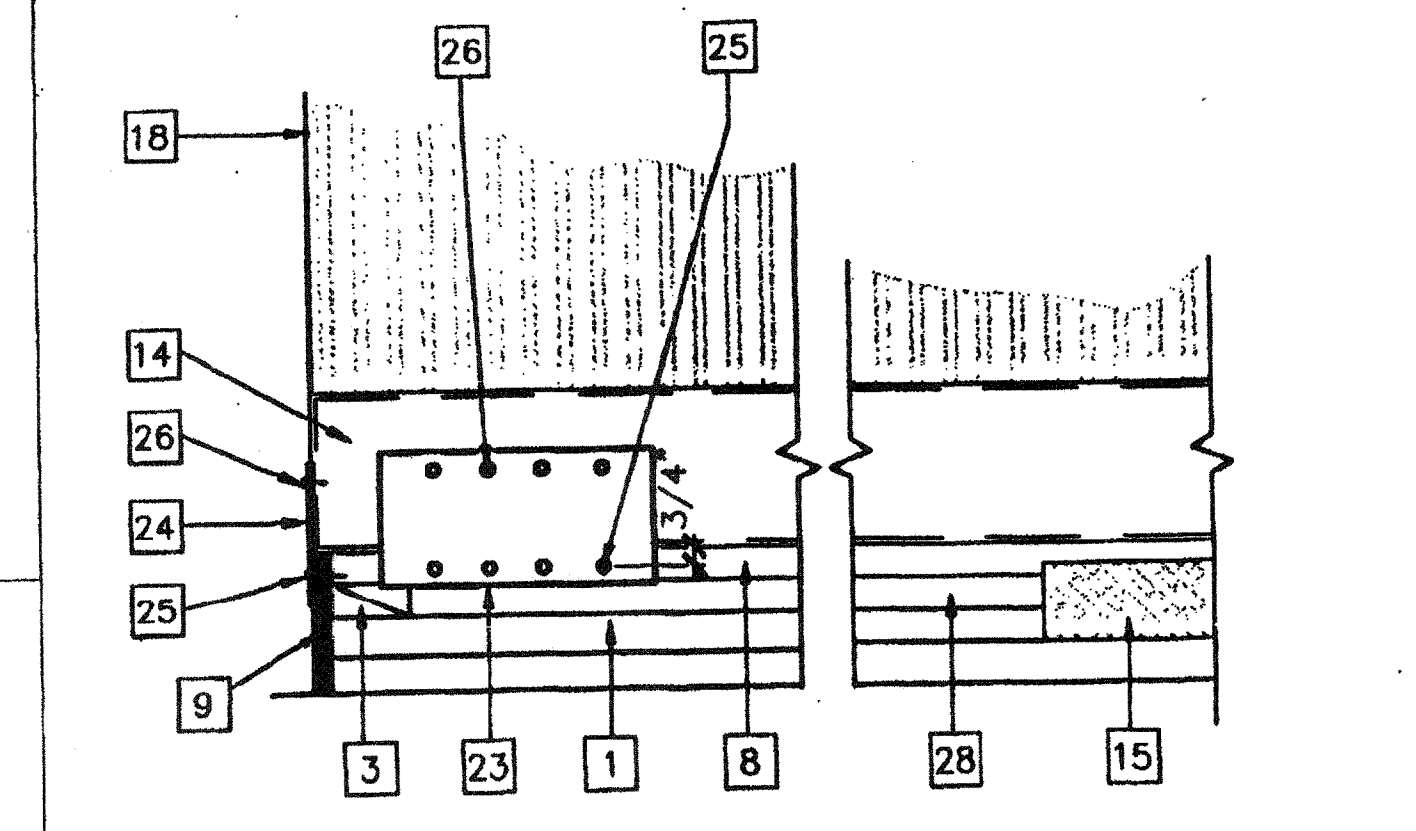
7 SCALE: 1 1/2"=1'-0"
FOUNDATION ELEVATION @ SIDE WALL



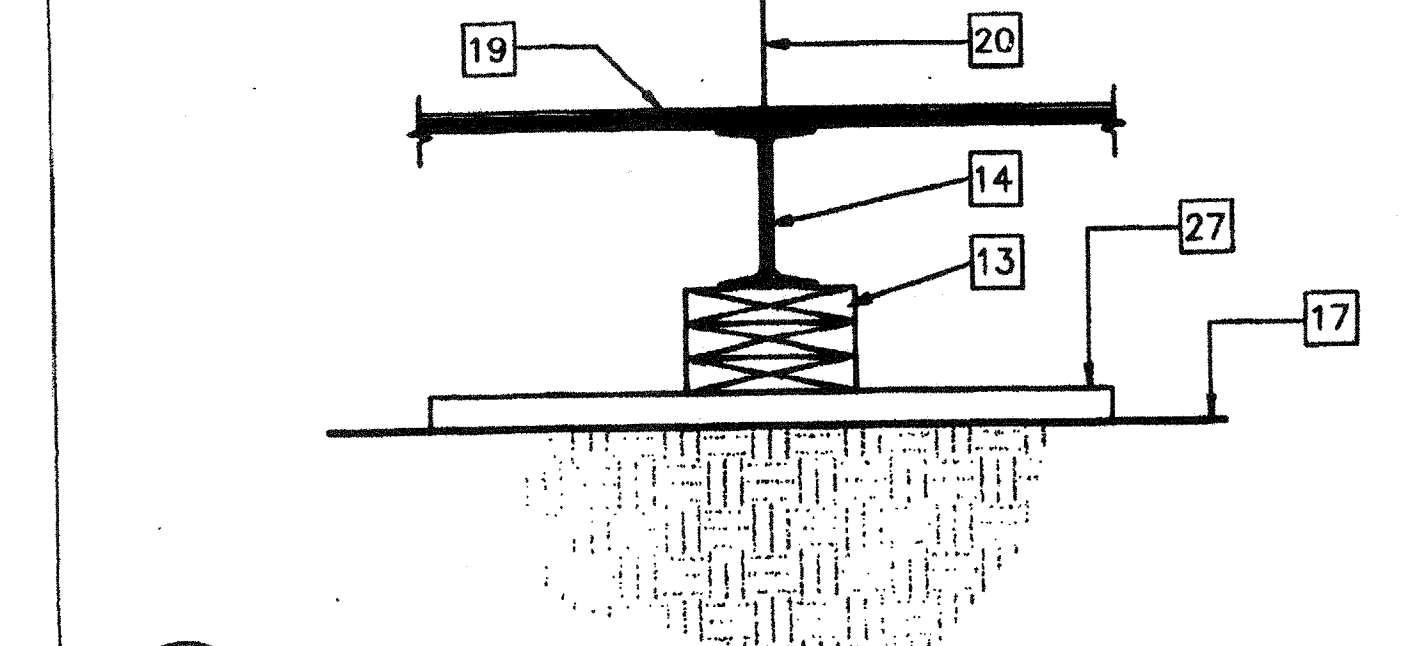
8 SCALE: 3"=1'-0"
TYPICAL TIE PLATE



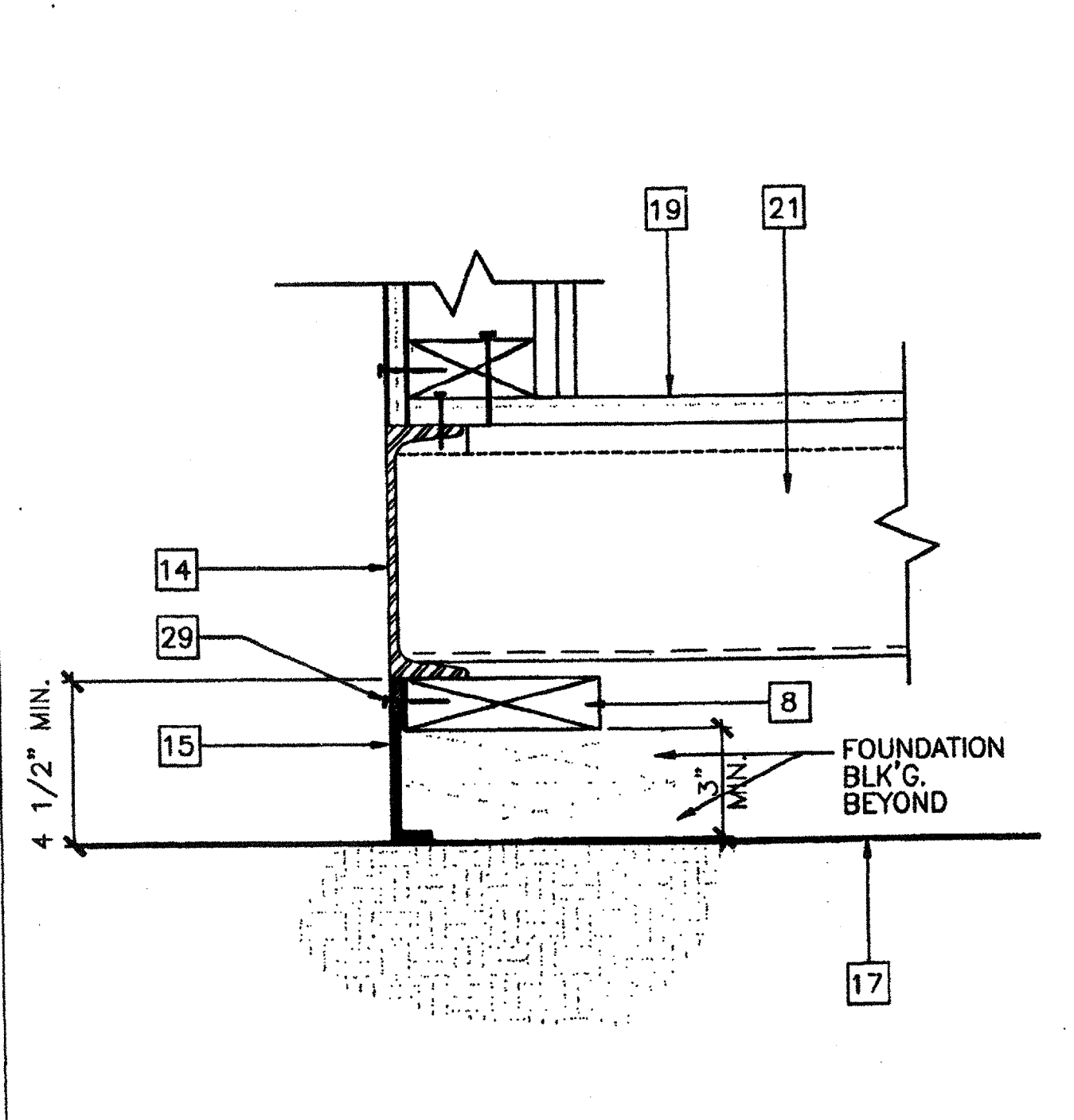
3 SCALE: 3"=1'-0"
FOUNDATION @ END WALL



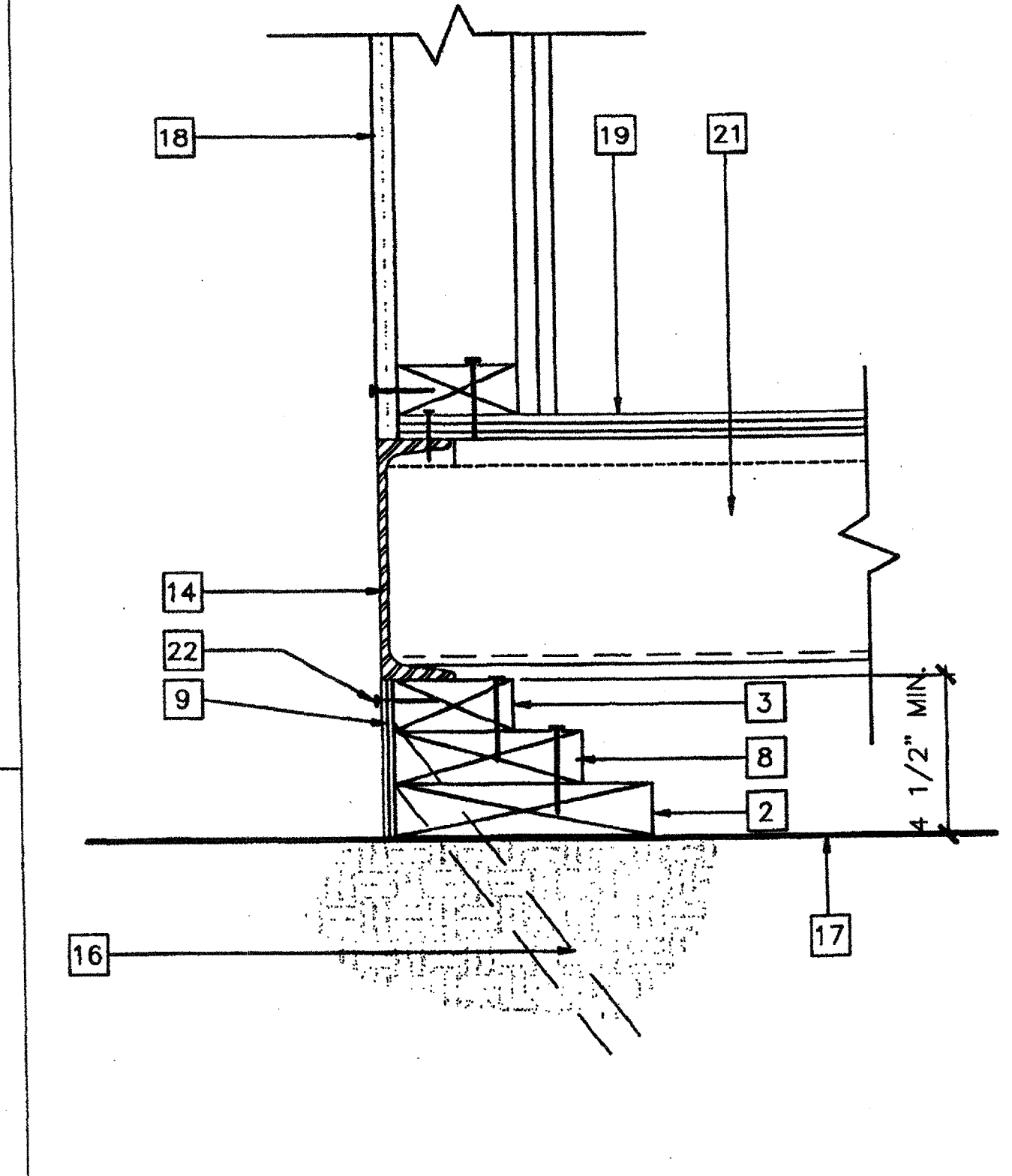
4 SCALE: 1 1/2"=1'-0"
DETAIL @ FOUNDATION CORNER



5 SCALE: 1 1/2"=1'-0"
FOUNDATION PAD @ MODLINE



1 SCALE: 3"=1'-0"
FOUNDATION VENT



2 SCALE: 3"=1'-0"
FOUNDATION @ SIDE WALL

- KEY NOTES**
- 1 2X12 SILL PLATE SEE FOUND. PLAN FOR LENGTH
 - 2 2X8 TOP PLATE W/16d AT MAX. 5" O.C. TO SILL PLATE
 - 3 2X4 CONT. TOP PLATE W/16d AT MAX. 12" O.C.
 - 4 2X4 TOP PLATE CONT. W/16d AT MAX. 12" O.C.
 - 5 2X4 BLOCKING W/16d MAX. 12" O.C. TO SILL PLATE
 - 6 NOT USED
 - 7 NOT USED
 - 8 2X6 BLOCKING W/16d AT MAX. 12" O.C.
 - 9 MIN. 5/8" PLYWOOD SKIRTING W/10d BOX @ MIN. 4" O.C. AT ENDWALLS & 8" O.C. AT SIDEWALLS E.N. & TYP. 12" O.C. FN.
 - 10 ADD BLOCKING OR SHIMS AS REQ. TO MAX. HT. SEE DETAIL #2
 - 11 MIN. FOUNDATION HEIGHT. SEE DETAIL #2
 - 12 10 GA. PLATE 4" X 12"
 - 13 2X8 BLOCKING FACE OR TOE NAIL 16d AT MAX. 12" O.C. ADD BLKS. OR SHIMS AS REQ'D
 - 14 FLOOR FRAME BEAM. SEE STRUCTURAL
 - 15 VENT MIN. 3" X 6'-6" TYP. 4-PLACES = 6.5 SF. 2 VENTS AT 3" X 2'-0" = 1.0 SF. = 7.5 SQ. FT. TOTAL
 - 16 SILL RESTRAINT 1" DIA. PIPE. SEE FOUND. PLAN FOR LOCATION - 24" LONG
 - 17 FINISH GRADE
 - 18 EXTERIOR FINISH
 - 19 PLYWOOD SUBFLOOR
 - 20 MOD-LINE
 - 21 FLOOR-JOIST
 - 22 EN SEE NOTE #9
 - 23 6" X 12" X 10GA. PLATE W/(4) #10 SMS TO FLR & (4) 1/4" DIA. X 3" LAG TO FOUND. TOP PLATE
 - 24 6" X 12" X 10 GA. PLATE
 - 25 1/4" DIA. X 3" LG. LAG SCREW TYP. 4-PLACES
 - 26 #10 S.T.S. TYP. 4-PLACES
 - 27 2" X 12" X 2'-6" SILL PLATE. SEE FOUND. PLAN FOR QUANTITY REQ'D
 - 28 2X8 BLOCKING W/16d AT MAX. 6" O.C. MIN. 3 PER BLOCK. (MAY VARY ACCORDING TO SITE)
 - 29 10d GALV. BOX NAIL AT MAX. 4" O.C.
 - 30 INSERT REQ'D 2X4 BLOCKING OR PLYWOOD SHIM W/16d AT 12" O.C. FACE NAIL
 - 31 NOT USED
 - 32 NOT USED

IDENTIFICATION STAMP
DIV. OF THE STATE ARCHITECT
OFFICE OF REGULATION SERVICES
AC FLS SS
DATE MAR 09 2000

IDENTIFICATION STAMP
DIV. OF THE STATE ARCHITECT
APP#3 117468
AC FLS SS TV
DATE AUG 04 2019

REVISIONS	Electrical Engineer's Seal	Mechanical Engineer's Seal	Architect's Seal

PC
CBC 1998

IDENTIFICATION STAMP
DIV. OF THE STATE ARCHITECT
OFFICE OF REGULATION SERVICES
PC-04
10419
AC FLS SS
DATE OCT 24 2019

MODTECH INC.
2830 BARRETT AVENUE
PERRIS, CALIF. 92572
PH (909) 943-4014
FAX (909) 940-0427

PROJECT NUMBER: _____
© MODTECH, INC. 1999

FOUNDATION DETAILS

DRAWN BY: _____
DATE: _____
CHECKED BY: SS
DATE: 10/22/19
MODTECH Index No. _____
F2.0

FILE PATH: 2440-0-F2-0.DWG PROJECT NO. PC-04-101419