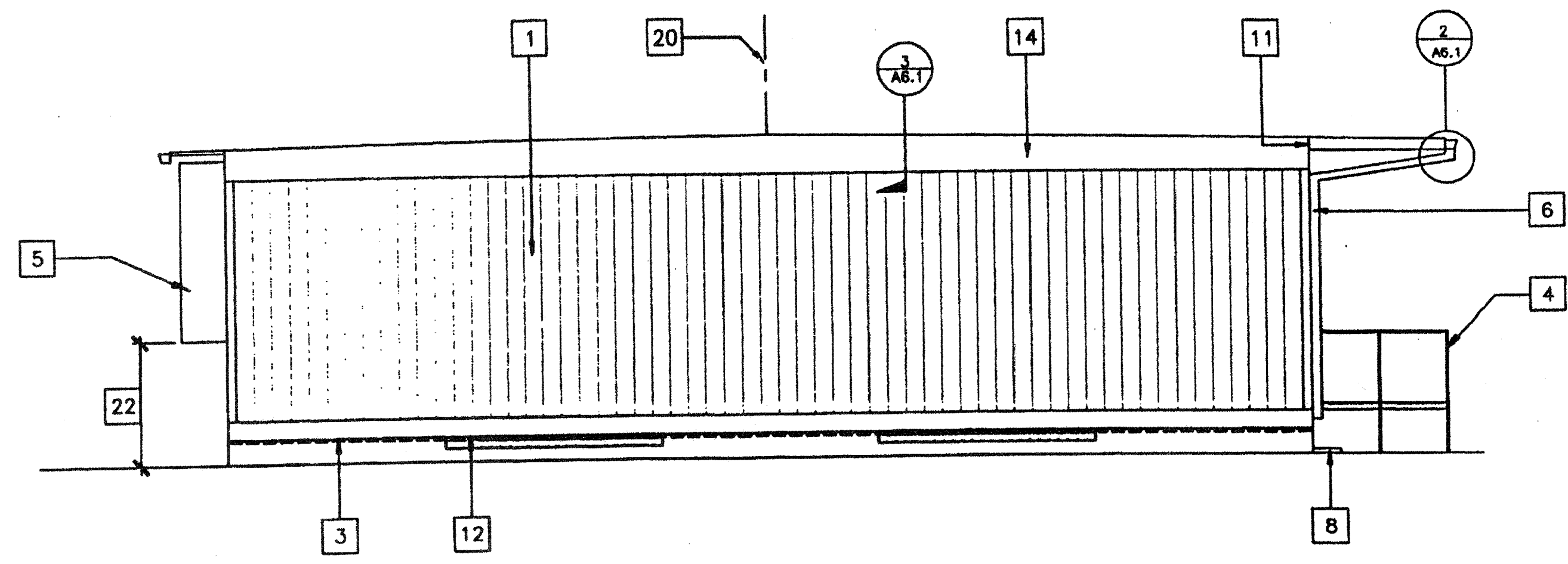
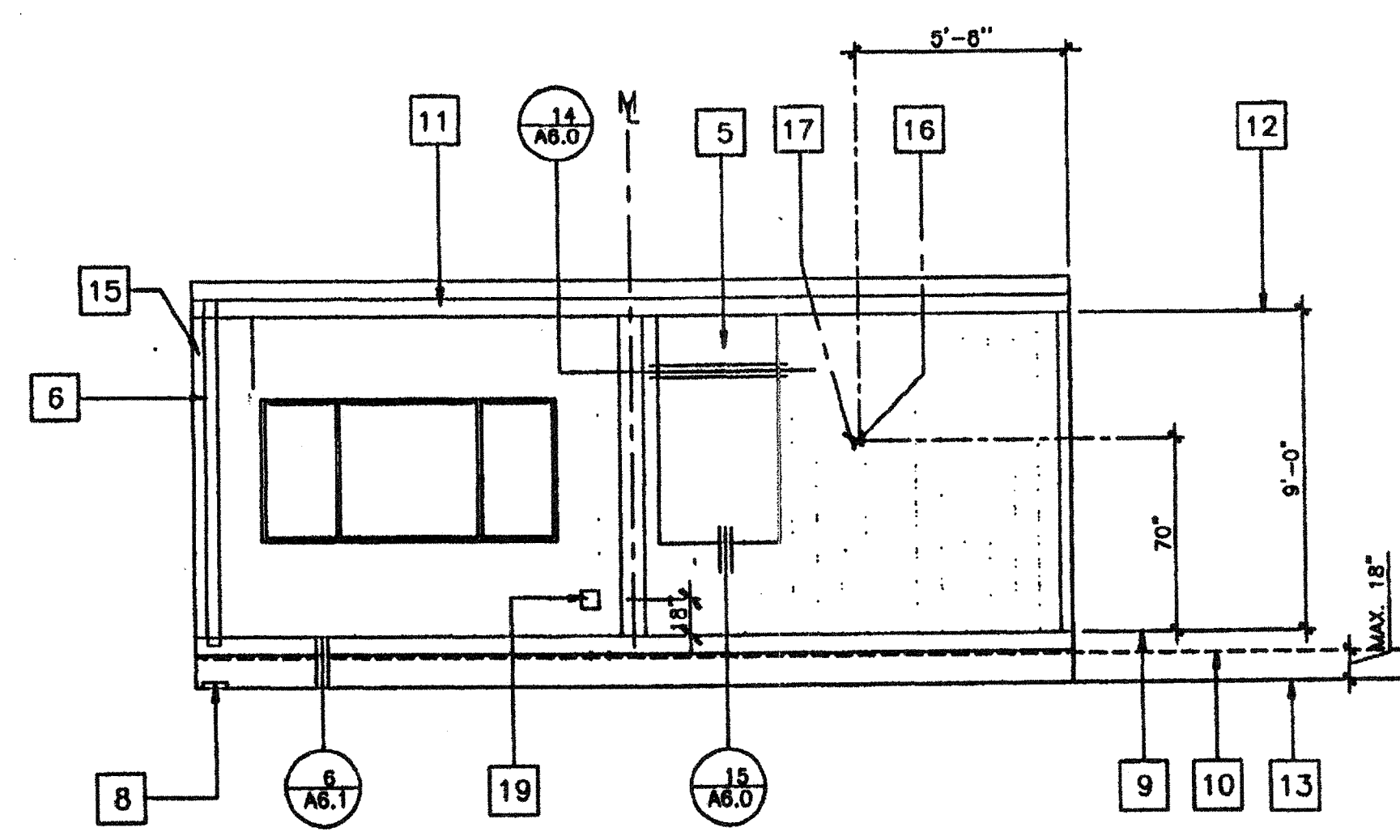


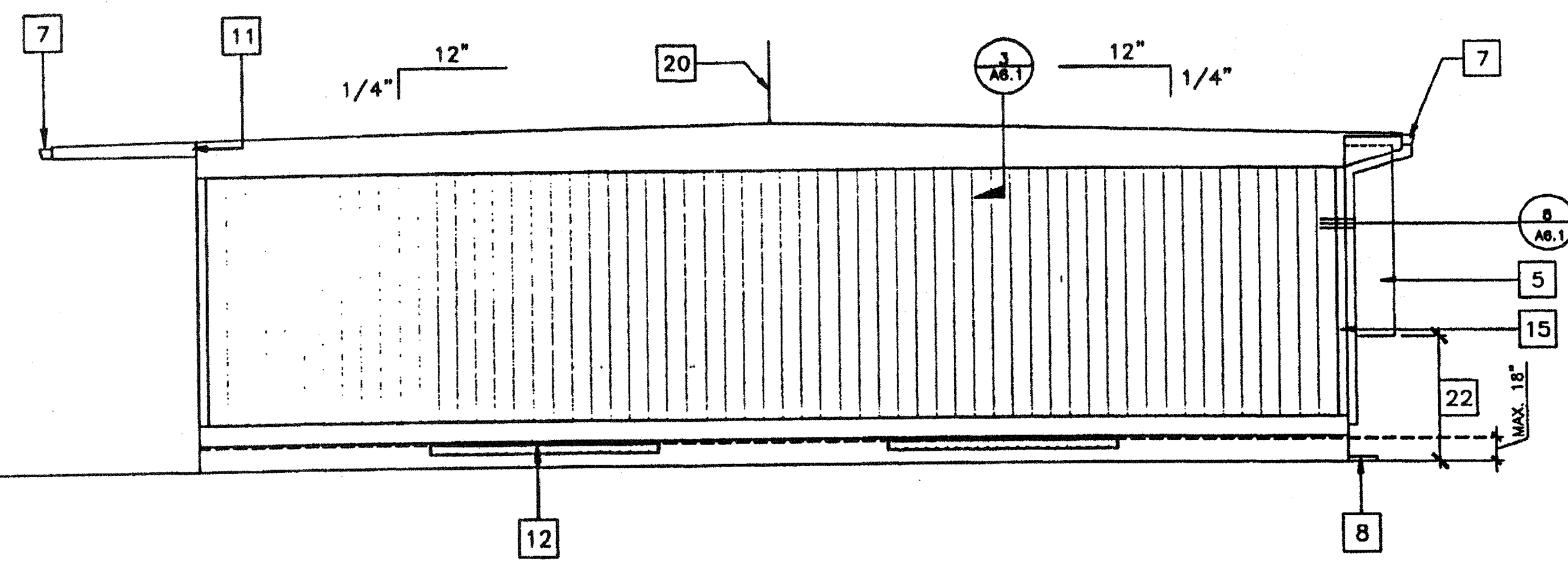
1 FRONT ELEVATION
1/4" = 1'-0"



2 LEFT ELEVATION
1/4" = 1'-0"



3 REAR ELEVATION
1/4" = 1'-0"



4 RIGHT ELEVATION
1/4" = 1'-0"

"A" = SHOWN
"B" = OPPOSITE

KEY NOTES

- 1 TYPICAL EXTERIOR SIDING (SEE A5.0)
- 2 EXTERIOR LIGHT FIXTURE (SEE SPEC'S)
- 3 TOP OF SKIRTING
- 4 RAMP AND LANDING SEE SHT. R-1
- 5 HVAC UNIT. SEE HW
- 6 DOWNSPOUT (TYP.) FOR (2). FASTEN TO BLD'G. TYP 3 PLACES (SEE 8/A6.1)
- 7 CONTINUOUS GUTTER WITH DOWNSPOUT (LOCATION OF DOWNSPOUT SHOWN ON ROOF PLAN) SEE A2.0
- 8 SPLASH BLOCK (BY OTHERS)
- 9 FINISH FLOOR LINE
- 10 BOTTOM FLANGE OF FLOOR BEAM
- 11 ROOF HEADER
- 12 VENT. SEE FOUNDATION PLAN
- 13 FINISH GRADE
- 14 ROOF BEAM SEE STR
- 15 COLUMN SEE STR
- 16 ELECTRICAL STUB-OUT SEE EL
- 17 GROUND STUB-OUT SEE EL
- 18 J BOX FOR EXT. FA HORN SEE EL
- 19 NEMA 6" X 6" GUTTER BOX SEE EL
- 20 RIDGE
- 21 NOT USED
- 22 IF HVAC UNIT IS LOCATED IN ANY PATH OF TRAVEL OR CIRCULATION AREA AND HEIGHT FROM GRADE TO BOTTOM OF UNIT EXCEEDS 27" THEN PROTECTION MUST BE PROVIDED.

NOTES

- 1. SEE FOUNDATION PLAN FOR SIZE AND LOCATION OF UNDER FLOOR VENTS.

IDENTIFICATION STAMP
DIV. OF THE STATE ARCHITECT
OFFICE OF REGULATION SERVICES
AC: FLS SS TN
DATE: MAR 09 2002

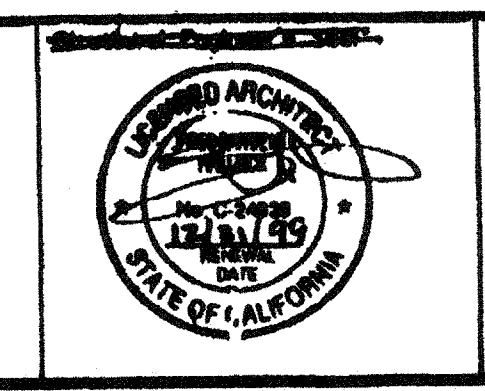
IDENTIFICATION STAMP
DIV. OF THE STATE ARCHITECT
APP#3 117168
AC: FLS SS TN
Date: AUG 04 2019

CBC 1998 PC

REVISIONS	Electrical Engineer's Seal	Mechanical Engineer's Seal	Architect's Seal

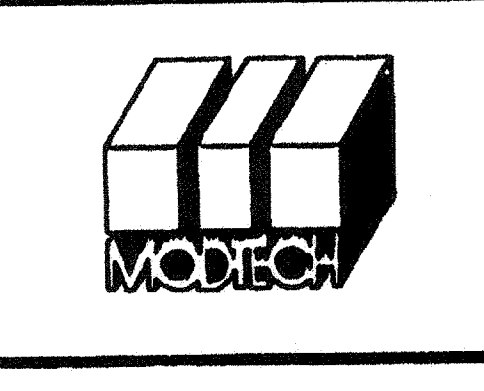
Electrical Engineer's Seal

Mechanical Engineer's Seal



Architect's Seal

IDENTIFICATION STAMP
DIV. OF THE STATE ARCHITECT
OFFICE OF REGULATION SERVICES
PC-04
101419
AC: FLS SS TN
DATE: 10/25/1999



MODTECH INC.
2830 BARRETT AVENUE
PERRIS, CALIF. 92572
PH (909) 943-4014
FAX (909) 940-0427

PROJECT NUMBER:
© MODTECH, INC. 1999
EXTERIOR ELEVATIONS

DRAWN BY:
DATE:
CHECKED BY: SS
DATE: 10/22/99
MODTECH Index No.

A3.0

PROJECT NO. PC-04-101419