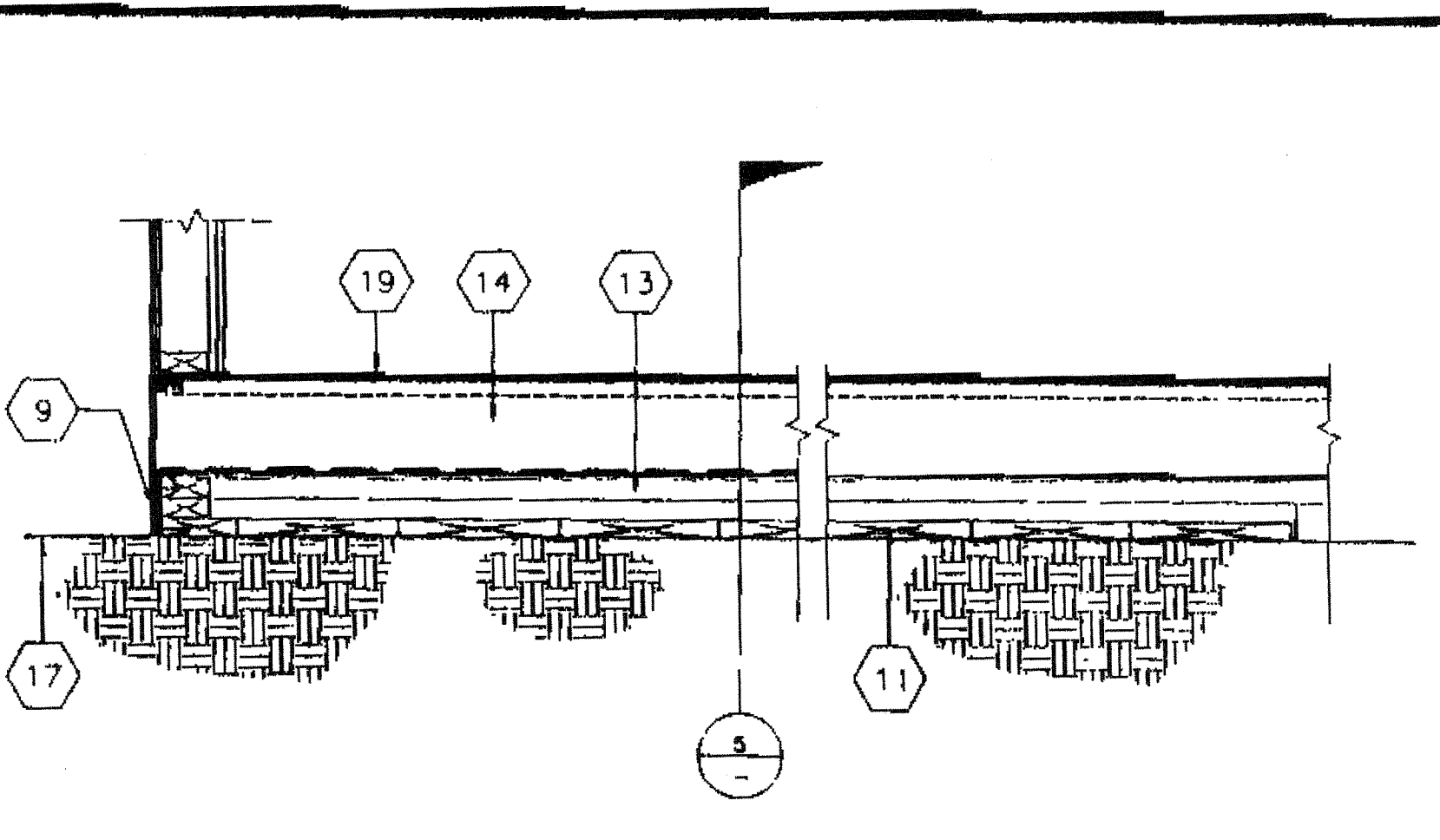
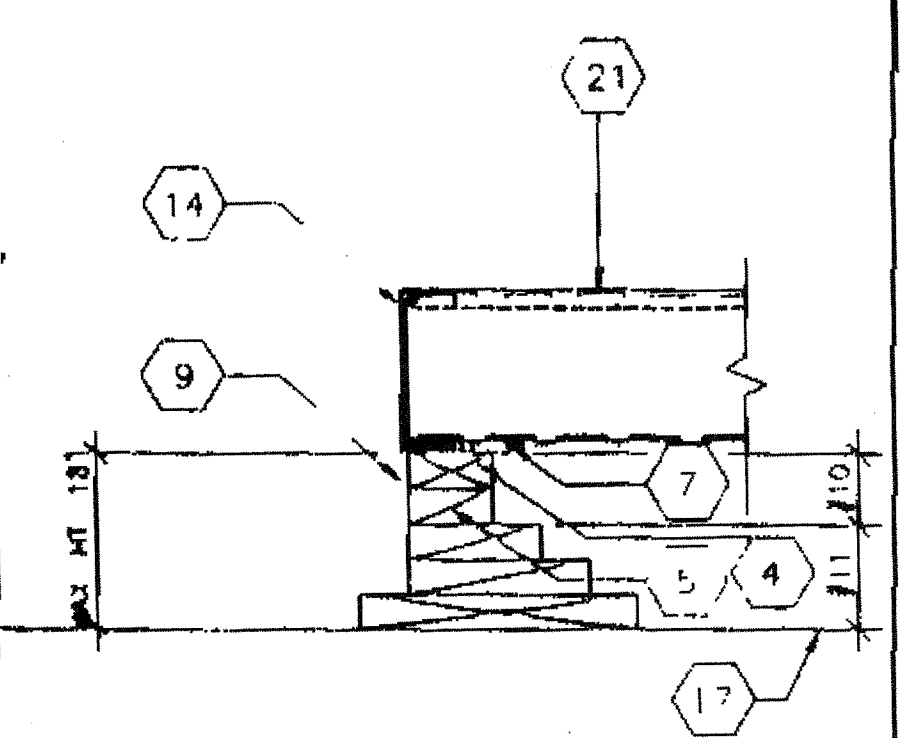


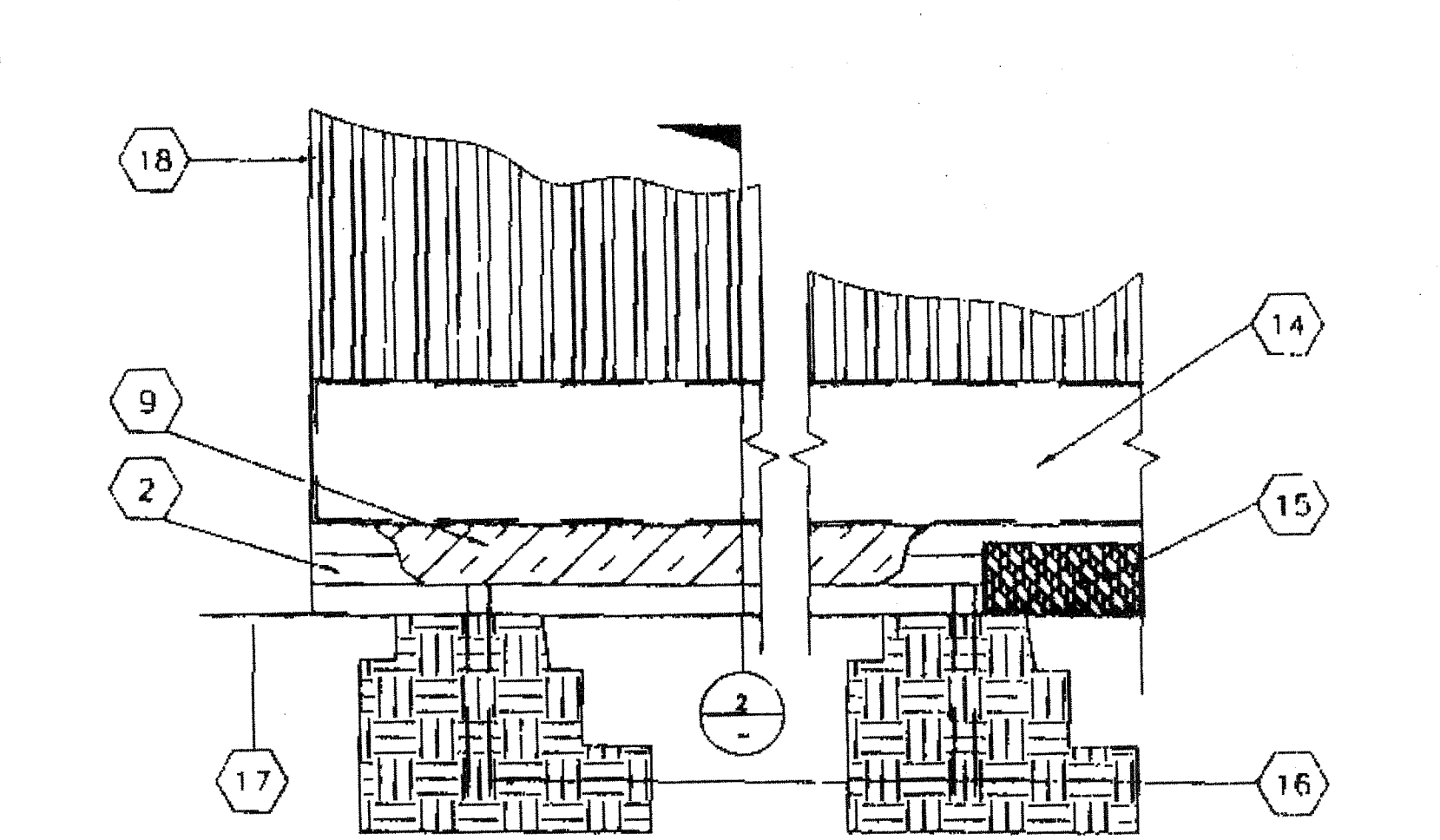
9 SCALE: 1 1/2"=1'-0"
ALTERNATE HOLD DOWN



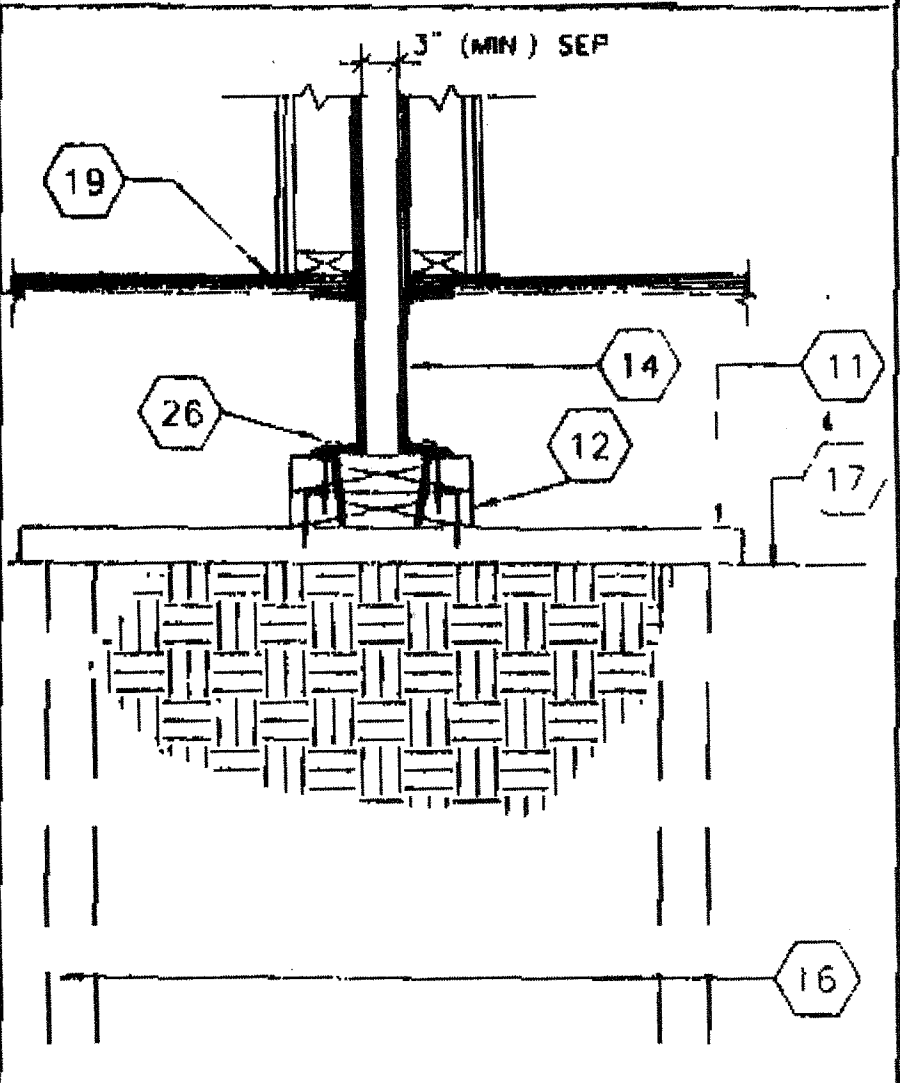
6 SCALE: 1 1/2"=1'-0"
MODLINE PAD @ END WALL



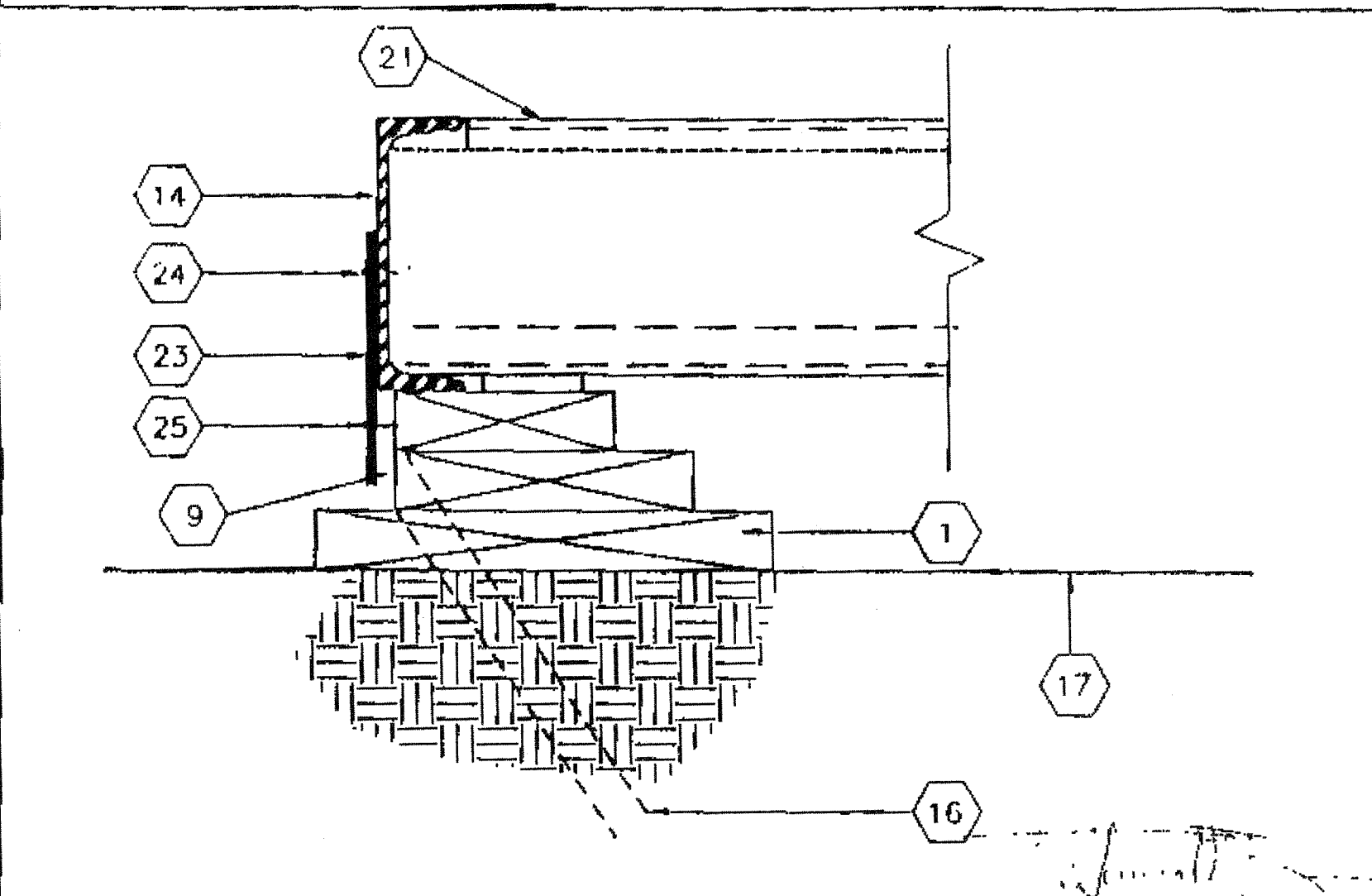
10 SCALE: 1 1/2"=1'-0"
ADD BLK'S/SHIMS TO LEVEL FOUND.



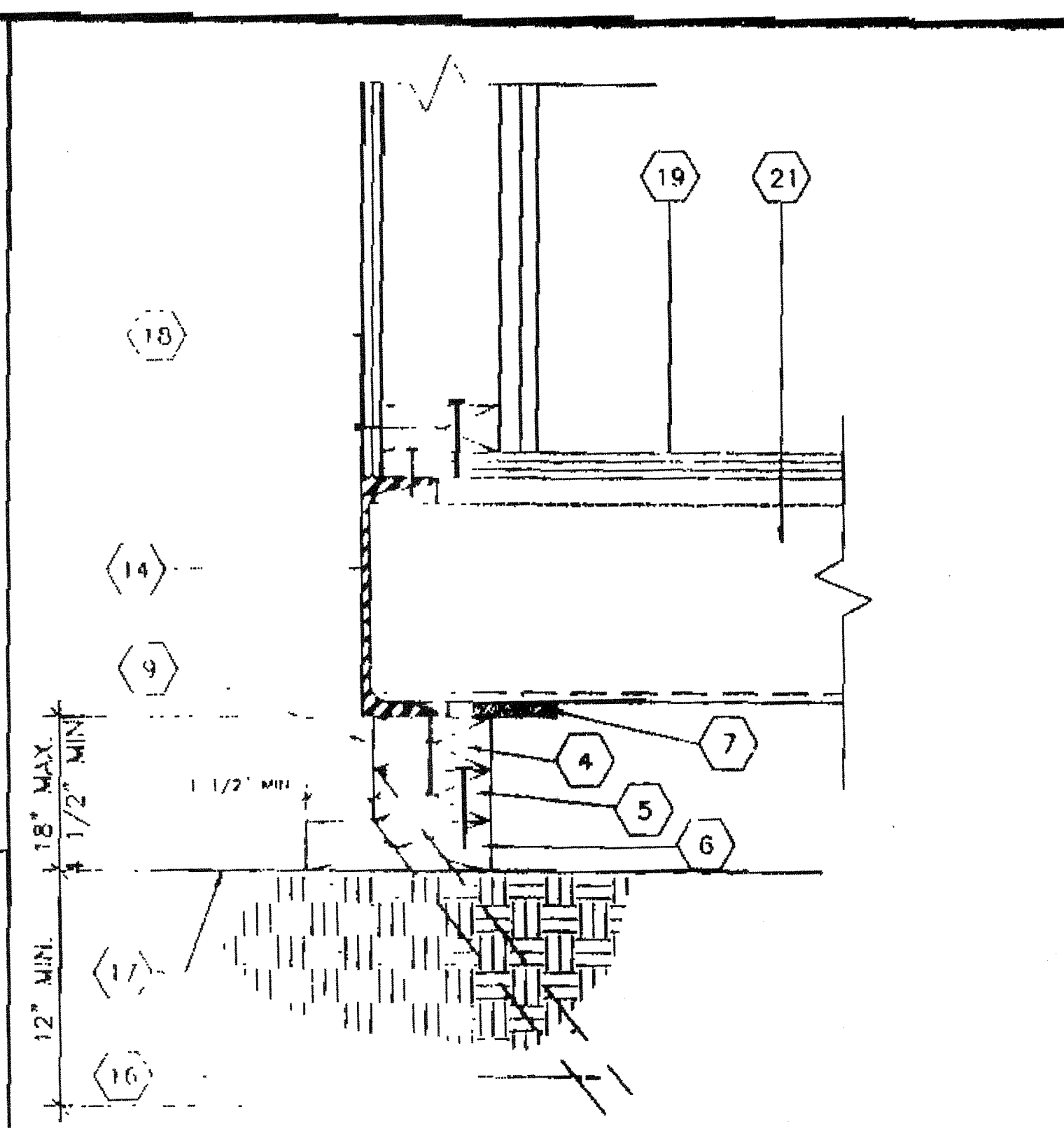
7 SCALE: 1 1/2"=1'-0"
FOUNDATION ELEVATION @ SIDE WALL



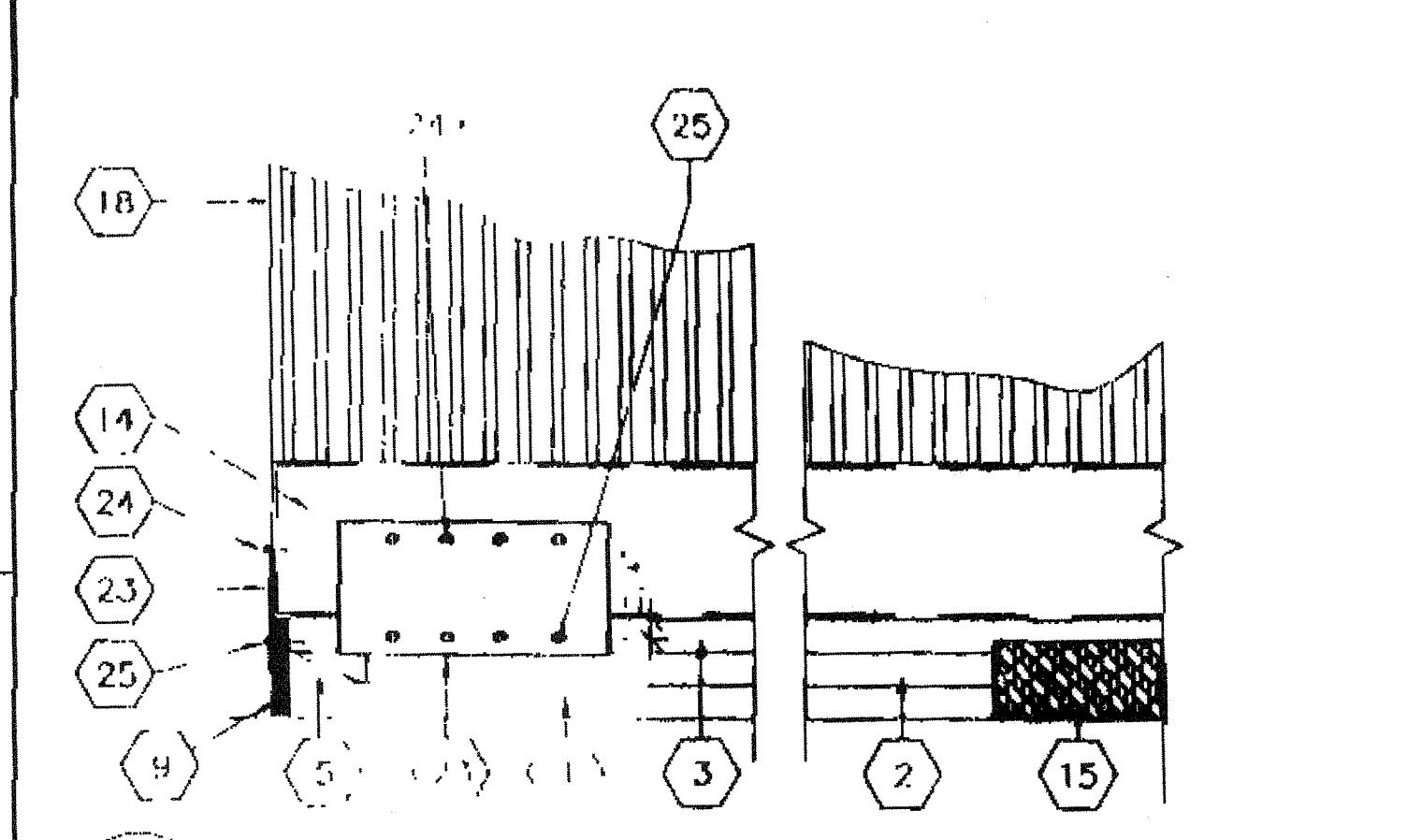
11 SCALE: 1 1/2"=1'-0"
FOUND. AT ADJ. BLDG



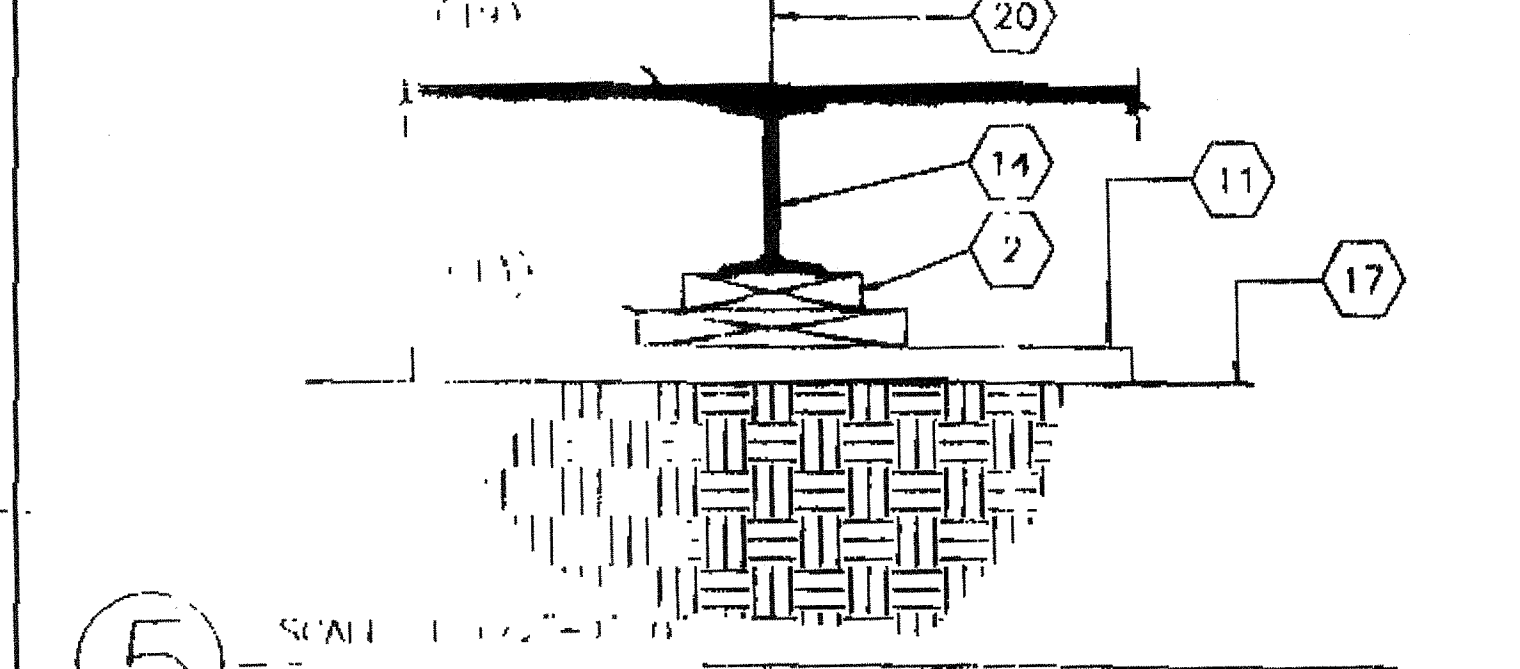
8 SCALE: 3"=1'-0"
TYPICAL TIE PLATE



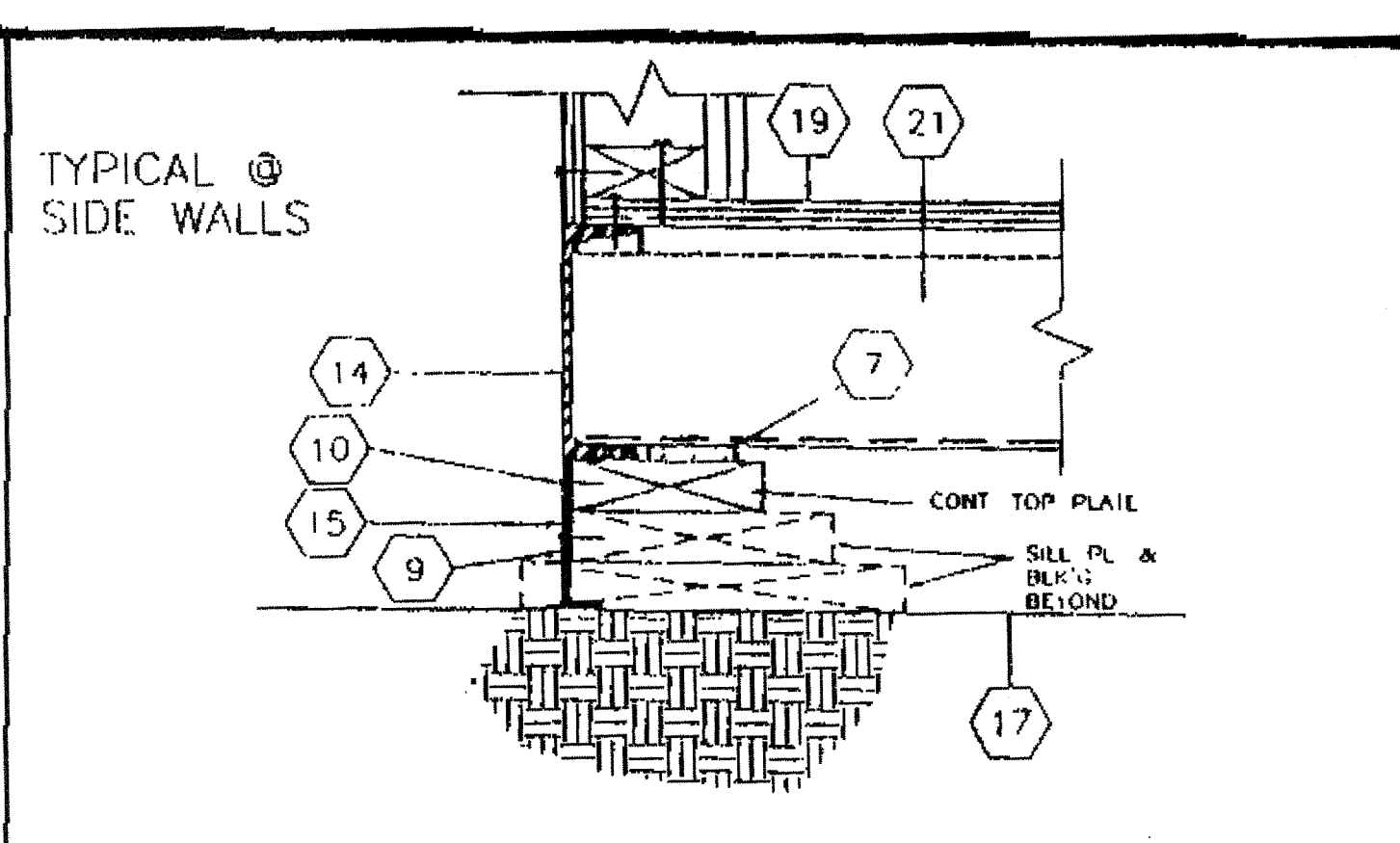
3 SCALE: 3"=1'-0"
FOUNDATION @ END WALL



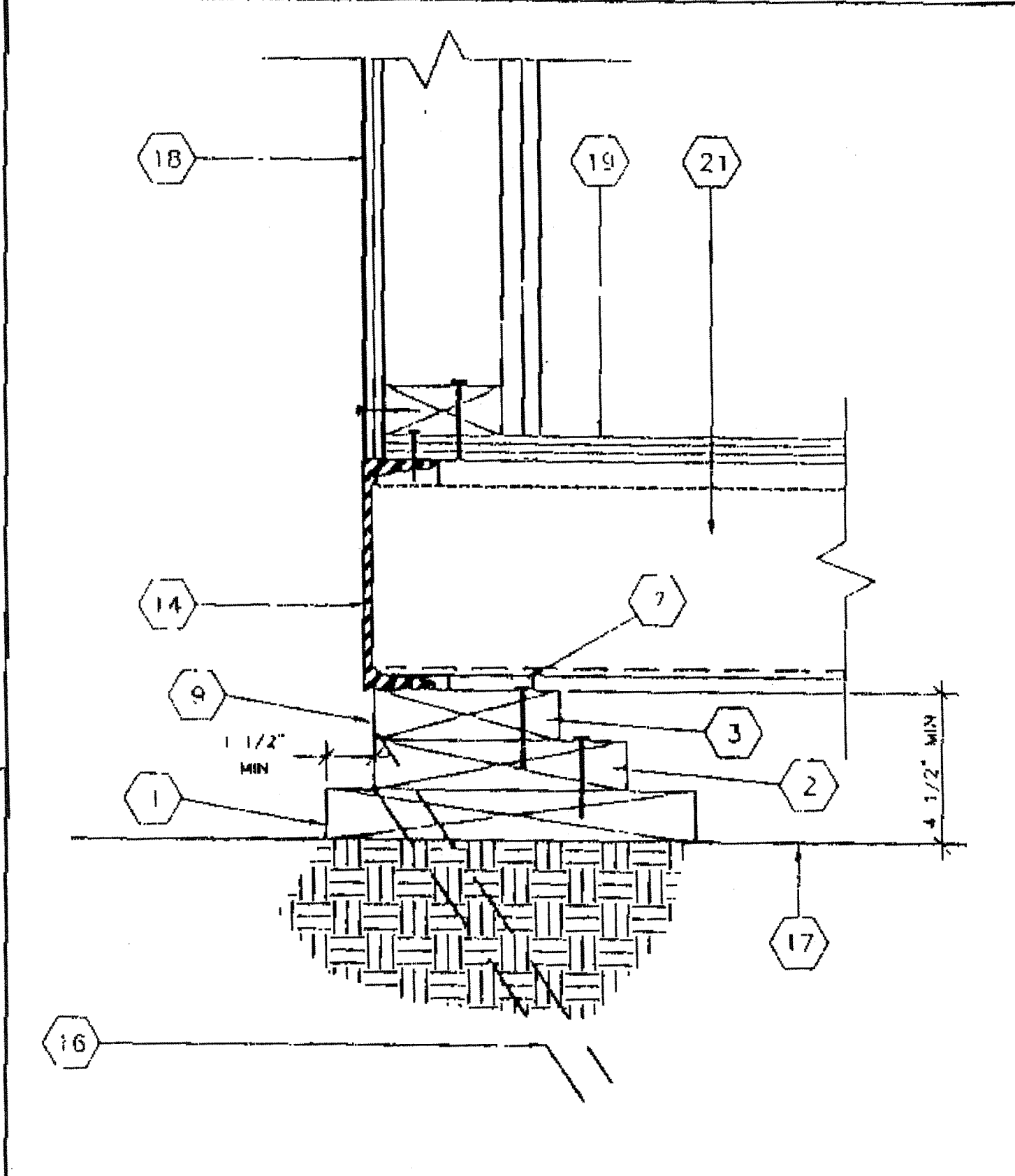
4 SCALE: 1 1/2"=1'-0"
DETAIL @ FOUNDATION CORNER



5 SCALE: 1 1/2"=1'-0"
FOUNDATION PAD @ MODLINE



1 SCALE: NTS
FOUNDATION VENT

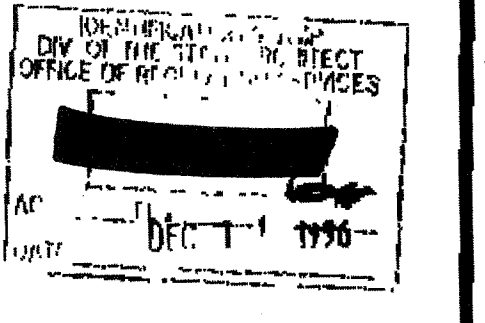


2 SCALE: 3"=1'-0"
FOUNDATION @ SIDE WALL

KEY NOTES

- 1 2X12 SILL PLATE SEE FOUND. PLAN FOR LENGTH
- 2 2X8 BLOCKING W/16d @ MAX 5" O.C. TO SILL PLATE
- 3 2X6 TOP PLATE W/16d @ MAX 5" O.C. TO BLOCKING
- 4 2X4 TOP PLATE W/16d @ MAX 5" O.C. TO BLOCKING
- 5 2X4 BLOCKING W/16d MAX 5" O.C. TO SILL PLATE
- 6 2X6 SILL PLATE SEE FOUND PLAN FOR LENGTH
- 7 5/8"x2 1/2" SHIM (WHEN REQ)
- 8 INSERT REQ'D 2X4 BLK'NG OR PLYWD. SHIM W/16d @ 12" O.C. FACE NAIL
- 9 OPTIONAL - MIN. 3/8" PLYWOOD SHIRTING W/ 10d @ MIN. 4" O.C. @ ENDWALLS & 6" O.C. @ SIDEWALLS E.N. & TYP. 12" O.C. FN. PLATE TO PLATE NAILING FOR THE FOUNDATION MEMBERS CAN BE DECREASED TO 12" O.C. AND FOUNDATION BLOCKING SHALL BE RECESSED SUCH THAT THE SKIRTING SHALL BE INSTALLED FLUSH WITH THE PERIMETER FLOOR CHANNEL.
- 10 10d GALV NAIL @ MAX. 4" O.C
- 11 2X12x2'-6" SILL PLATE SEE FOUND. PLAN FOR QUANTITY REQ'D
- 12 2 X 10 PLATES W/ 2-16D BOX @ 6" D.C.
- 13 2X10 BLK'NG FACE OR TOE NAIL 16d @ MAX 12" O.C. ADD BLKS. OR SHIMS AS REQ'D
- 14 FLOOR FRAME BEAM SEE STRUCTURAL
- 15 TYPICAL FOUNDATION VENT (SEE FOUNDATION PLAN FOR SIZES AND LOCATIONS).
- 16 SILL RESTRAINT 1" @ PIPE SEE FOUND FOR LOCATION
- 17 FINISH GRADE
- 18 EXTERIOR FINISH
- 19 PLYWOOD SUBFLOOR
- 20 MOD-LINE
- 21 FLOOR-JOIST
- 22 4"x12"x10 GA. PLATE
- 23 6"x12"x10 GA. PLATE
- 24 1/4" @ S.T.S. TYP. 4-PLACES
- 25 1/4" @ X3" LG. LAG SCREW TYP. 4-PLACES
- 26 5/8" @ X4" LAGS (FOR LOCATION SEE PLAN)

FOUNDATION LUMBER TO BE PRECUT AT FACTORY, LUMBER GRADES & PRESSURE TREATING TO BE VERIFIED BY INPLANT INSPECTOR



REVISIONS

ELECTRICAL	MECHANICAL	STRUCTURAL	ARCHITECT	DIVISION OF THE STATE ARCHITECT
				<p>REUSED</p> <p>11-775</p> <p>2-19-96</p>

MODTECH INC.
 2830 BARRETT AVE
 PERRIS, CA. 92512
 PH (909) 943-4014
 FX. (909) 940-0427

CONFIDENTIAL - THIS DOCUMENT AND THE INFORMATION CONTAINED HEREIN ARE THE PROPERTY OF MODTECH INC. UNAUTHORIZED COPYING, DISCLOSURE, OR OTHER UNAUTHORIZED USES ARE PROHIBITED.

JOB NO.	IDENTIFICATION STAMP DIV OF THE STATE ARCHITECT APP#3 117168 AC / FLS / SS / TV Date 11/9/2018	DRAWN BY	DATE
		CHECKED BY	DATE
FOUNDATION DETAILS		F3.0	